



US00D925251S

(12) **United States Design Patent** (10) **Patent No.:** **US D925,251 S**
Singh (45) **Date of Patent:** **** Jul. 20, 2021**

(54) **CUP HOLDER CUSHION**
(71) Applicant: **Mukul Singh**, Winnipeg (CA)
(72) Inventor: **Mukul Singh**, Winnipeg (CA)
(**) Term: **15 Years**
(21) Appl. No.: **29/719,407**
(22) Filed: **Jan. 3, 2020**
(51) **LOC (13) Cl.** **06-09**
(52) **U.S. Cl.**
USPC **D6/601**
(58) **Field of Classification Search**
USPC D6/333, 349, 355, 375, 388, 512, 563,
D6/564, 595, 596, 601, 604, 611, 707,
D6/715, 716, 716.1; D24/183-185, 234;
D21/803, 804, 805, 809; D7/619.1, 620;
D12/221, 419
CPC A47G 9/10; A47G 9/1009; A47G 9/1027;
A47G 9/1045; A47G 9/1063; A47G
9/1072; A47G 9/1081; B60N 3/10; B60N
3/101-103
See application file for complete search history.

D808,686 S * 1/2018 May D6/601
D823,654 S * 7/2018 Harris D7/707
D824,696 S * 8/2018 Green D6/601
10,343,576 B1 * 7/2019 Ortega Rojo B60N 3/102
D878,280 S * 3/2020 Furukawa D12/419
D897,791 S * 10/2020 Wesley D7/701
2016/0235560 A1 * 8/2016 Cespedes A61F 5/30
2018/0370428 A1 * 12/2018 Umeda B60N 3/101
2019/0193618 A1 * 6/2019 Medoro B60N 3/101
2020/0094723 A1 * 3/2020 Li B60N 3/103
2021/0022542 A1 * 1/2021 Rossetto A47J 31/0663

* cited by examiner

Primary Examiner — Jennifer L Rempfer

(57) **CLAIM**

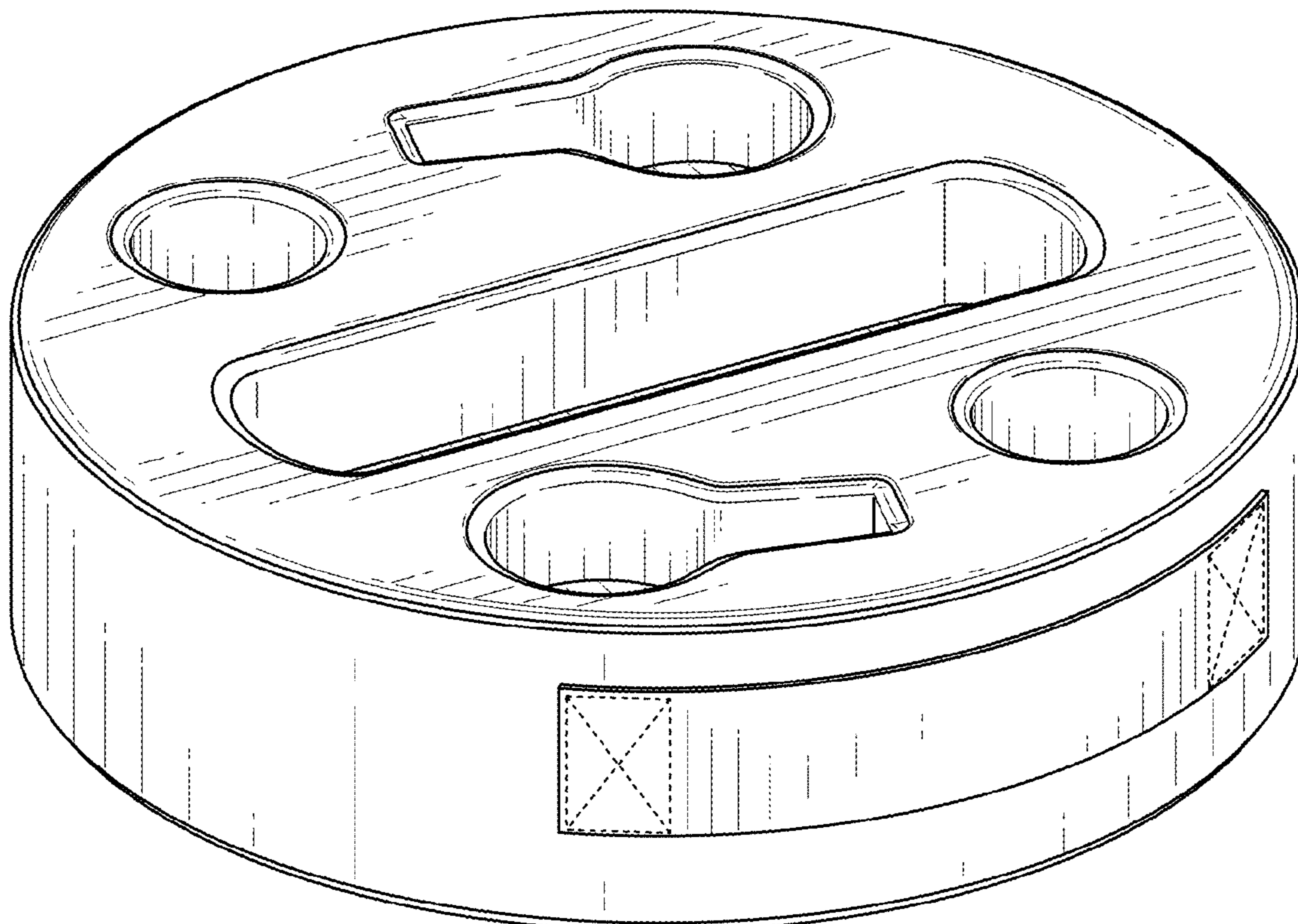
The ornamental design of the cup holder cushion, as shown and described.

DESCRIPTION

FIG. 1 is a perspective view from above and to the side of the cup holder cushion
FIG. 2 is a front view thereof;
FIG. 3 is a back view thereof;
FIG. 4 is a left side view thereof;
FIG. 5 is a right side view thereof;
FIG. 6 is a top view thereof; and,
FIG. 7 is a bottom view thereof.
The broken lines represent features that form no part of the claim.

1 Claim, 5 Drawing Sheets

(56) **References Cited**
U.S. PATENT DOCUMENTS
D583,180 S * 12/2008 Haile D6/601
D656,356 S * 3/2012 Cheng D6/601
9,365,146 B1 * 6/2016 Allen F25D 31/005
D794,356 S * 8/2017 McWilliams D6/601



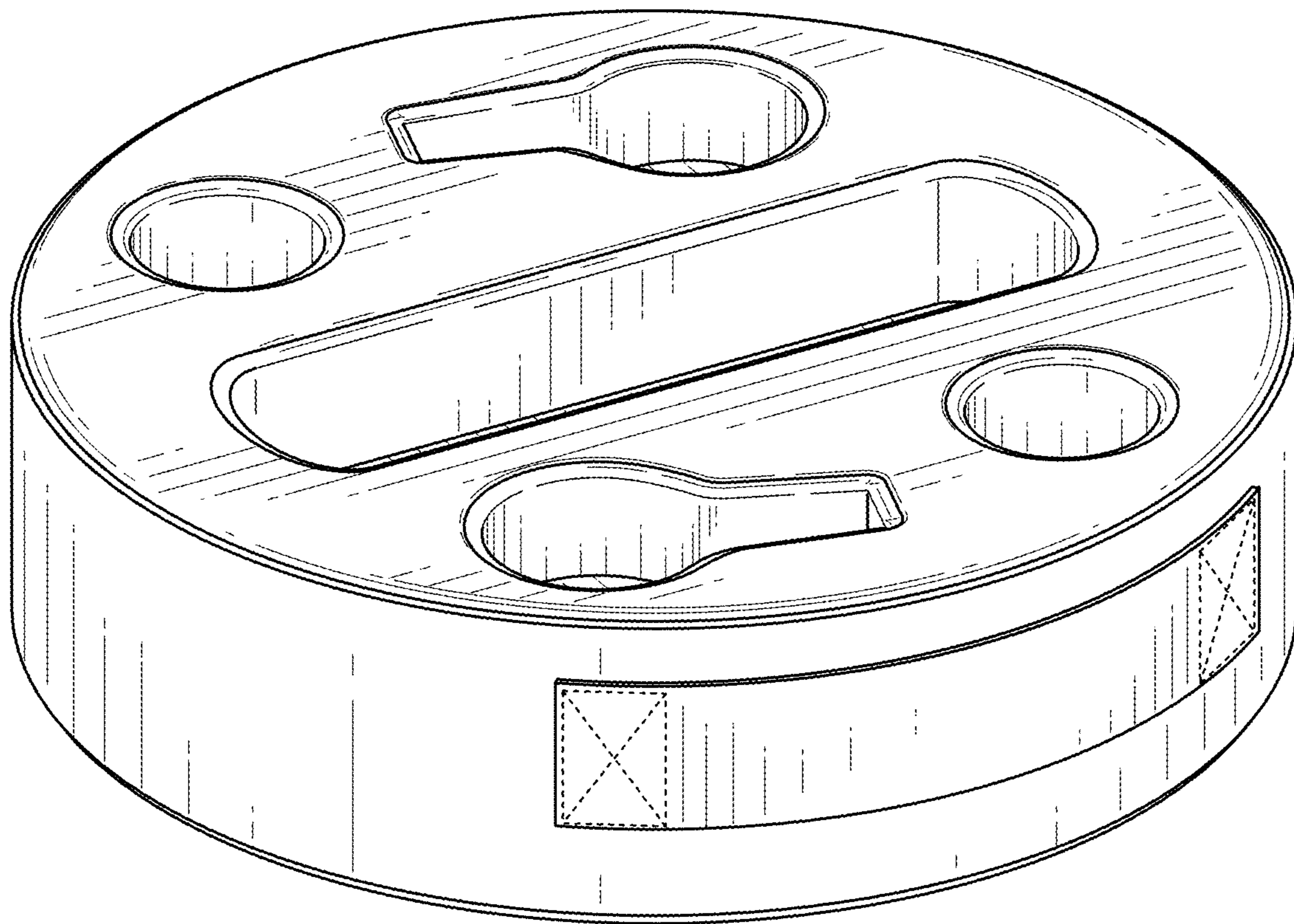


FIG. 1



FIG. 2

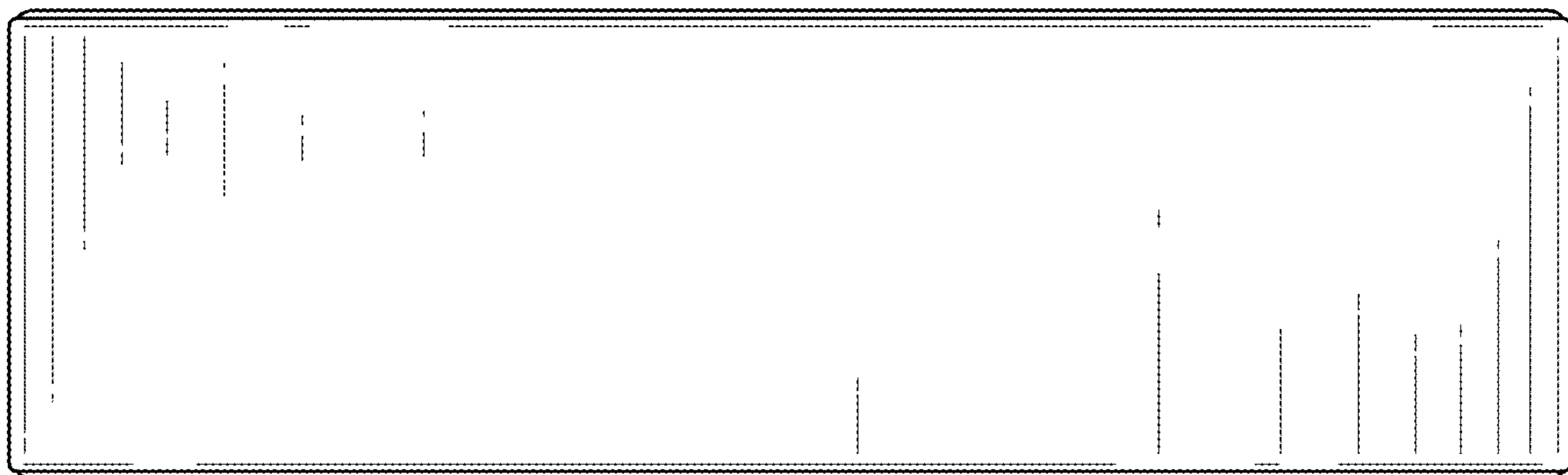


FIG. 3

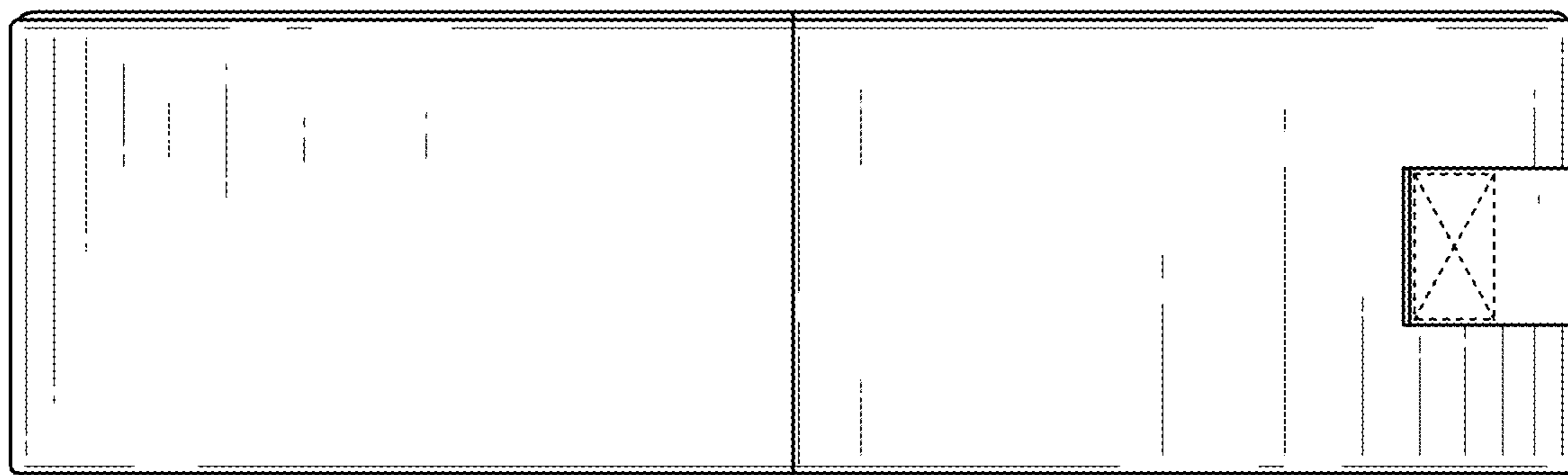


FIG. 4

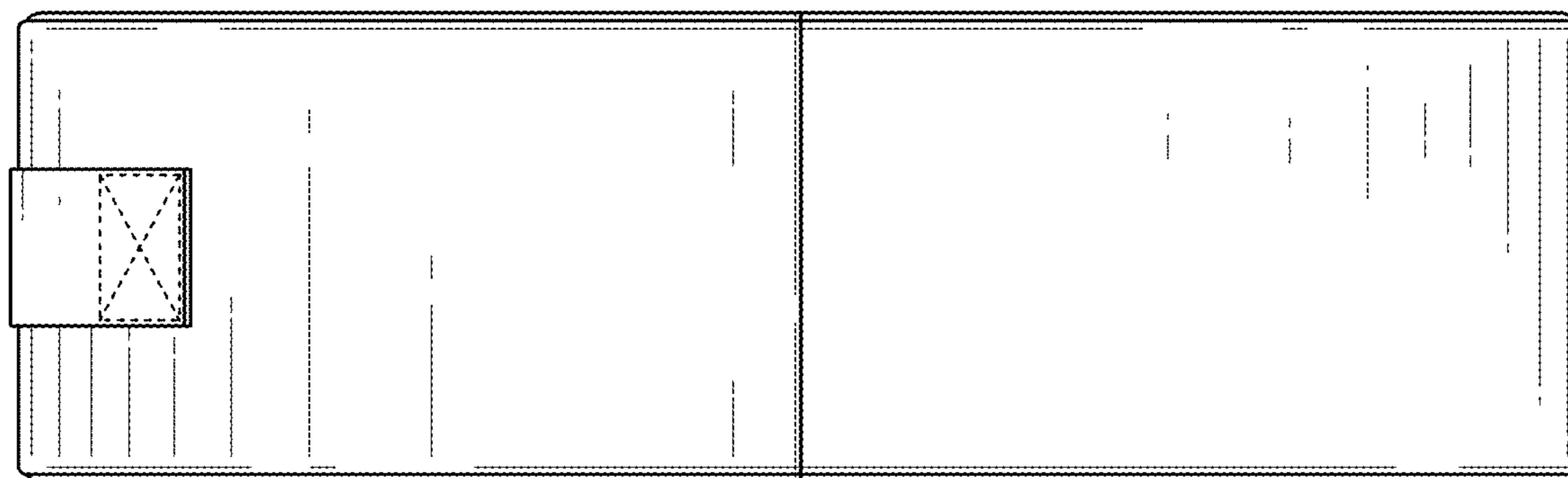


FIG. 5

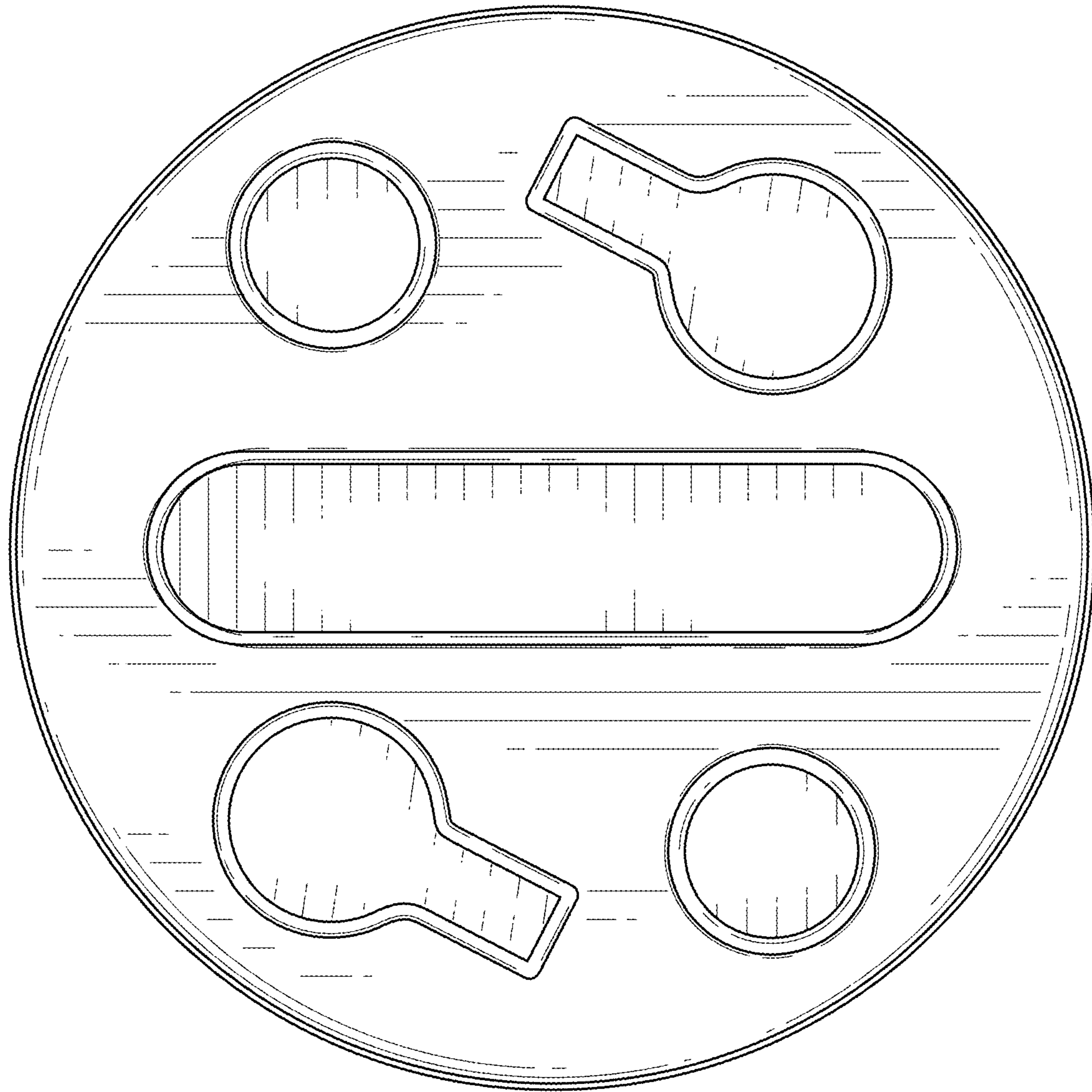


FIG. 6

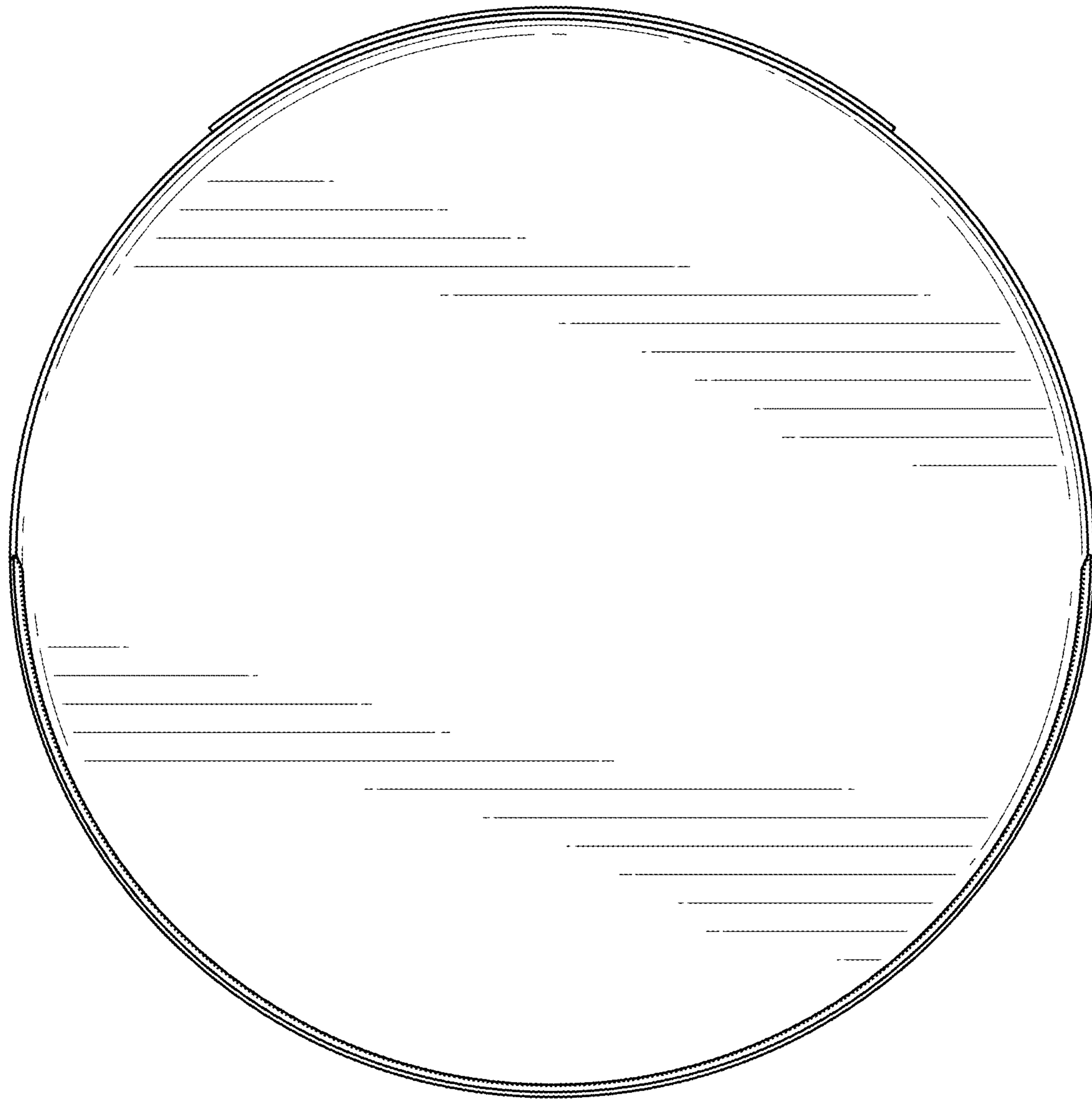


FIG. 7