



US00D925247S

(12) **United States Design Patent** (10) **Patent No.:** **US D925,247 S**
Kimberley et al. (45) **Date of Patent:** **** Jul. 20, 2021**

(54) **BICYCLE STORAGE RACK**
(71) Applicant: **PFL Spaces International Pty. Ltd.**,
Brisbane (AU)
(72) Inventors: **Josh Kimberley**, Brisbane (AU); **Mark Rossiter**, Brisbane (AU); **Simon Terry**,
Brisbane (AU)
(73) Assignee: **PFL SPACES INTERNATIONAL PTY. LTD.**, Brisbane (AU)

D765,550 S * 9/2016 Paz D12/115
D774,423 S * 12/2016 Greenblatt D12/115
D774,441 S * 12/2016 Greenblatt D12/407
D780,641 S * 3/2017 Sagen D12/115
D849,603 S * 5/2019 Luyet D12/115
10,501,023 B1 * 12/2019 Mayers B60R 9/06
D915,103 S * 4/2021 Peter, II D6/552
2002/0195473 A1 * 12/2002 Fournier B60R 9/10
224/502
2014/0083960 A1 * 3/2014 Weeks B62H 3/08
211/20

* cited by examiner

(**) Term: **15 Years**
(21) Appl. No.: **29/730,540**
(22) Filed: **Apr. 6, 2020**

Primary Examiner — Jennifer L Rempfer
(74) Attorney, Agent, or Firm — Tucker Ellis LLP

(30) **Foreign Application Priority Data**

Oct. 8, 2019 (AU) 201915826

(51) **LOC (13) Cl.** **08-08**

(52) **U.S. Cl.**
USPC **D6/552**

(58) **Field of Classification Search**
USPC D5/552; D21/803, 809
CPC B60G 2403/412; B60G 2204/4192; B61B
13/102; B62B 7/126
See application file for complete search history.

(56) **References Cited**

U.S. PATENT DOCUMENTS

6,427,854 B1 * 8/2002 Grossi B60R 9/06
211/85.7
D665,709 S * 8/2012 Longfellow D12/115
D689,410 S * 9/2013 Nadel D12/115
D754,032 S * 4/2016 Meredith D12/115

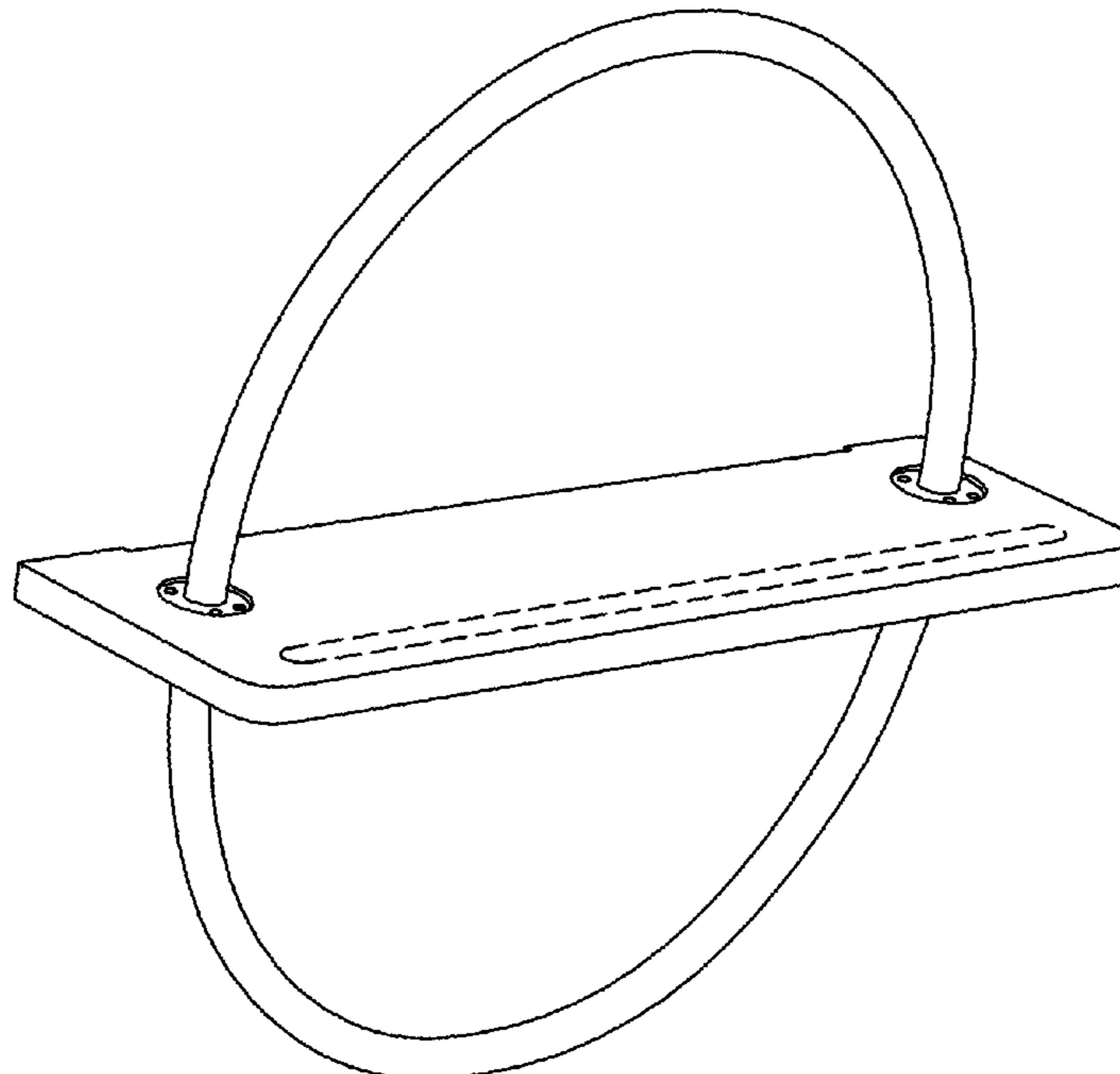
(57) **CLAIM**

The ornamental design for a bicycle storage rack, as shown and described.

DESCRIPTION

FIG. 1 is a perspective view of a bicycle storage rack showing our new design;
FIG. 2 is a top view thereof;
FIG. 3 is a front view thereof;
FIG. 4 is a right side view thereof, a left side view being a mirror image of the right side view; and,
FIG. 5 is a perspective view of the bicycle storage rack in an exemplary environment therefor.
The broken lines in FIGS. 1, 2 and 5 on the platform portion of the bicycle storage rack are for the purpose of illustrating a portion of the bicycle storage rack that forms no part of the claimed design. The remaining broken lines in FIG. 5 illustrating bicycles are for the purpose of showing an exemplary environment for the bicycle storage rack that forms no part of the claimed design.

1 Claim, 4 Drawing Sheets



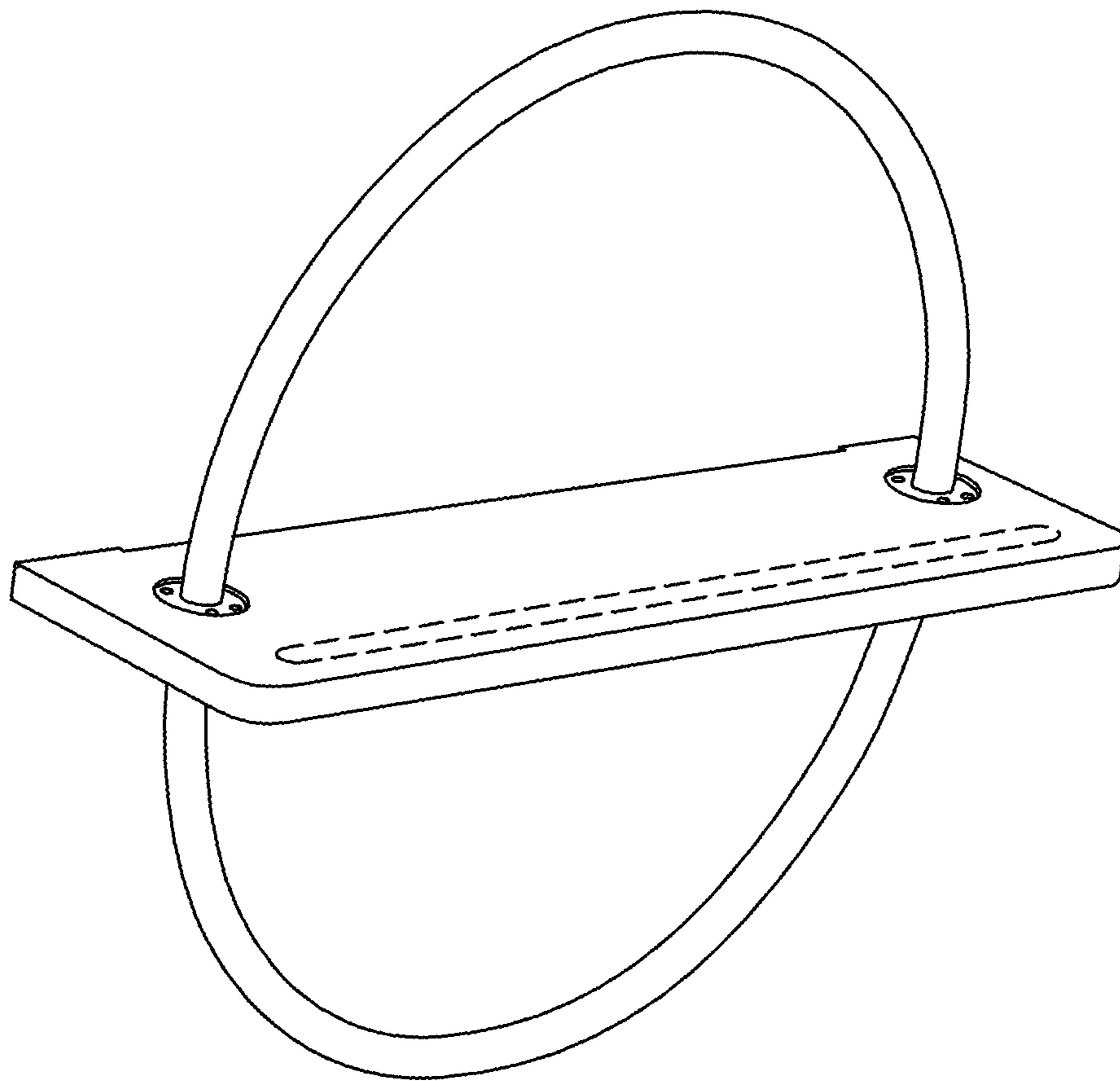


FIG. 1

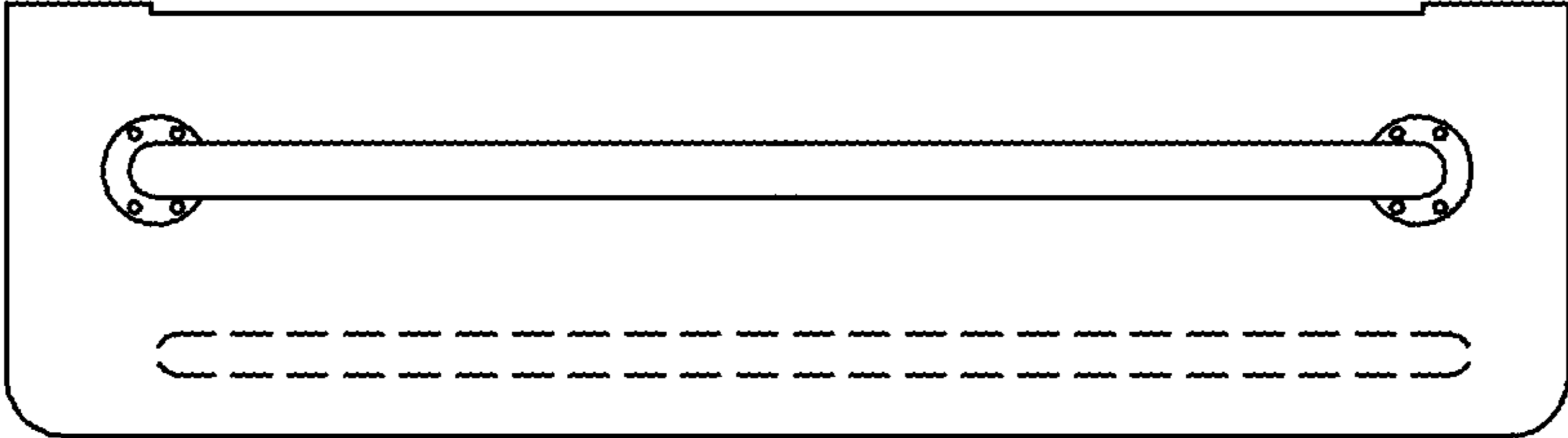


FIG. 2

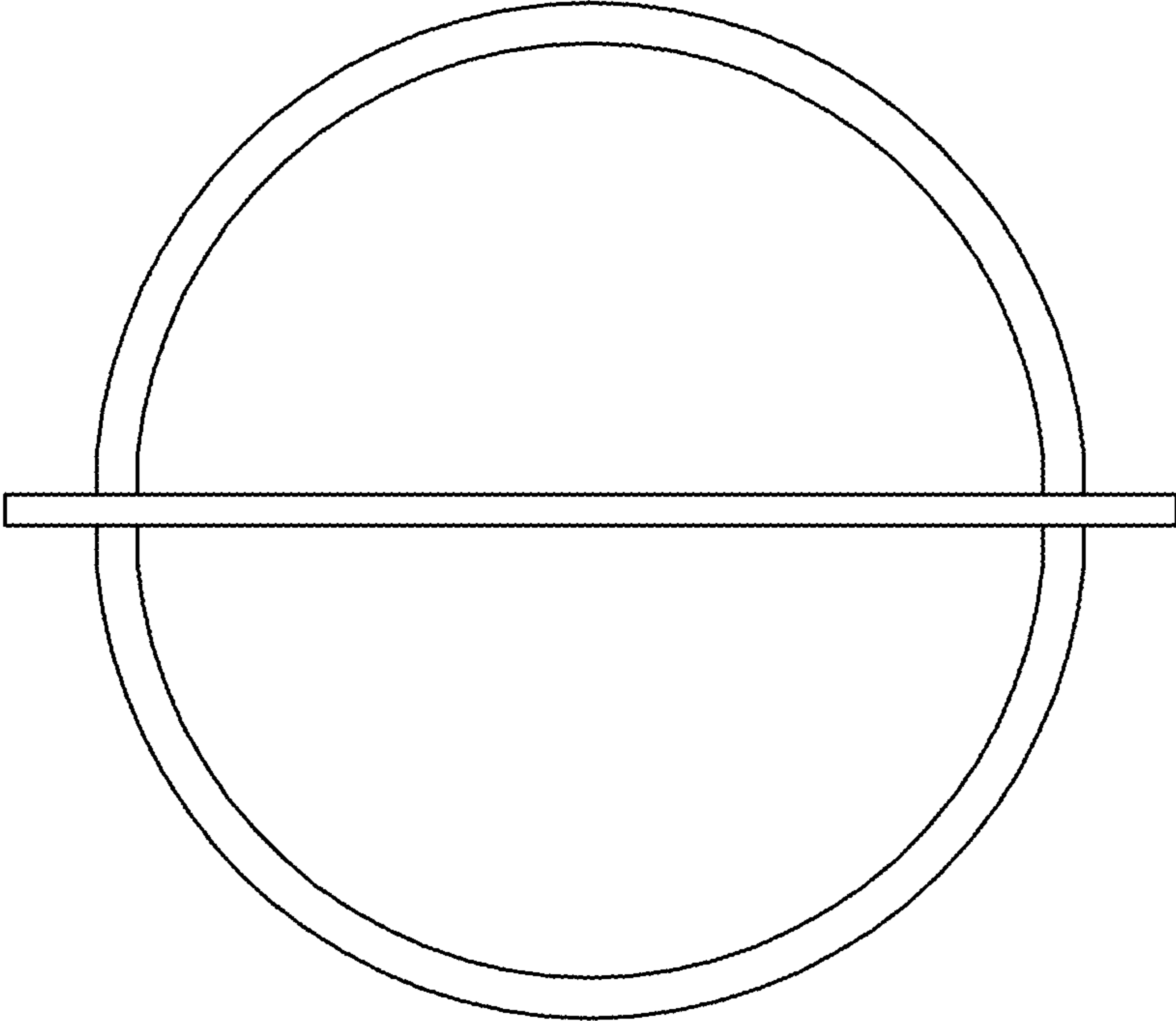


FIG. 3

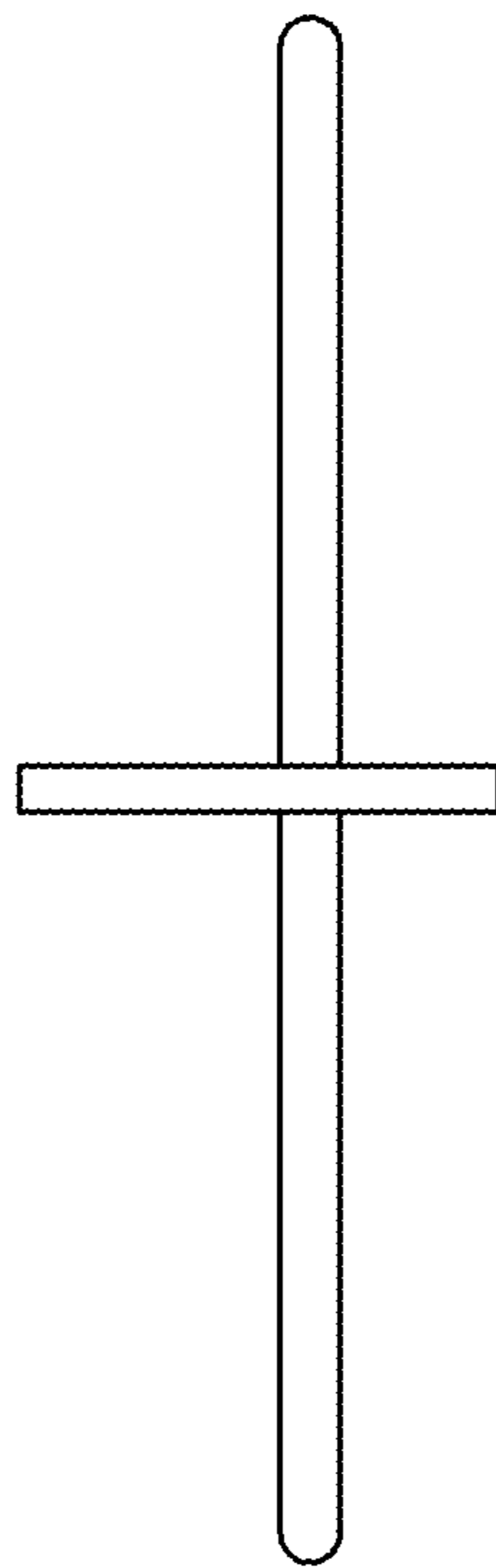


FIG. 4

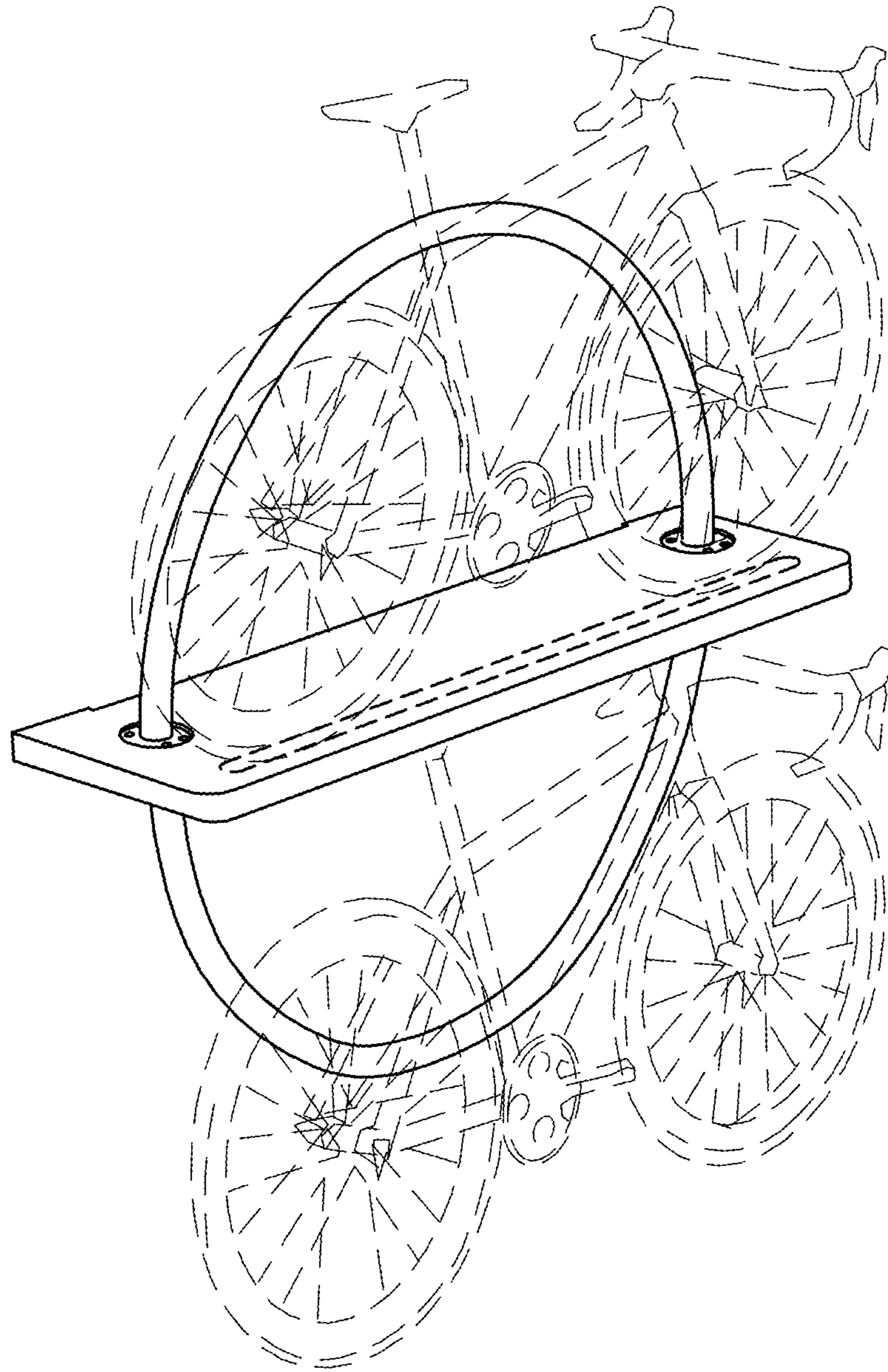


FIG. 5