



US00D925242S

(12) **United States Design Patent**
Smrstick

(10) **Patent No.:** **US D925,242 S**

(45) **Date of Patent:** **** Jul. 20, 2021**

(54) **LOUNGER**

(71) Applicant: **Blu Dot Design & Manufacturing, Inc.**, Minneapolis, MN (US)

(72) Inventor: **Scott Smrstick**, Minneapolis, MN (US)

(73) Assignee: **Blu Dot Design & Manufacturing, Inc.**, Minneapolis, MN (US)

(**) Term: **15 Years**

(21) Appl. No.: **29/691,304**

(22) Filed: **May 15, 2019**

(51) **LOC (13) Cl.** **06-01**

(52) **U.S. Cl.**
USPC **D6/361**

(58) **Field of Classification Search**
USPC D6/334-336, 347, 348, 361, 363, 368,
D6/601, 716-176.6
CPC A47C 4/12; A47C 4/14; A47C 4/20; A47C
4/28; A47C 4/30; A47C 4/42; A47C 7/50;
A47C 7/54; A47C 7/506; A47C 1/143;
A47C 1/043; A47C 4/06

See application file for complete search history.

(56) **References Cited**

U.S. PATENT DOCUMENTS

3,698,764	A *	10/1972	Geddings	A47C 1/036 297/356
4,264,102	A *	4/1981	Sroub	A47C 1/143 297/21
D259,679	S *	6/1981	Sroub	D6/361
D268,235	S *	3/1983	Bergquist	D6/361
D274,199	S *	6/1984	Saiger	D6/361
D279,240	S *	6/1985	Jernigan	D6/361
D281,037	S *	10/1985	Parker	D6/361
D284,143	S *	6/1986	Vanderminden	D6/361
D296,849	S *	7/1988	Cronk	D6/361
D306,804	S *	3/1990	Frinier	D6/361
5,078,451	A *	1/1992	Sobel	A47C 1/14 248/425

D426,393	S *	6/2000	Saad Rionda	D6/361
D439,427	S *	3/2001	Vanderbyl	D6/361
D439,757	S *	4/2001	Saad Rionda	D6/361
D545,075	S *	6/2007	Hunziker	D6/361
D657,150	S *	4/2012	Hughes	D6/361
D707,458	S *	6/2014	Doyle	D6/361

(Continued)

OTHER PUBLICATIONS

Blu Dot Catalog No. 16, Designed in Minneapolis, Minnesota, published 2015, 44 pgs.

(Continued)

Primary Examiner — Jennifer L Rempfer

(74) *Attorney, Agent, or Firm* — Fredrikson & Byron, P.A.

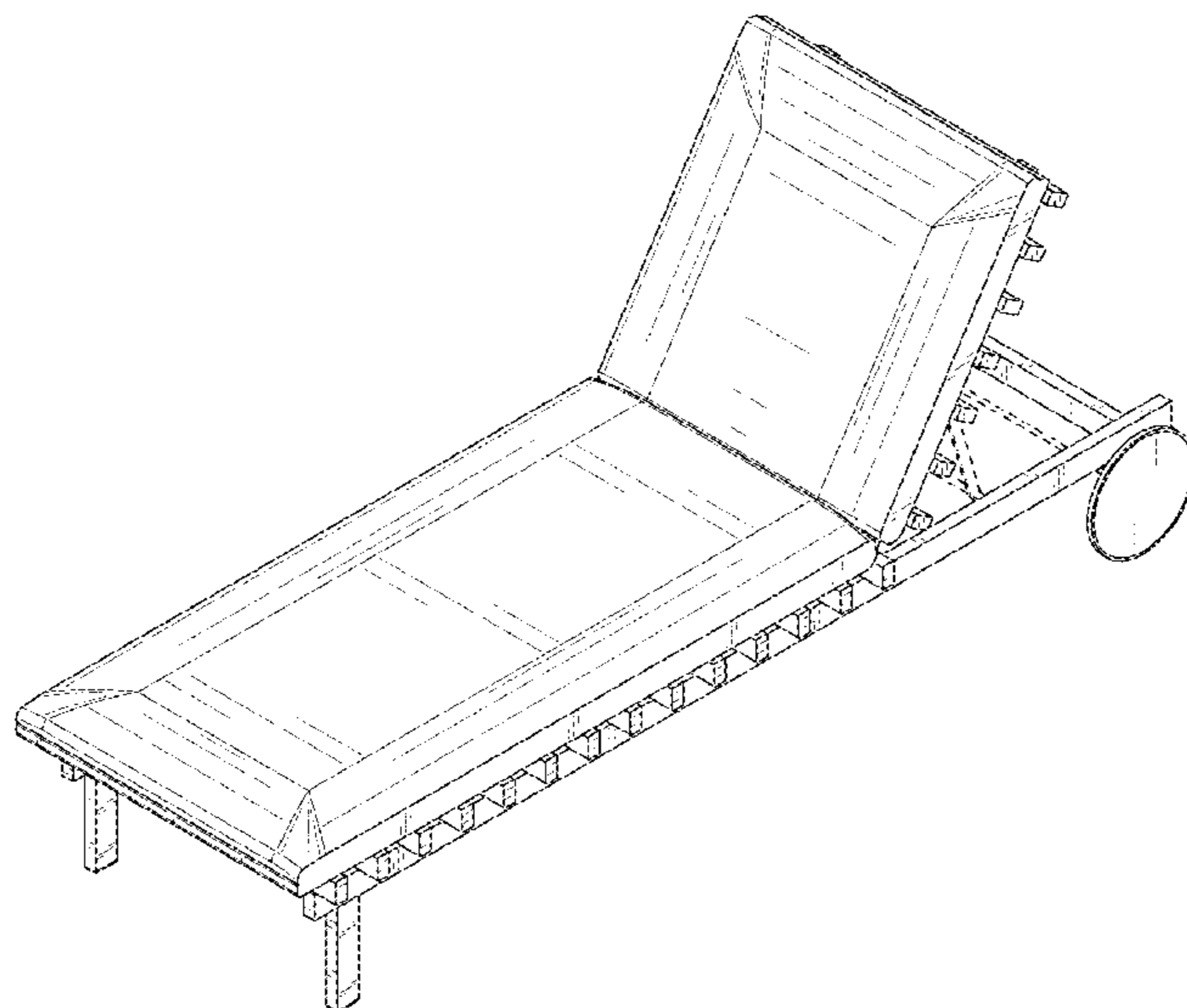
(57) **CLAIM**

Applicant claims the ornamental design for a lounger, as shown and described.

DESCRIPTION

FIG. 1 is a front upper perspective view of a lounger of Applicant's design;
 FIG. 2 is a front elevational view thereof;
 FIG. 3 is a rear elevational view thereof;
 FIG. 4 is a first side elevational view thereof;
 FIG. 5 is a second side elevational view thereof, the second side elevational view being opposite the first side elevational view;
 FIG. 6 is a top plan view thereof;
 FIG. 7 is a bottom plan view thereof;
 FIG. 8 is a second front upper perspective view thereof shown in an alternate configuration of use; and,
 FIG. 9 is a third front upper perspective view thereof shown in a second alternate configuration of use.
 Where included, broken lines showing environment or structure are for illustrative purposes only and form no part of the claimed design.

1 Claim, 9 Drawing Sheets



(56)

References Cited

U.S. PATENT DOCUMENTS

D734,047 S * 7/2015 Vanderminden D6/361
D823,014 S * 7/2018 Guggenbichler D6/361
D825,213 S * 8/2018 Sagnier D6/361
2011/0049957 A1* 3/2011 Luwisch A47C 1/0244
297/377

OTHER PUBLICATIONS

Blu Dot Catalog No. 17, Designed in Minneapolis, Minnesota, published 2015, 52 pgs.

Blu Dot Catalog No. 18, Designed in Minneapolis, Minnesota, published 2016, 51 pgs.

Blu Dot Catalog No. 19, Designed in Minneapolis, Minnesota, published 2016, 54 pgs.

Blu Dot Catalog No. 21, Cat 17F-Book A, Designed in Minneapolis, Minnesota, Applicant believes reference was published and available more than one year prior to the filing date of the instant application, 51 pgs.

Blu Dot Catalog No. 21, Cat 17F-Book B, Designed in Minneapolis, Minnesota, Applicant believes reference was published and available more than one year prior to the filing date of the instant application, 51 pgs.

Blu Dot Catalog No. 22, Cat 18S-Book B, Designed in Minneapolis, Minnesota, Applicant believes reference was published and available more than one year prior to the filing date of the instant application, 33 pgs.

Blu Dot Catalog No. 22, Cat18Sm_RGB, Designed in Minneapolis, Minnesota, Applicant believes reference was published and available more than one year prior to the filing date of the instant application, 33 pgs.

* cited by examiner

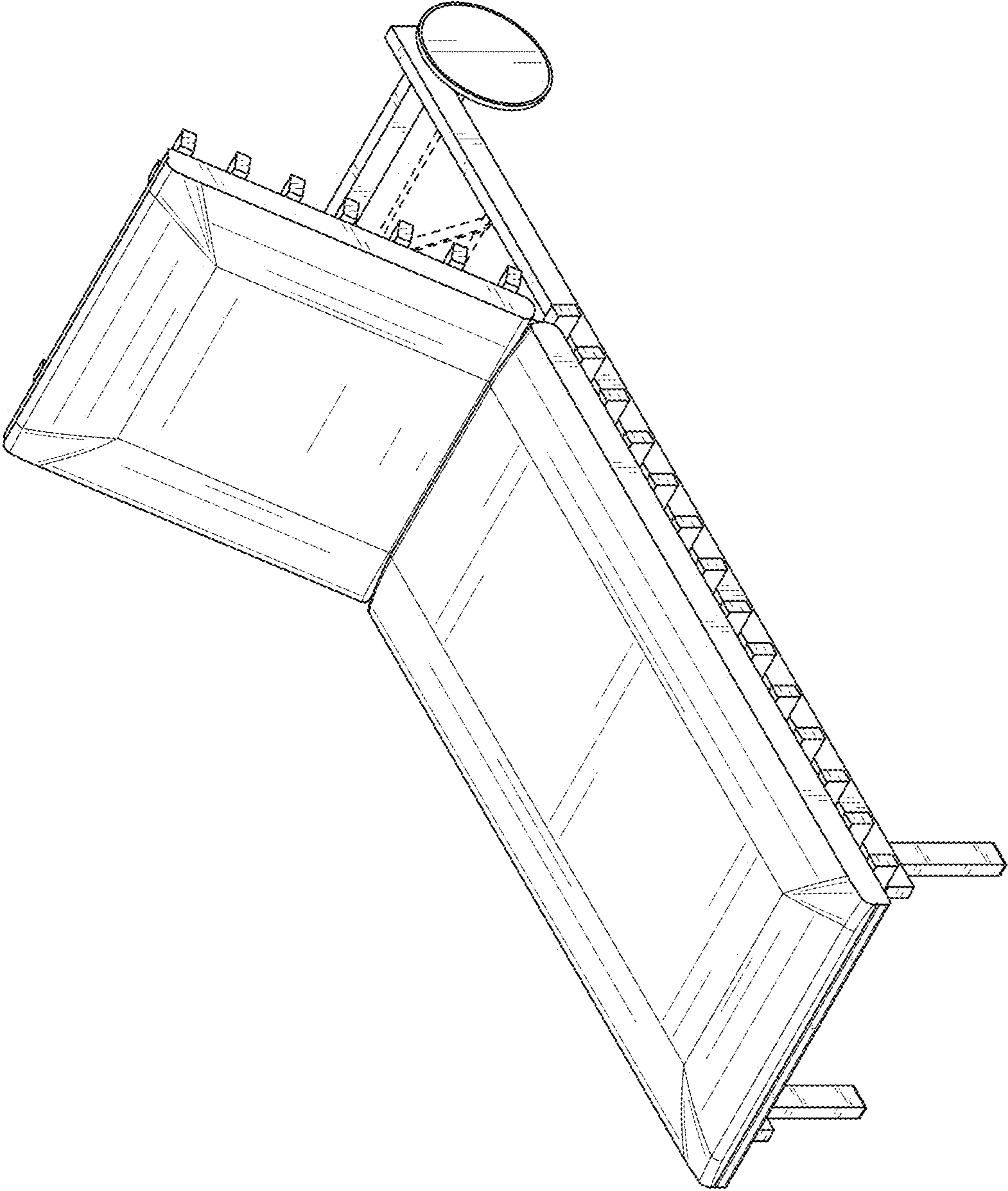


FIG. 1

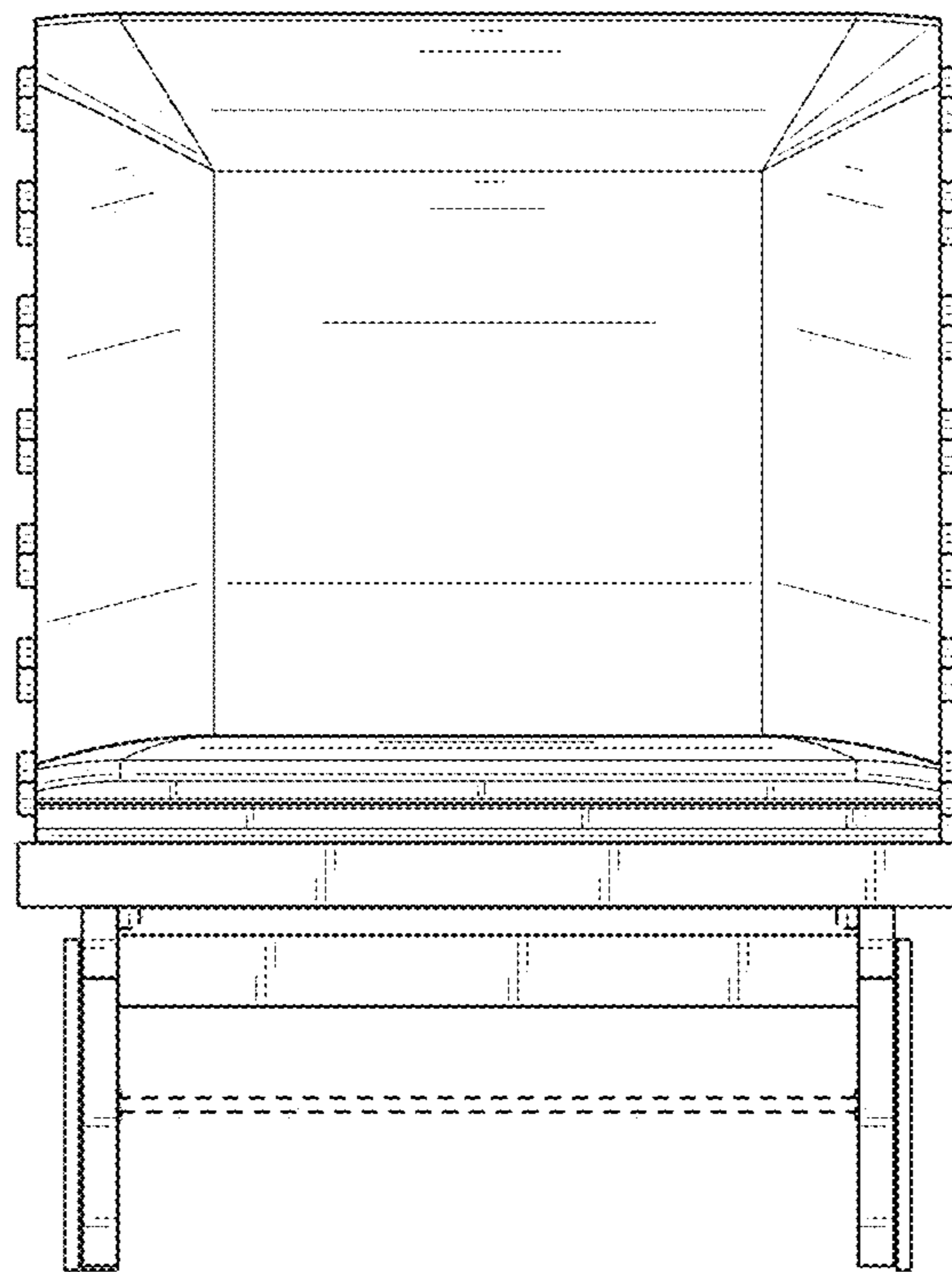


FIG. 2

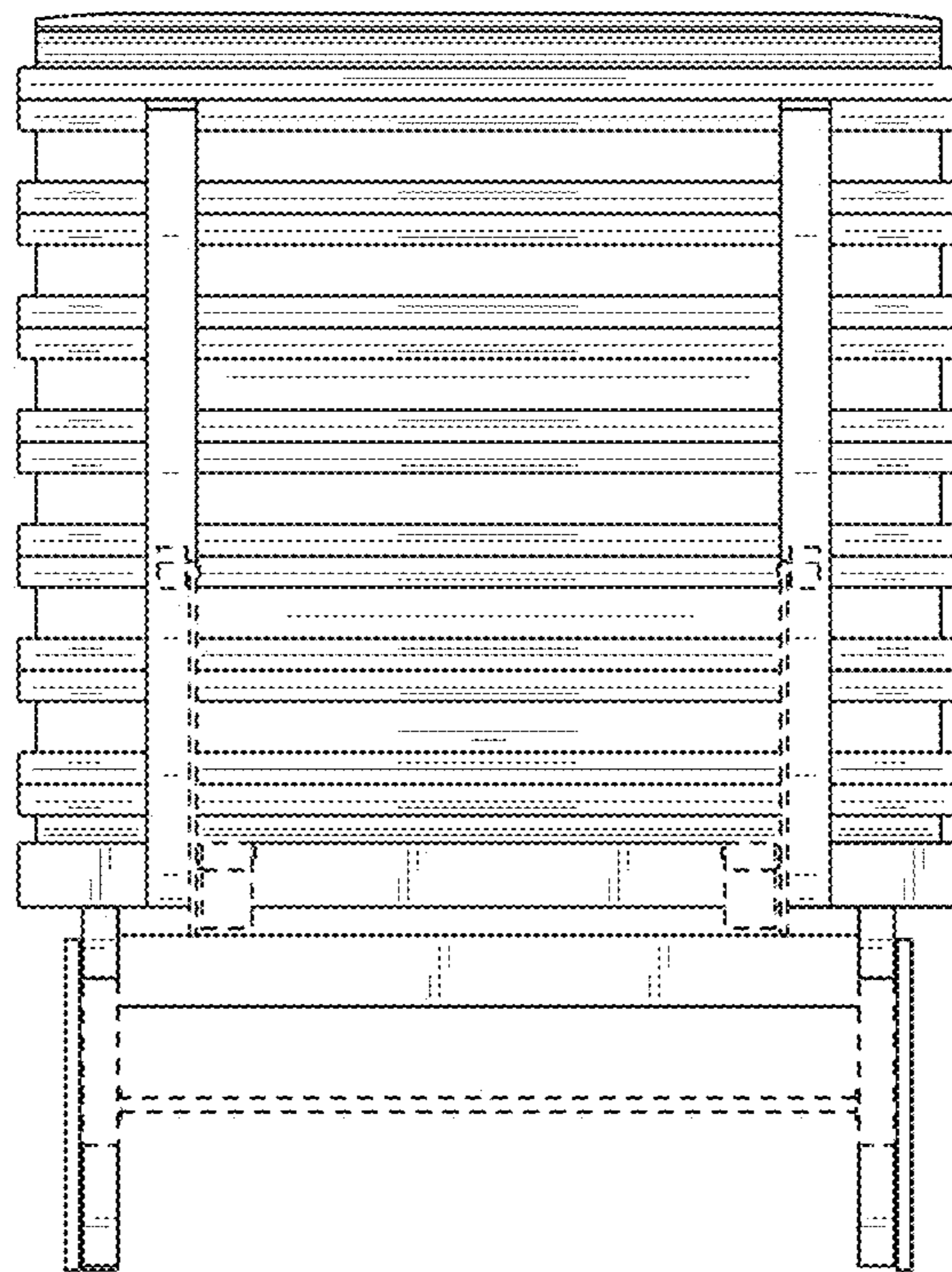


FIG. 3

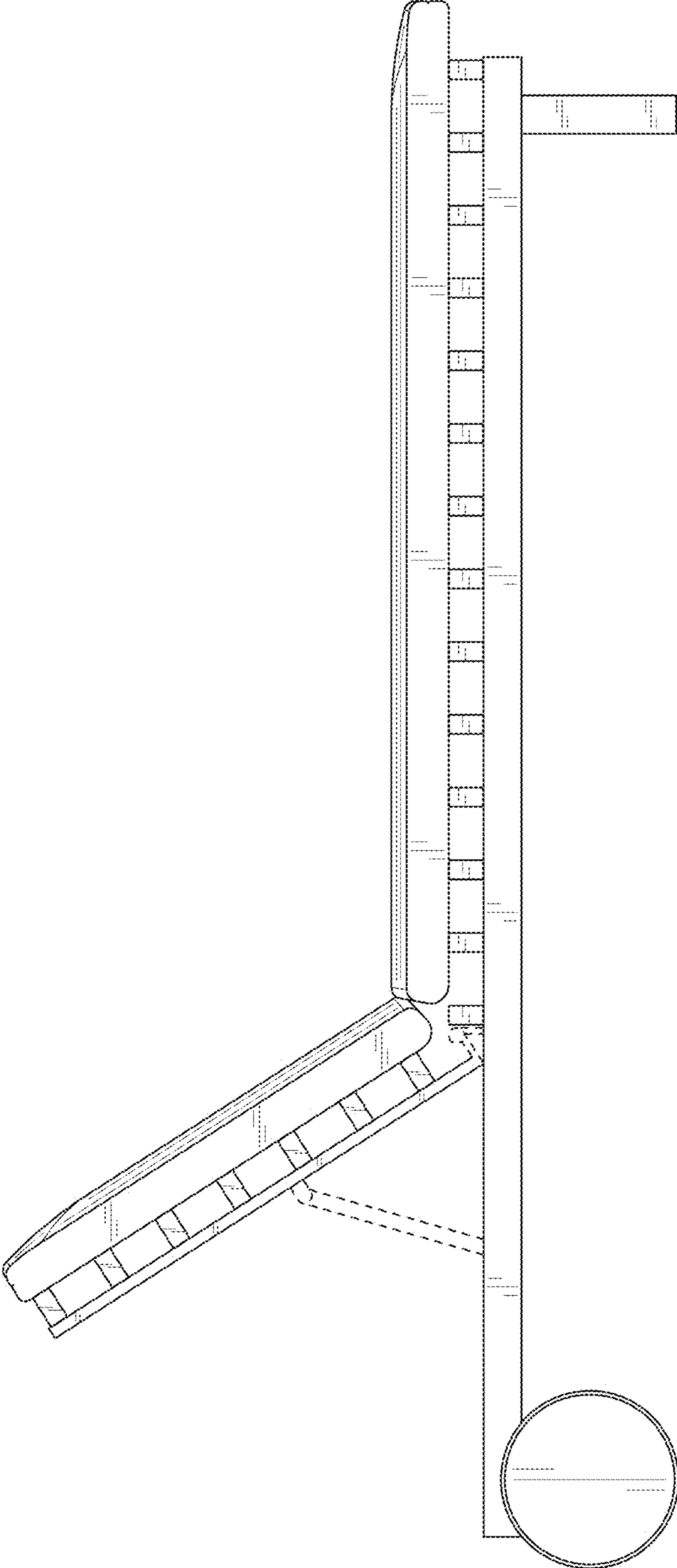


FIG. 4

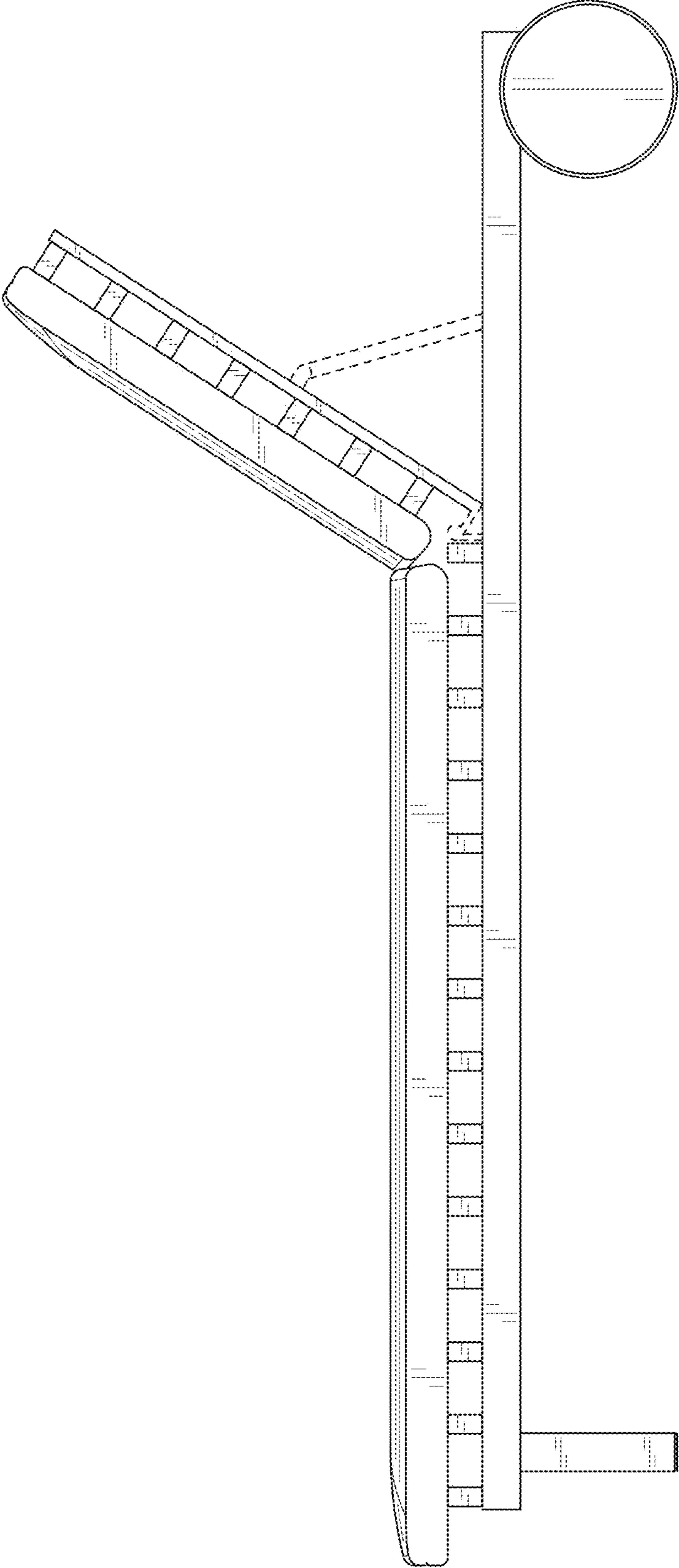


FIG. 5

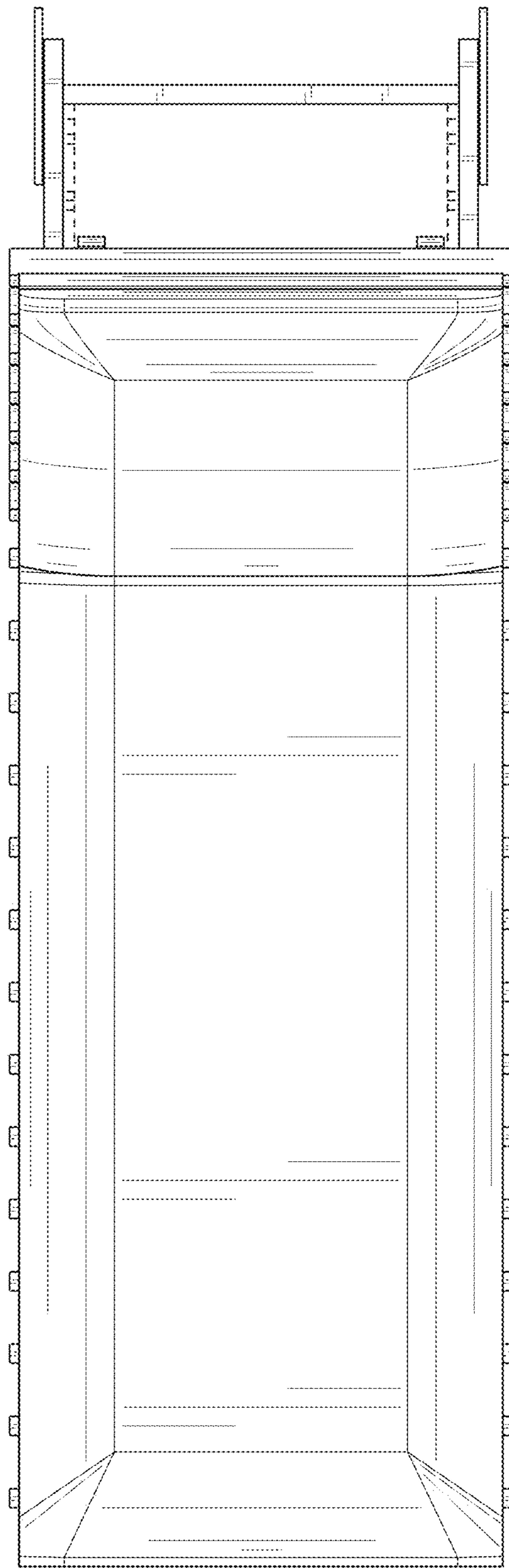


FIG. 6

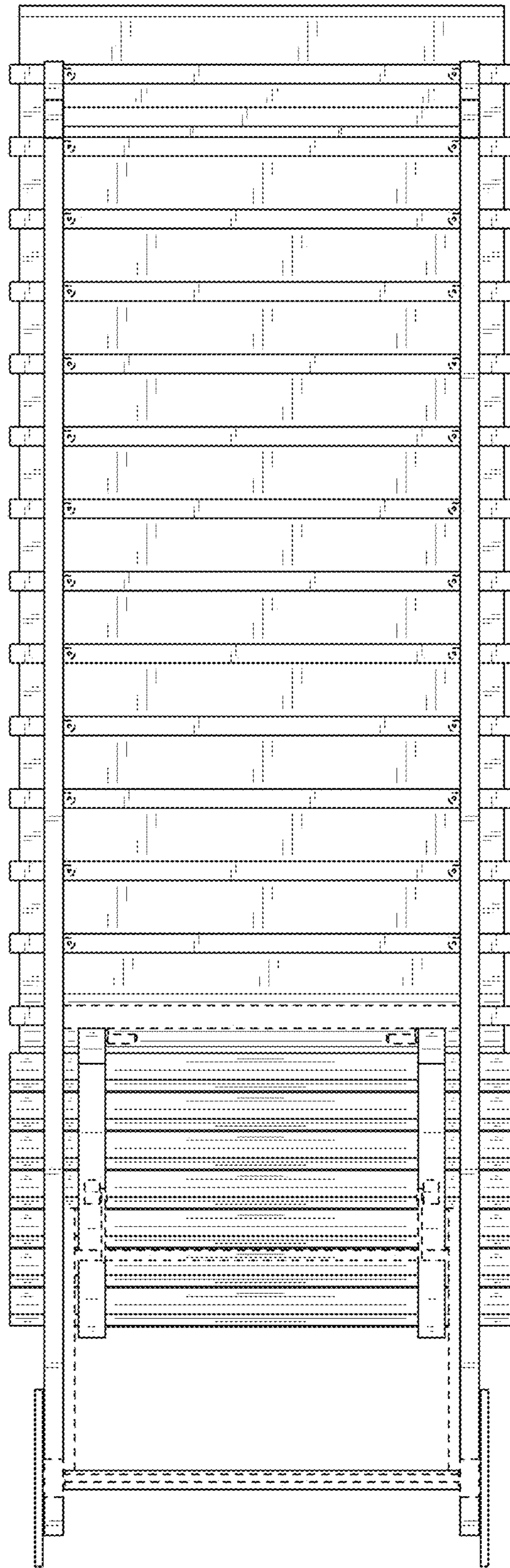


FIG. 7

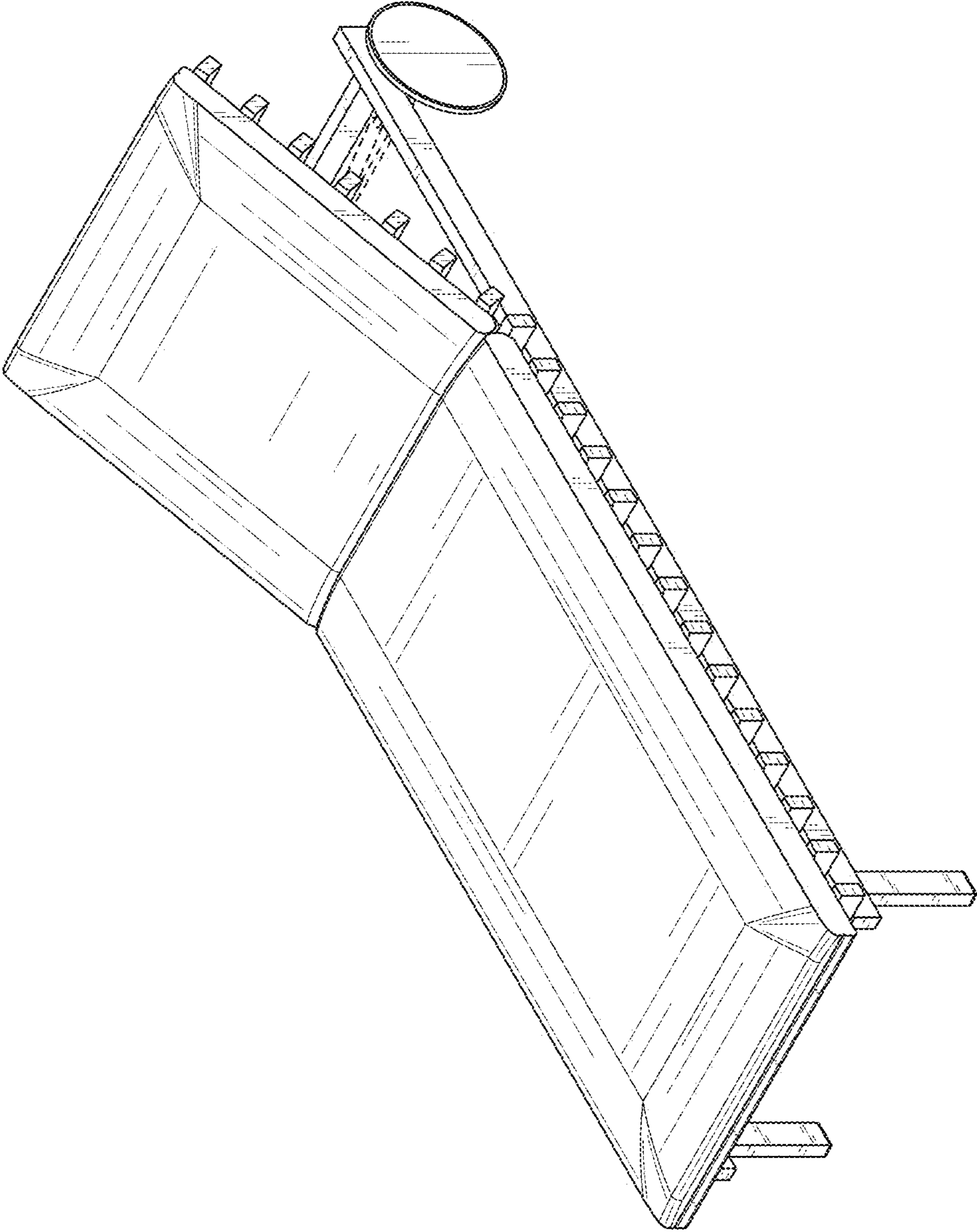


FIG. 8

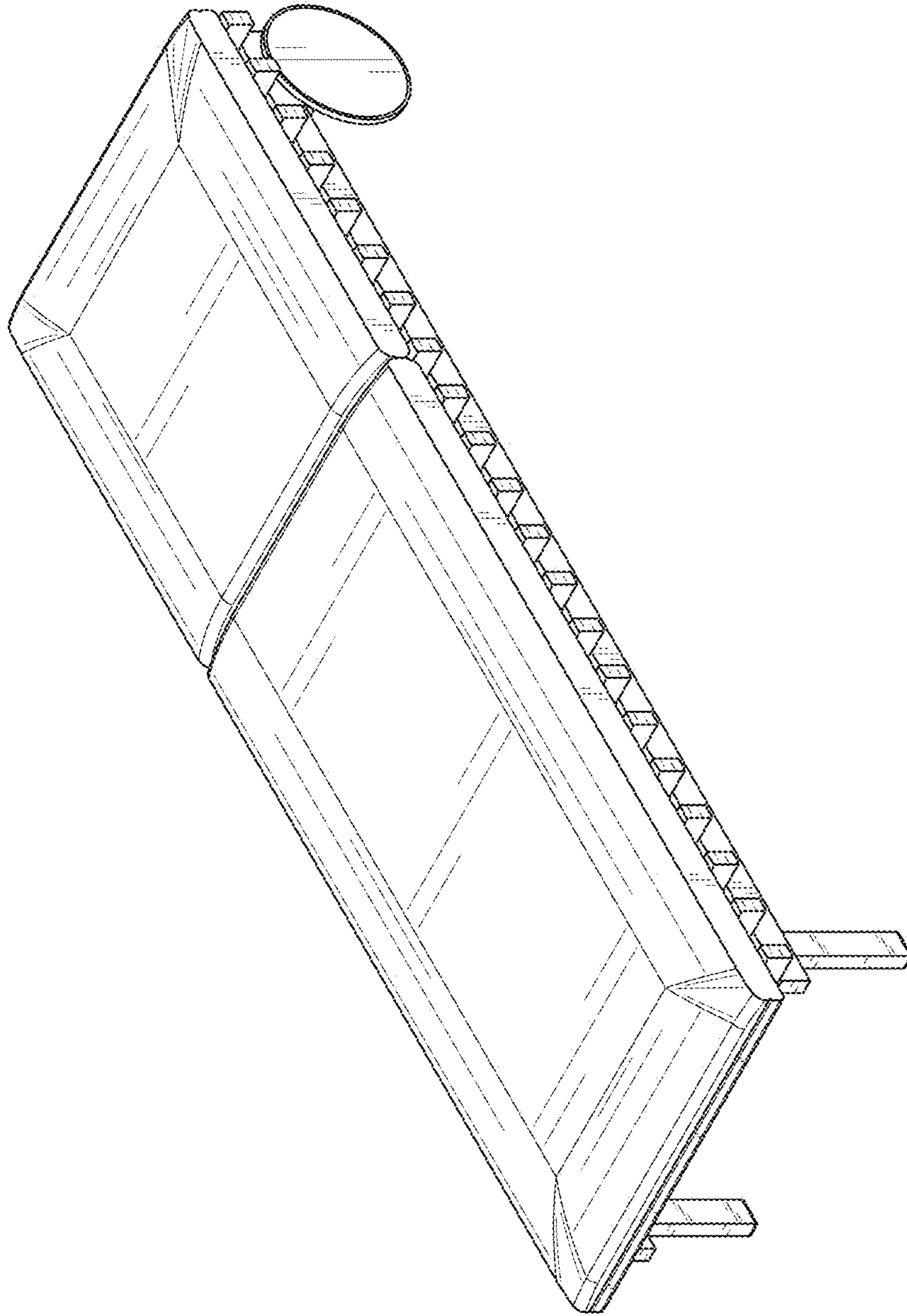


FIG. 9