



US00D925241S

(12) **United States Design Patent**
Chin

(10) **Patent No.:** **US D925,241 S**

(45) **Date of Patent:** **** Jul. 20, 2021**

(54) **ROCKING CHAIR**

(71) Applicant: **T. K. CHIN COMPANY LTD.**, Taipei (TW)

(72) Inventor: **Howard Chin**, Taipei (TW)

(73) Assignee: **T. K. CHIN COMPANY LTD.**, Taipei (TW)

(**) Term: **15 Years**

(21) Appl. No.: **29/708,069**

(22) Filed: **Oct. 2, 2019**

(30) **Foreign Application Priority Data**

Jun. 18, 2019 (TW) 108207738

(51) **LOC (13) Cl.** **06-01**

(52) **U.S. Cl.**
USPC **D6/348**

(58) **Field of Classification Search**
USPC D6/347, 348, 361, 716, 718, 344, 373, D6/379, 380, 330, 334, 335, 366, 369, D6/385, 708.16, 358, 372, 375, 377, 370, D6/336, 353; D12/52; D21/412, 688, D21/521; D24/183, 200
CPC A45F 3/22; A45F 3/24; A45F 3/26; A47D 13/10; A47D 13/105; A47D 9/02; A47D 13/00; A47D 13/107; A47C 1/14; A47C 3/0255; A47C 3/029; A47C 3/027; A47C 3/02; A47C 3/04; A47C 3/34; A47C 4/02; A47C 4/03; A47C 4/04; A47C 5/12; A47C 7/52; A47C 7/506; A47C 9/007; A47C 15/008; A47C 17/84; A47C 31/00; A63G 9/00; A63G 9/02; Y10S 135/909; Y10T 403/32409; A61G 15/005; A61G 15/00

See application file for complete search history.

(56) **References Cited**

U.S. PATENT DOCUMENTS

D112,194 S * 11/1938 Goldberg D6/348
D149,500 S * 5/1948 Hollander D6/348

D151,675 S * 11/1948 Bird D6/348
3,072,435 A * 1/1963 Komulainen A47C 3/029
297/271.6
D283,565 S * 4/1986 Wilson D6/348
4,919,481 A * 4/1990 Garabedian A47C 3/029
297/271.6
D340,813 S * 11/1993 Liu D6/348
D480,884 S * 10/2003 Kane A47D 13/102
D6/348
6,955,398 B1 * 10/2005 Reese A47C 3/029
297/271.6
D556,465 S * 12/2007 Massaud D6/348
D565,852 S * 4/2008 Wang D6/348
D660,053 S * 5/2012 Sclare D6/715
D728,949 S * 5/2015 Fang D6/348
D799,839 S * 10/2017 Wanders D6/348
D848,193 S * 5/2019 Furuland D6/718
D871,787 S * 1/2020 Lv D6/348

(Continued)

Primary Examiner — Kevin K Rudzinski

Assistant Examiner — Paul D Bohannon

(74) *Attorney, Agent, or Firm* — Pai Patent & Trademark Law Firm; Chao-Chang David Pai

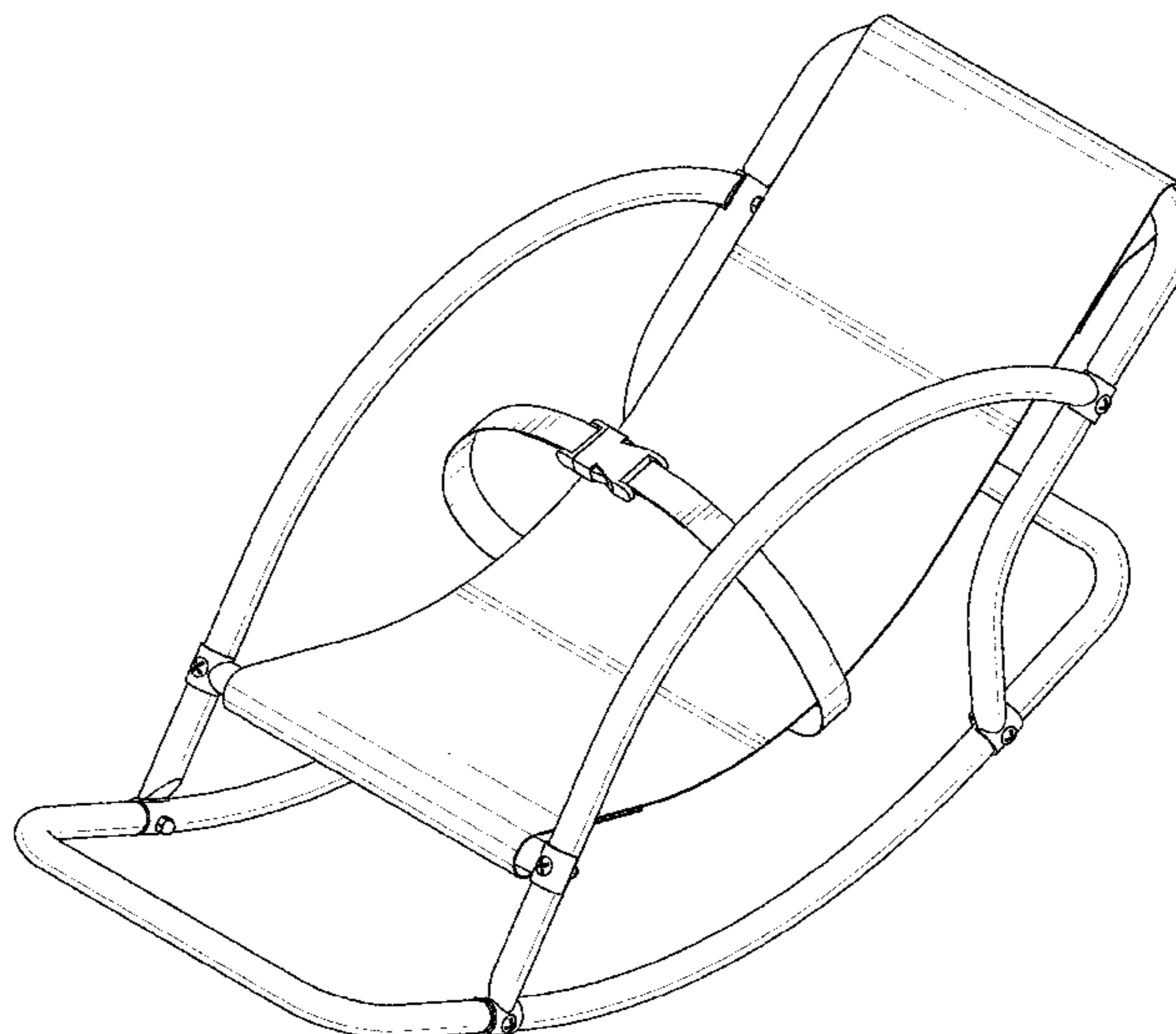
(57) **CLAIM**

The ornamental design for a rocking chair, as shown and described.

DESCRIPTION

FIG. 1 is a perspective view of a rocking chair showing my new design;
FIG. 2 is a left side view thereof;
FIG. 3 is a right side view thereof;
FIG. 4 is a front view thereof;
FIG. 5 is a rear view thereof;
FIG. 6 is a top view thereof; and,
FIG. 7 is a bottom view thereof.

1 Claim, 7 Drawing Sheets



(56)

References Cited

U.S. PATENT DOCUMENTS

D874,168 S * 2/2020 Weng D6/348
D893,203 S * 8/2020 O'Brien D6/348
D900,492 S * 11/2020 Wesselius D6/348
2020/0187653 A1 * 6/2020 Tsai A47C 4/44

* cited by examiner

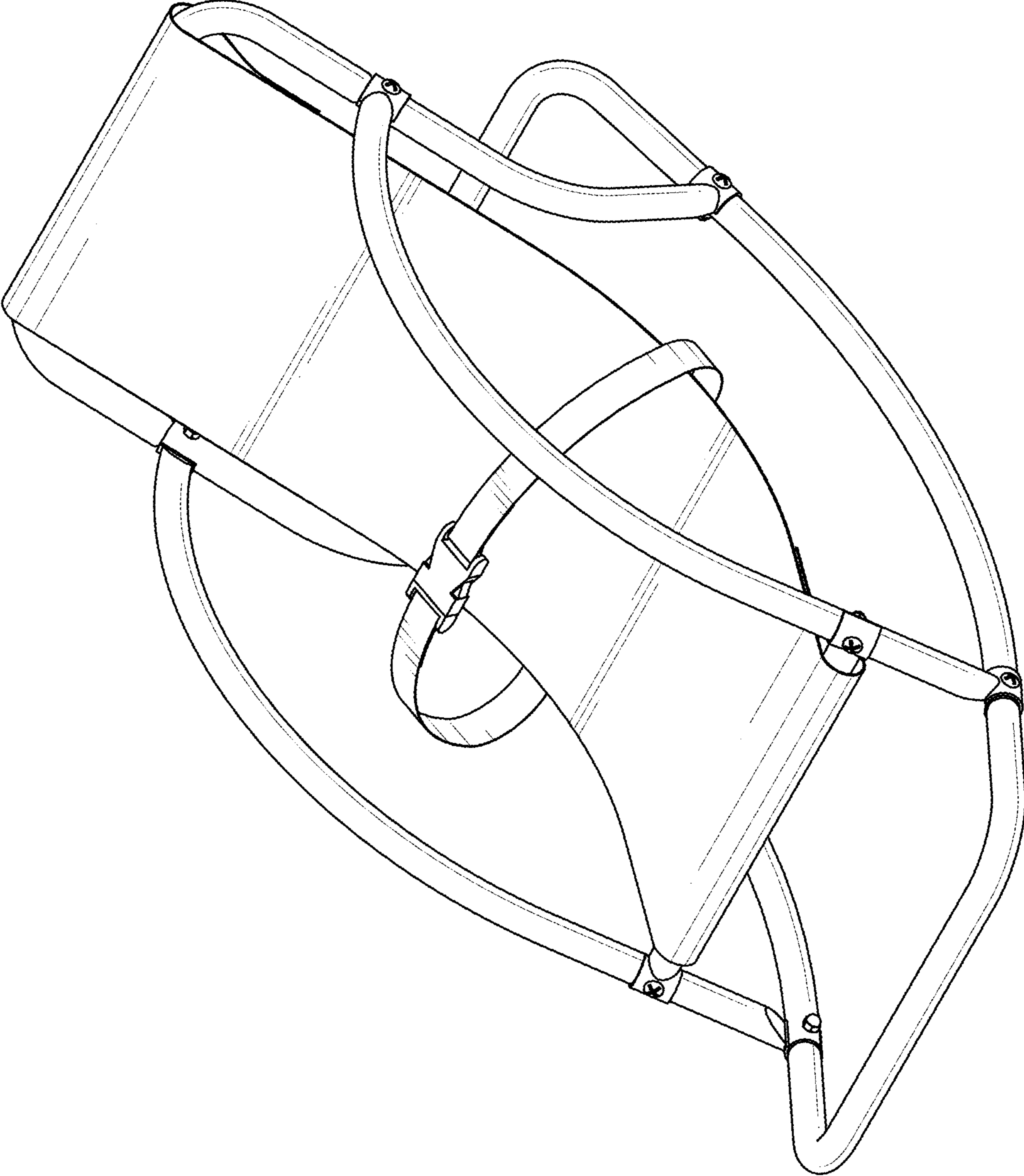


FIG. 1

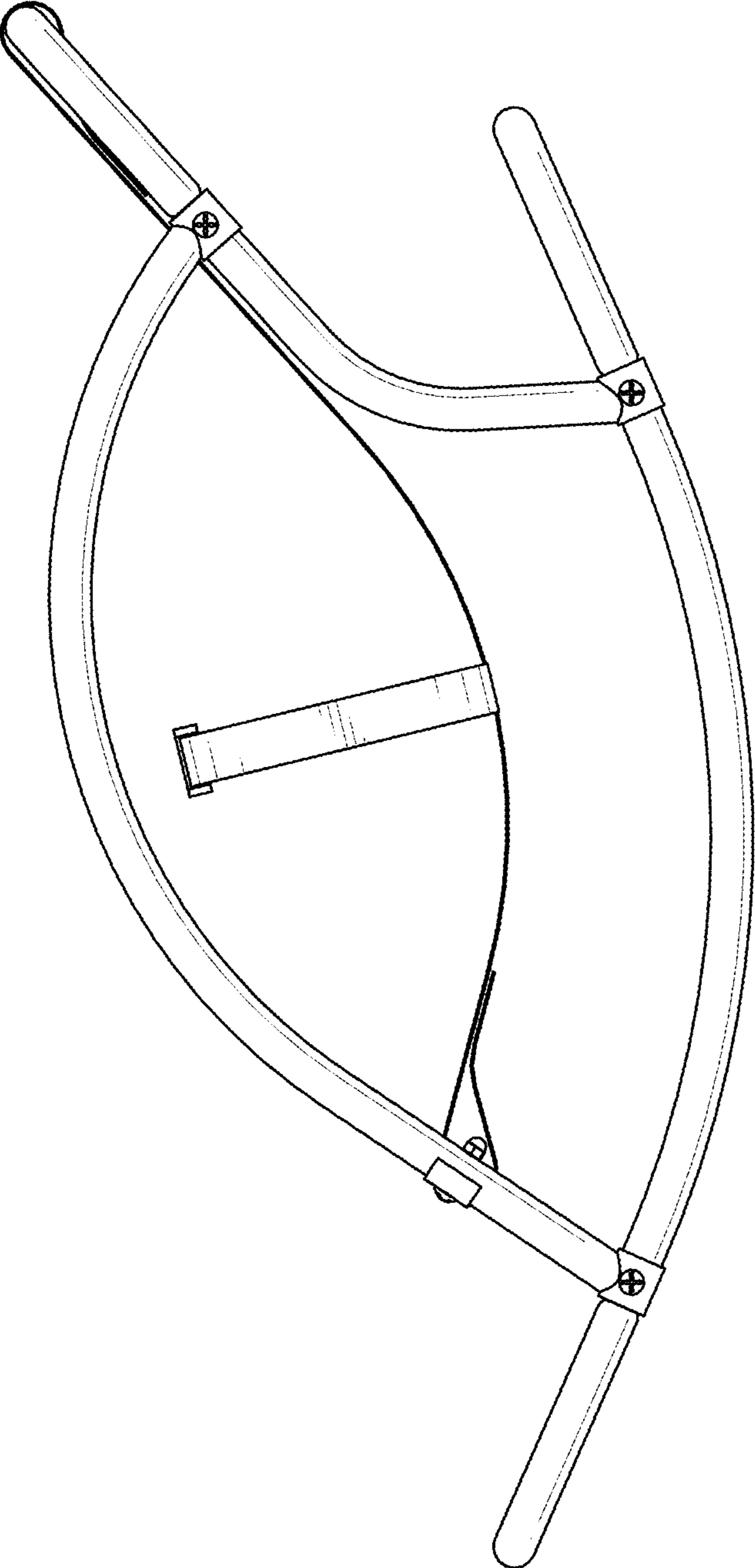


FIG.2

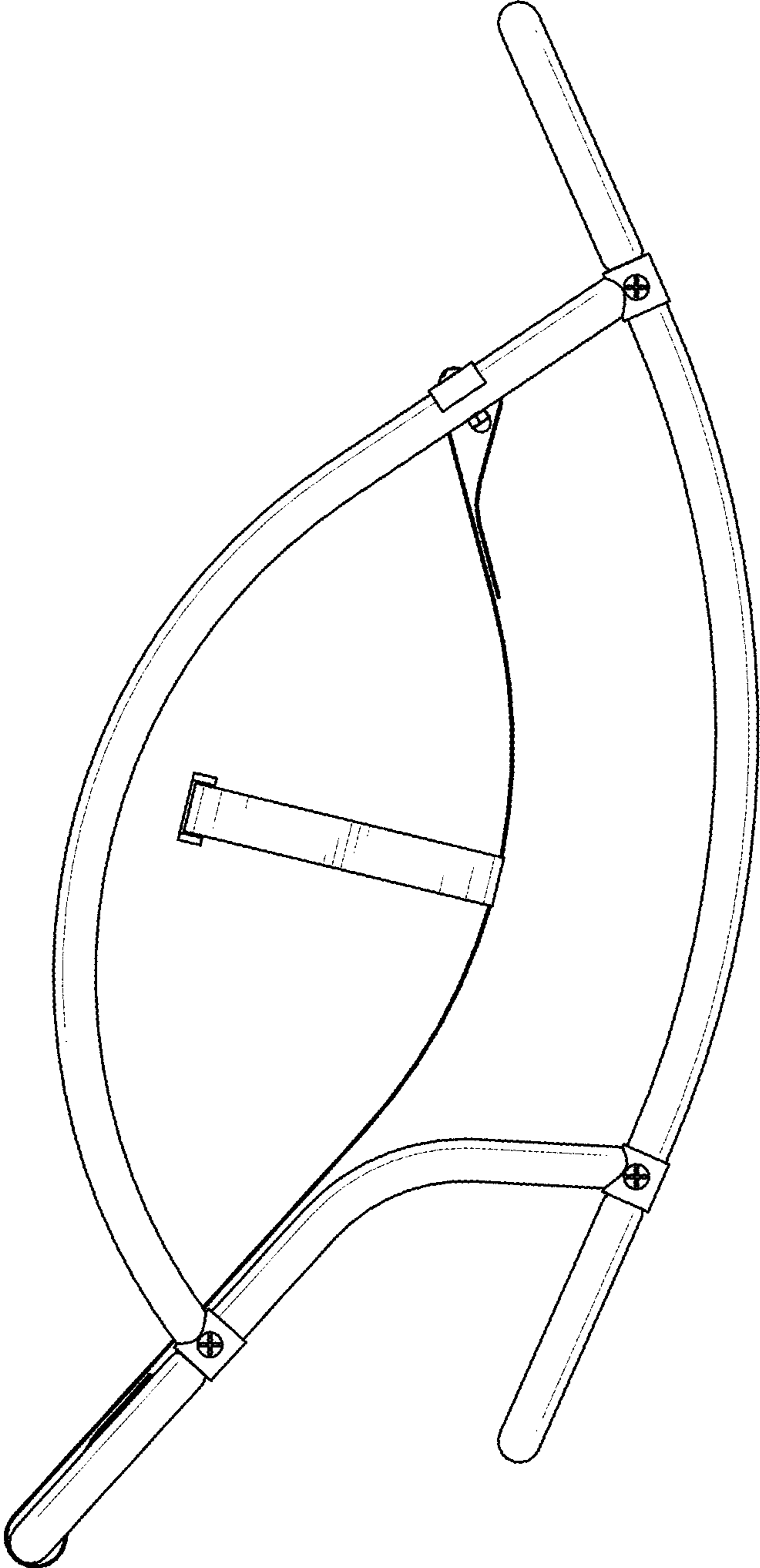


FIG.3

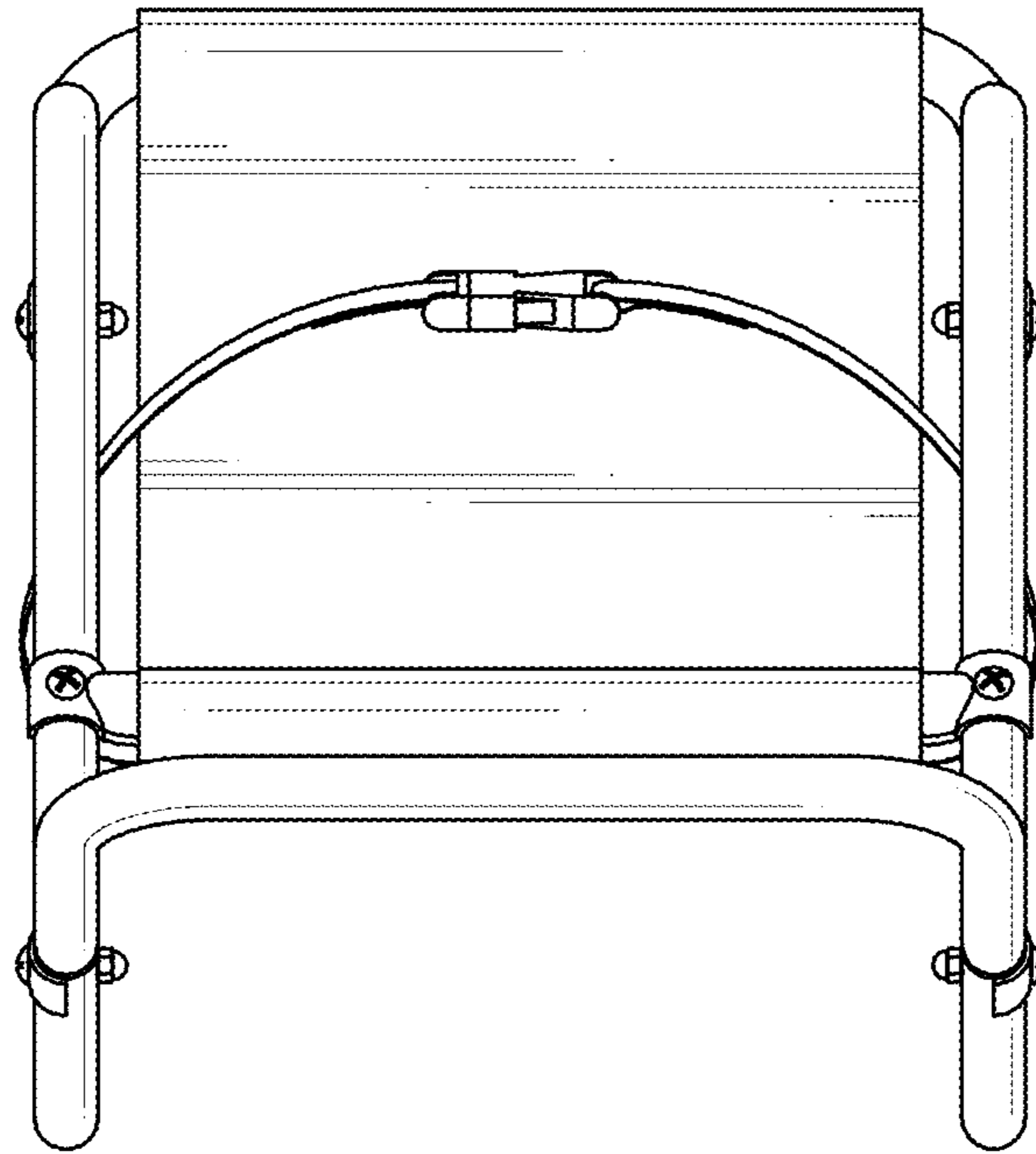


FIG.4

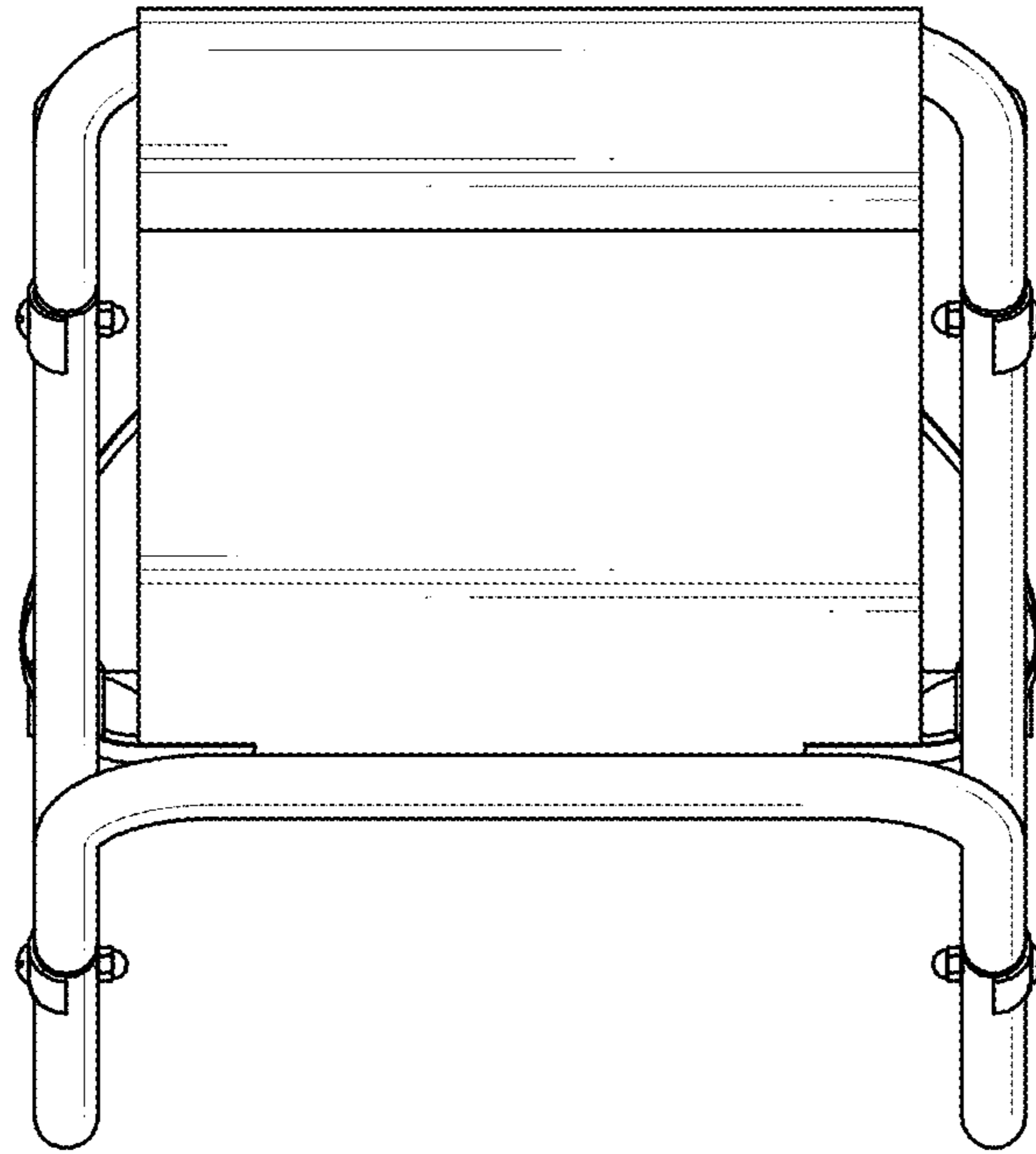


FIG.5

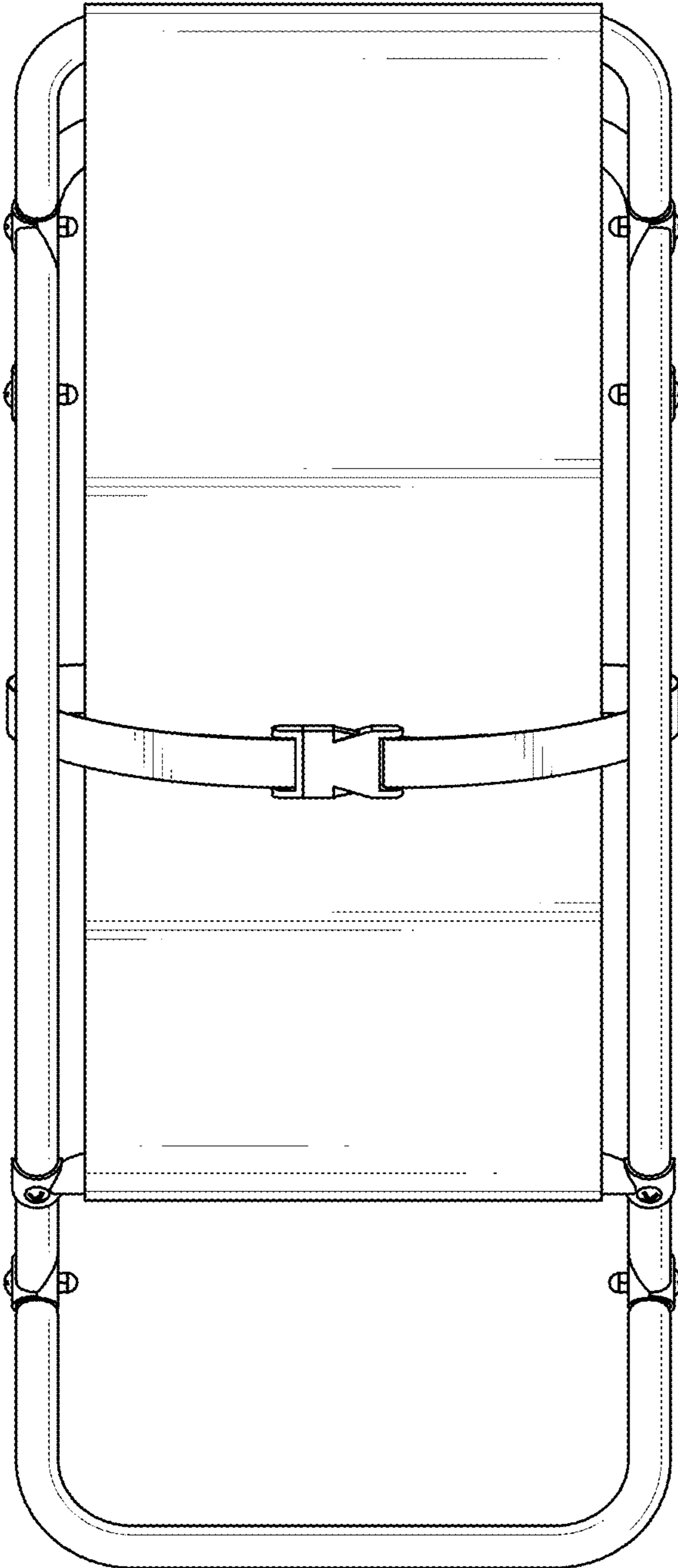


FIG.6

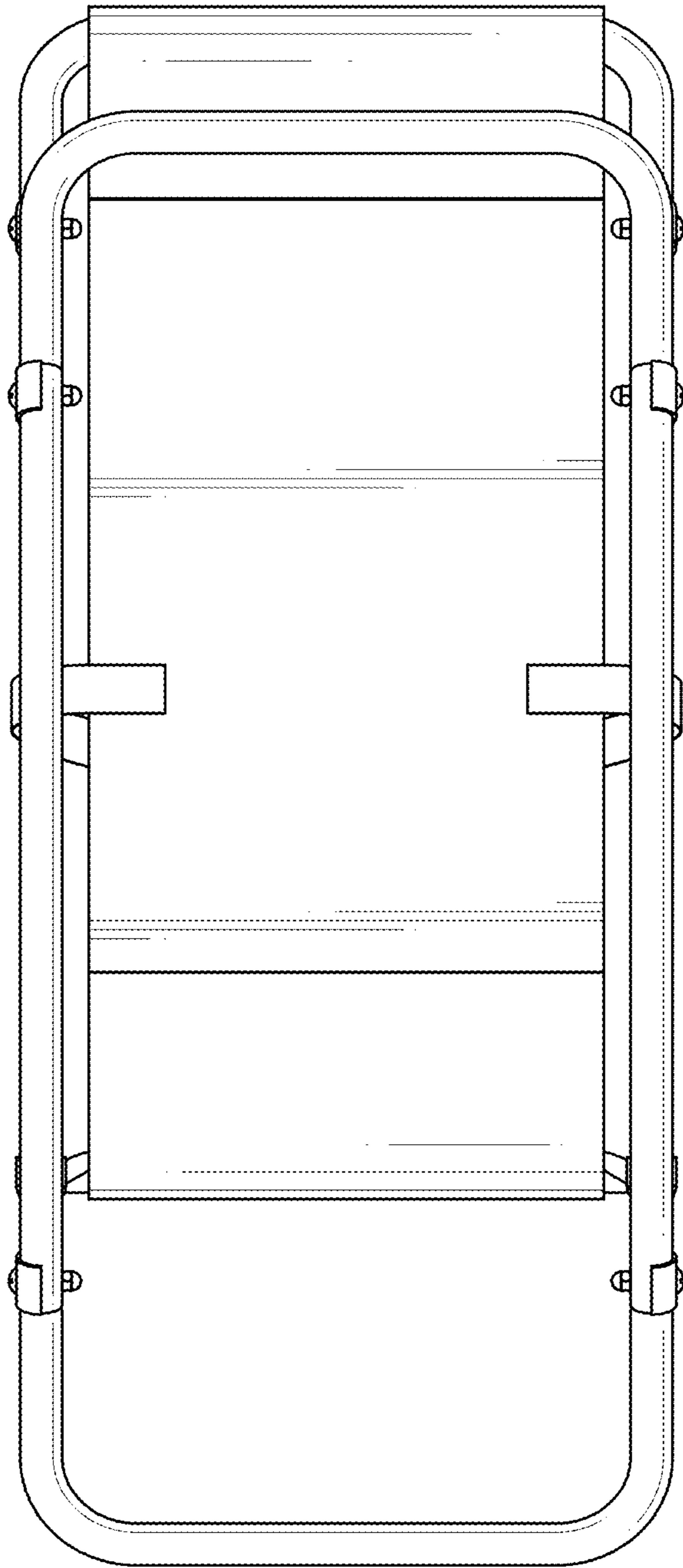


FIG.7