



US00D925240S

(12) **United States Design Patent** (10) **Patent No.:** **US D925,240 S**  
**Imrich et al.** (45) **Date of Patent:** **\*\* Jul. 20, 2021**

(54) **CHILD SAFETY SEAT FOR MOTOR CARS** 9,610,866 B2 \* 4/2017 Mitsuo ..... B60R 22/105  
D797,465 S 9/2017 Pos  
(71) Applicant: **Cybex GmbH**, Bayreuth (DE) D797,481 S 9/2017 Pos  
D856,688 S \* 8/2019 Imrich ..... B60R 22/105  
(72) Inventors: **Martin Imrich**, Prague (CZ); **Jiri** D866,202 S \* 11/2019 Pos ..... B60N 2/2887  
**Pribyl**, Prague (CZ) D6/333  
(73) Assignee: **Cybex GmbH**, Bayreuth (DE) 2008/0303321 A1 12/2008 Powell  
2010/0052384 A1 3/2010 Yang  
2011/0233978 A1 9/2011 Clement et al.  
(\*\*) Term: **15 Years** 2012/0319442 A1 12/2012 Clement  
2014/0327281 A1 11/2014 Hou et al.  
(21) Appl. No.: **29/694,789** 2015/0291064 A1 \* 10/2015 Mitsuo ..... B60N 2/265  
297/256.15  
(22) Filed: **Jun. 13, 2019** \* cited by examiner

**Related U.S. Application Data**

(62) Division of application No. 35/503,677, filed on Mar. 10, 2017 (U.S. filing date under 35 U.S.C. 384), and having an international filing date of Mar. 10, 2017, now Pat. No. Des. 856,688.

*Primary Examiner* — Mary Ann Calabrese  
(74) *Attorney, Agent, or Firm* — Boyle Fredrickson, S.C.

(57) **CLAIM**

The ornamental design of a child safety seat for motor cars, as shown and described.

(30) **Foreign Application Priority Data**

Sep. 14, 2019 (WO) ..... 968714901

(51) **LOC (13) Cl.** ..... **06-01**

(52) **U.S. Cl.**  
USPC ..... **D6/333**

(58) **Field of Classification Search**

USPC ..... D6/333–335, 356  
CPC .... A47C 1/00; A47C 3/00; A47D 1/00; A47D 15/005; A47D 15/006; B60N 2/26; B60N 2/265; B60N 2/28; B60N 2/2821; B60N 2/2842; B60N 2/2851; B60N 2/2887

See application file for complete search history.

**DESCRIPTION**

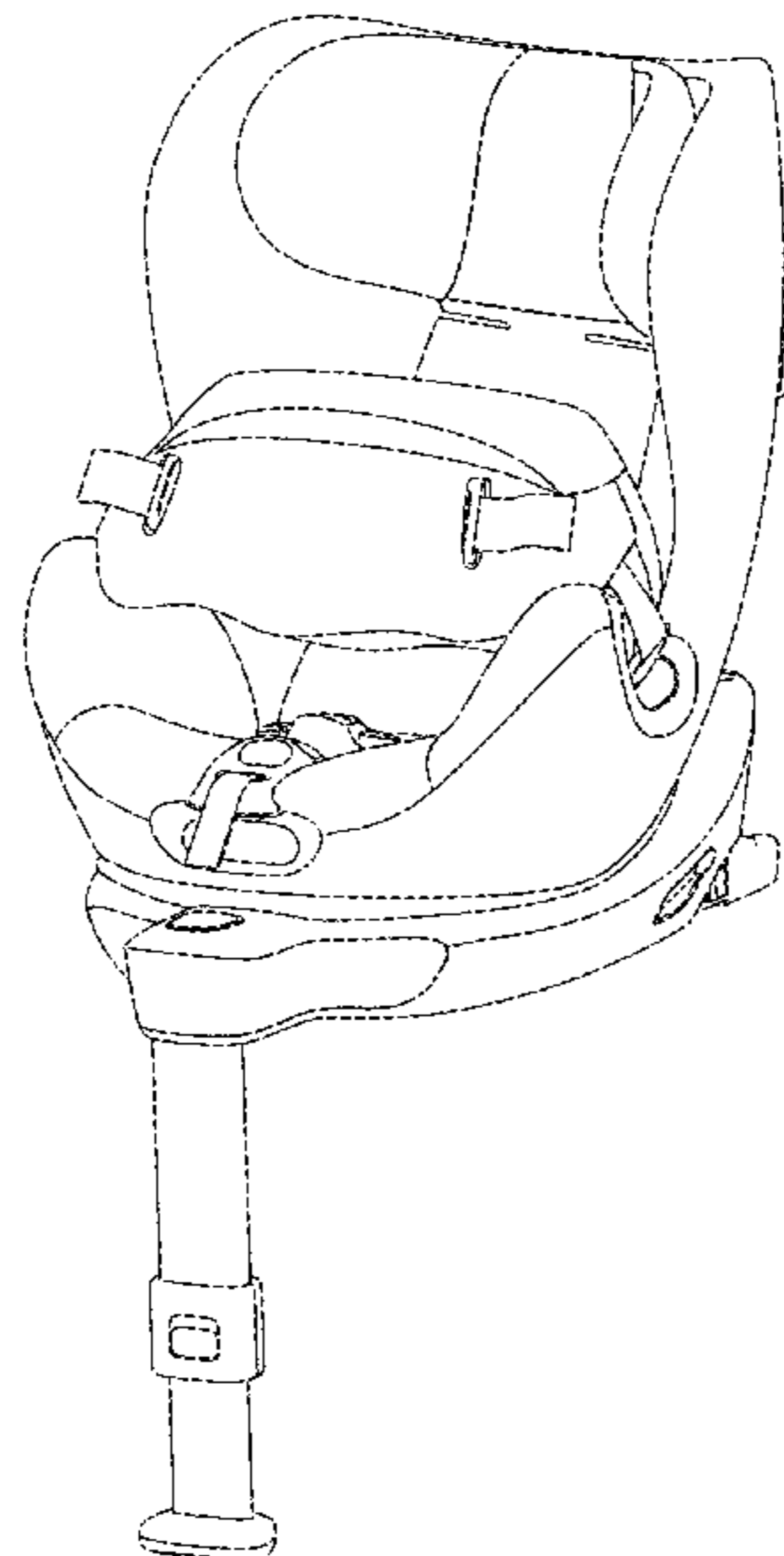
FIG. 1 is a perspective view of a child safety seat in accordance with the present invention;  
FIG. 2 is a front elevational view of the child safety seat of FIG. 1;  
FIG. 3 is a rear elevational view of the child safety seat of FIG. 1;  
FIG. 4 is a bottom plan view of the child safety seat of FIG. 1;  
FIG. 5 is a top plan view of the child safety seat of FIG. 1;  
FIG. 6 is a side elevational view of a first side of the child safety seat of FIG. 1; and,  
FIG. 7 is a side elevational view of a second side of the child safety seat of FIG. 1.  
The broken lines depict portions of the child safety seat for motor cars that form no part of the claimed design.

(56) **References Cited**

**U.S. PATENT DOCUMENTS**

7,097,245 B2 8/2006 Barker  
9,227,537 B2 1/2016 Cheng  
9,321,377 B2 \* 4/2016 Jane Santamaria .. B60N 2/2887

**1 Claim, 7 Drawing Sheets**



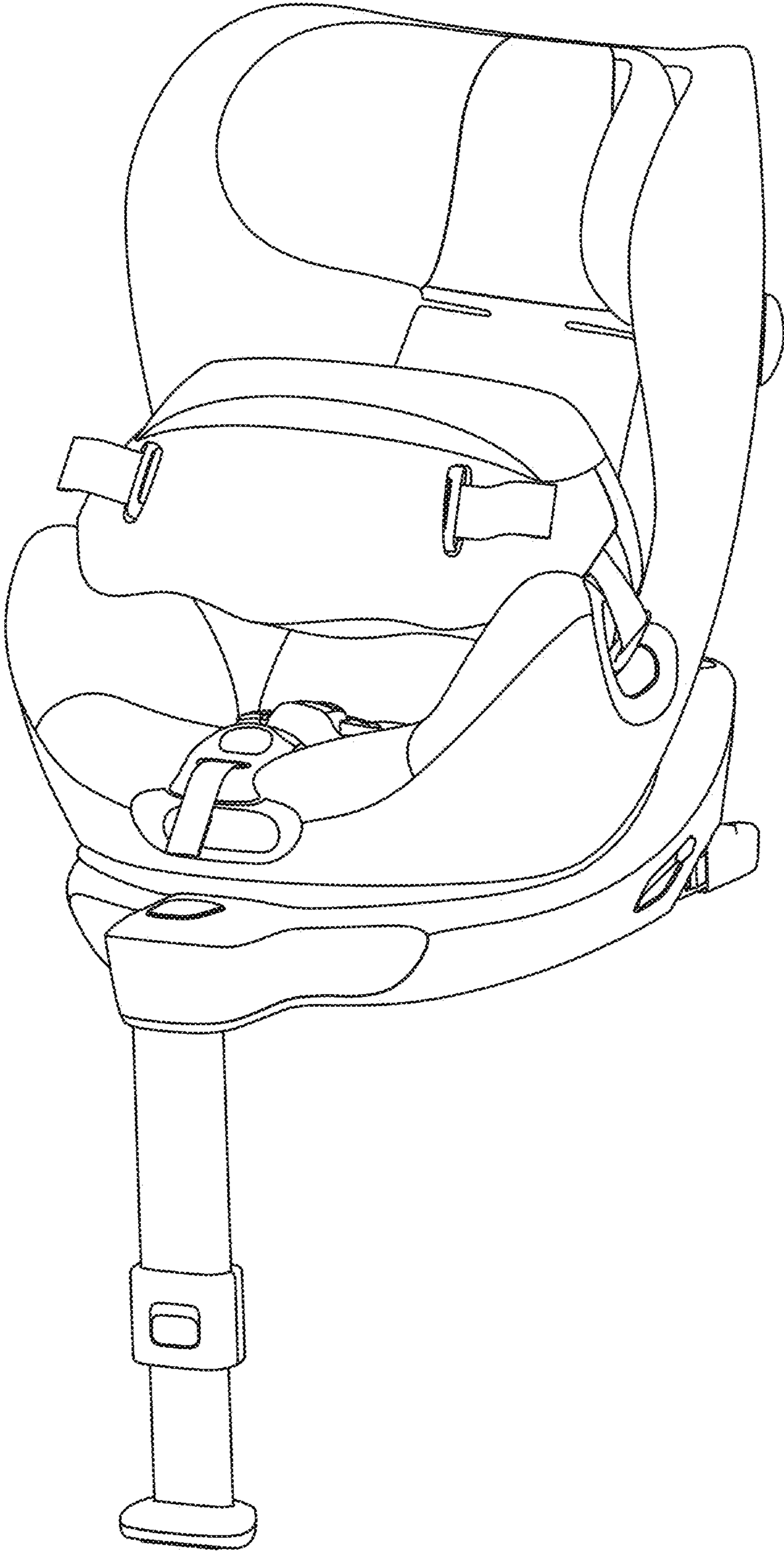


FIG.1

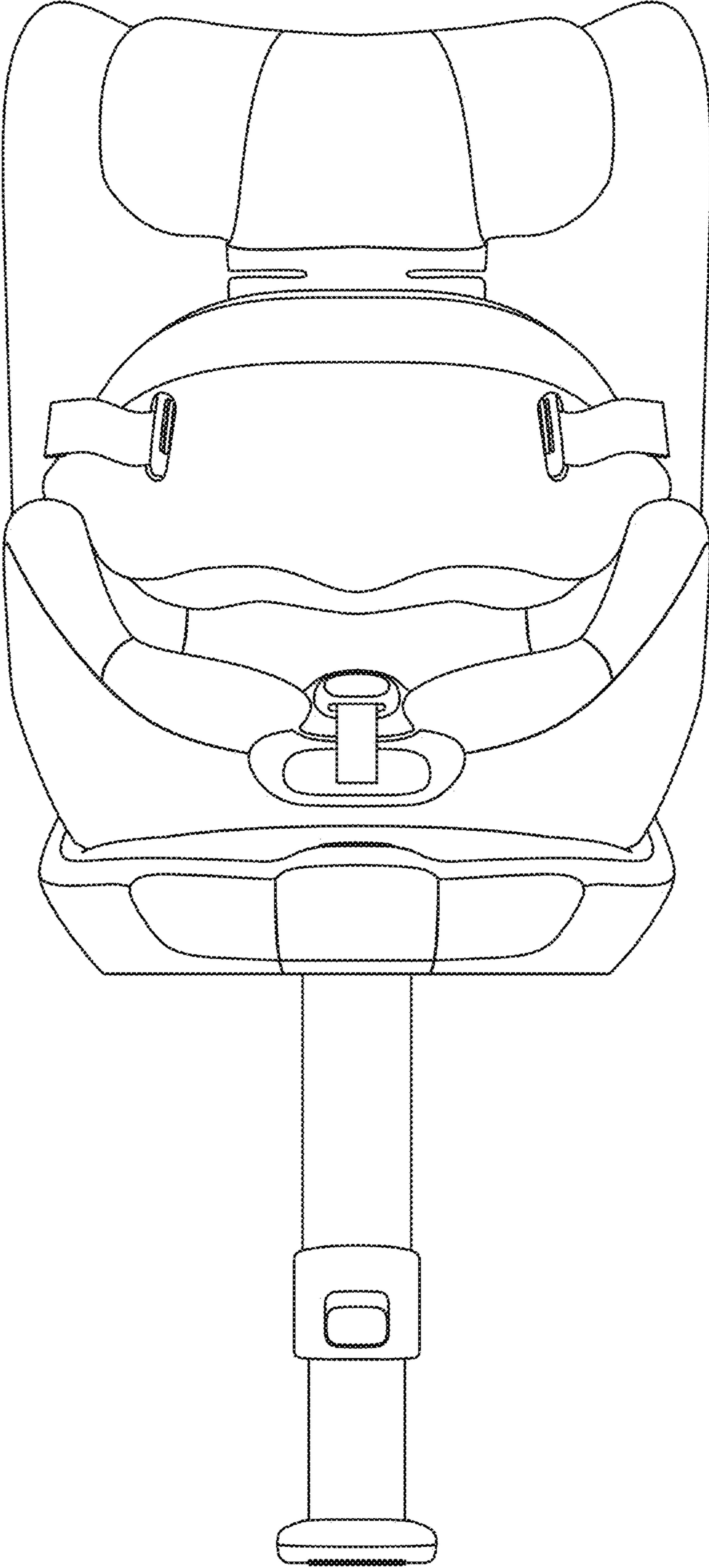


FIG.2

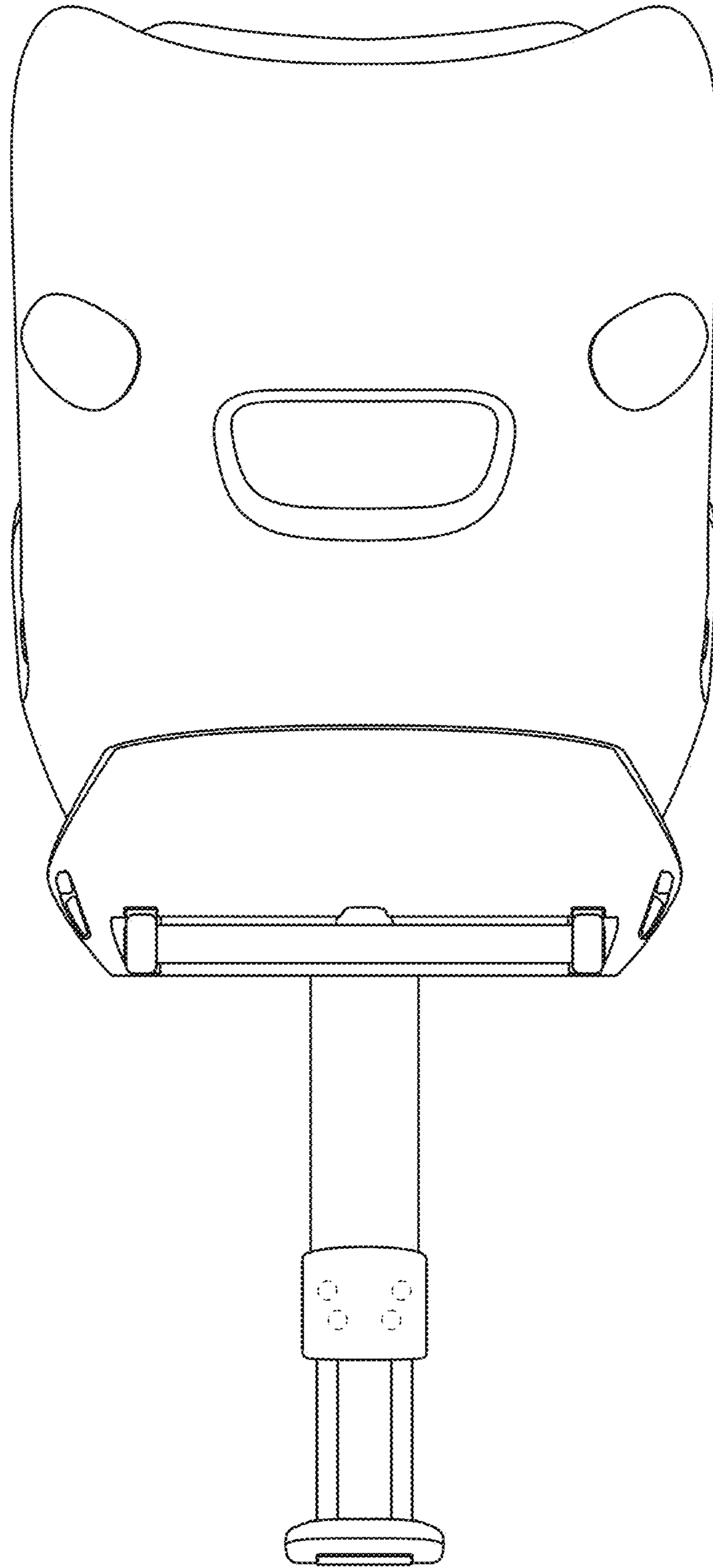


FIG.3

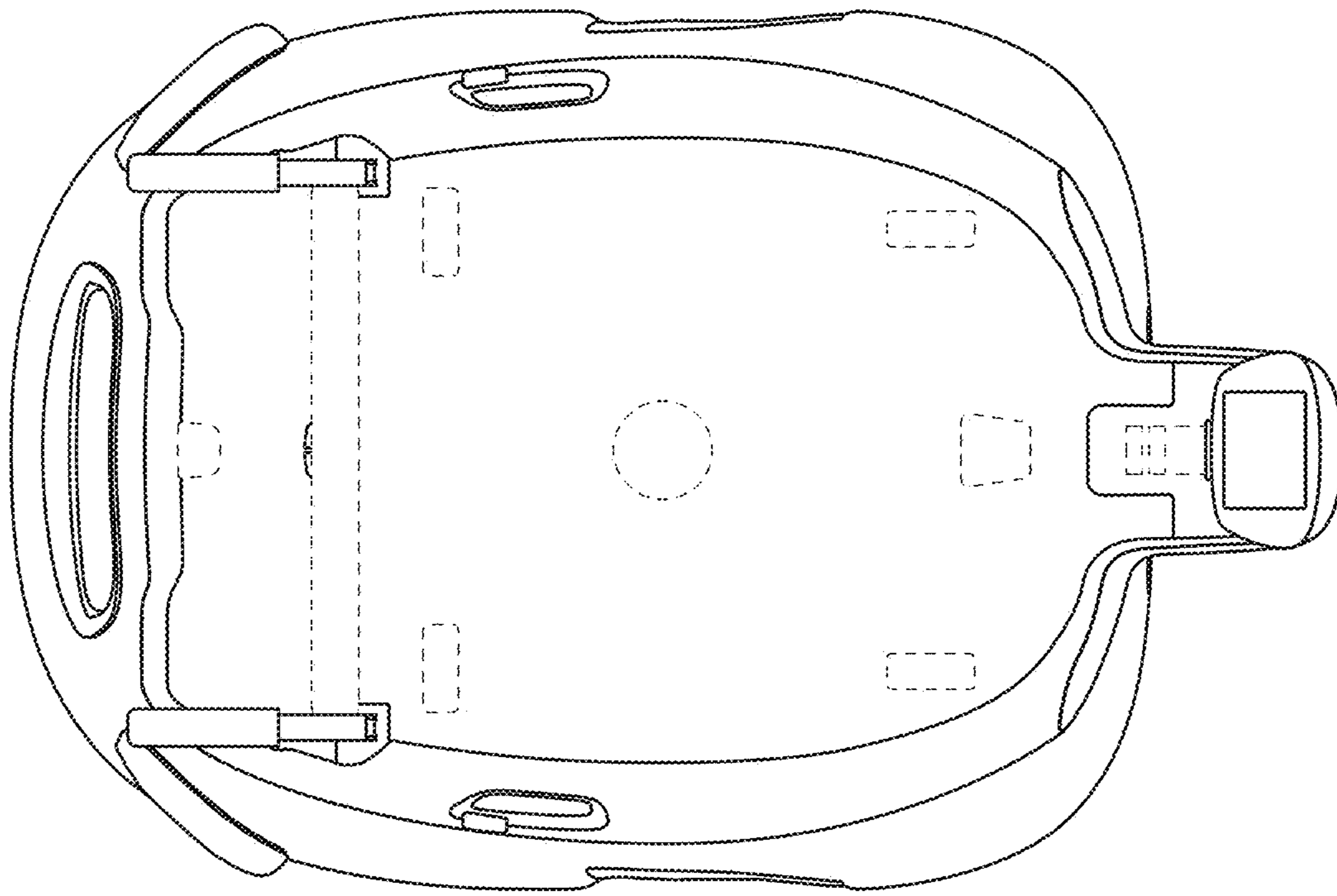


FIG.4



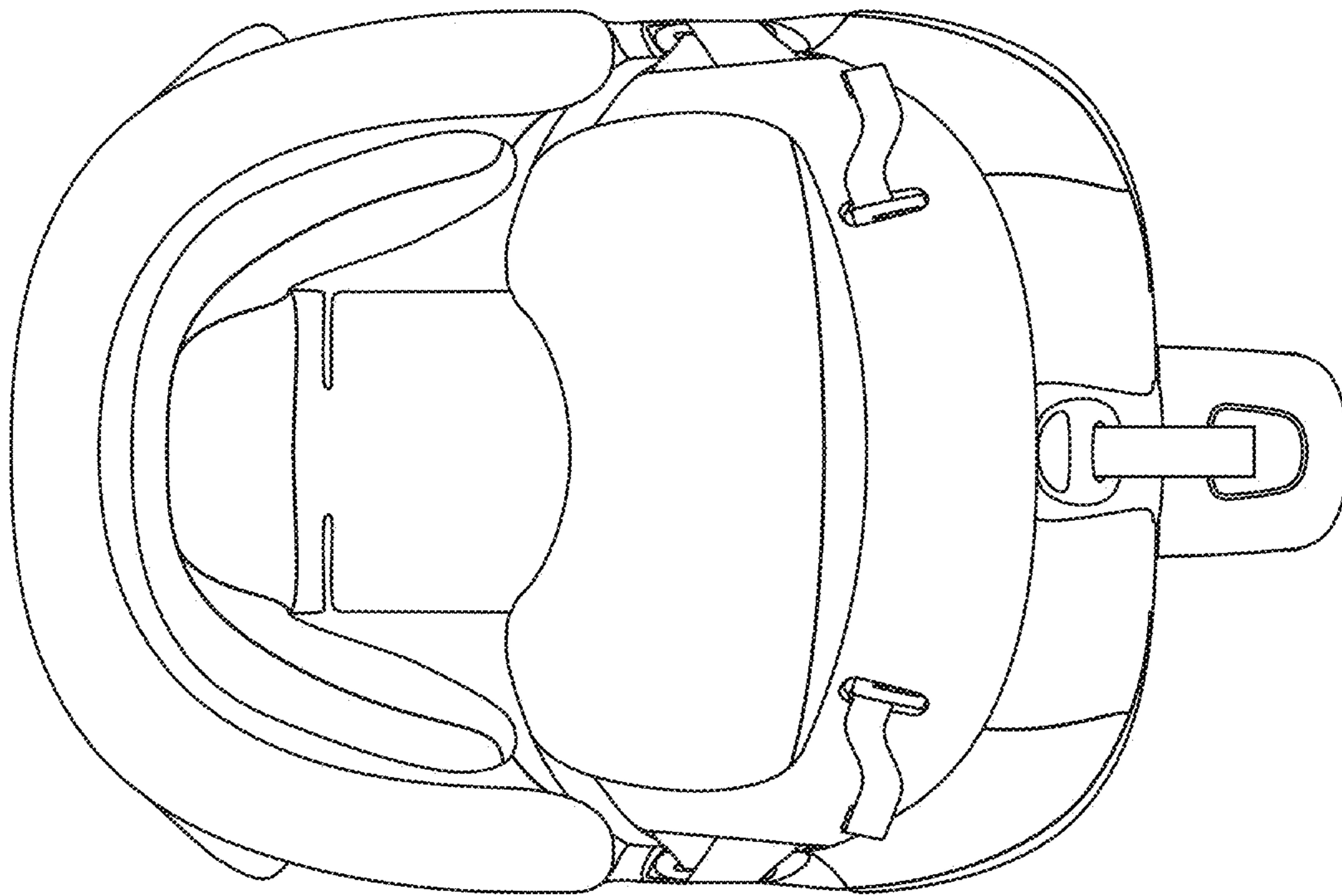


FIG.5

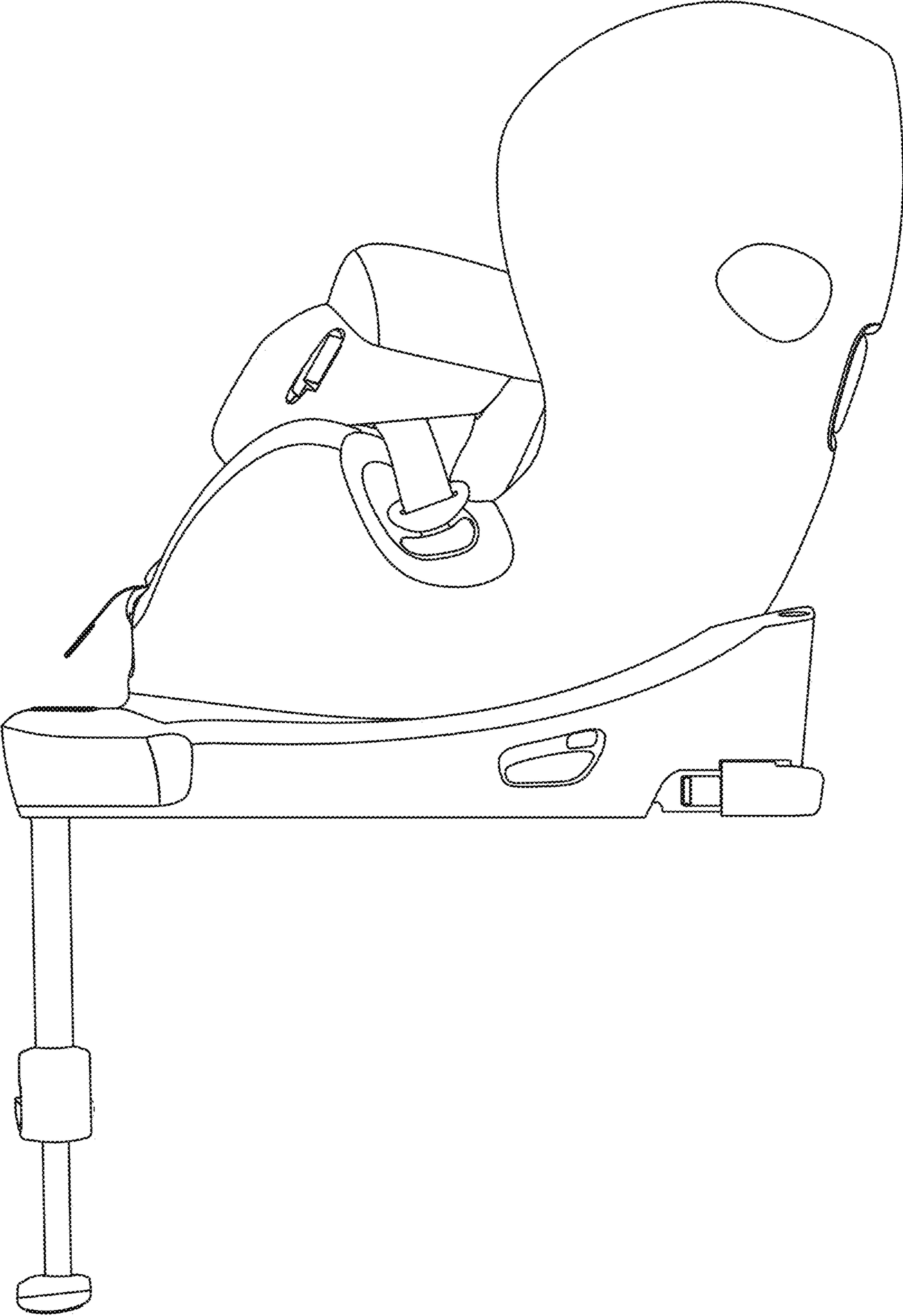


FIG.6

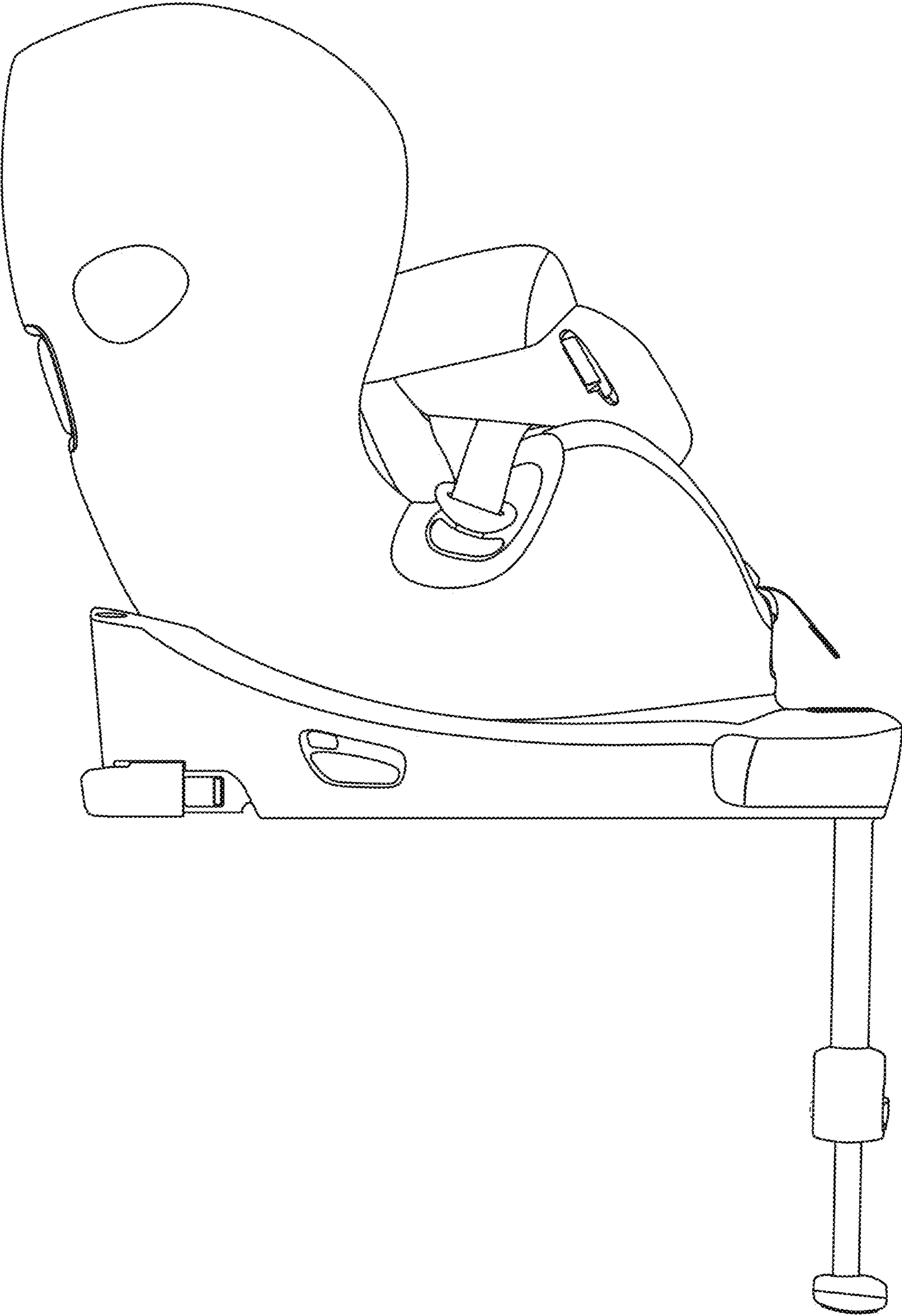


FIG.7