



US00D925239S

(12) **United States Design Patent**  
**Cai**

(10) **Patent No.:** **US D925,239 S**

(45) **Date of Patent:** **\*\* Jul. 20, 2021**

(54) **MIRROR**

(71) Applicant: **Chuanming Cai**, Shenzhen (CN)

(72) Inventor: **Chuanming Cai**, Shenzhen (CN)

(\*\*) Term: **15 Years**

(21) Appl. No.: **29/771,736**

(22) Filed: **Feb. 25, 2021**

(51) **LOC (13) Cl.** ..... **06-07**

(52) **U.S. Cl.**  
USPC ..... **D6/312**

(58) **Field of Classification Search**  
USPC ..... D6/300-314; D14/341, 440  
CPC .. A47G 1/00; A47G 2001/002; F21V 33/004;  
A45D 42/10  
See application file for complete search history.

(56) **References Cited**

**U.S. PATENT DOCUMENTS**

D282,024 S *	1/1986	Muranen .....	D6/300
D306,659 S *	3/1990	Mercandante .....	D6/300
D340,811 S *	11/1993	Vaughan .....	D6/310
D345,655 S *	4/1994	Freebairn .....	D6/308
D506,074 S *	6/2005	Chen .....	D6/300
D609,018 S *	2/2010	Tzeng .....	D6/308
D622,514 S *	8/2010	Park .....	D6/308
D629,216 S *	12/2010	Stoddard .....	D6/308
D728,559 S *	5/2015	Lim .....	D14/341
D740,804 S *	10/2015	Hovdal .....	D14/341
D750,066 S *	2/2016	Lin .....	D14/341
D782,469 S *	3/2017	Raken .....	D14/341
D782,470 S *	3/2017	Raken .....	D14/341
D826,930 S *	8/2018	Lida .....	D14/341
D872,077 S *	1/2020	Raken .....	D14/341
D891,122 S *	7/2020	Yang .....	D6/308
D902,607 S	11/2020	Liu .....	

D903,341 S *	12/2020	Peleman .....	D6/300
D905,442 S	12/2020	Yang .....	
D905,445 S *	12/2020	Yang .....	D6/310
D910,621 S *	2/2021	Park .....	D14/345
D916,470 S *	4/2021	Liu .....	D6/300
2010/0309617 A1*	12/2010	Wang .....	F16M 13/005 361/679.01

**FOREIGN PATENT DOCUMENTS**

CN	305278912	*	7/2019
CN	305507532	*	12/2019
CN	306428978	*	4/2021
CN	306527461	*	5/2021

\* cited by examiner

*Primary Examiner* — Deanna L Pratt

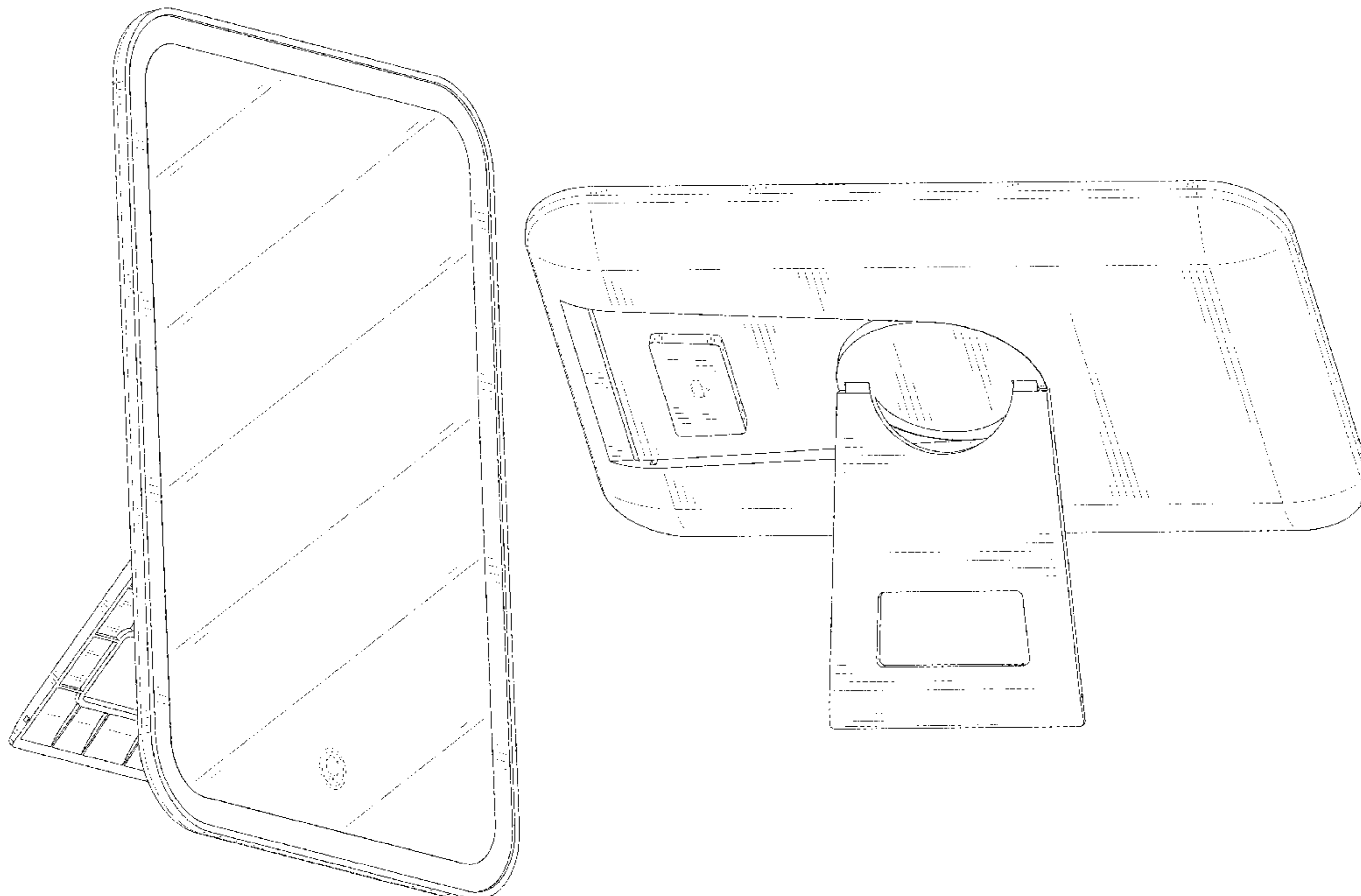
(57) **CLAIM**

The ornamental design for a mirror, as shown and described.

**DESCRIPTION**

FIG. 1 is a perspective view of a mirror showing my new design;  
 FIG. 2 is another perspective view thereof;  
 FIG. 3 is a front elevational view thereof;  
 FIG. 4 is a rear elevational view thereof;  
 FIG. 5 is a left side elevational view thereof;  
 FIG. 6 is a right side elevational view thereof;  
 FIG. 7 is a top plan view thereof;  
 FIG. 8 is a bottom plan view thereof;  
 FIG. 9 is a perspective view of the mirror where the mirror is in a first configuration of use; and,  
 FIG. 10 is a perspective view of the mirror where the mirror is in a second configuration of use.  
 The broken lines in the drawings depict portions of the mirror that form no part of the claimed design.

**1 Claim, 10 Drawing Sheets**



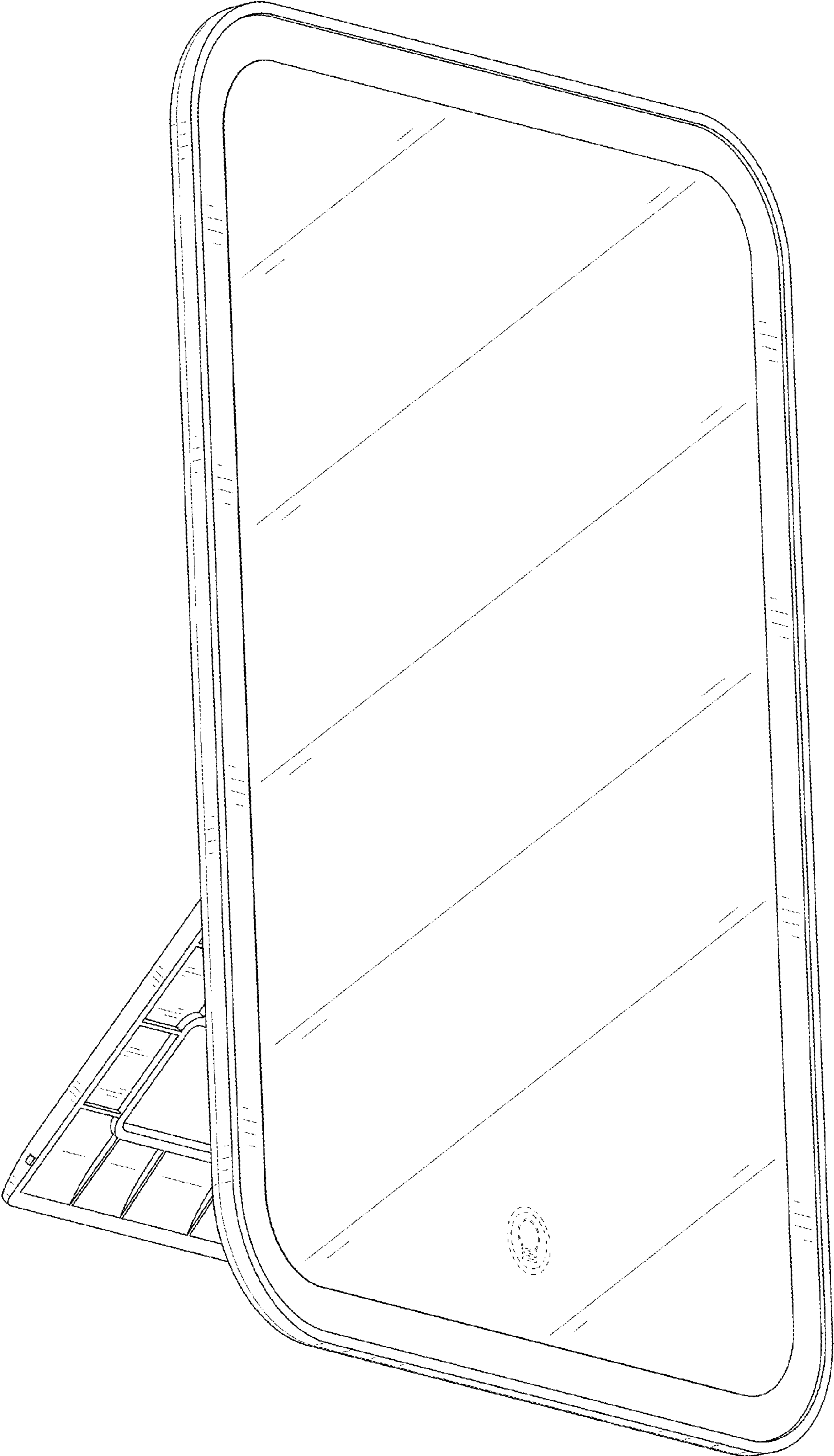


FIG. 1

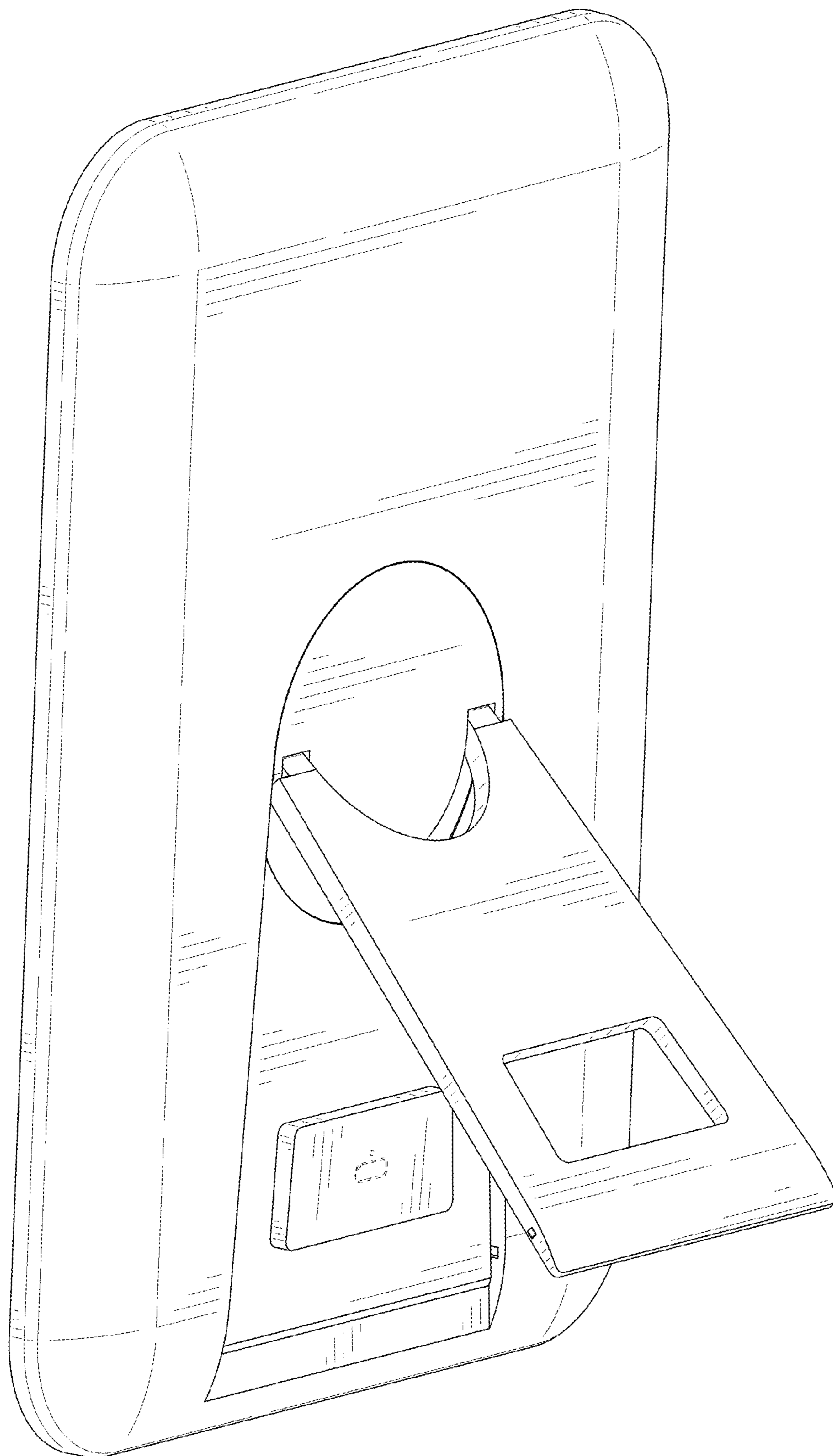


FIG. 2

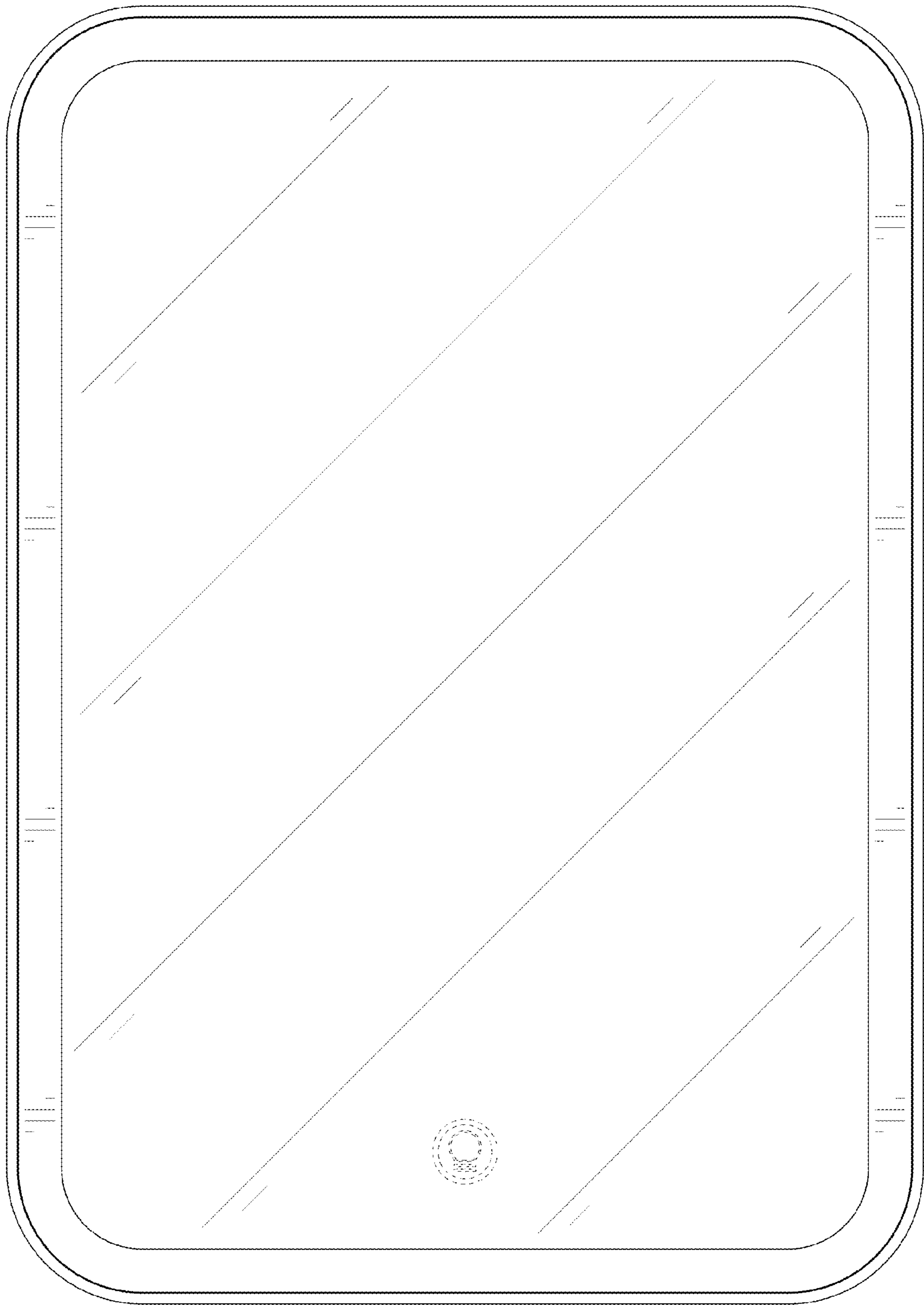


FIG. 3



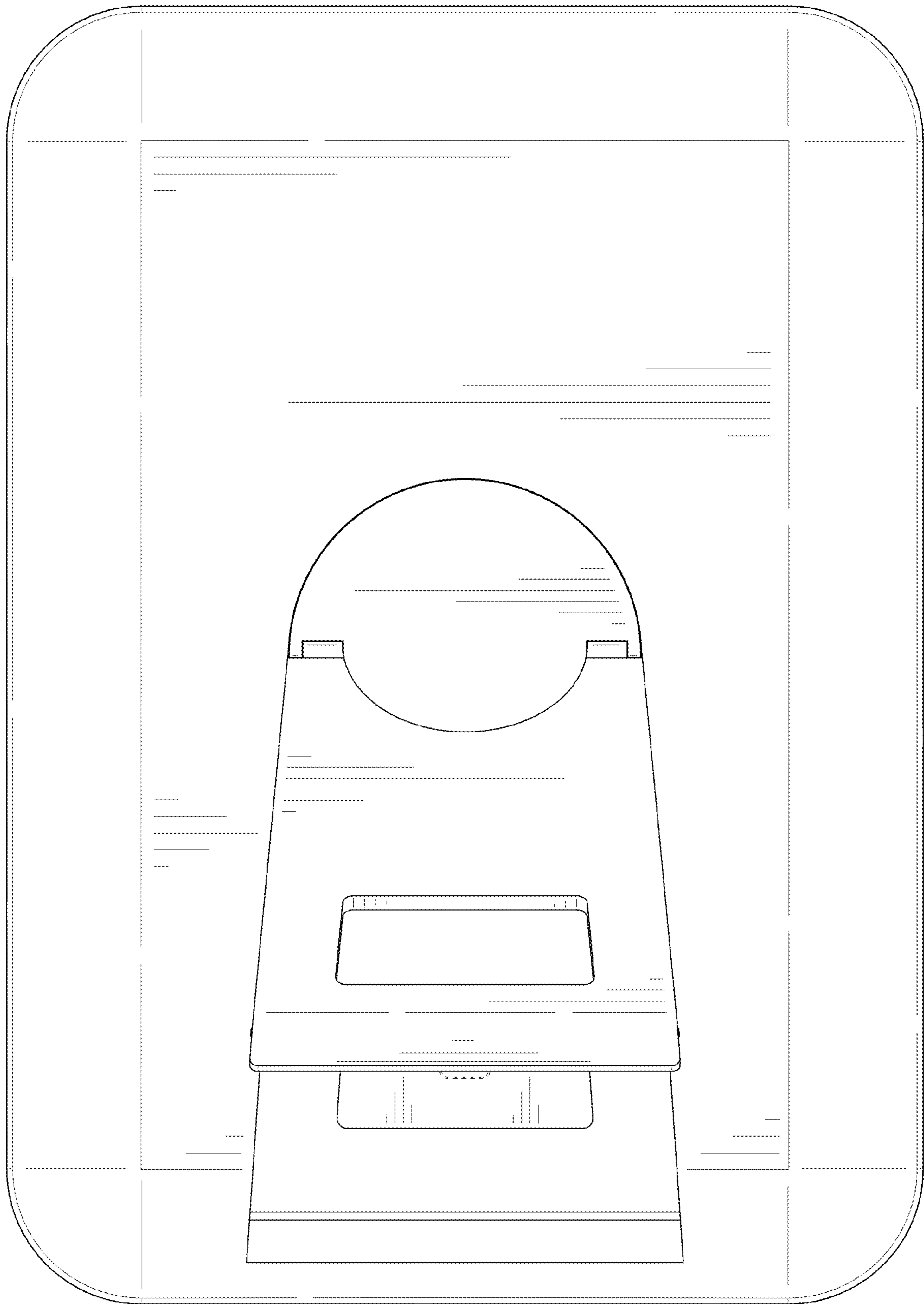


FIG. 4

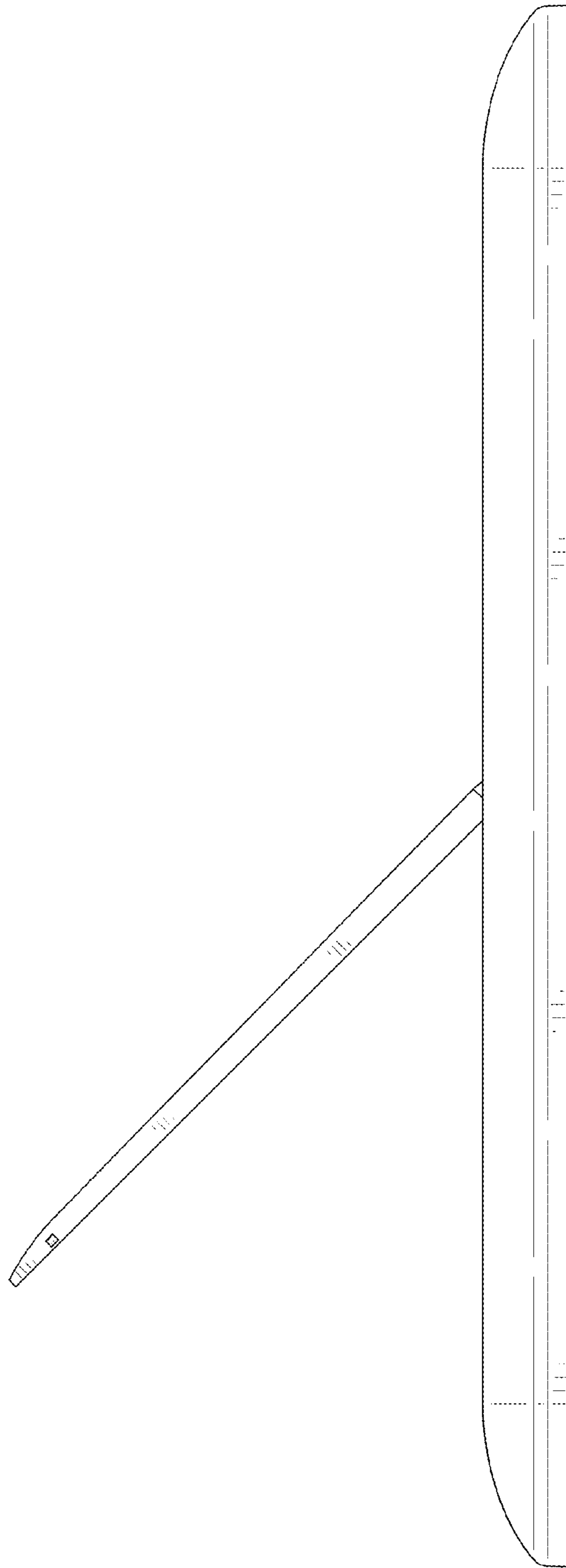


FIG. 5

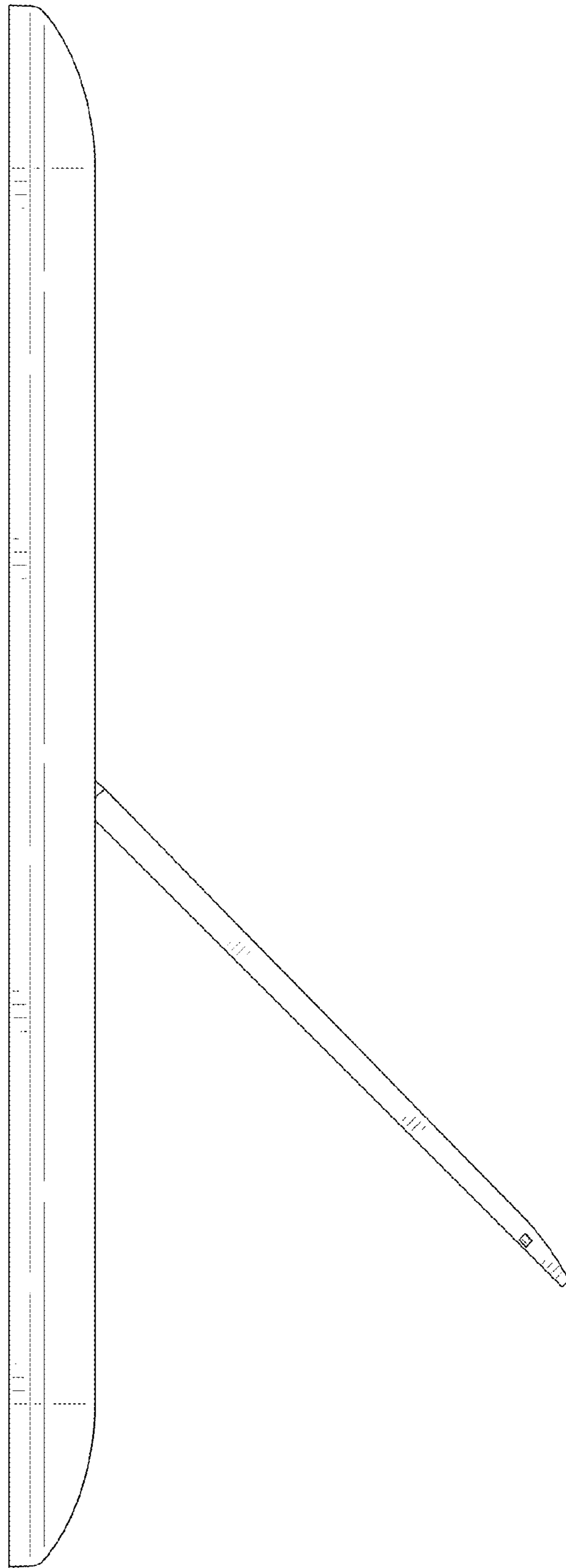


FIG. 6

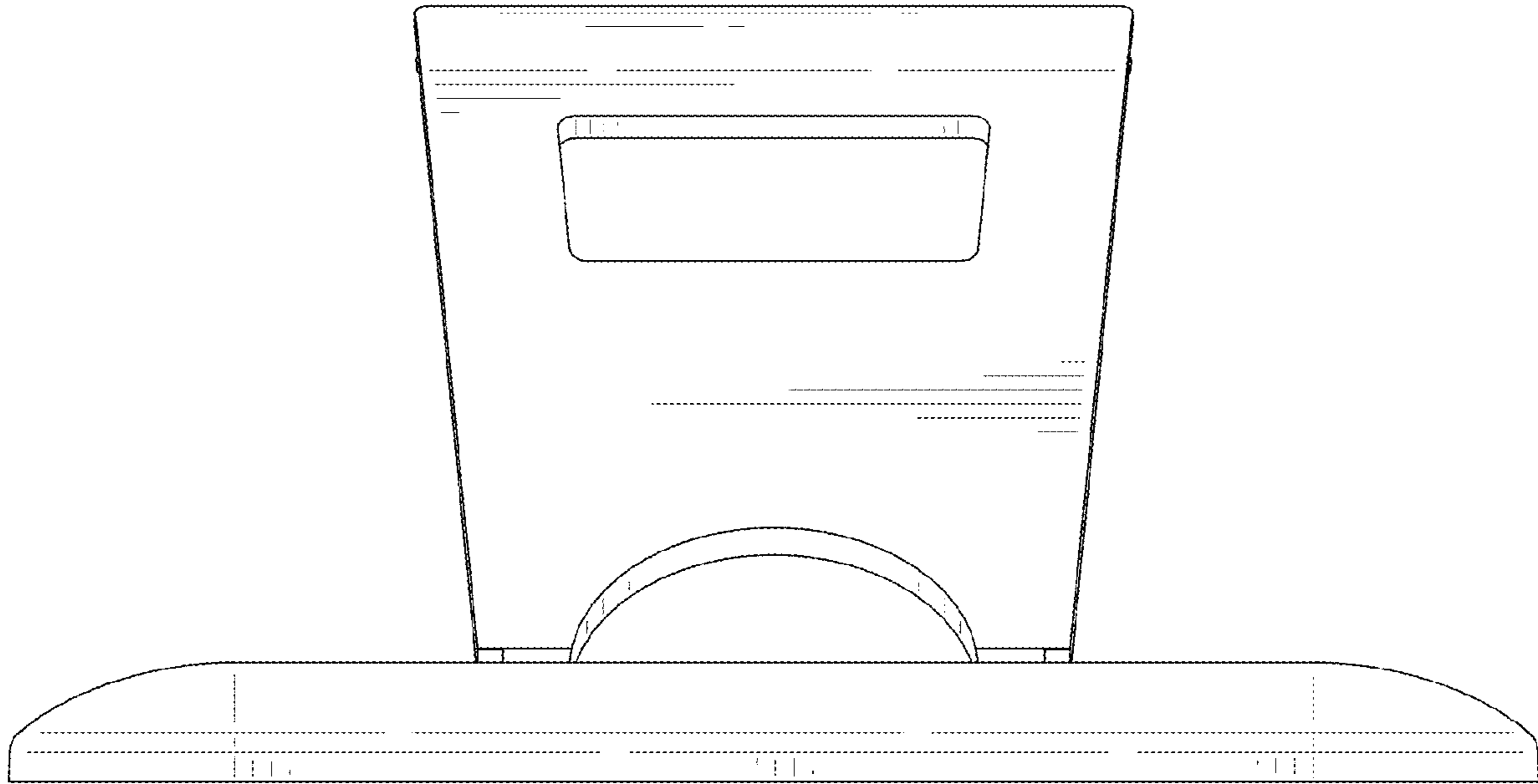


FIG. 7



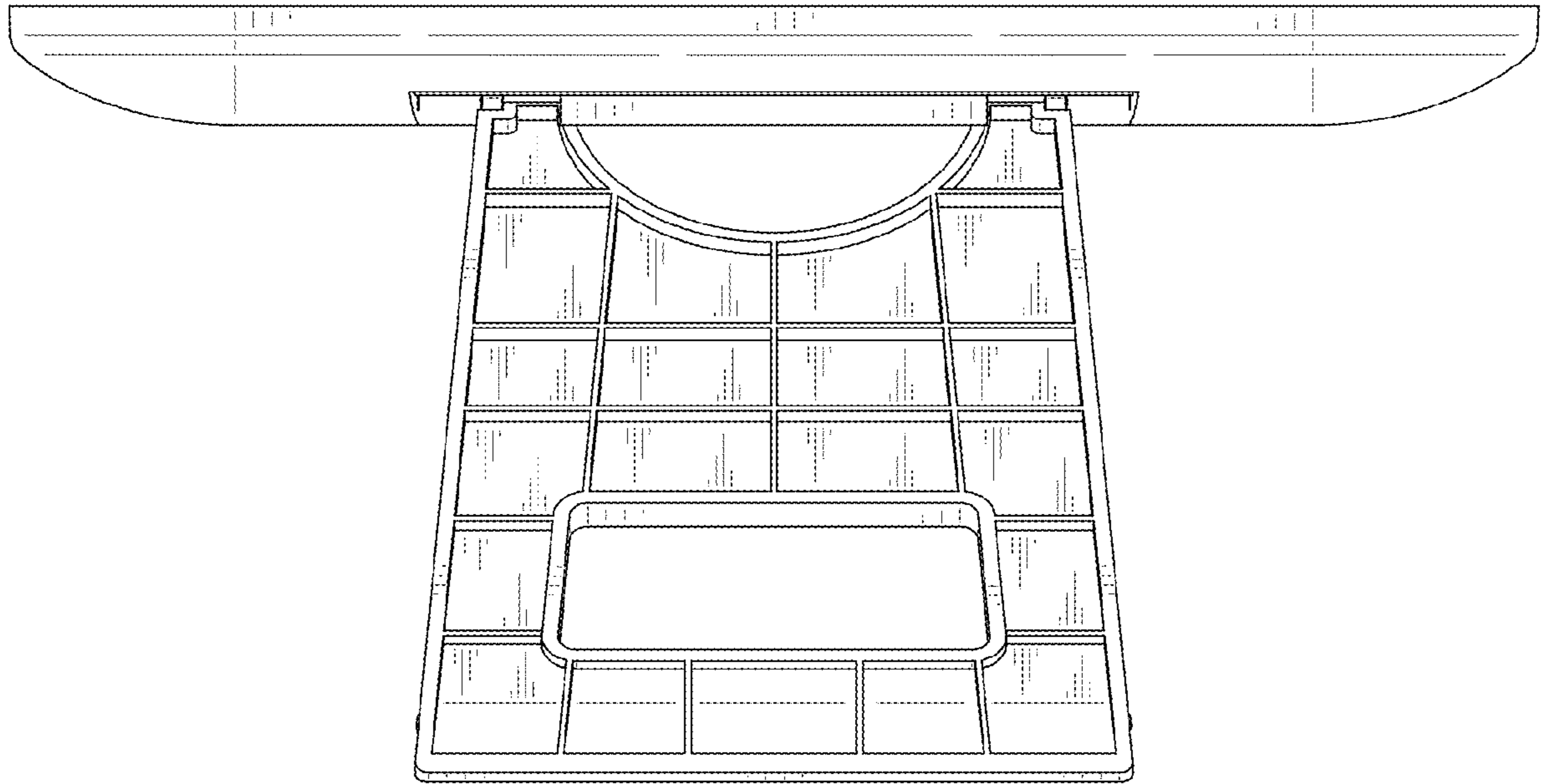


FIG. 8

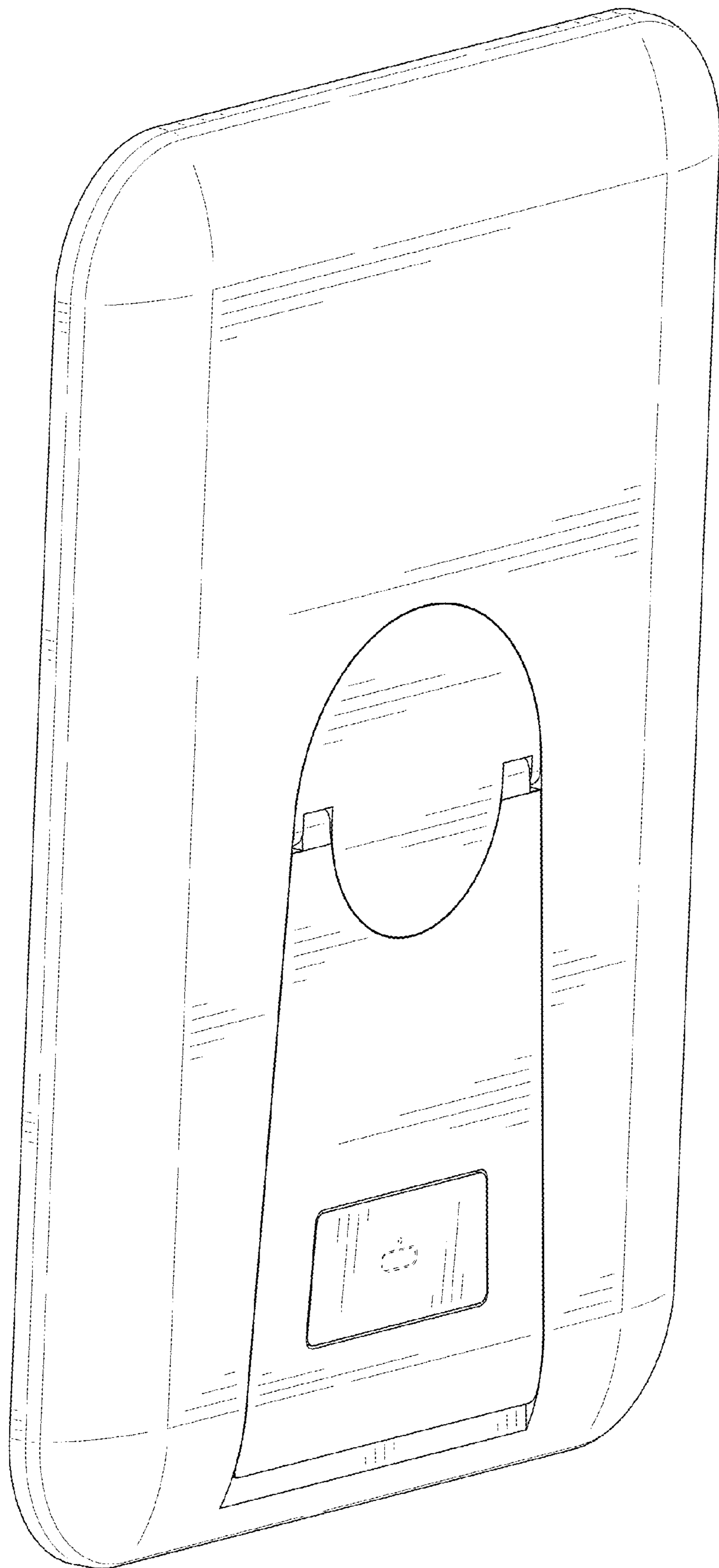


FIG. 9

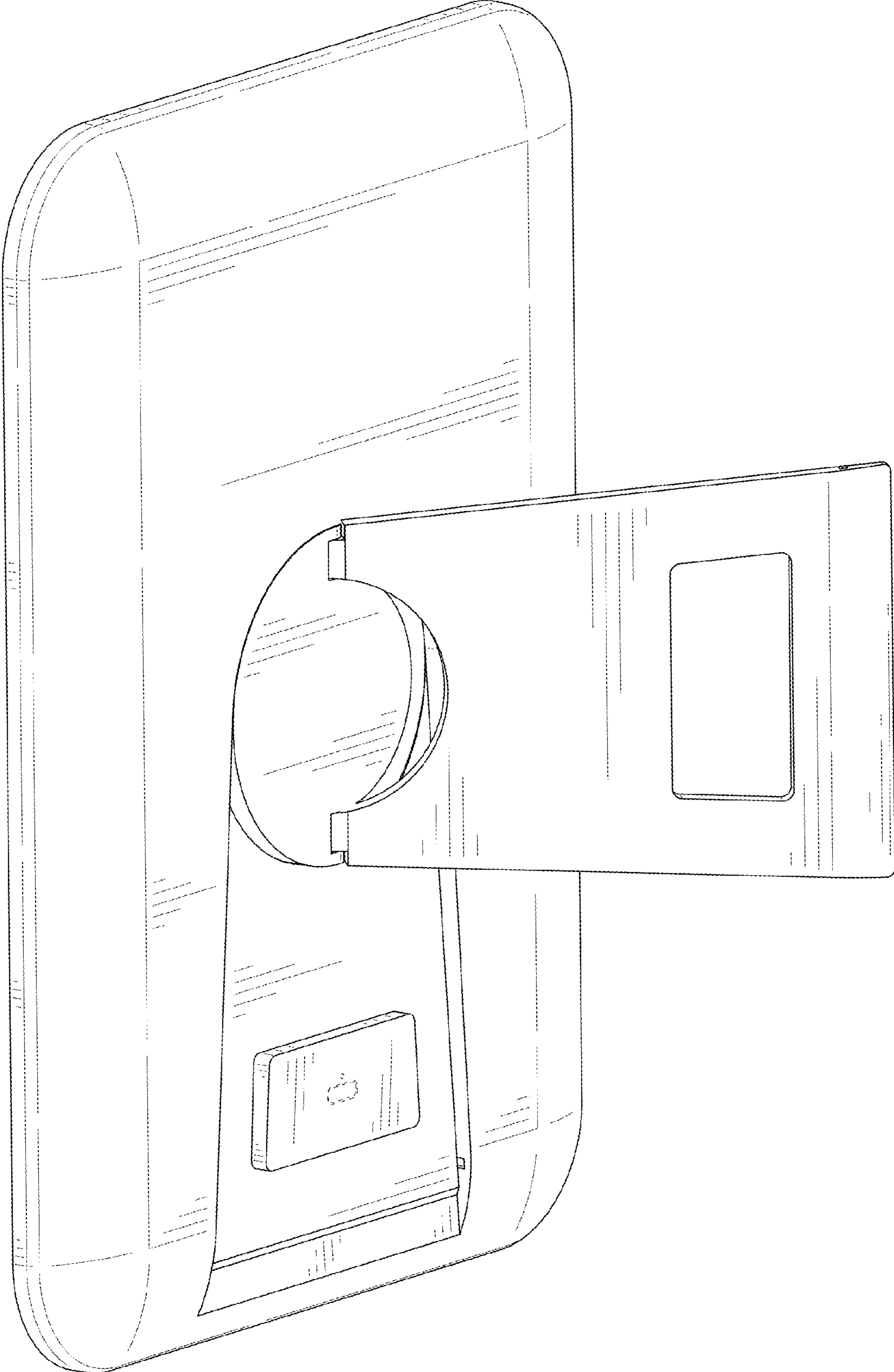


FIG. 10