



US00D925238S

(12) **United States Design Patent**  
**Yang**

(10) **Patent No.:** **US D925,238 S**  
(45) **Date of Patent:** **\*\* Jul. 20, 2021**

- (54) **MAKEUP MIRROR**
- (71) Applicant: **DONGGUAN POWERME PLASTIC MFG. CO., LTD.**, Dongguan (CN)
- (72) Inventor: **Guowei Yang**, Dongguan (CN)
- (73) Assignee: **DONGGUAN POWERME PLASTIC MFG. CO., LTD.**, Dongguan (CN)

- D782,470 S \* 3/2017 Raken ..... D14/341
- D784,995 S \* 4/2017 Akana ..... D14/440
- D792,393 S \* 7/2017 Akana ..... D14/341
- D824,898 S \* 8/2018 Xu ..... D14/341
- D826,930 S \* 8/2018 Iida ..... D14/341
- D865,374 S 11/2019 Yang
- D872,077 S \* 1/2020 Raken ..... D14/341
- D880,171 S 4/2020 Yang
- D889,474 S \* 7/2020 Akana ..... D14/440
- D891,122 S \* 7/2020 Yang ..... D6/308

(Continued)

(\*\*) Term: **15 Years**

**FOREIGN PATENT DOCUMENTS**

(21) Appl. No.: **29/760,821**

- CN 306265393 \* 2/2021
- CN 306437656 \* 4/2021

(Continued)

(22) Filed: **Dec. 4, 2020**

*Primary Examiner* — Deanna L Pratt

(51) **LOC (13) Cl.** ..... **06-07**

(52) **U.S. Cl.**  
USPC ..... **D6/312**

(58) **Field of Classification Search**  
USPC ..... D6/300–314  
CPC .. A47G 1/00; A47G 2001/002; F21V 33/004;  
A45D 42/10

See application file for complete search history.

(57) **CLAIM**

The ornamental design for a makeup mirror, as shown and described.

**DESCRIPTION**

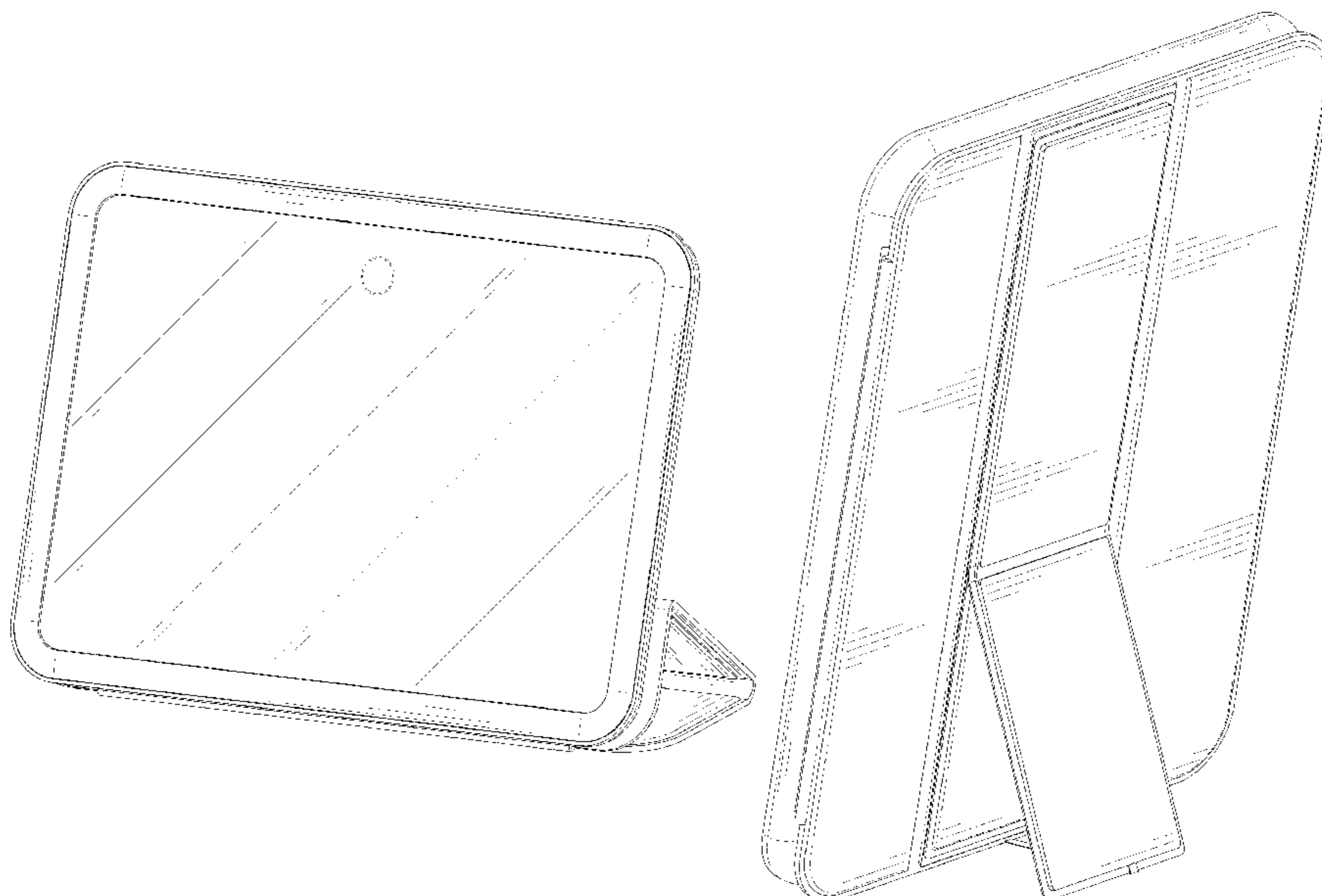
FIG. 1 is a perspective view of a makeup mirror showing my new design;  
 FIG. 2 is another perspective view thereof;  
 FIG. 3 is a front elevational view thereof;  
 FIG. 4 is a rear elevational view thereof;  
 FIG. 5 is a left side elevational view thereof;  
 FIG. 6 is a right side elevational view thereof;  
 FIG. 7 is a top plan view thereof;  
 FIG. 8 is a bottom plan view thereof;  
 FIG. 9 is a perspective view of the makeup mirror where the makeup mirror is in a first configuration of use; and,  
 FIG. 10 is a perspective view of the makeup mirror where the makeup mirror is in a second configuration of use.  
 The broken lines in the drawings depict portions of the makeup mirror that form no part of the claimed design.

(56) **References Cited**

**U.S. PATENT DOCUMENTS**

- D506,074 S \* 6/2005 Chen ..... D6/300
- D609,018 S \* 2/2010 Tzeng ..... D6/308
- D622,514 S \* 8/2010 Park ..... D6/308
- D629,216 S \* 12/2010 Stoddard ..... D6/308
- D658,187 S \* 4/2012 Diebel ..... G06F 1/1679  
D14/440
- D658,188 S \* 4/2012 Diebel ..... D14/440
- D704,702 S \* 5/2014 Akana ..... D14/341
- D705,778 S \* 5/2014 Groene ..... D14/341
- D721,698 S \* 1/2015 Lee ..... D14/316
- D724,579 S \* 3/2015 Moradian ..... D14/341
- D745,511 S \* 12/2015 Lee ..... D14/341
- D745,512 S \* 12/2015 Lee ..... D14/341
- D754,654 S \* 4/2016 Akana ..... D14/341
- D782,469 S \* 3/2017 Raken ..... D14/341

**1 Claim, 10 Drawing Sheets**



(56)

**References Cited**

U.S. PATENT DOCUMENTS

D903,341 S \* 12/2020 Peleman ..... D6/300  
D905,445 S \* 12/2020 Yang ..... D6/310  
D905,974 S \* 12/2020 Chen ..... D6/308  
D910,621 S \* 2/2021 Park ..... D14/345  
D916,470 S \* 4/2021 Liu ..... D6/300  
D916,471 S \* 4/2021 Jiang ..... D6/308

FOREIGN PATENT DOCUMENTS

CN 306518355 \* 5/2021  
CN 306527464 \* 5/2021

\* cited by examiner

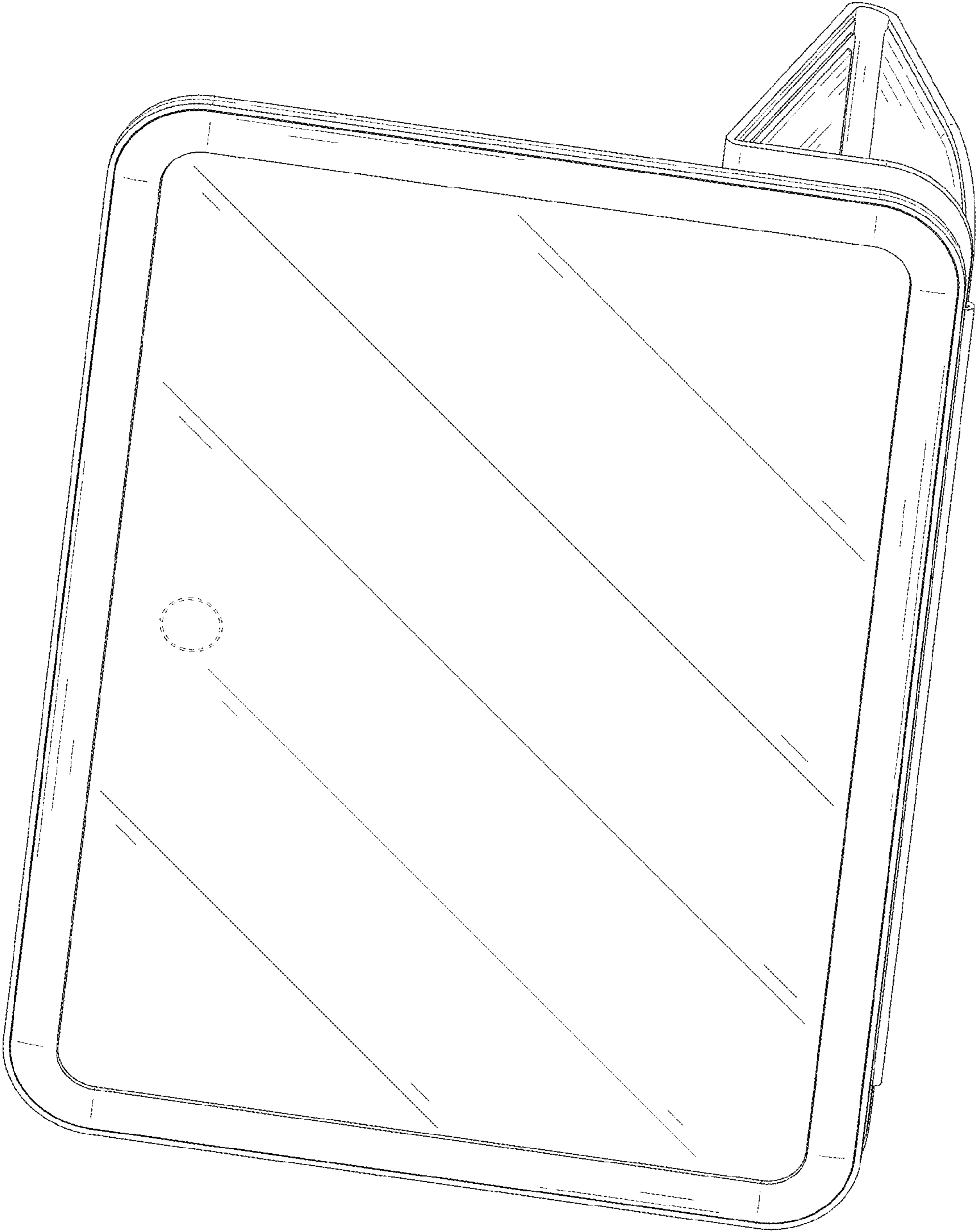


FIG. 1

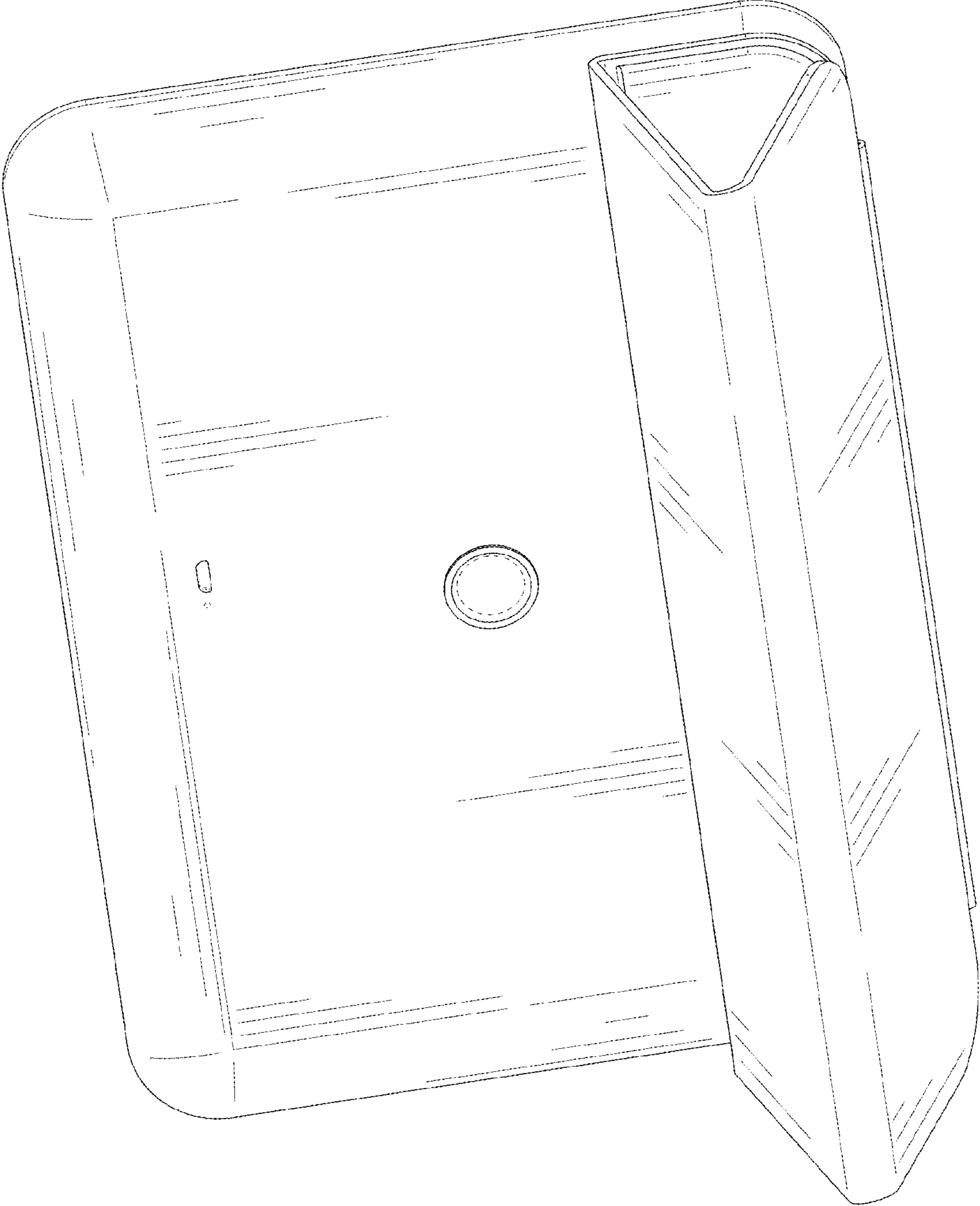


FIG. 2

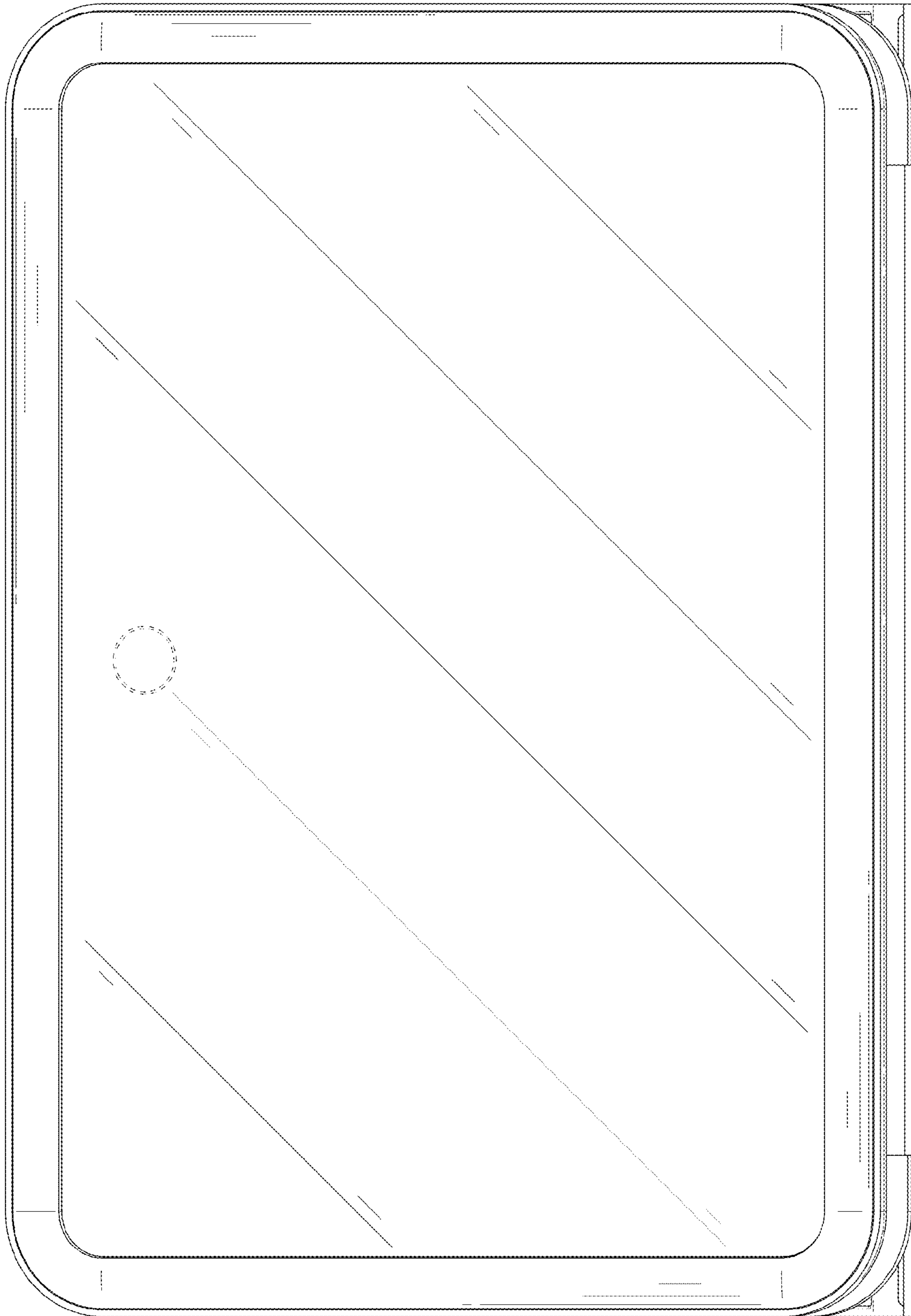


FIG. 3

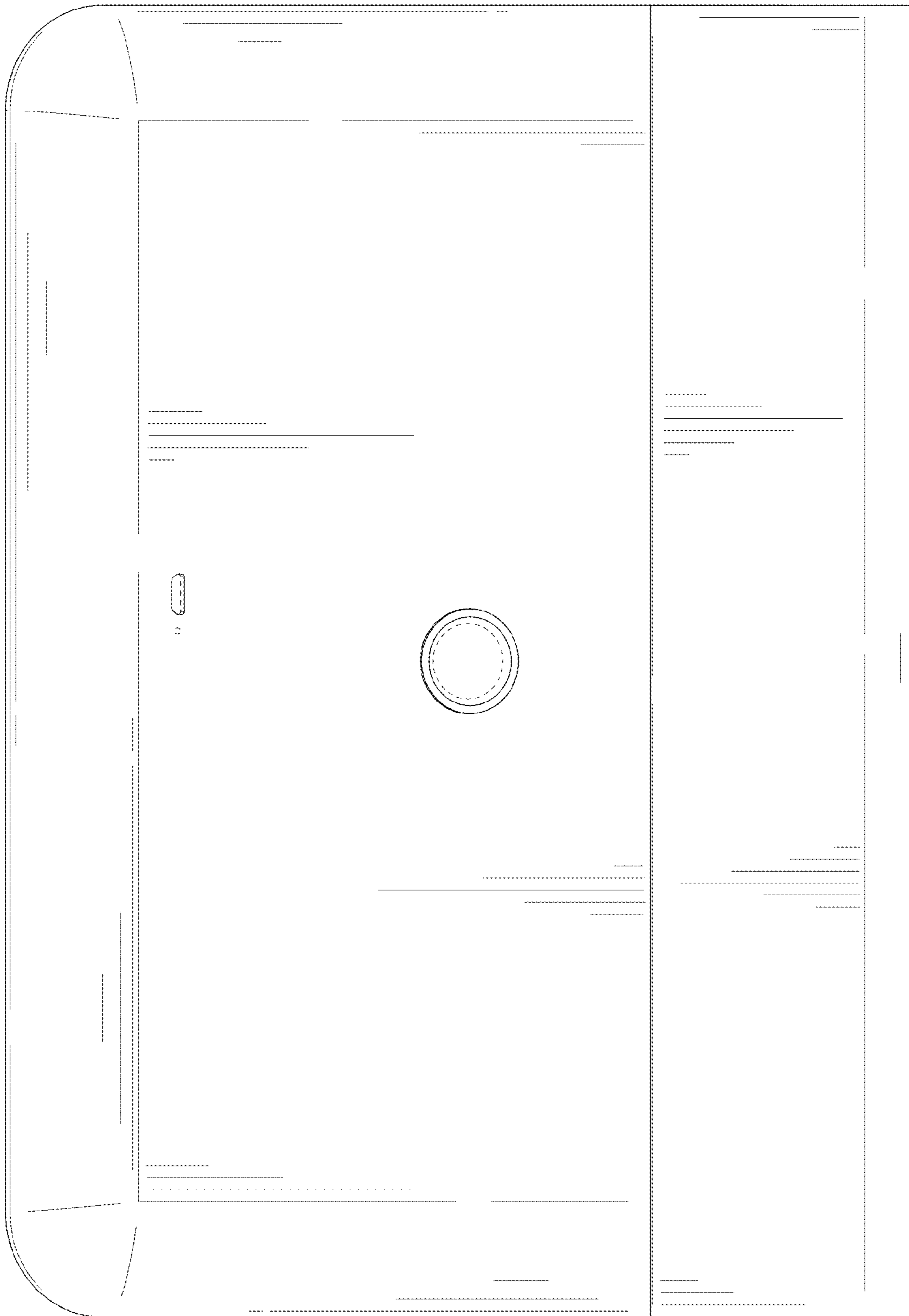


FIG. 4

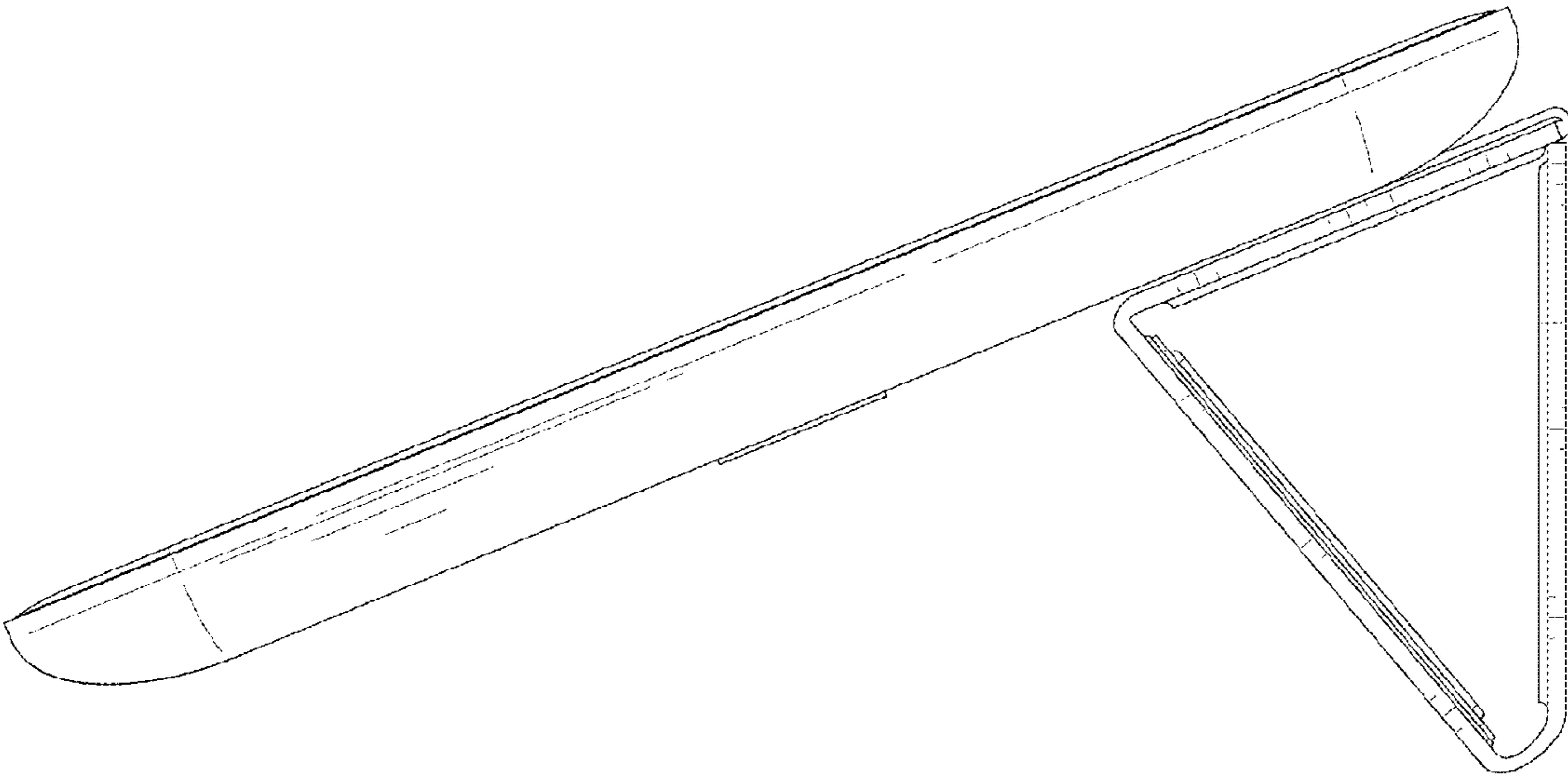


FIG. 5

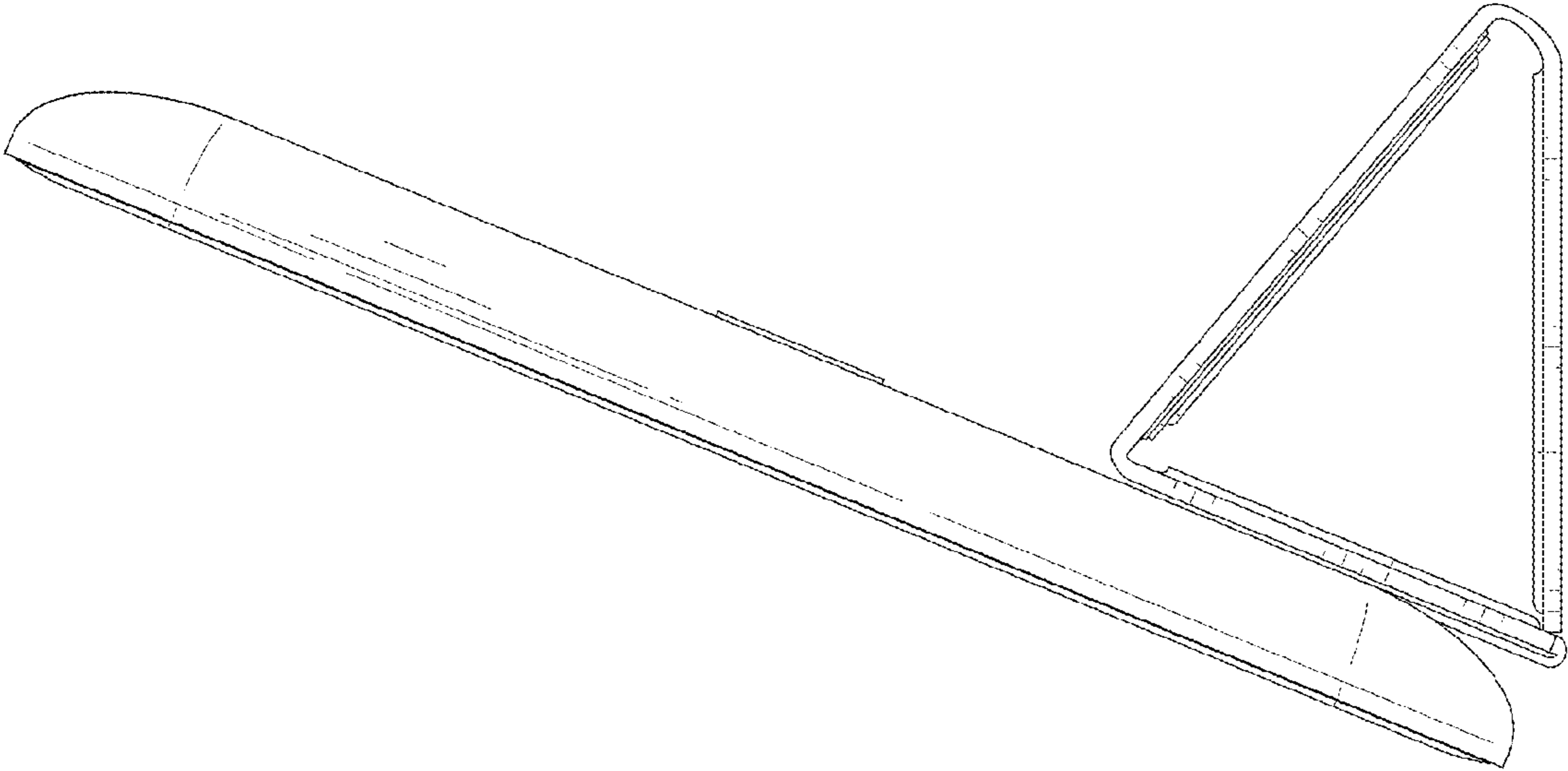


FIG. 6



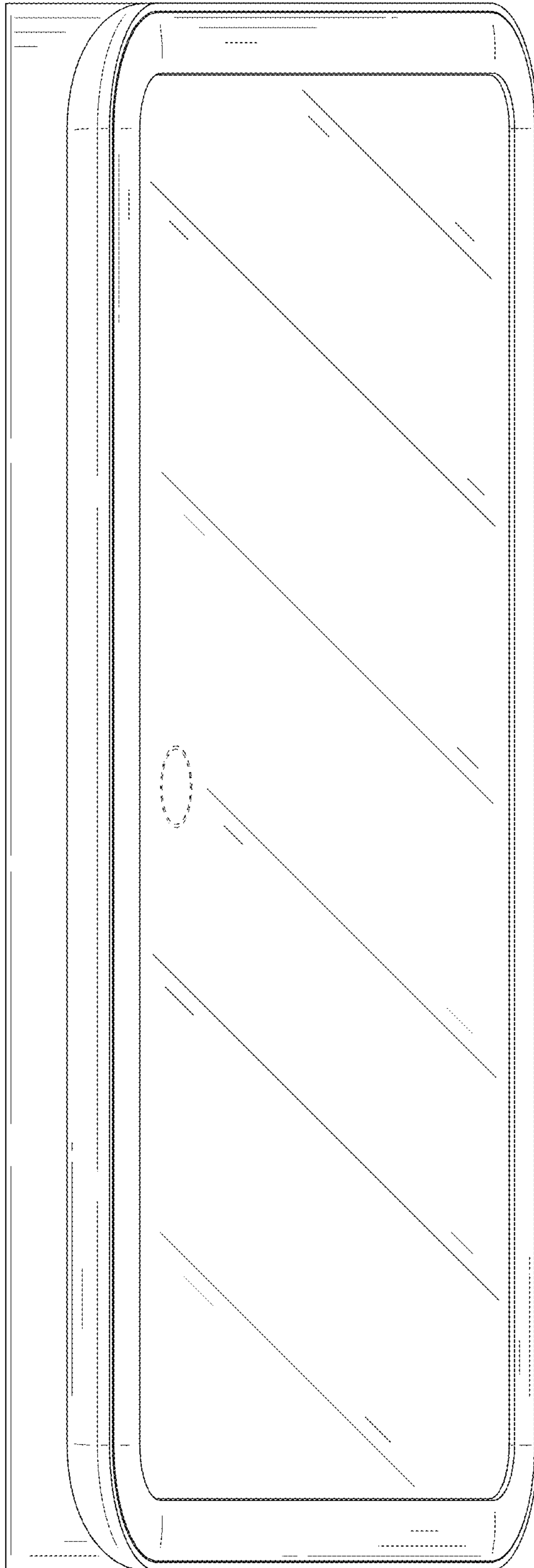


FIG. 7

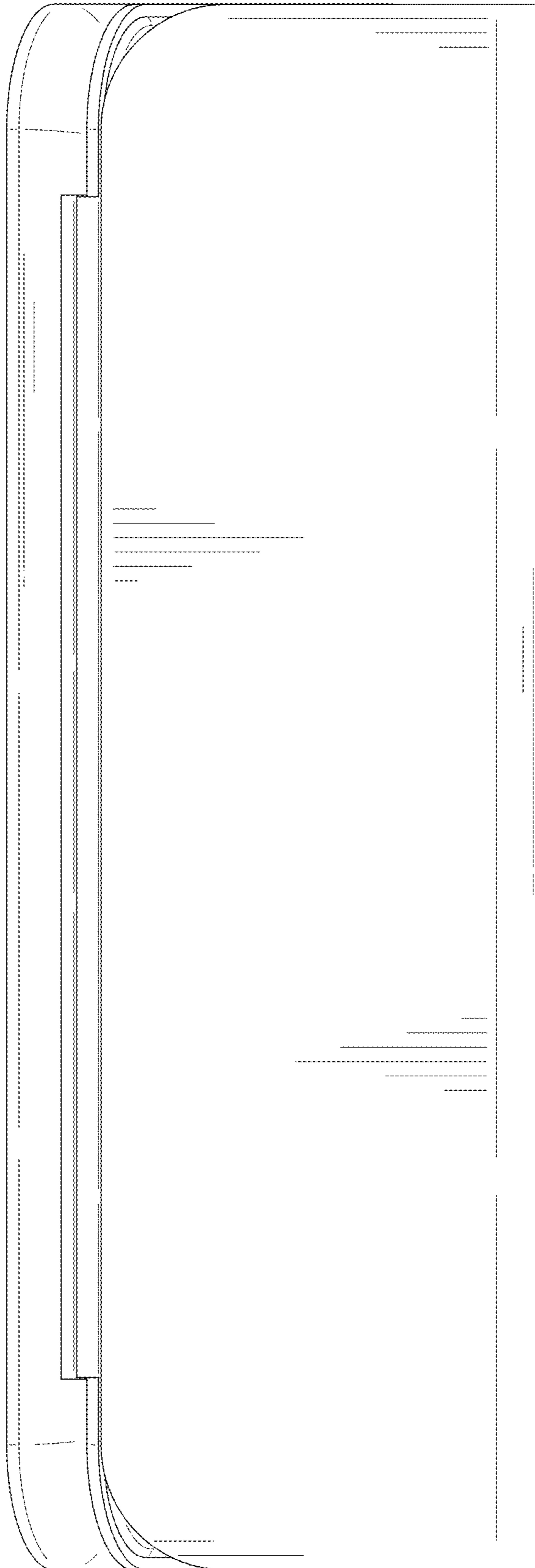


FIG. 8

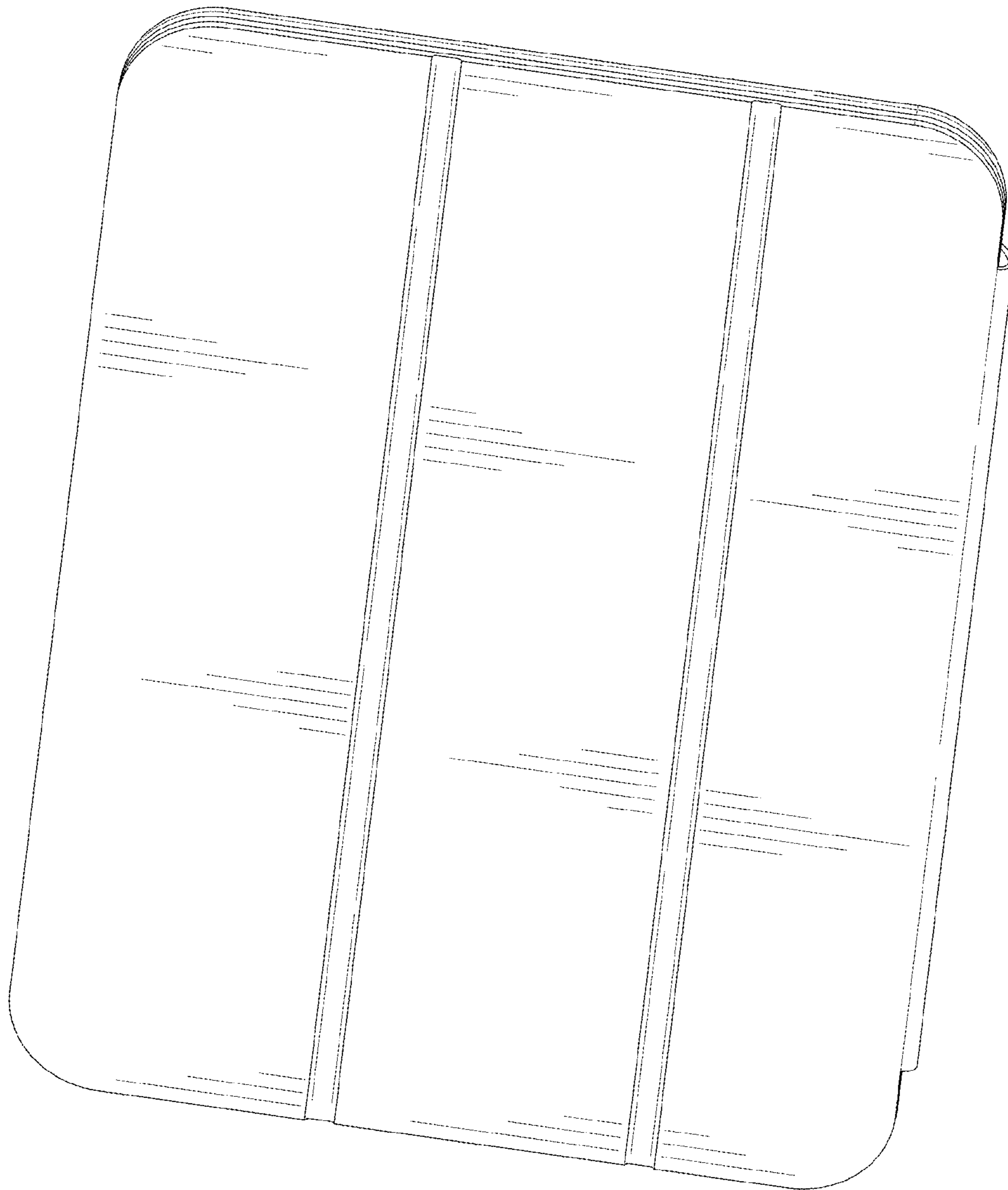


FIG. 9

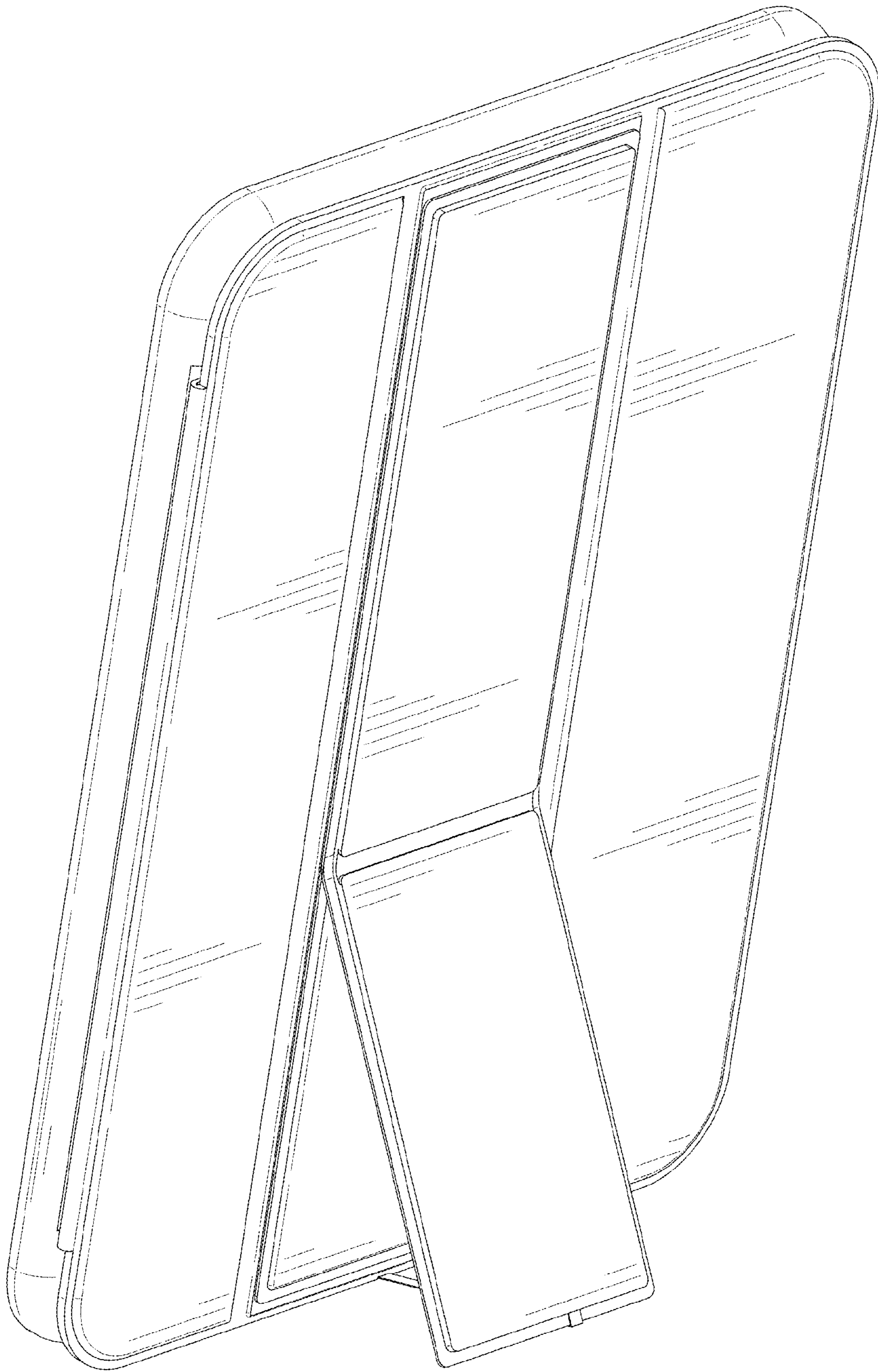


FIG. 10