



US00D925235S

(12) **United States Design Patent**
Omdahl, II

(10) **Patent No.:** **US D925,235 S**
(45) **Date of Patent:** **** Jul. 20, 2021**

(54) **BRUSH**
(71) Applicant: **Runway Blue, LLC**, Alpine, UT (US)
(72) Inventor: **John R. Omdahl, II**, Lindon, UT (US)
(73) Assignee: **Runway Blue, LLC**, Alpine, UT (US)
(**) Term: **15 Years**

D489,536 S * 5/2004 Dunn D4/131
7,017,222 B2 * 3/2006 Dunn A46B 5/0095
15/106
D539,997 S * 4/2007 Hay D32/35
D625,924 S * 10/2010 Juergens D4/128
D647,703 S * 11/2011 Li D4/128
D694,018 S * 11/2013 Williams D4/128
D837,530 S * 1/2019 Renner D4/128
2019/0082820 A1 * 3/2019 Schuster E03C 1/302
2020/0305590 A1 * 10/2020 Dunn A46B 15/0095

(21) Appl. No.: **29/700,869**
(22) Filed: **Aug. 6, 2019**
(51) **LOC (13) Cl.** **04-01**
(52) **U.S. Cl.**
USPC **D4/138**
(58) **Field of Classification Search**
USPC D4/100, 102, 109, 114, 115, 116, 117,
D4/118, 119, 120, 121, 122, 123, 124,
D4/125, 126, 127, 128, 129, 130, 131,
D4/132, 133, 134, 135, 136, 137, 138,
D4/199; D32/40, 41, 42, 46, 49, 50, 51;
15/245
CPC A46B 5/02; A46B 2200/3013; A46B
2200/3006; A46B 2200/3073; A46B
5/021; A46B 5/0016; A47L 17/00
See application file for complete search history.

* cited by examiner

Primary Examiner — Karen E Eldridge Powers
(74) *Attorney, Agent, or Firm* — Sterne, Kessler,
Goldstein & Fox P.L.L.C.

(57) **CLAIM**

The ornamental design for a brush, as shown and described.

DESCRIPTION

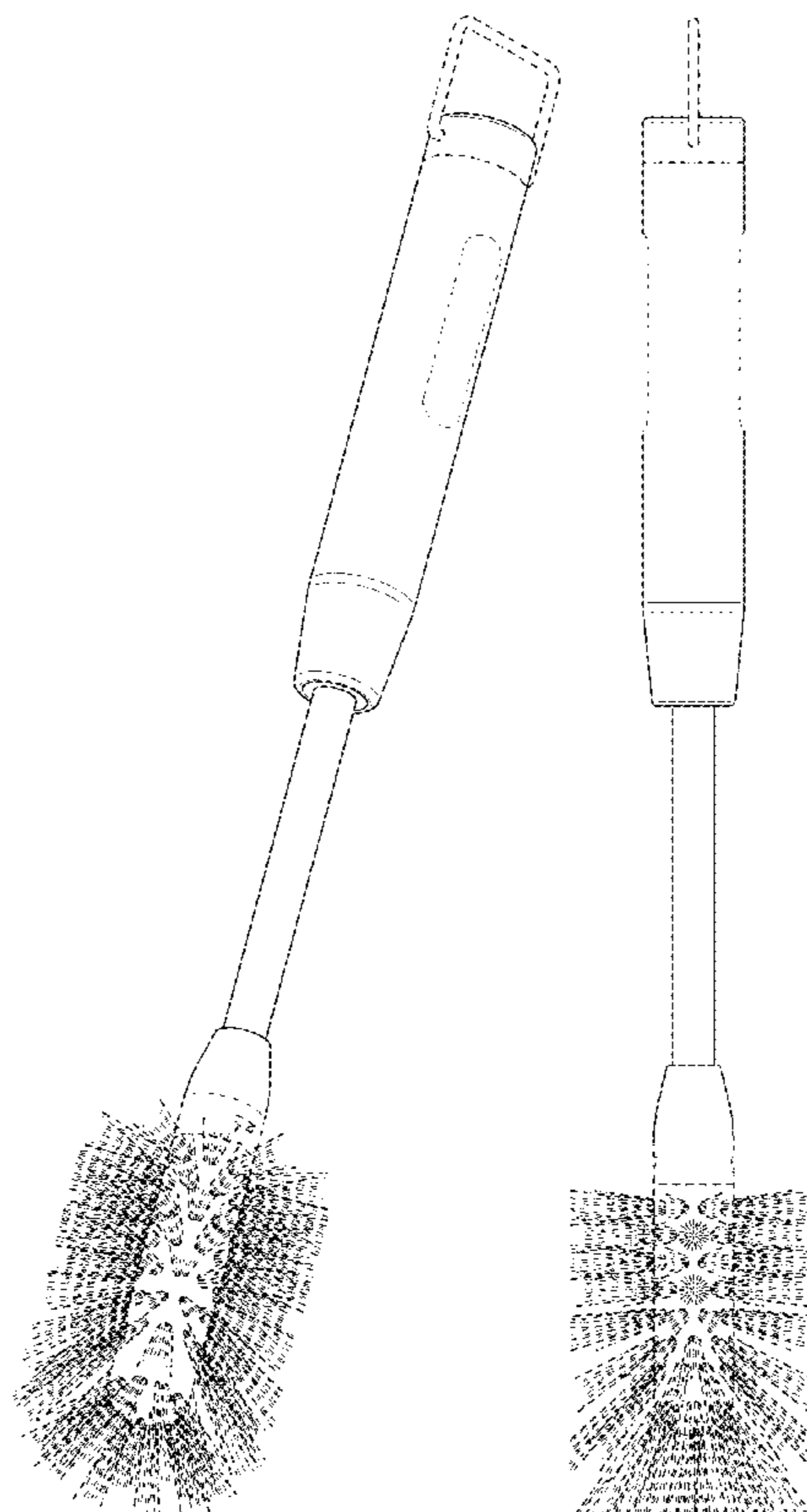
FIG. 1 is a top front perspective view of a brush showing the claimed design;
FIG. 2 is a bottom rear perspective view thereof;
FIG. 3 is a front elevation view thereof;
FIG. 4 is a rear elevation view thereof;
FIG. 5 is a left side elevation view thereof;
FIG. 6 is a right side elevation view thereof;
FIG. 7 is a top plan view thereof; and,
FIG. 8 is a bottom plan view thereof.
The broken lines in the figures show portions of the brush that form no part of the claimed design.

(56) **References Cited**

U.S. PATENT DOCUMENTS

D358,714 S * 5/1995 Shaner D4/116
D452,080 S * 12/2001 Petner D4/114

1 Claim, 5 Drawing Sheets



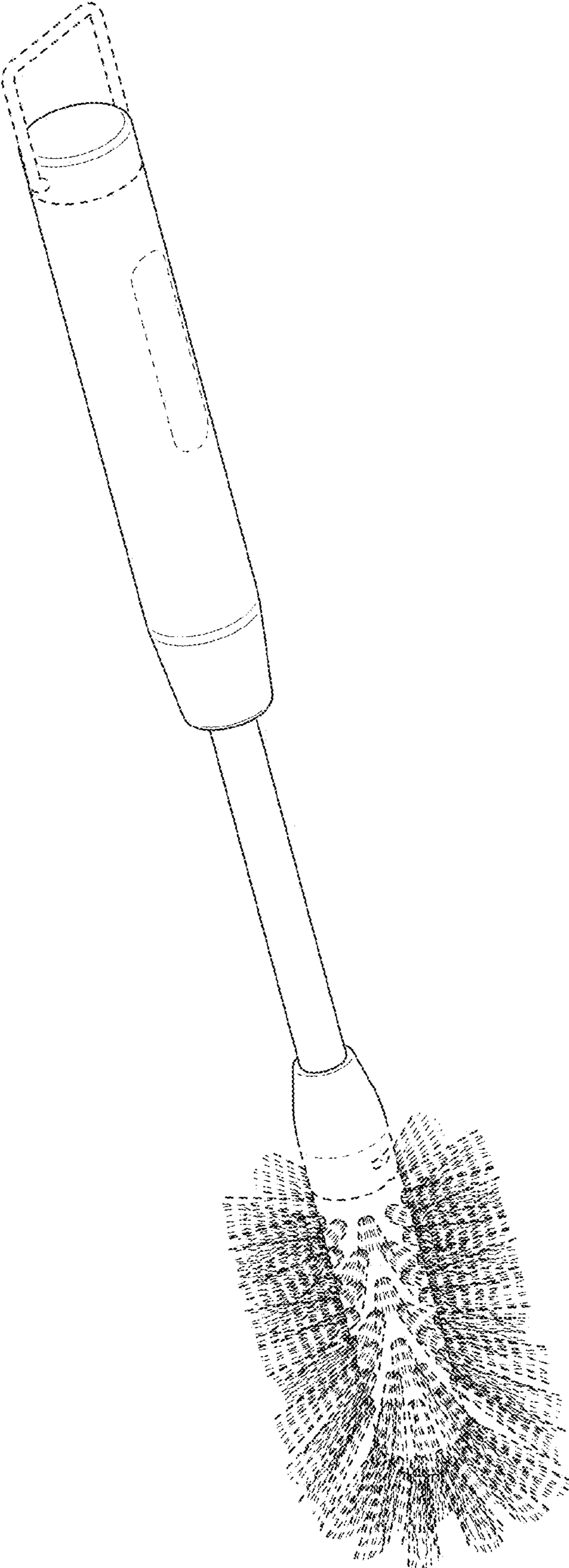


FIG. 1

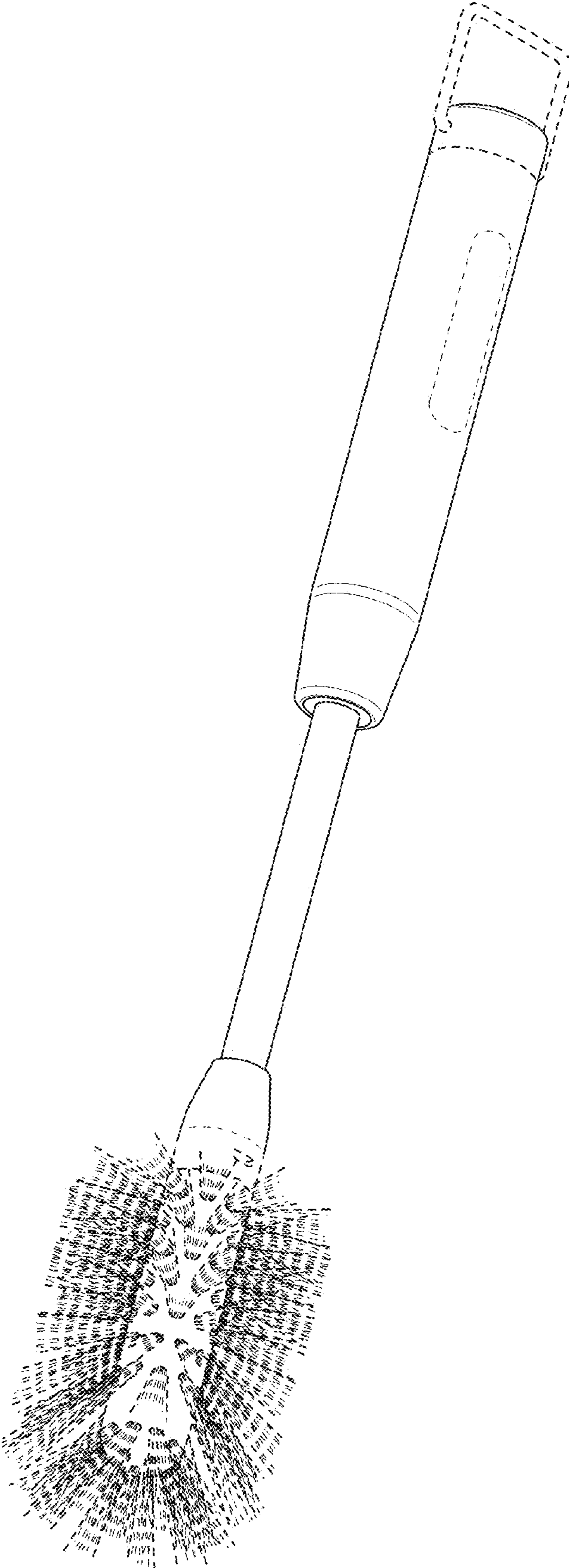


FIG. 2

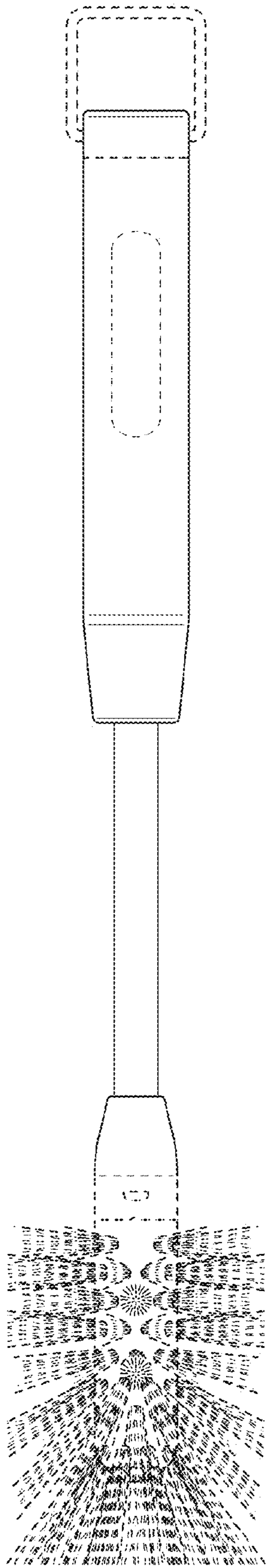


FIG. 3

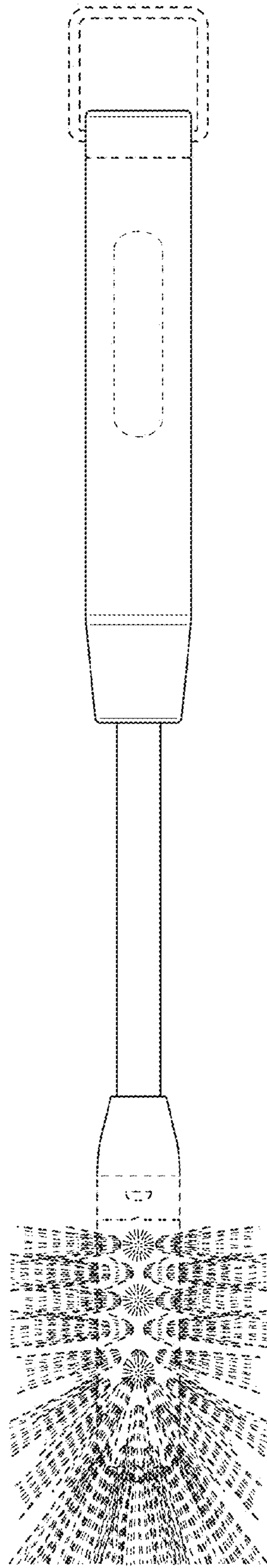


FIG. 4

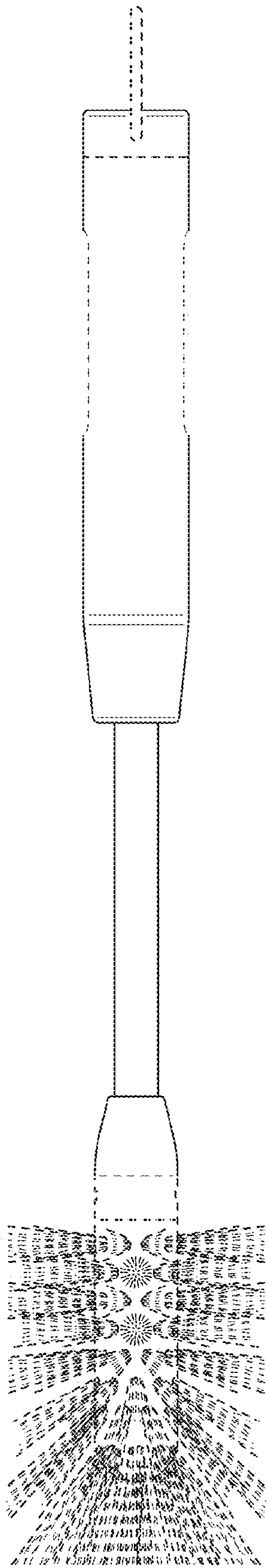


FIG. 5

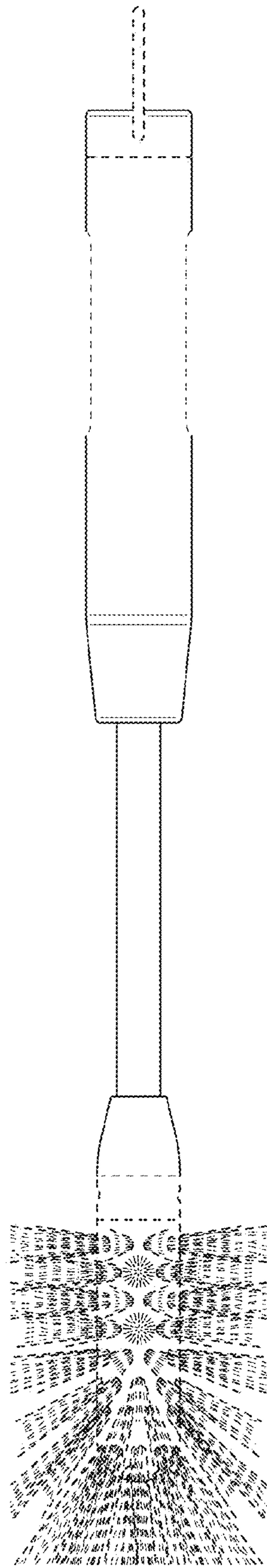


FIG. 6

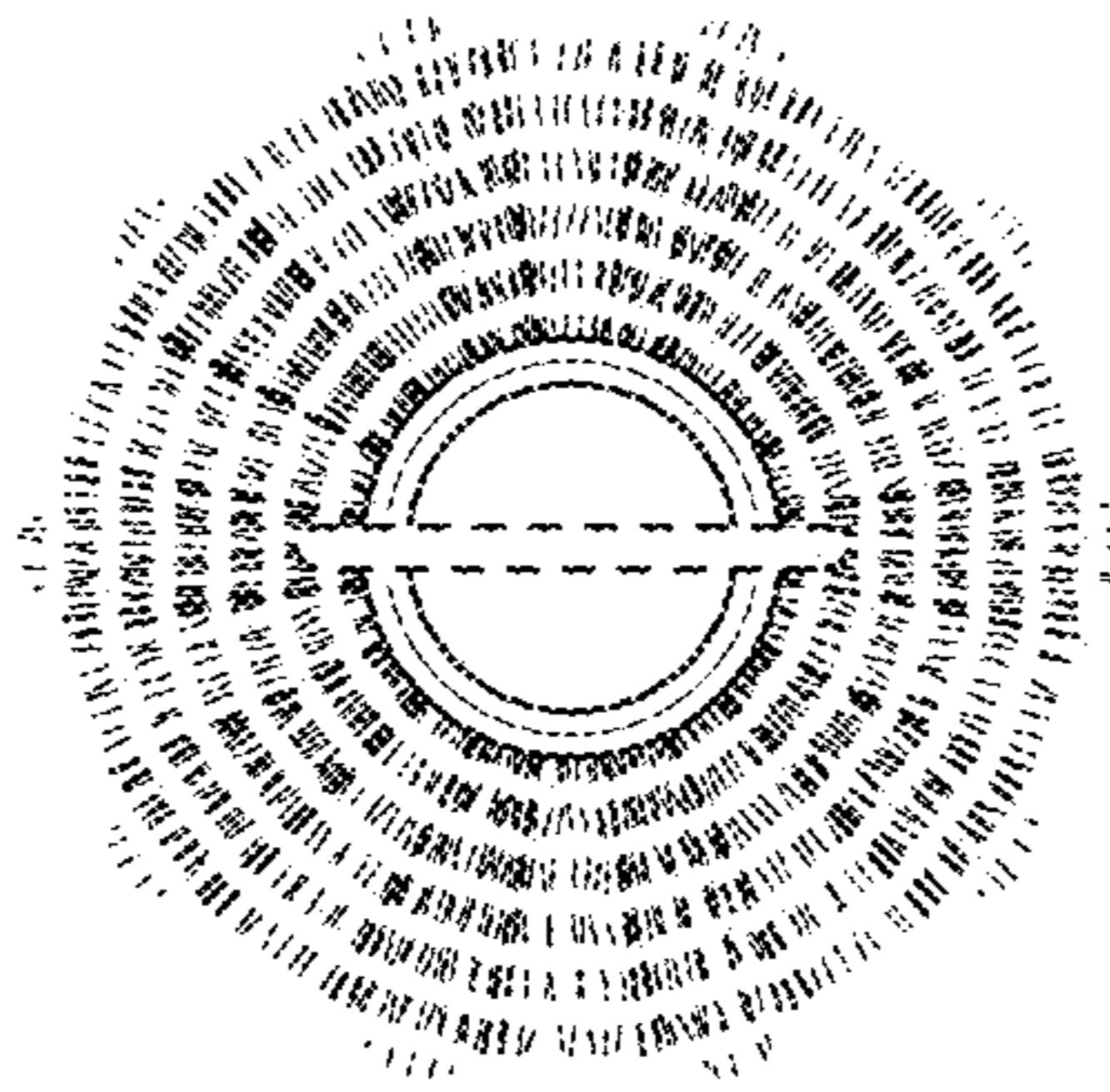


FIG. 7

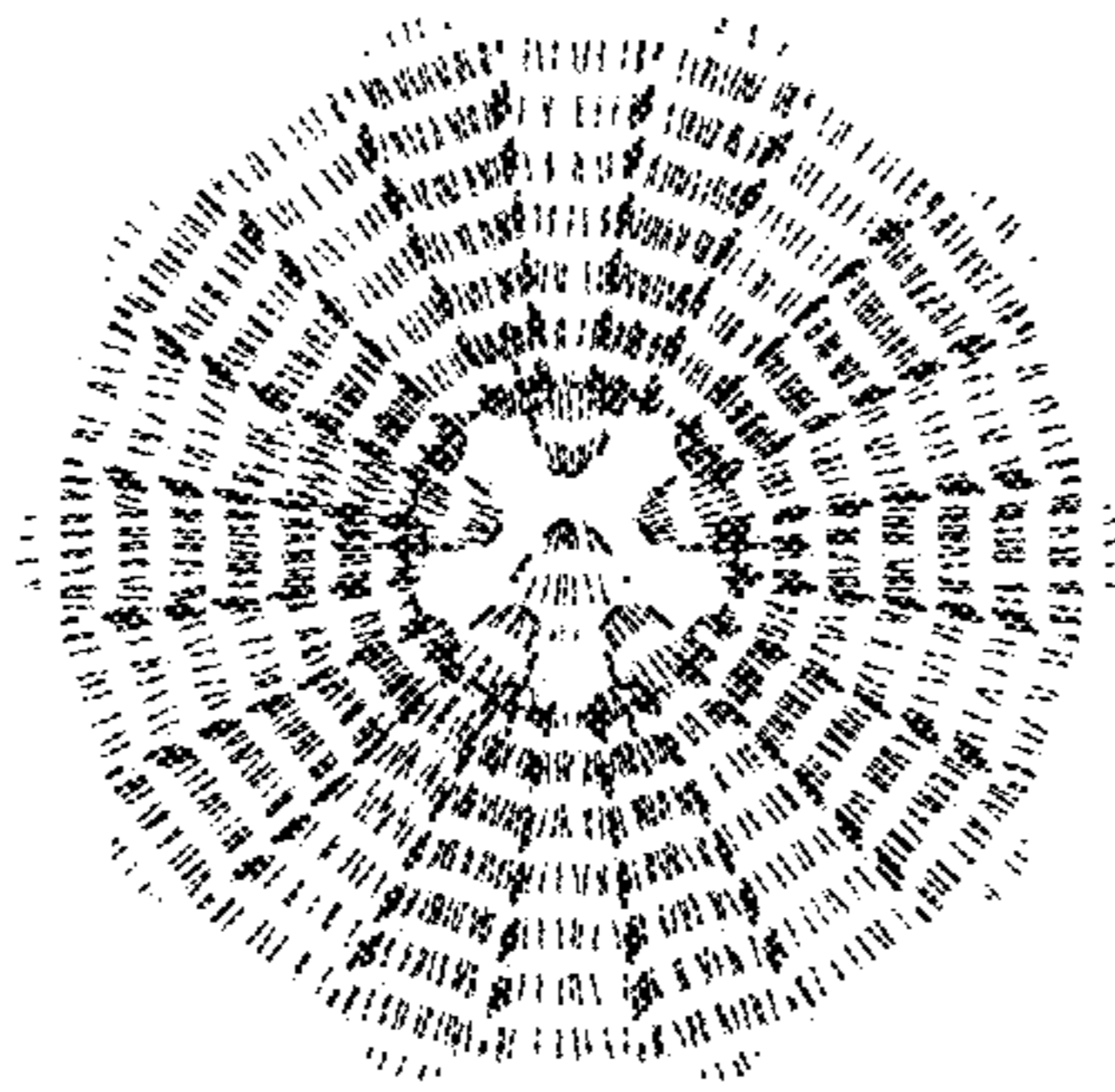


FIG. 8