



US00D925234S

(12) **United States Design Patent**
Waxman

(10) **Patent No.:** **US D925,234 S**
(45) **Date of Patent:** **** Jul. 20, 2021**

(54) **SNOW BRUSH**

(71) Applicant: **WAXMAN SALES, LLC**, Austin, TX (US)
(72) Inventor: **Adam Waxman**, Austin, TX (US)
(73) Assignee: **Waxman Sales, LLC**, Austin, TX (US)
(**) Term: **15 Years**

(21) Appl. No.: **29/727,524**

(22) Filed: **Mar. 11, 2020**

(51) **LOC (13) Cl.** **04-01**

(52) **U.S. Cl.**
USPC **D4/118**

(58) **Field of Classification Search**
USPC D4/116–118, 121, 130, 132, 134, 138;
D32/35, 40–42, 46, 49, 51, 52
CPC .. A46B 3/18; A46B 5/00; A46B 9/021; A46B
11/00; A46B 11/0003; A46B 2200/1053;
A45D 40/26; A45D 40/265
See application file for complete search history.

(56) **References Cited**

U.S. PATENT DOCUMENTS

D232,299 S *	8/1974	Clements	B25G 3/38
				D4/118
D485,031 S *	1/2004	Anderson	A46B 15/0081
				D32/42
D485,656 S *	1/2004	Anderson	A46B 15/0081
				D32/42
D597,315 S *	8/2009	Hoffelner	D4/118
D656,735 S *	4/2012	Zupan	D4/116
D685,554 S *	7/2013	Malvasio	D32/40
10,856,650 B2 *	12/2020	Lafleur	A46B 15/0081
2004/0250365 A1 *	12/2004	Anderson	A46B 15/0081
				15/111
2019/0328125 A1 *	10/2019	Lafleur	A46B 15/0081
2021/0016429 A1 *	1/2021	Savard	B25G 3/38

OTHER PUBLICATIONS

Amazon.com; ‘Snow Moover 39" Extendable Snow Brush . . . ’; [online] ‘https://www.amazon.com/Snow-Extendable-Squeegee-Scrapers-Emergency/dp/B077GD4XPV/’; dated Oct. 23, 2017; accessed Mar. 12, 2021; 4pgs. (Year: 2017).*
Birdrockhome.com; ‘Snow Removal’; [online] ‘https://www.birdrockhome.com/automotive/snow-removal’; dated Dec. 3, 2020 via Wayback Machine; accessed Mar. 12, 2021; 1pg. (Year: 2020).*

* cited by examiner

Primary Examiner — Keli L Hill

(74) *Attorney, Agent, or Firm* — K&L Gates LLP

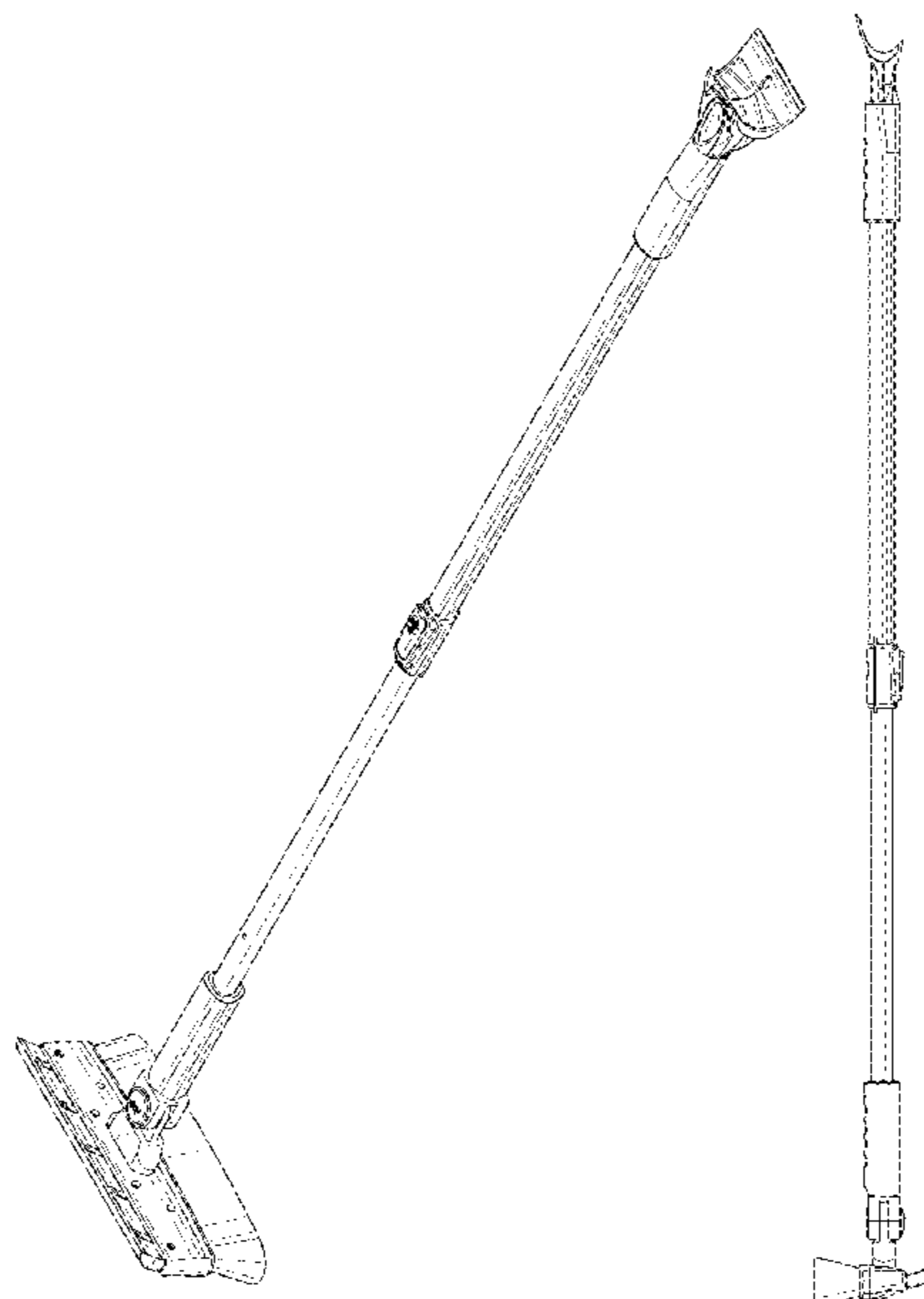
(57) **CLAIM**

The ornamental design for a snow brush, as shown and described.

DESCRIPTION

FIG. 1 illustrates a perspective view of a snow brush embodying the invention.
FIG. 2 illustrates a front view of the snow brush shown in FIG. 1.
FIG. 3 illustrates a rear view of the snow brush shown in FIG. 1.
FIG. 4 illustrates a right side view of the snow brush shown in FIG. 1.
FIG. 5 illustrates a left side view of the snow brush shown in FIG. 1.
FIG. 6 illustrates a top view of the snow brush shown in FIG. 1; and,
FIG. 7 illustrates a bottom view of the snow brush shown in FIG. 1.

1 Claim, 4 Drawing Sheets



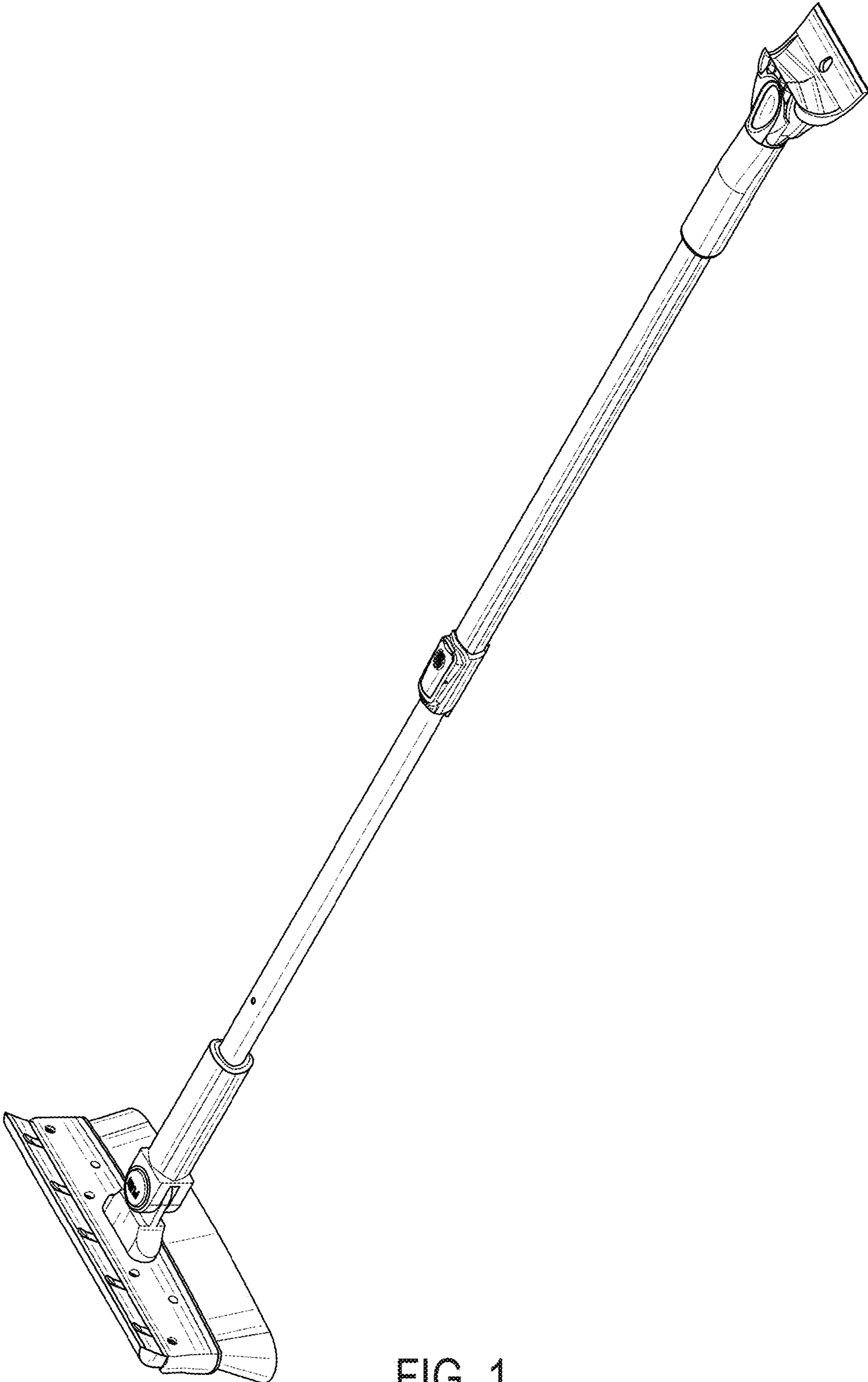


FIG. 1

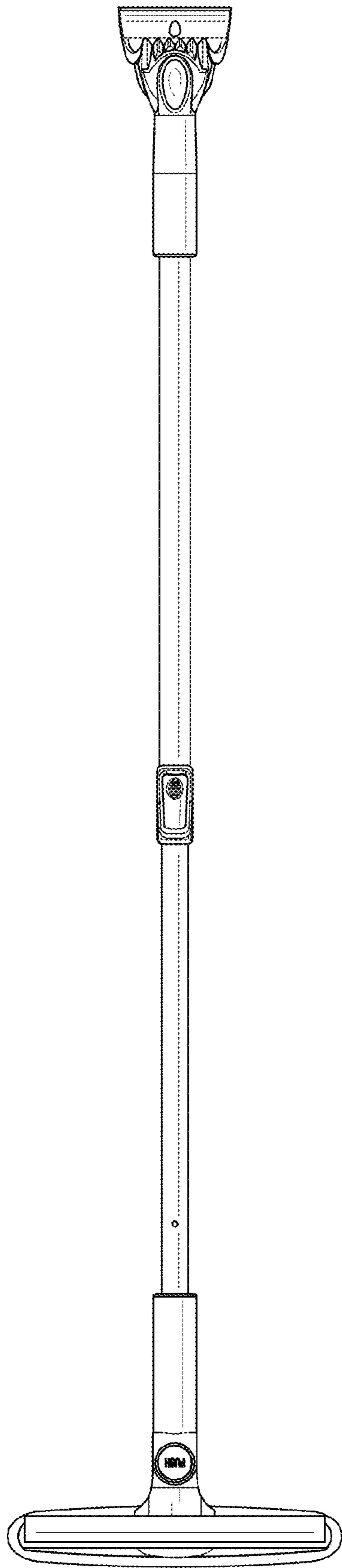


FIG. 2

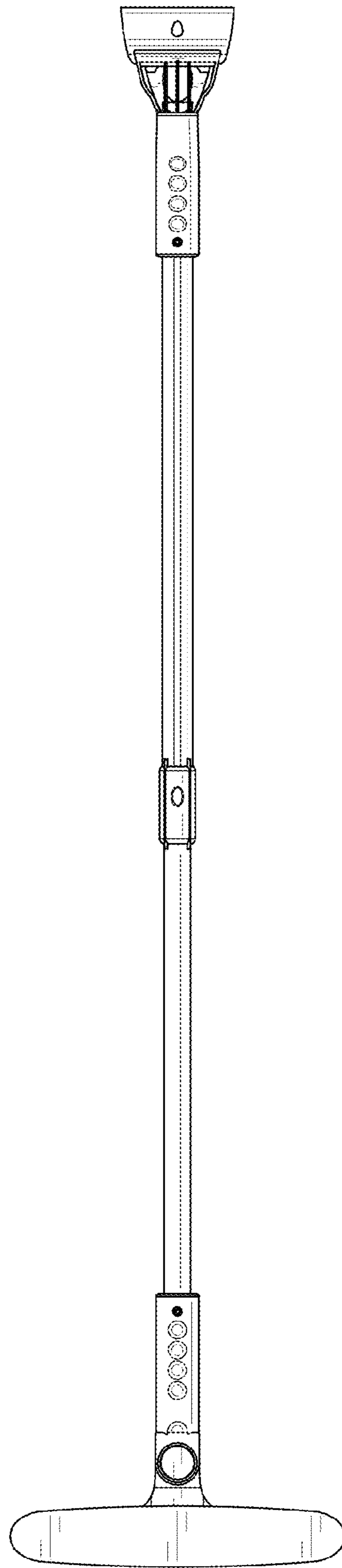


FIG. 3

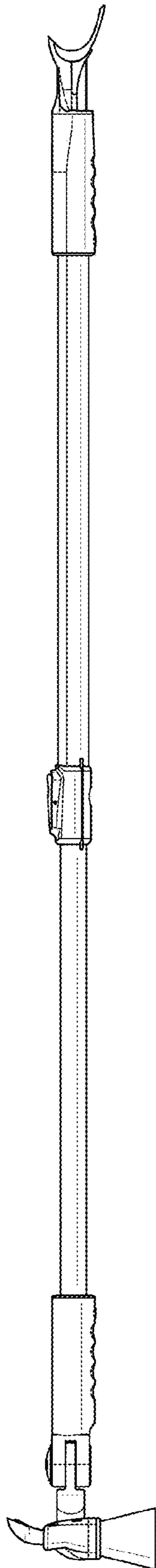


FIG. 4

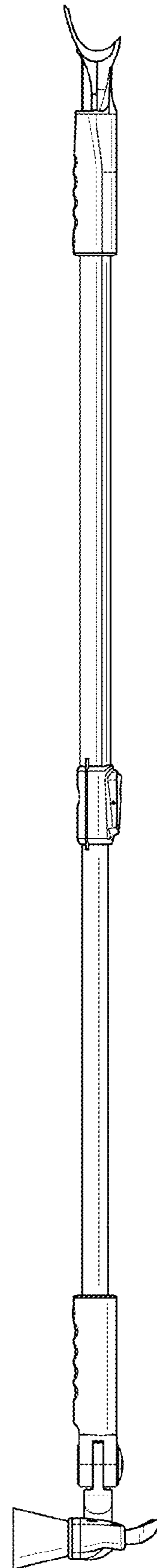


FIG. 5

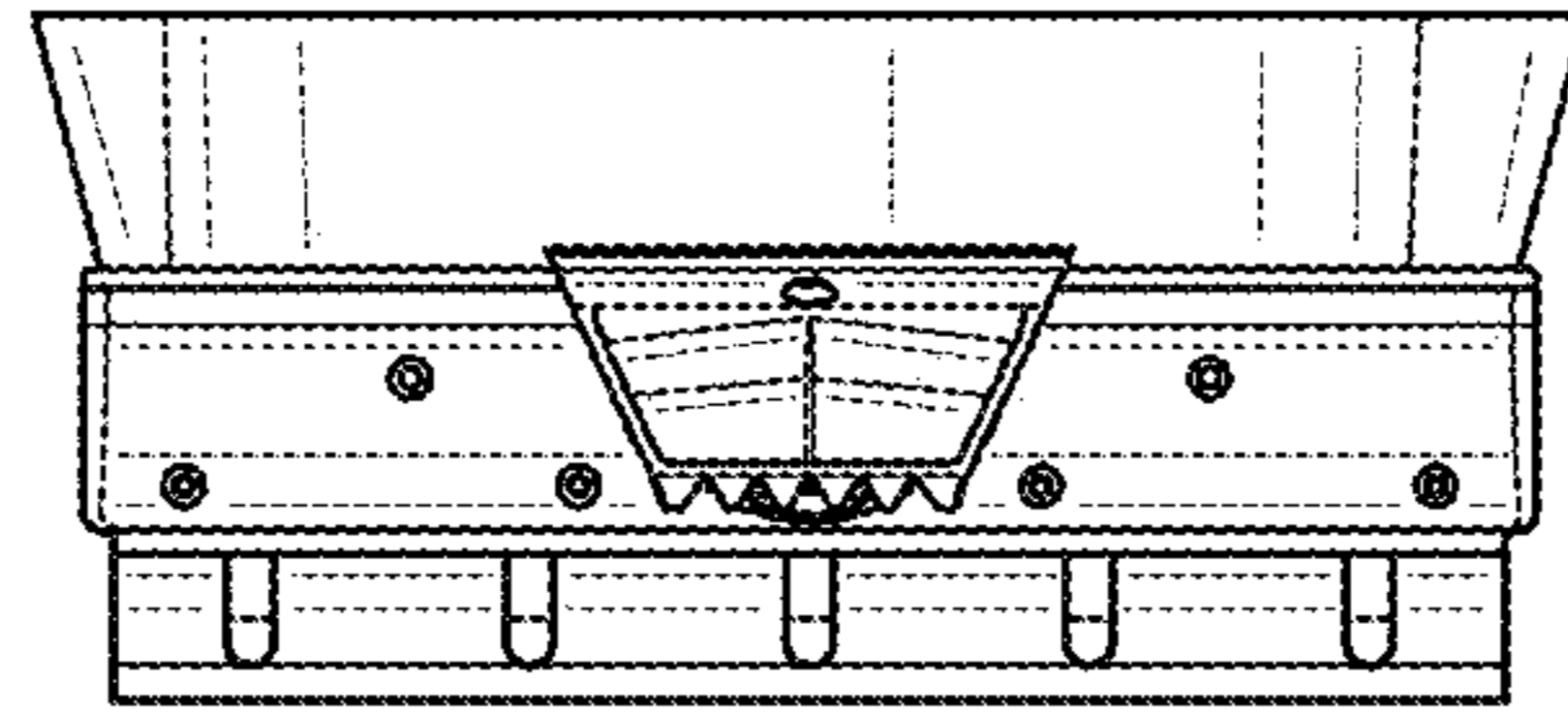


FIG. 6

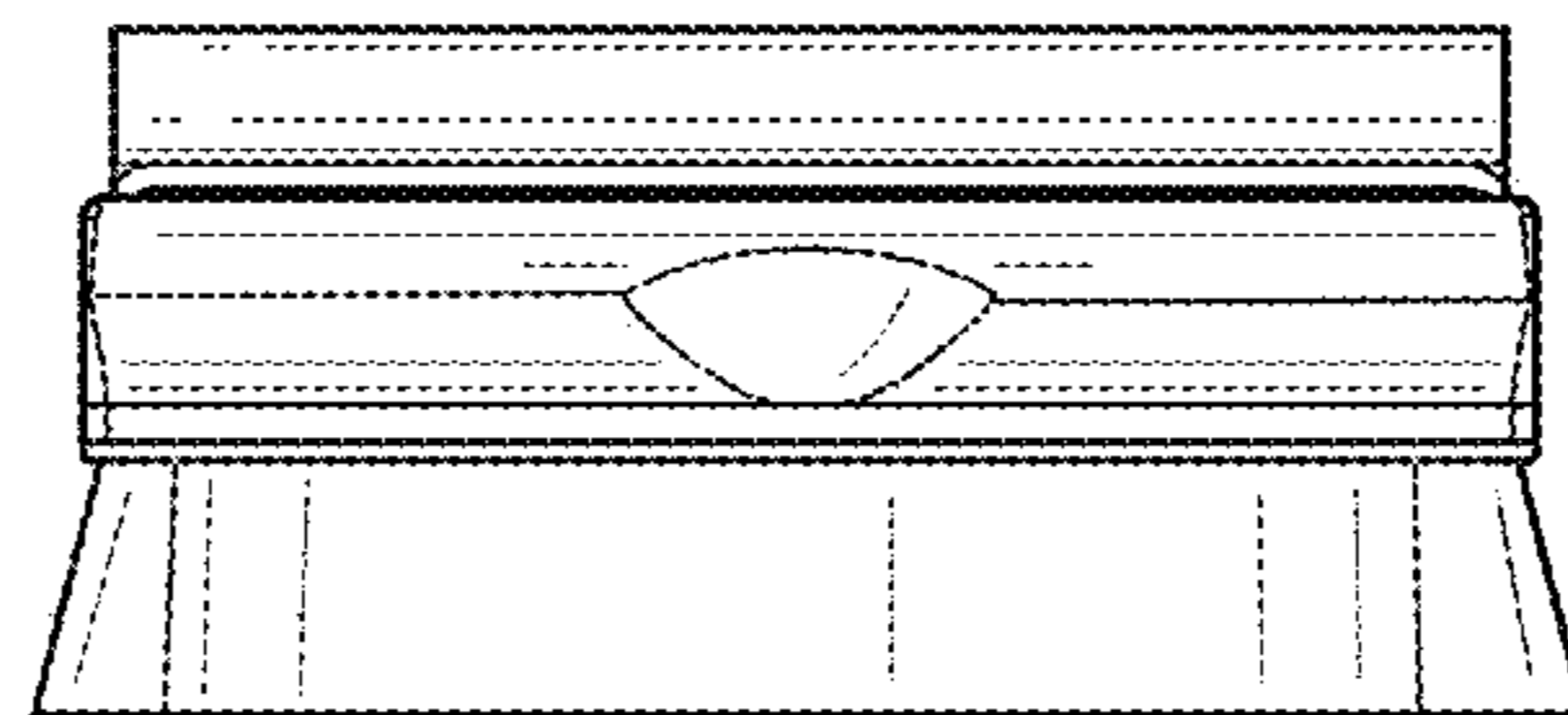


FIG. 7