

US00D925233S

(12) **United States Design Patent** (10) **Patent No.:** **US D925,233 S**
Harris (45) **Date of Patent:** **** Jul. 20, 2021**

(54) **GRILL BRUSH**

(71) Applicant: **Jamie Brandon Harris**, Middletown, DE (US)

(72) Inventor: **Jamie Brandon Harris**, Middletown, DE (US)

(**) Term: **15 Years**

(21) Appl. No.: **29/705,985**

(22) Filed: **Sep. 17, 2019**

(51) **LOC (13) Cl.** **04-99**

(52) **U.S. Cl.**
USPC **D4/118**

(58) **Field of Classification Search**
USPC D4/100-138; D8/90, 105, 107, 300, 303;
D32/50, 51, 52; D28/7, 63; D7/393,
D7/395, 401.2
CPC A46B 2200/1066; A46B 2200/1046; A46B
2200/3093; A46B 9/04; A46B 13/023;
A46B 5/0095; A61C 15/00; Y10S 15/00;
Y10S 15/10

See application file for complete search history.

(56) **References Cited**

U.S. PATENT DOCUMENTS

D450,532 S * 11/2001 Shen D7/395
D452,996 S * 1/2002 Prince D7/395
D477,506 S * 7/2003 Jordan D7/692
D564,292 S * 3/2008 Zemel D7/395
D866,985 S * 11/2019 Zemel D4/120

D871,773 S * 1/2020 Ou D4/118
D882,962 S * 5/2020 Neumann D4/134
D892,546 S * 8/2020 Dodane D7/395
2019/0274418 A1* 9/2019 Gunjian A46B 3/18

OTHER PUBLICATIONS

Napoleon Brush, announced 2021 [online], [site visited Mar. 5, 2021]. Available from internet, URL: <https://grillcollection.com/products/napoleon-62062-triple-row-grill-brush-with-brass-bristles> (Year: 2021).*

* cited by examiner

Primary Examiner — George A Bugg
Assistant Examiner — Tamara L Hahn
(74) *Attorney, Agent, or Firm* — Dunlap Bennett & Ludwig, PLLC

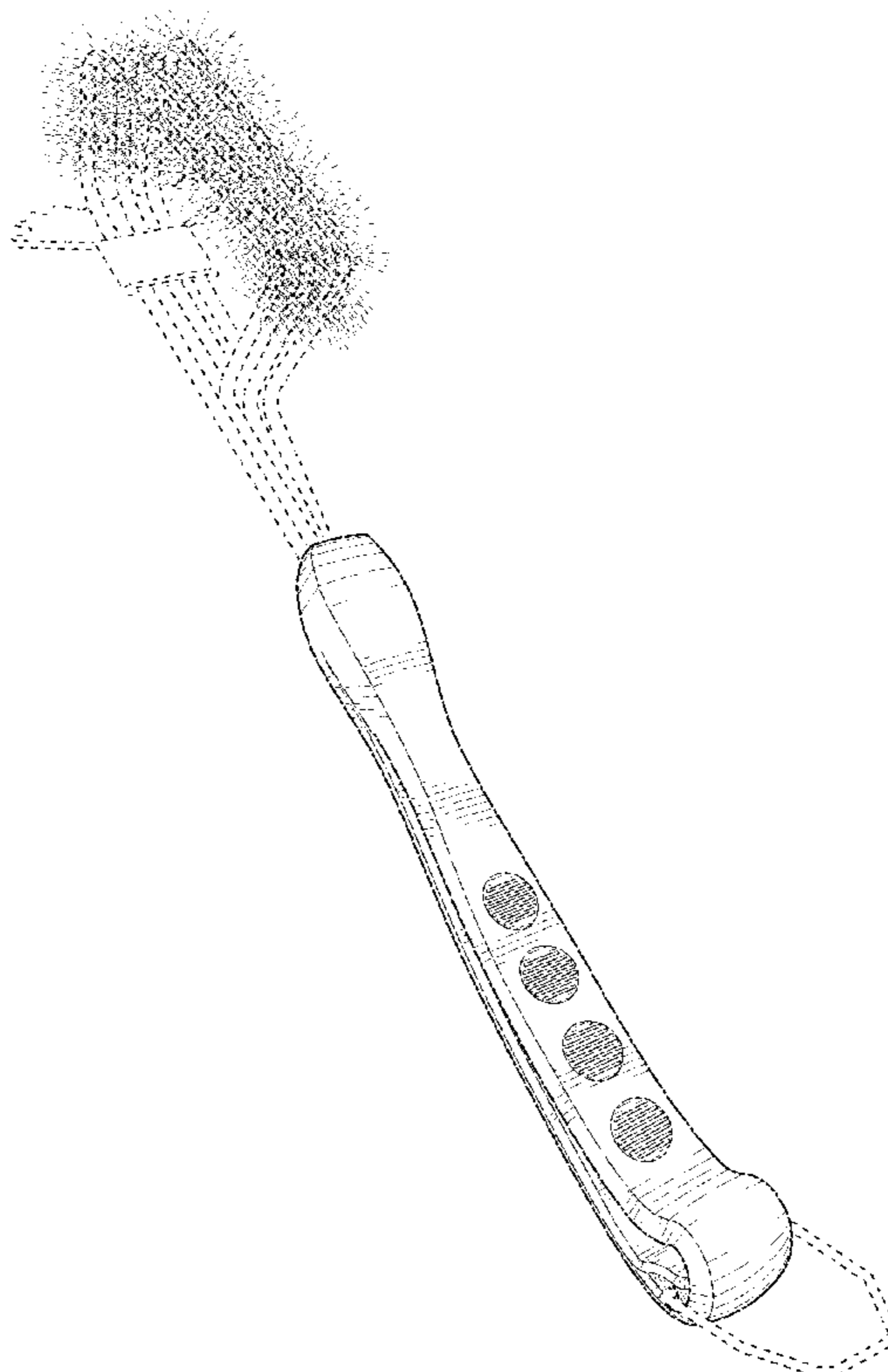
(57) **CLAIM**

The ornamental design for a grill brush, as shown and described.

DESCRIPTION

FIG. 1 is a perspective view of a grill brush, showing my new design;
FIG. 2 is a left elevation view thereof;
FIG. 3 is a right elevation view thereof;
FIG. 4 is a top plan view thereof;
FIG. 5 is a bottom plan view thereof;
FIG. 6 is a rear elevation view thereof; and,
FIG. 7 is a front elevation view thereof.
The broken lines shown in the drawings depict portions of the grill brush that form no part of the claimed design.

1 Claim, 4 Drawing Sheets



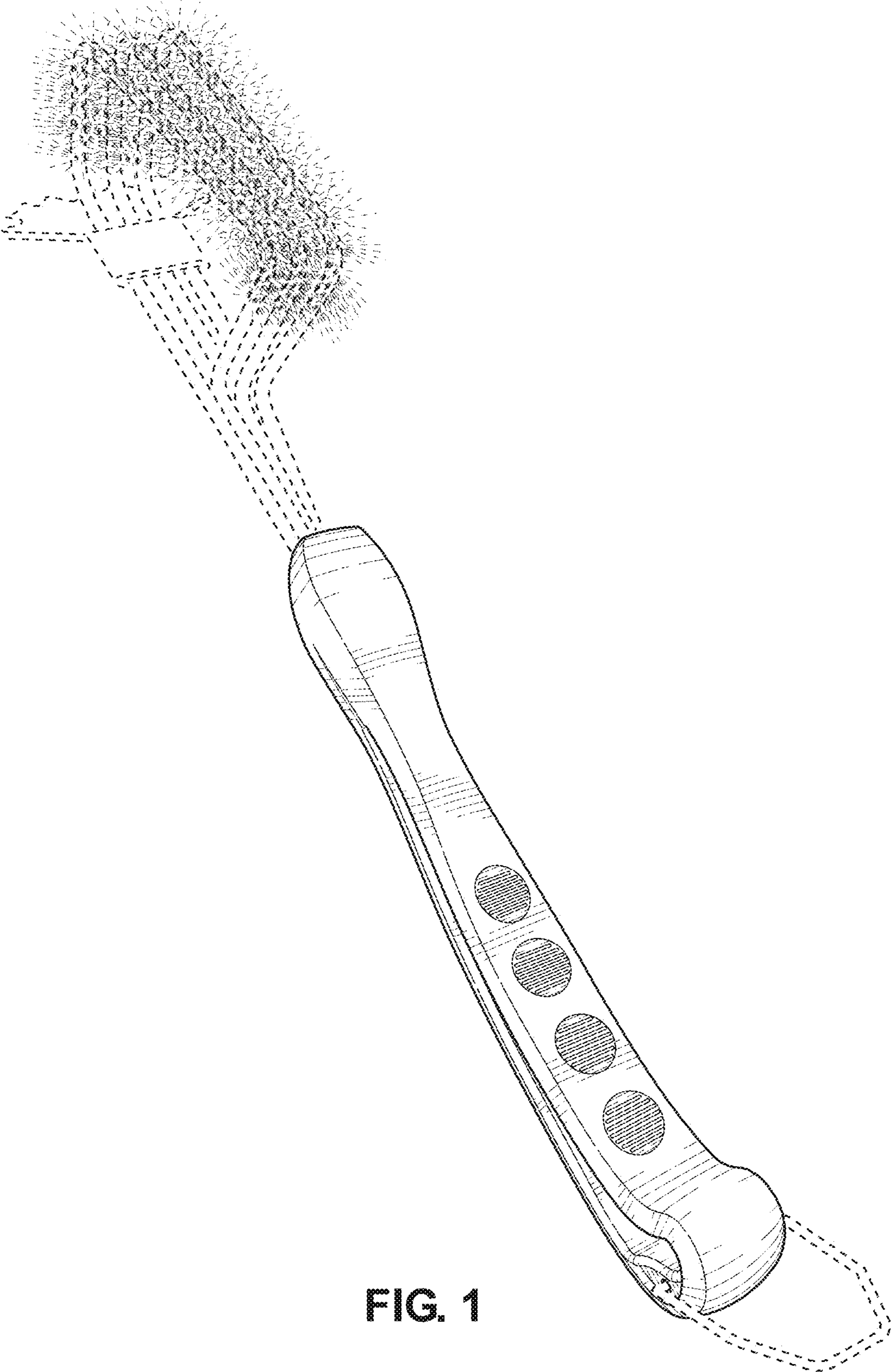


FIG. 1

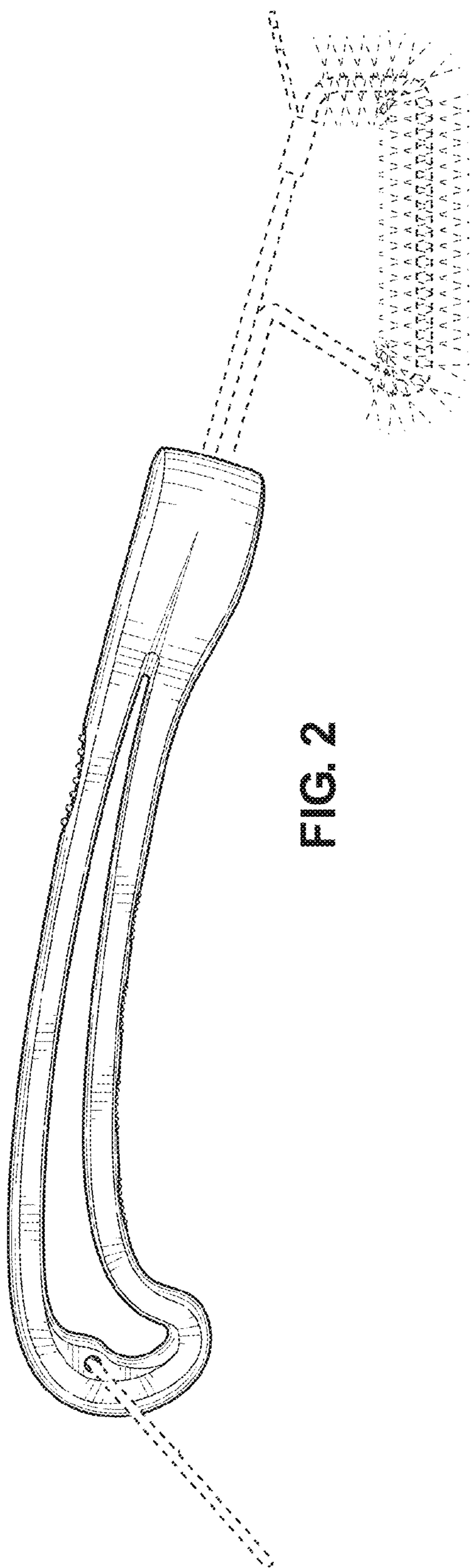


FIG. 2

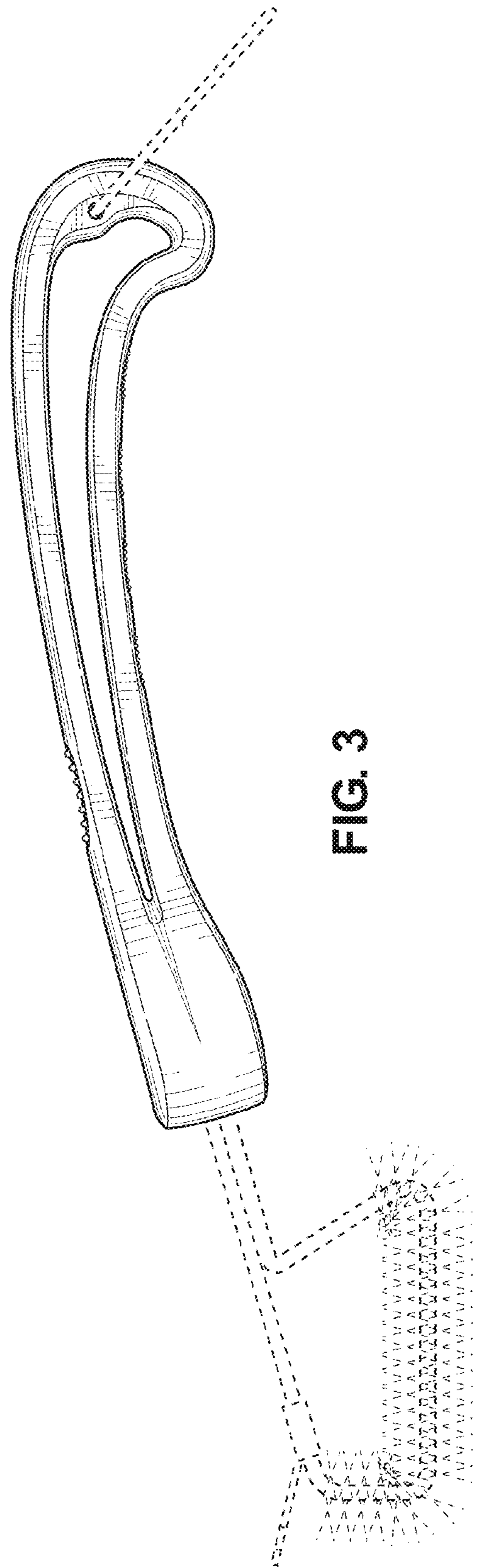


FIG. 3

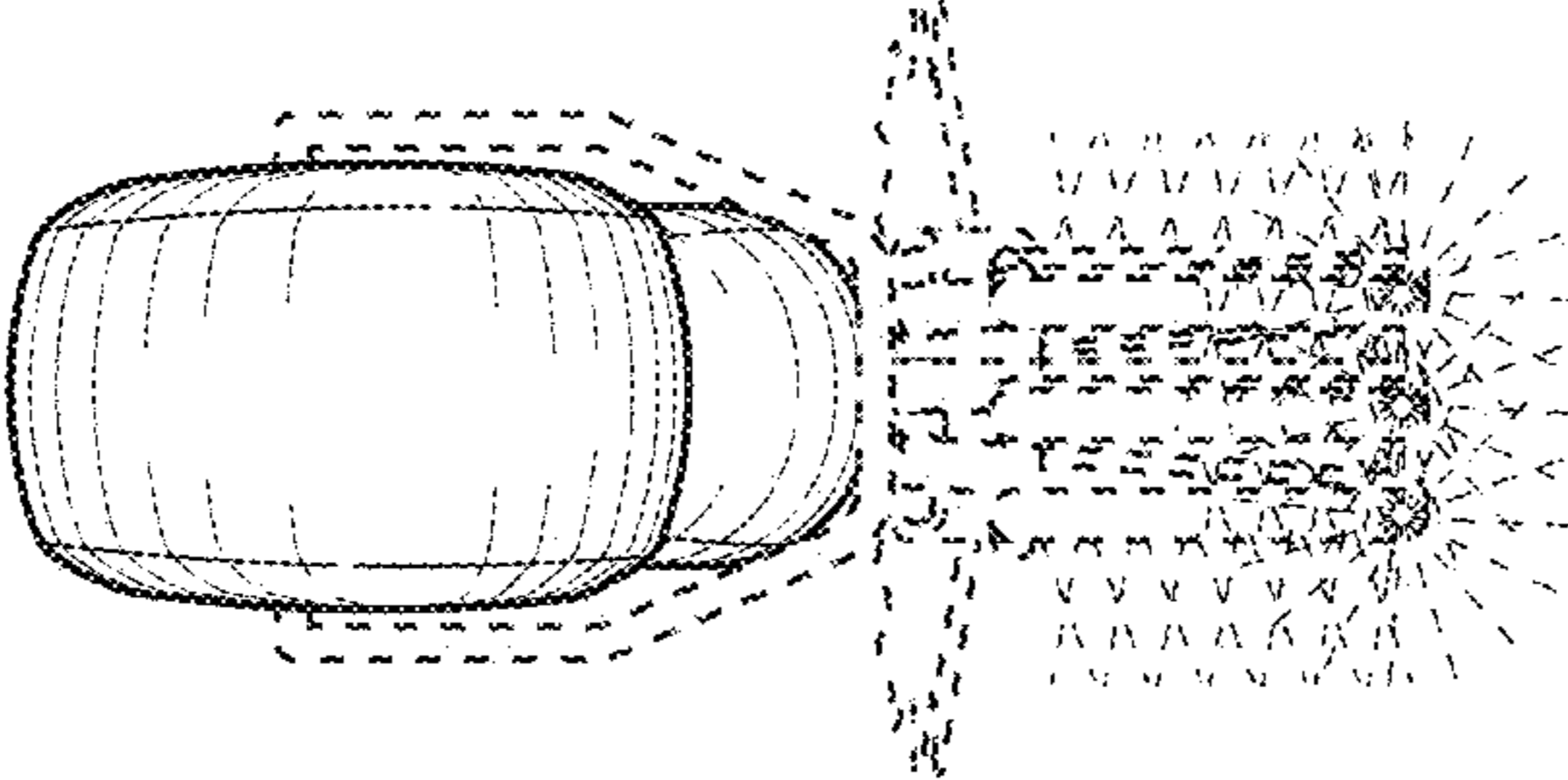


FIG. 5

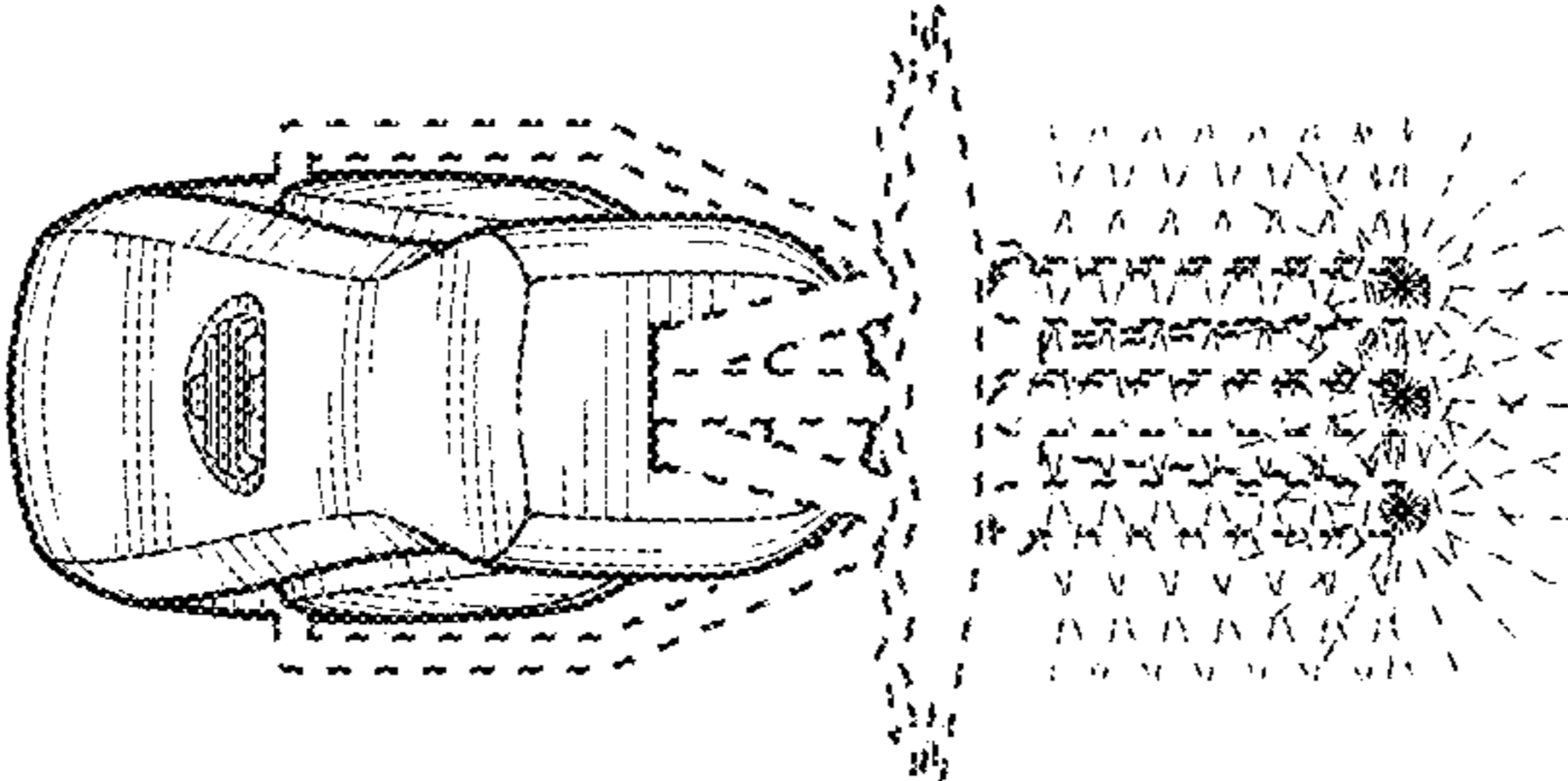


FIG. 4

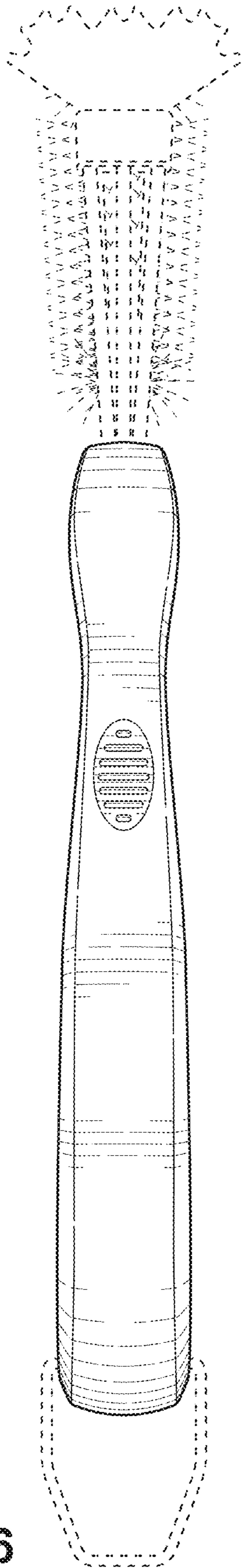


FIG. 6

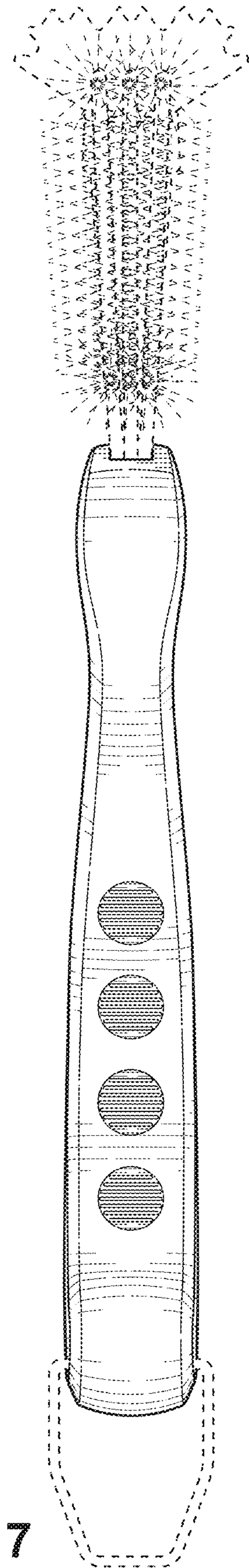


FIG. 7