



US00D925232S

(12) **United States Design Patent** (10) **Patent No.:** **US D925,232 S**  
**Sappenfield et al.** (45) **Date of Patent:** **\*\* Jul. 20, 2021**

(54) **HANDHELD DEVICE**

(71) Applicant: **Christopher C. Sappenfield**, Goodyear, AZ (US)

(72) Inventors: **Christopher C. Sappenfield**, Goodyear, AZ (US); **John Larkin**, Moscow, ID (US)

(73) Assignee: **Christopher C. Sappenfield**, Goodyear, AZ (US)

(\*\*) Term: **15 Years**

(21) Appl. No.: **29/698,866**

(22) Filed: **Jul. 20, 2019**

**Related U.S. Application Data**

(62) Division of application No. 29/589,470, filed on Dec. 30, 2016, now Pat. No. Des. 860,652.

(51) **LOC (13) Cl.** ..... **04-02**

(52) **U.S. Cl.**  
USPC ..... **D4/104; D4/101**

(58) **Field of Classification Search**  
USPC ..... D4/100, 101, 102, 104, 105, 107, 108, D4/109, 110, 111, 112, 113, 114, 116,  
(Continued)

(56) **References Cited**

**U.S. PATENT DOCUMENTS**

D154,598 S \* 7/1949 Gass ..... D4/108  
D156,134 S \* 11/1949 Lodewick et al. .... D4/108  
(Continued)

*Primary Examiner* — Jasmine Mlinarcik  
(74) *Attorney, Agent, or Firm* — Christopher C. Sappenfield

(57) **CLAIM**

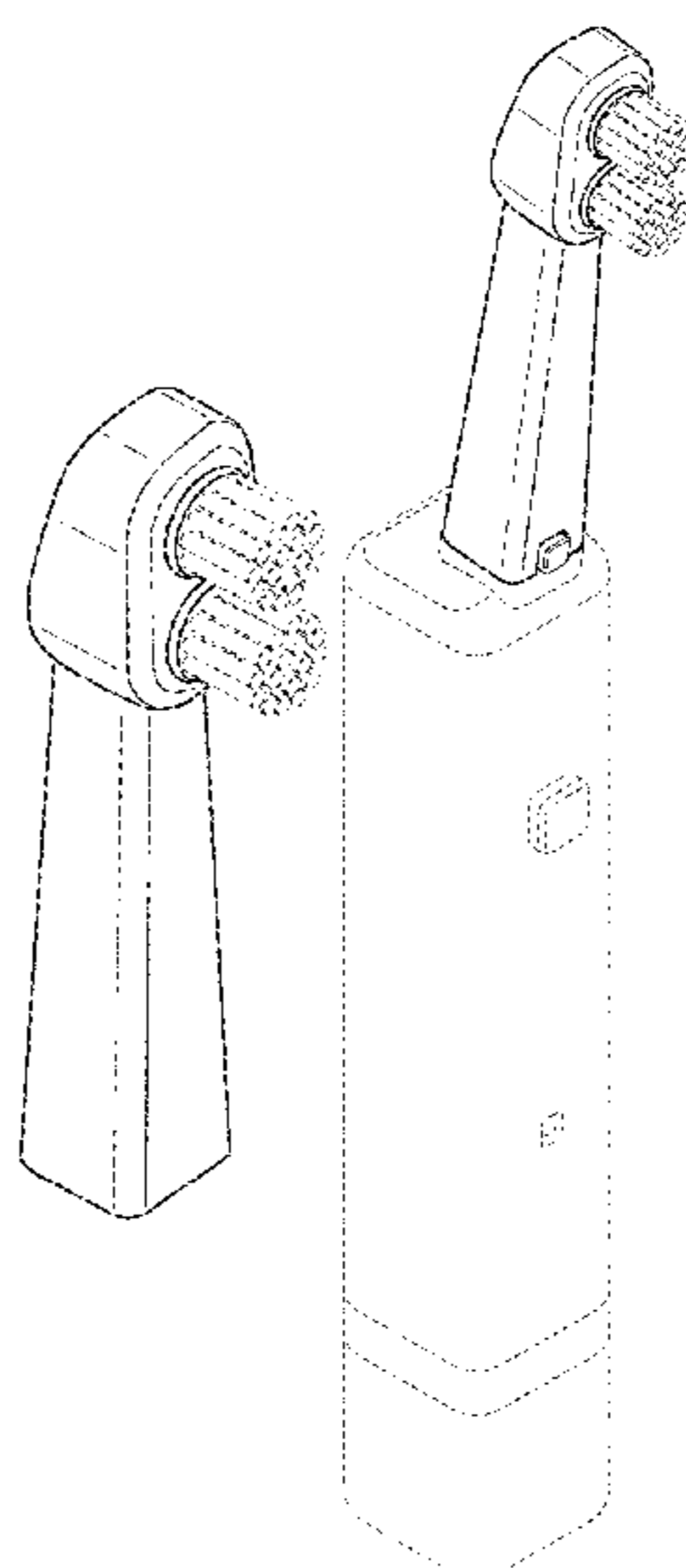
The ornamental design of a handheld device, as shown and described.

**DESCRIPTION**

FIG. 1 is a front perspective view of a handheld device according to a first embodiment;  
FIG. 2 is a rear perspective view thereof;  
FIG. 3 is a top view thereof;  
FIG. 4 is a right side view thereof;  
FIG. 5 is a front view thereof;  
FIG. 6 is a left side view thereof;  
FIG. 7 is a rear view thereof;  
FIG. 8 is a bottom view thereof;  
FIG. 9 is a front perspective view of the handheld device according to a second embodiment;  
FIG. 10 is a rear perspective view thereof;  
FIG. 11 is a top view thereof;  
FIG. 12 is a right side view thereof;  
FIG. 13 is a front view thereof;  
FIG. 14 is a left side view thereof;  
FIG. 15 is a rear view thereof;  
FIG. 16 is a bottom view thereof;  
FIG. 17 is a front perspective view of the handheld device according to a third embodiment;  
FIG. 18 is a rear perspective view thereof;  
FIG. 19 is a top view thereof;  
FIG. 20 is a front view thereof;  
FIG. 21 is a left side view thereof;  
FIG. 22 is a rear side view thereof;  
FIG. 23 is a right view thereof;  
FIG. 24 is a bottom view thereof;  
FIG. 25 is a front perspective view of the handheld device according to a fourth embodiment;  
FIG. 26 is a rear perspective view hereof;  
FIG. 27 is a top view thereof;  
FIG. 28 is a front view thereof;  
FIG. 29 is a left side view thereof;  
FIG. 30 is a rear side view thereof;  
FIG. 31 is a right view thereof; and,  
FIG. 32 is a bottom view thereof.

The broken lines shown in the drawings are for the purpose of illustrating unclaimed portions of the handheld device and form no part of the claimed design.

**1 Claim, 12 Drawing Sheets**



# US D925,232 S

Page 2

(58) **Field of Classification Search**

USPC ..... D4/119, 124; D24/119, 136, 146, 147,  
D24/152, 156, 176, 221  
CPC ..... A46B 5/00; A46B 5/021; A46B 5/0095;  
A46B 9/04; A46B 9/10; A46B 13/008;  
A46B 13/02; A46B 13/04; A46B 13/08;  
A46B 15/0081; A46B 2200/1026; A46B  
2200/106; A46B 2200/1066; A46B  
2200/1073; A46B 2200/108; A46B  
2200/1086; A61C 17/00; A61C 17/0202;  
A61C 17/028; A61C 17/227; A61C  
17/40; A61C 17/16

See application file for complete search history.

(56) **References Cited**

U.S. PATENT DOCUMENTS

D170,095 S \* 7/1953 Schotland ..... D4/108  
D235,491 S \* 6/1975 Spiegel ..... D4/101

D241,891 S \* 10/1976 Gilbert et al. .... D4/104  
D279,526 S \* 7/1985 Sturdza ..... D4/104  
D286,467 S \* 11/1986 Berghash ..... D4/108  
5,040,553 A \* 8/1991 Londono ..... A46B 5/02  
132/311  
D390,008 S \* 2/1998 Blosser ..... D4/108  
D402,812 S \* 12/1998 Goff ..... D4/108  
D426,708 S \* 6/2000 Francis ..... D4/108  
D439,413 S \* 3/2001 Klein ..... D4/108  
D460,861 S \* 7/2002 Compton ..... D4/108  
D485,439 S \* 1/2004 Breit ..... D4/101  
D611,712 S \* 3/2010 Stoerkel ..... D4/104  
D770,184 S \* 11/2016 Gabriele ..... D4/104  
D806,397 S \* 1/2018 Xi ..... D4/110  
D812,378 S \* 3/2018 DeRicco ..... D4/110  
D860,652 S \* 9/2019 Sappenfield ..... D4/104  
D877,519 S \* 3/2020 Xi ..... D4/110  
2008/0109979 A1 \* 5/2008 Jo ..... A46B 9/026  
15/167.1

\* cited by examiner

FIG. 1

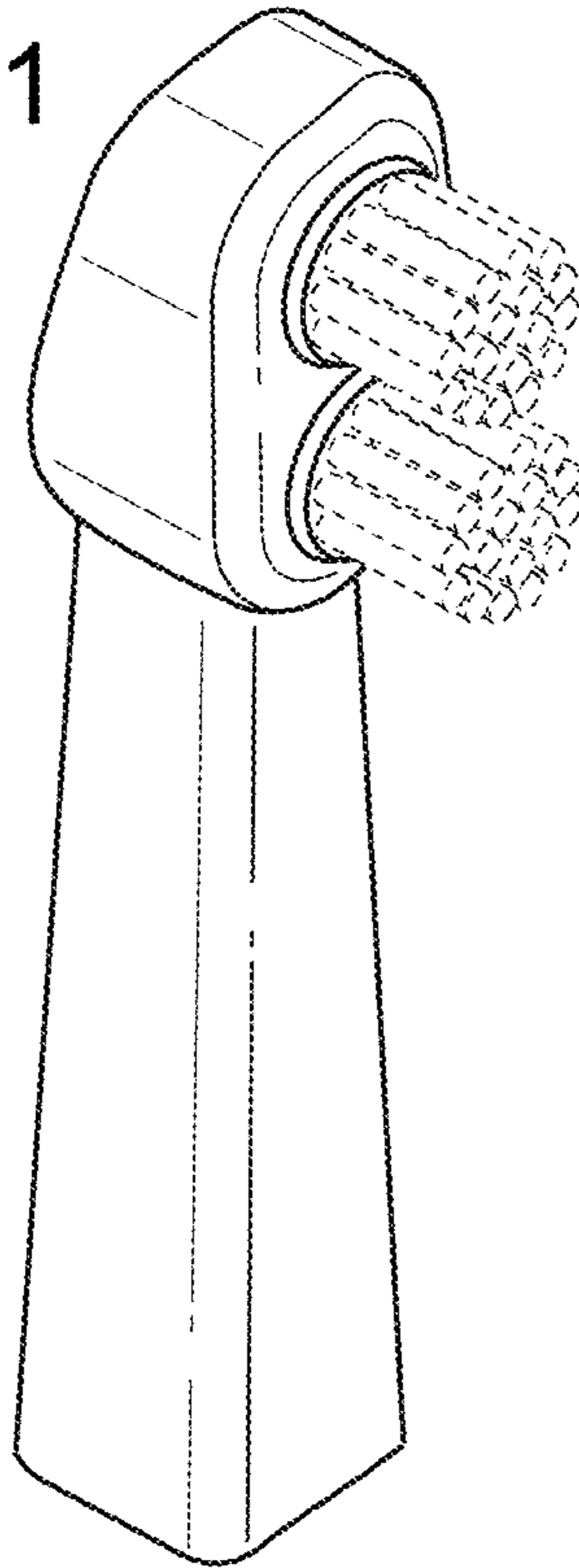


FIG. 2

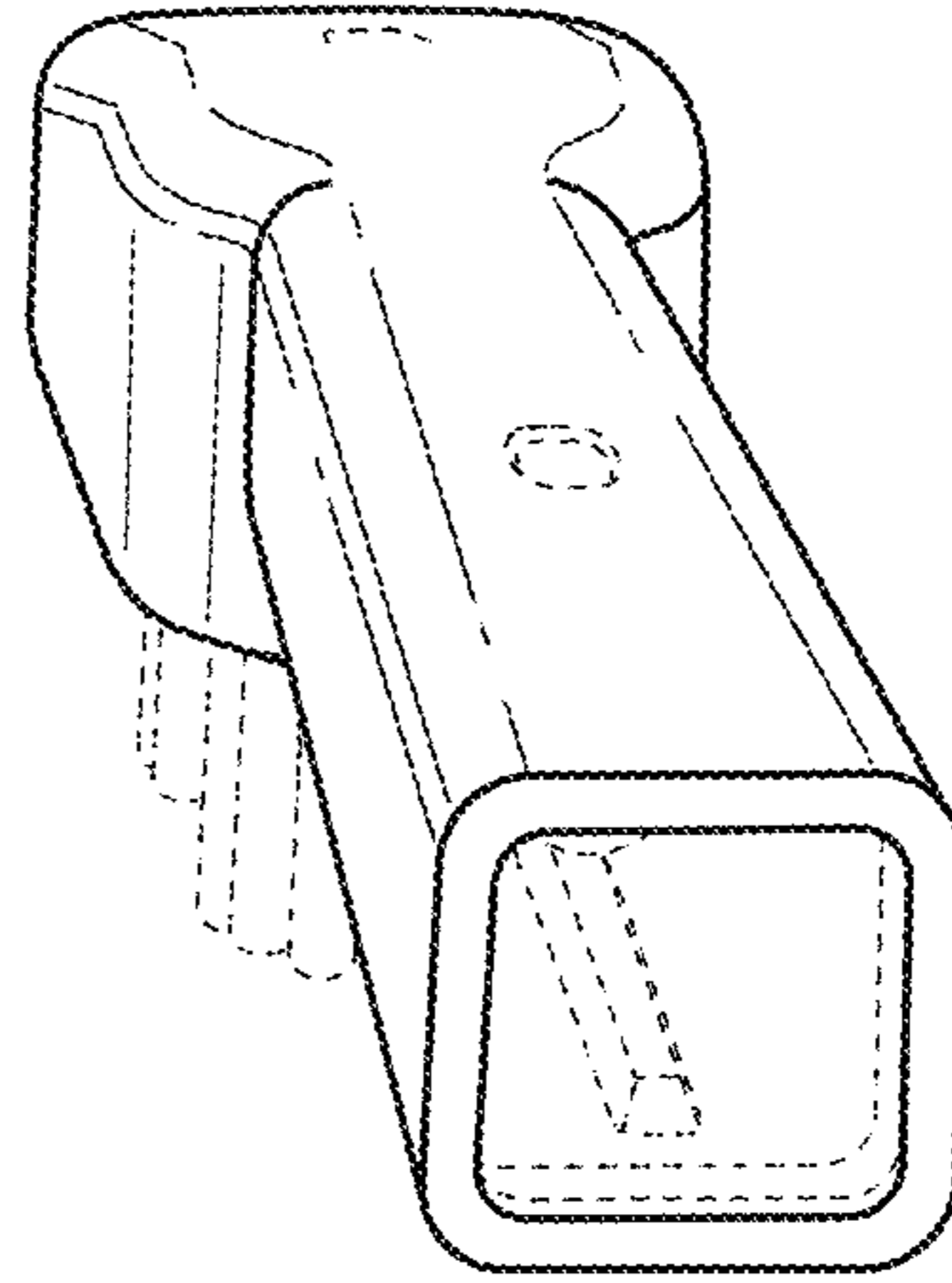


FIG. 3

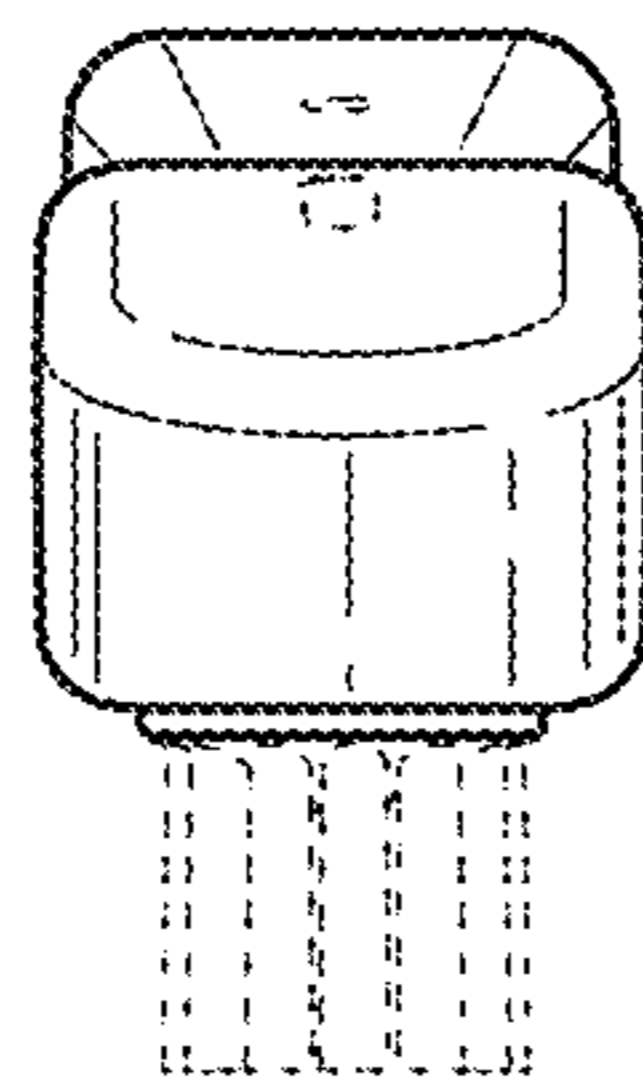


FIG. 4

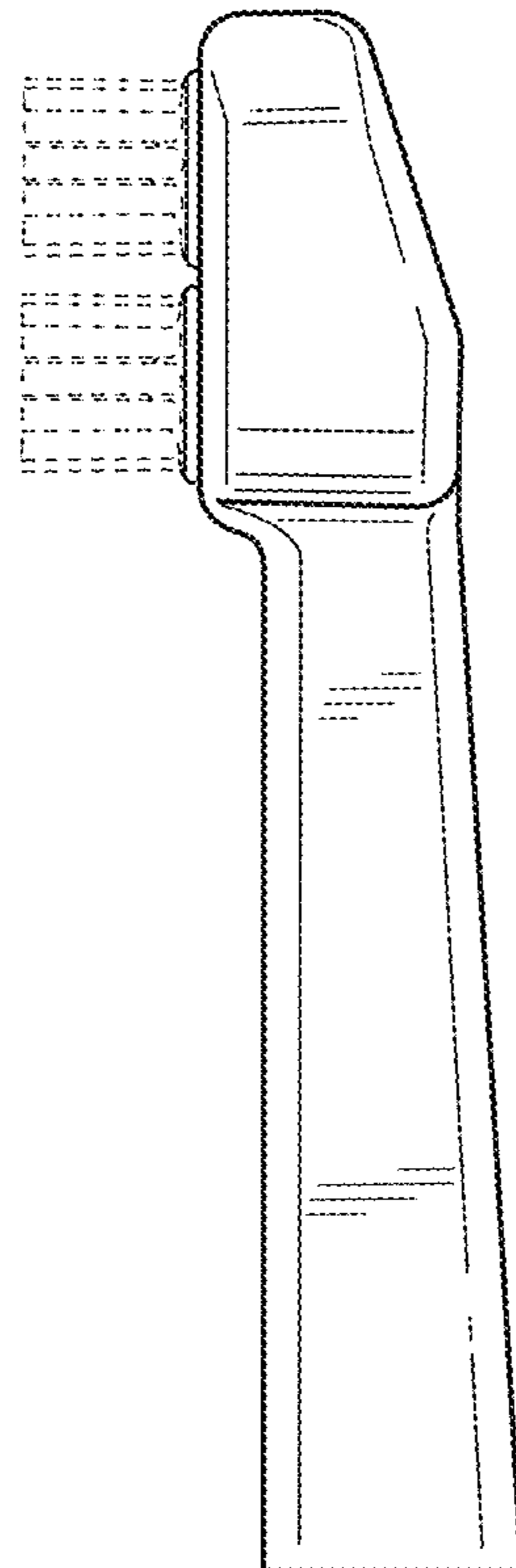


FIG. 5

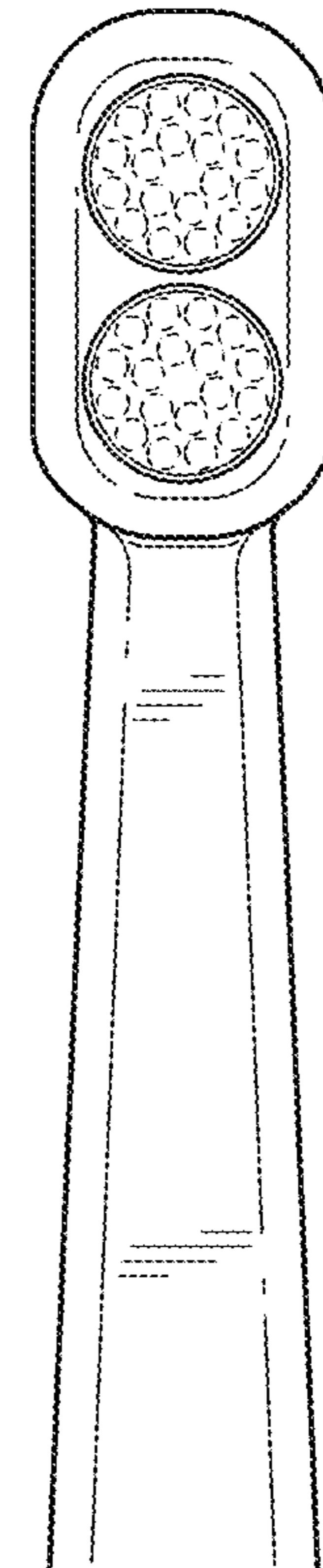


FIG. 6

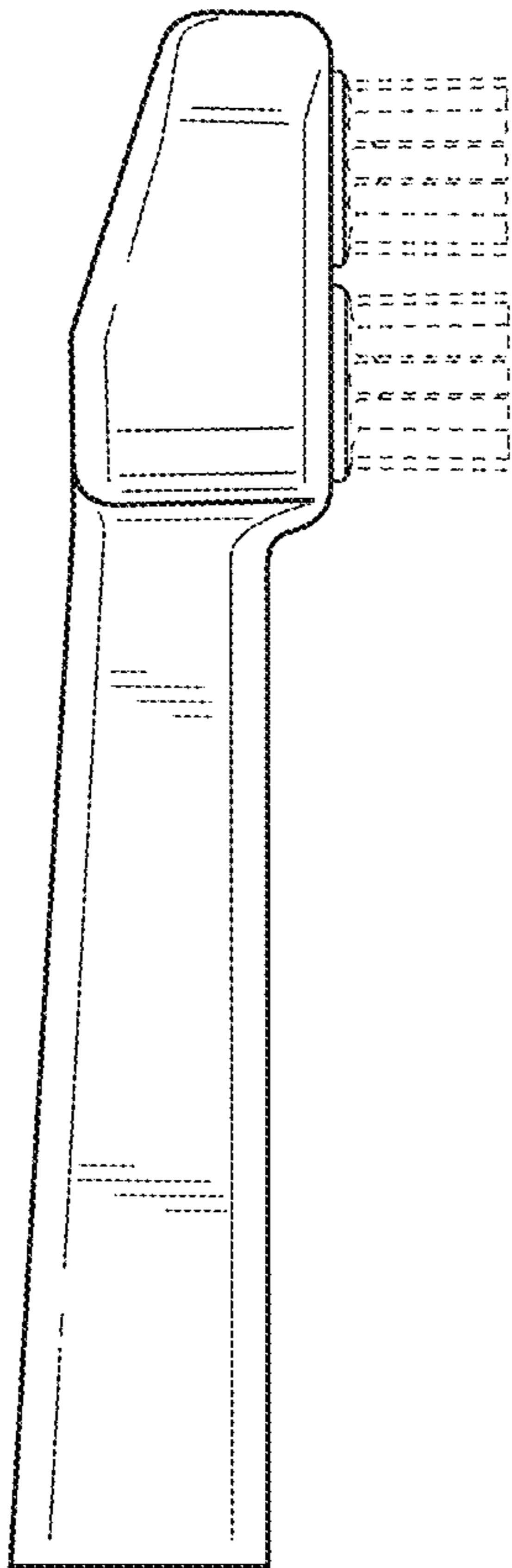


FIG. 7

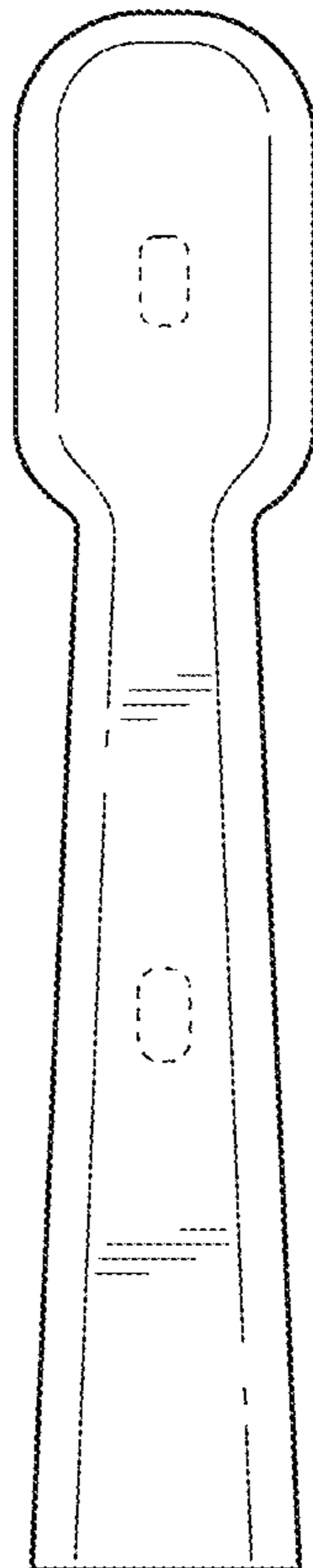


FIG. 8

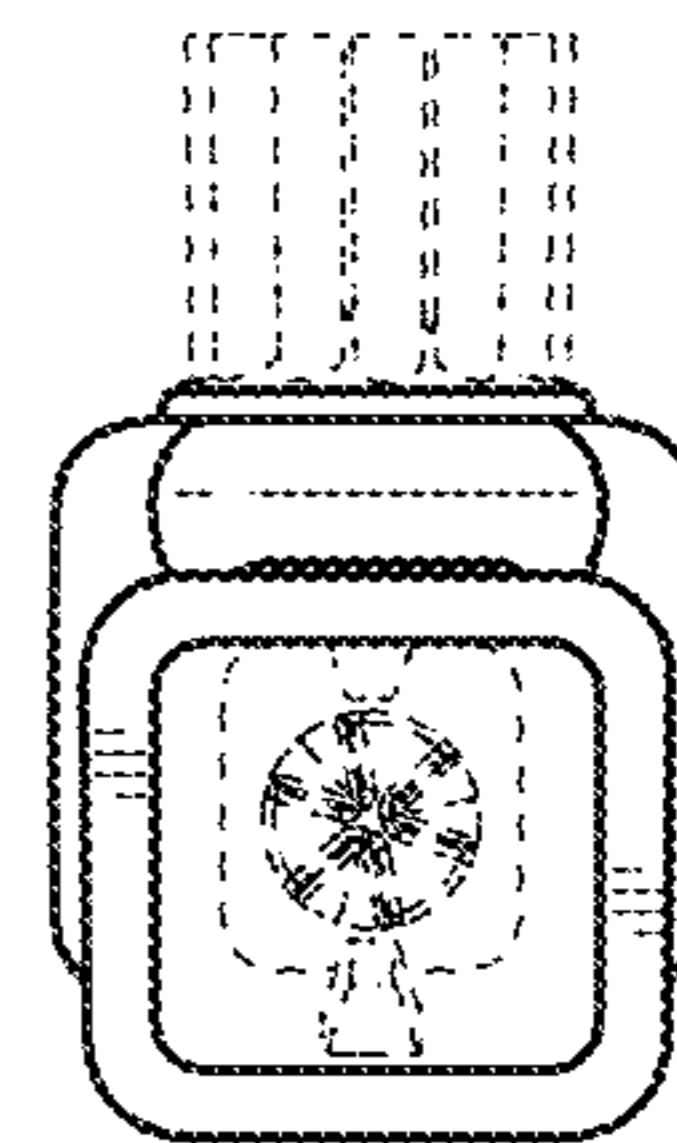


FIG. 9

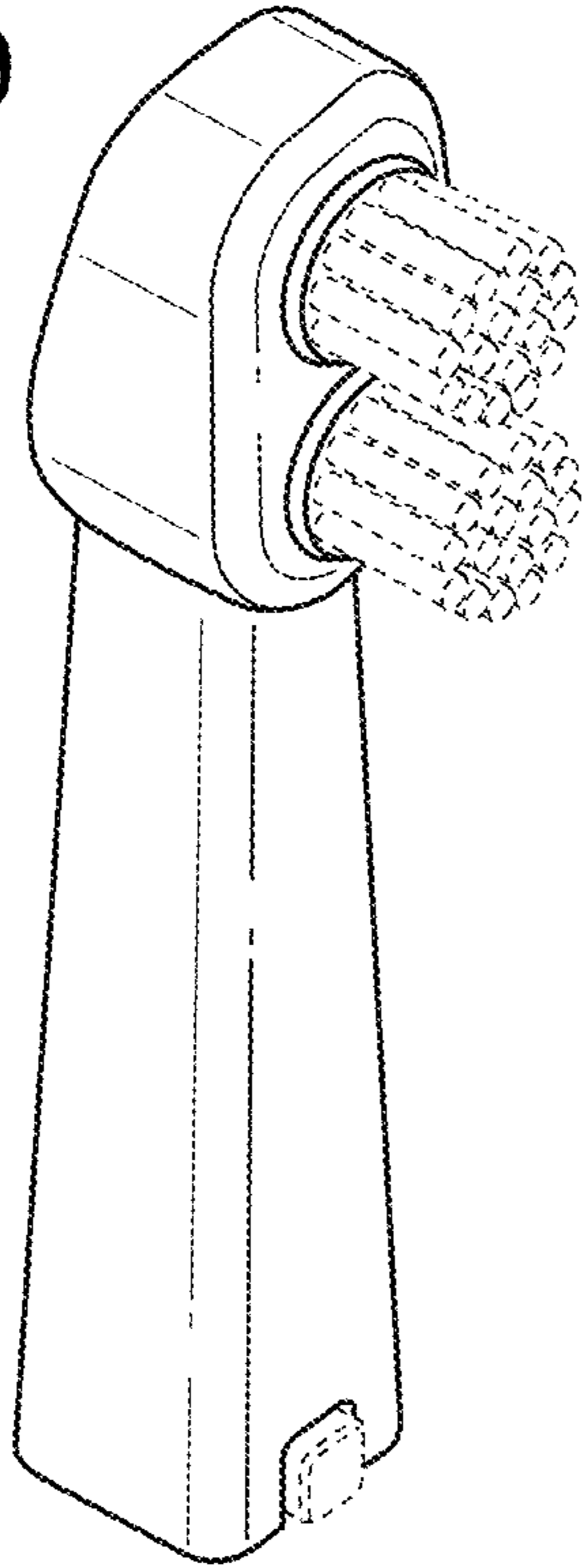


FIG. 10

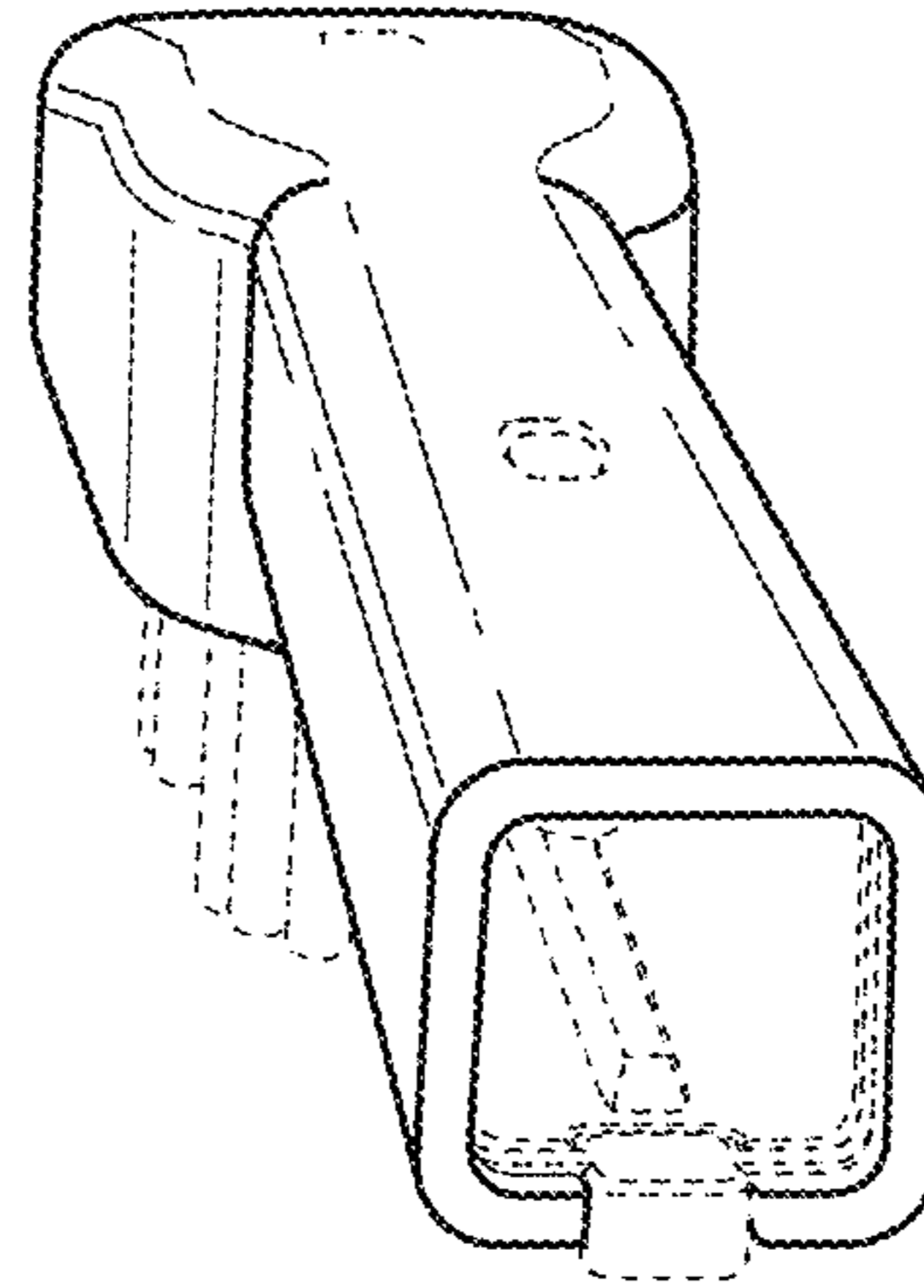


FIG. 11

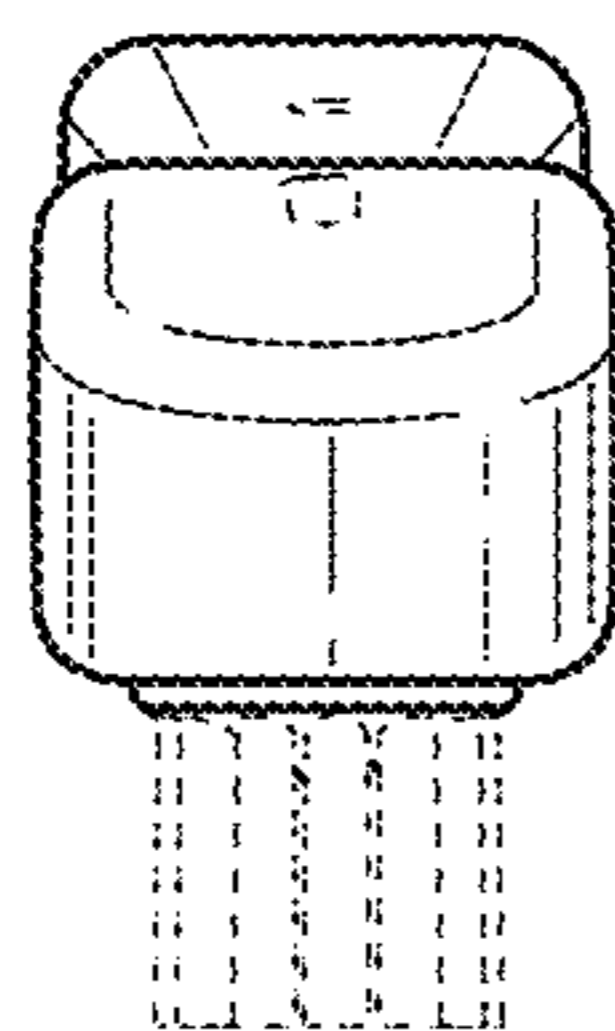


FIG. 12

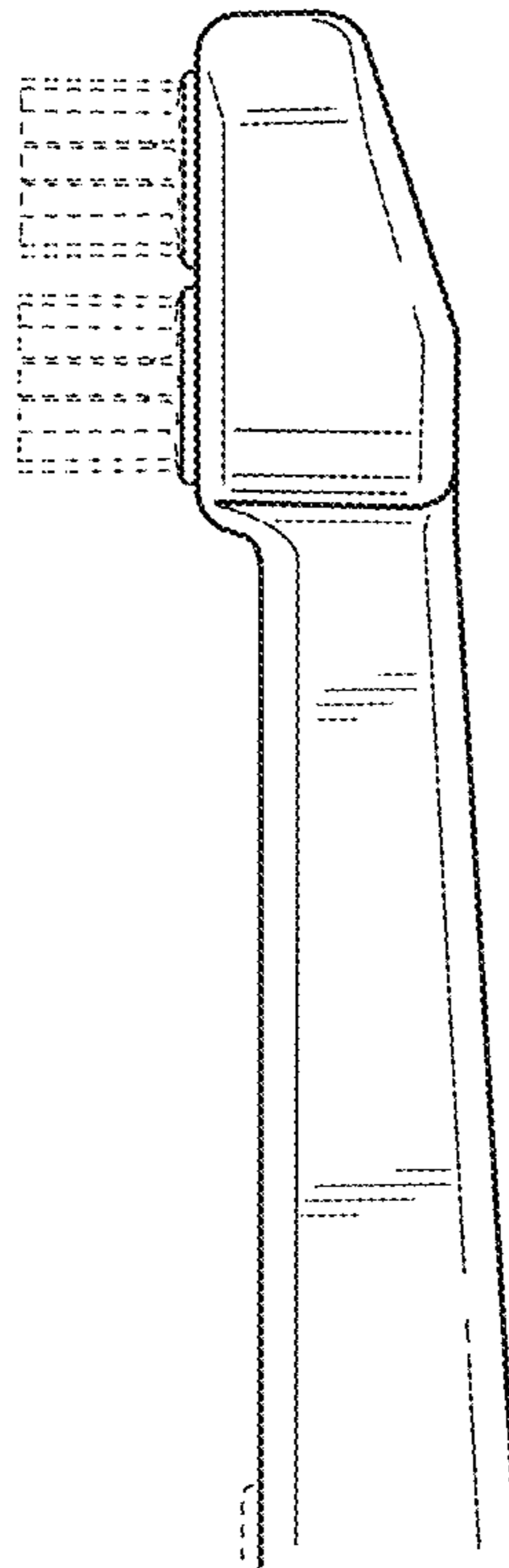


FIG. 13

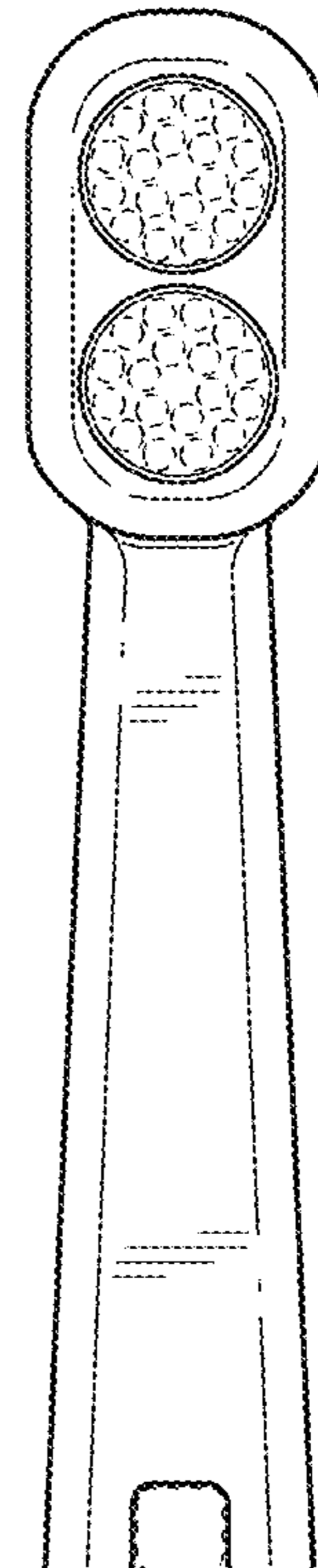


FIG. 14

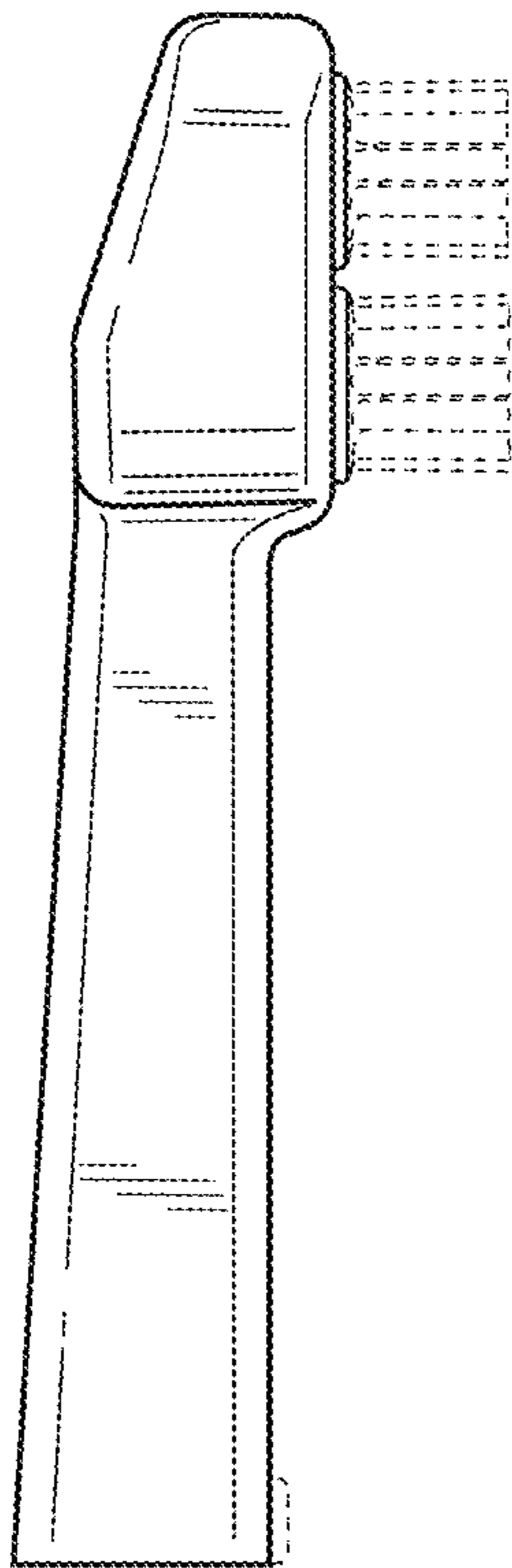


FIG. 15

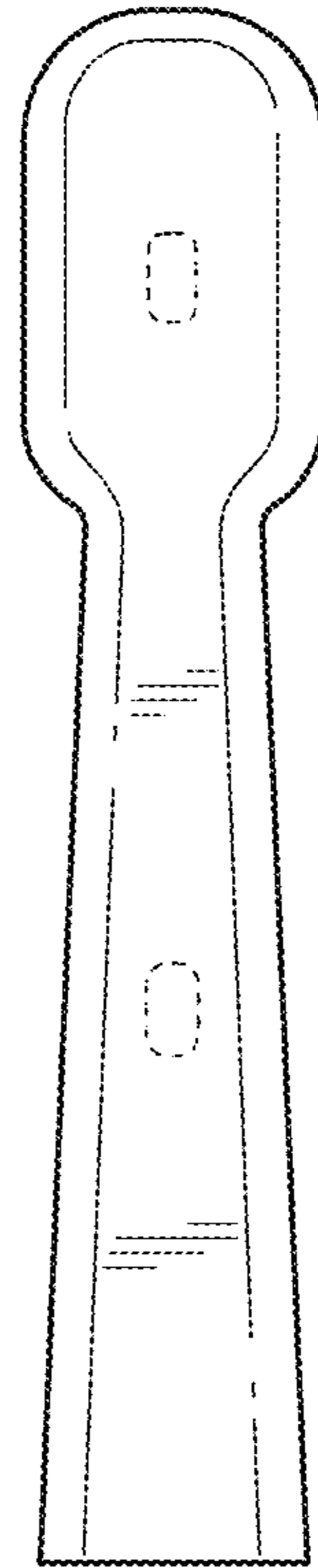


FIG. 16

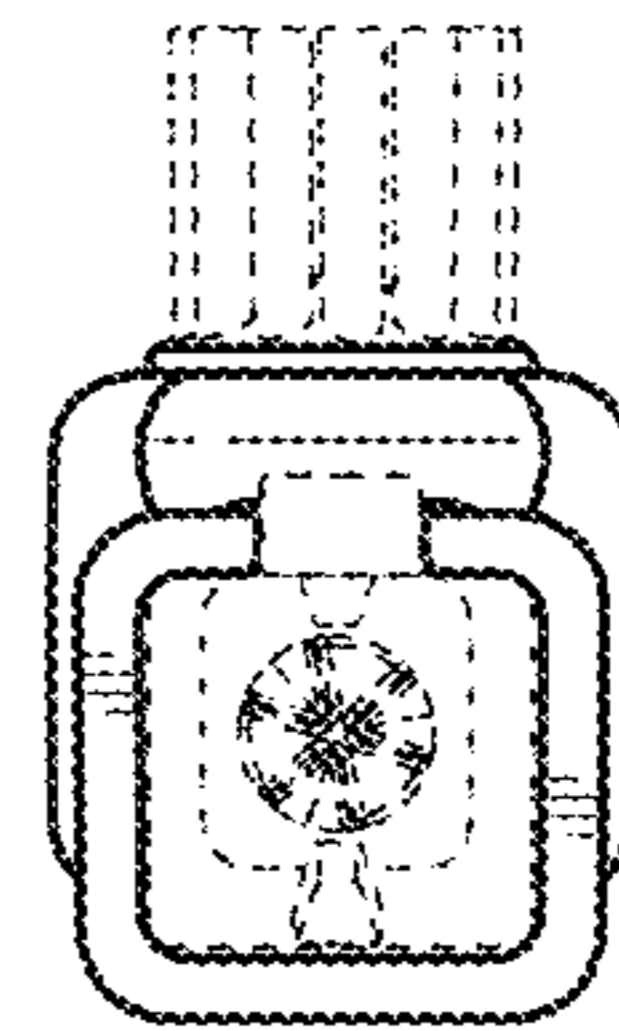


FIG. 17

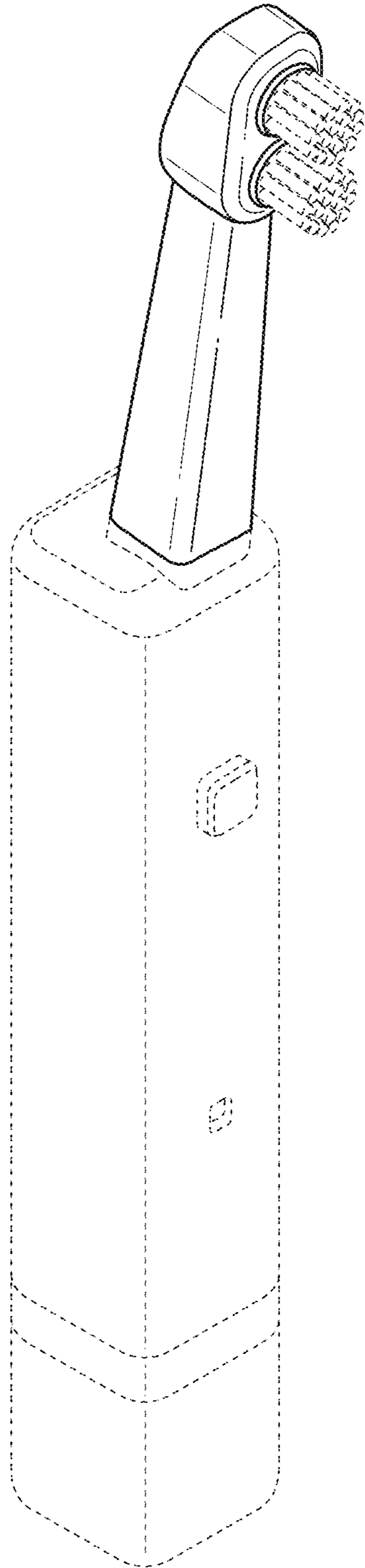


FIG. 18

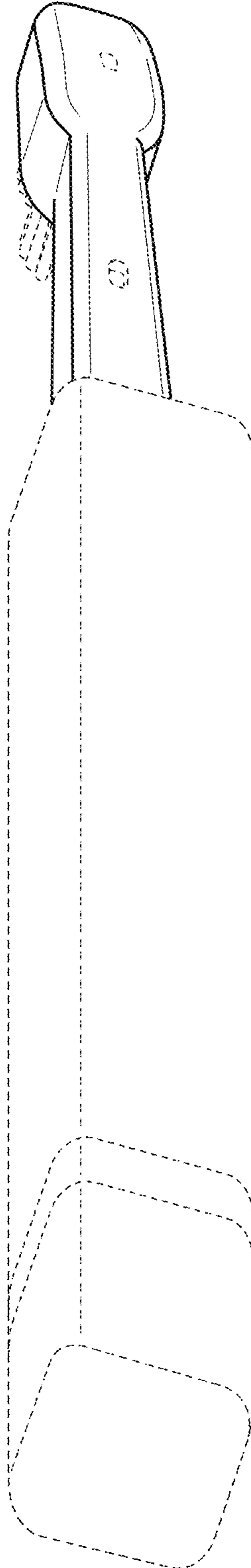




FIG. 19

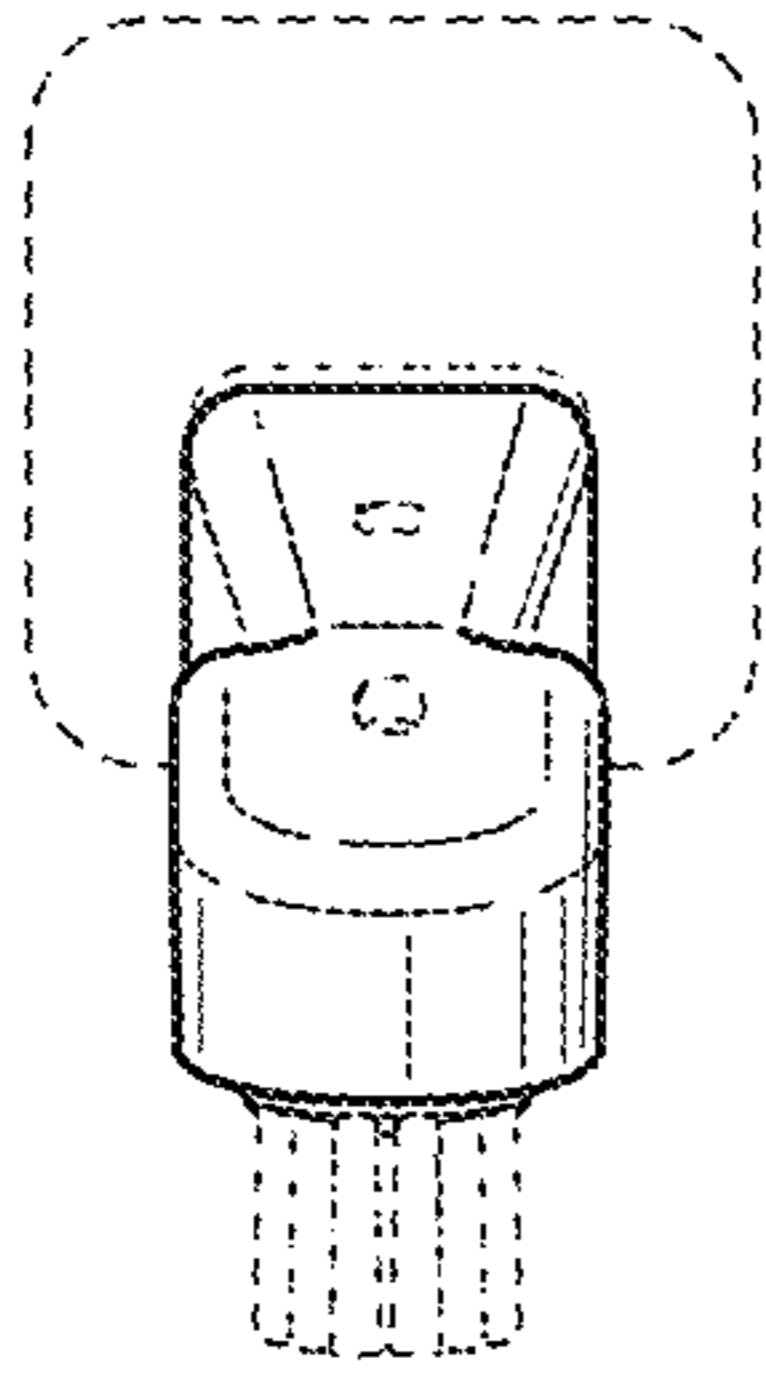


FIG. 20

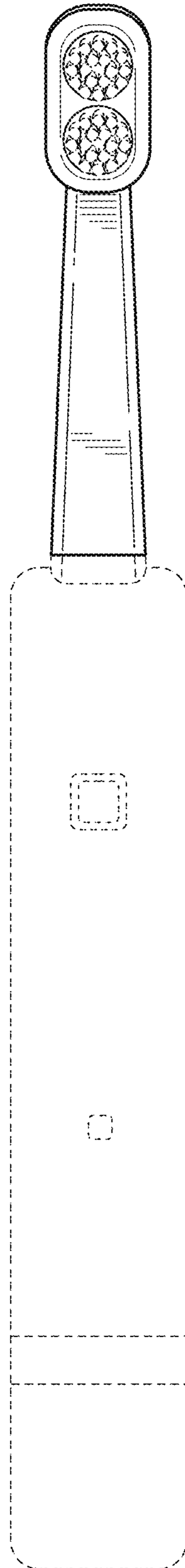


FIG. 21

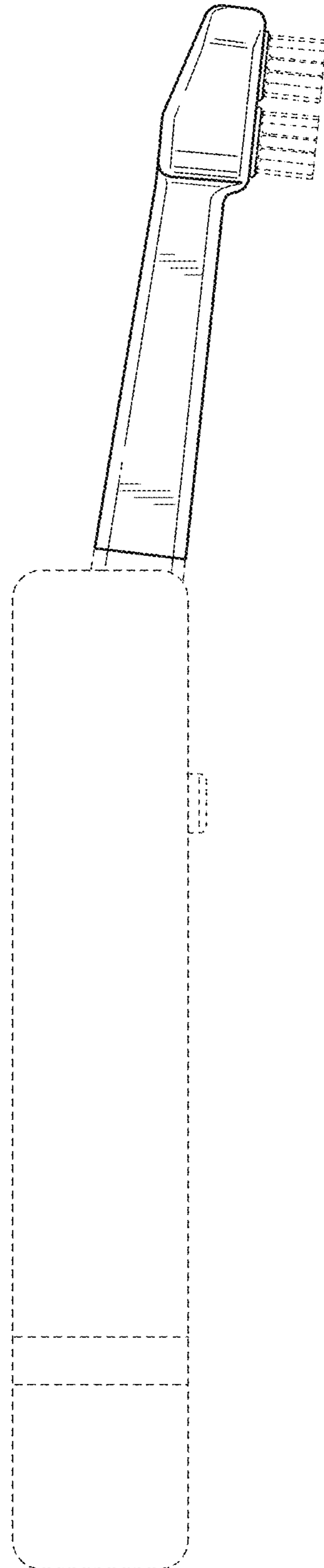


FIG. 22

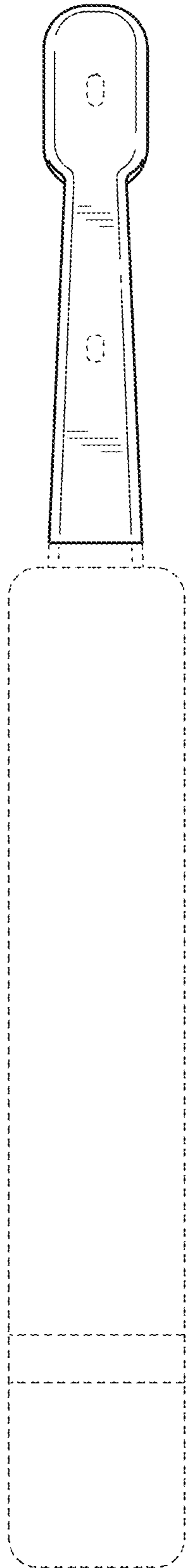


FIG. 23

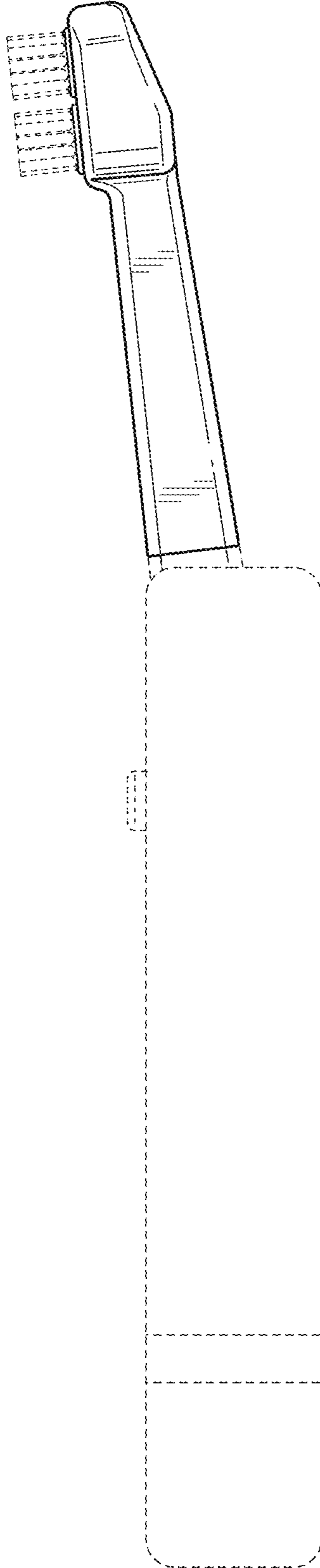


FIG. 24

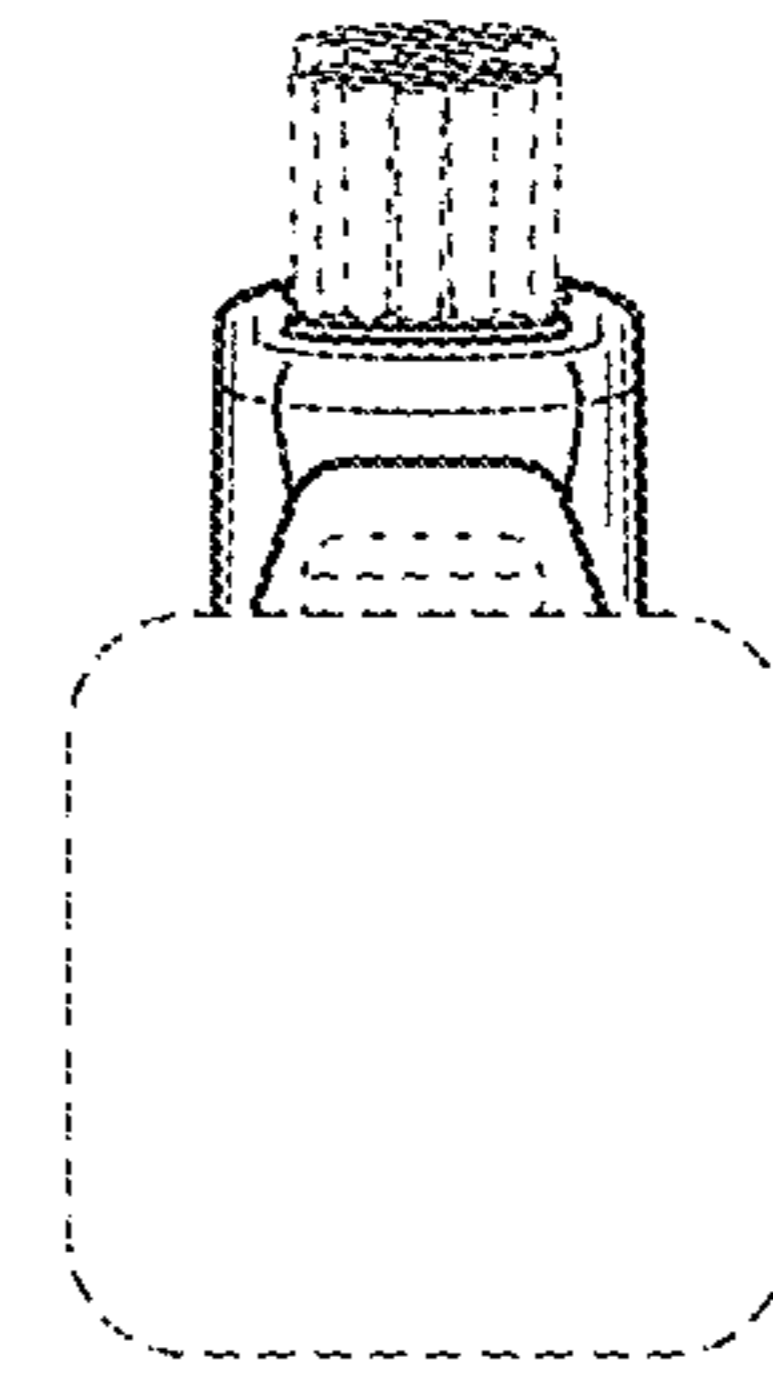


FIG. 25

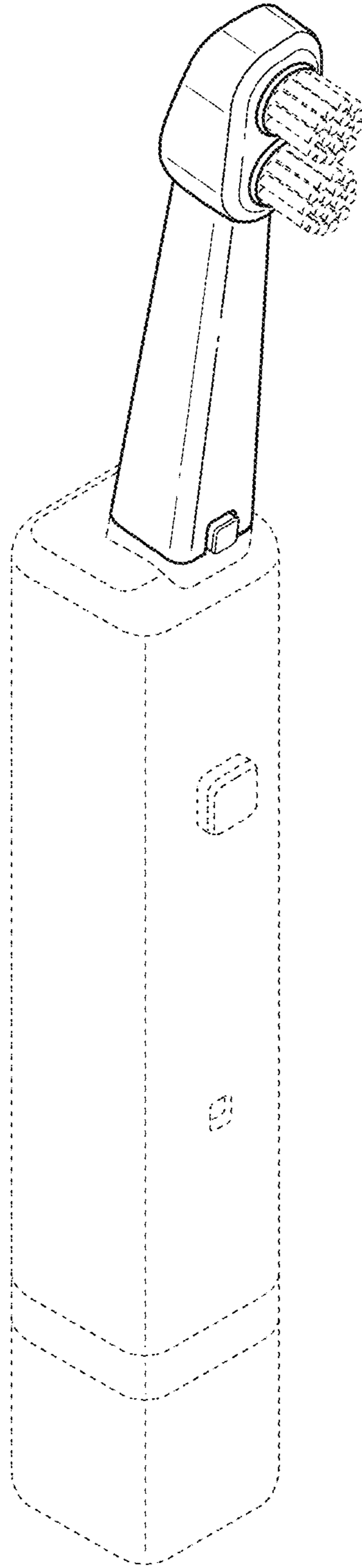


FIG. 26

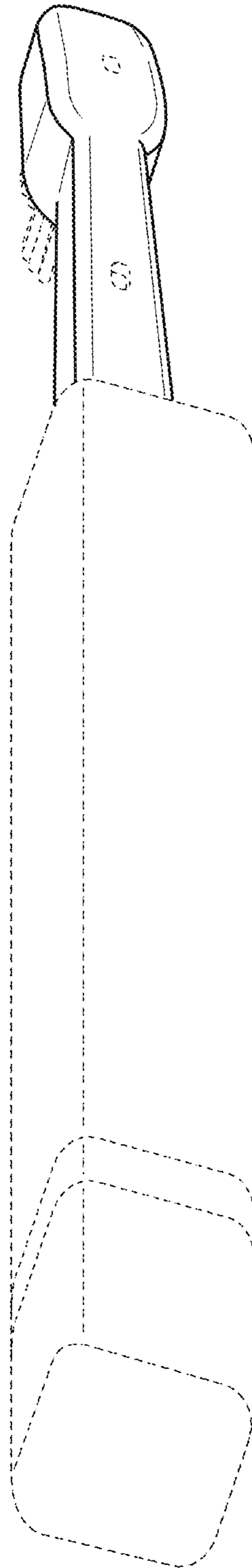


FIG. 27

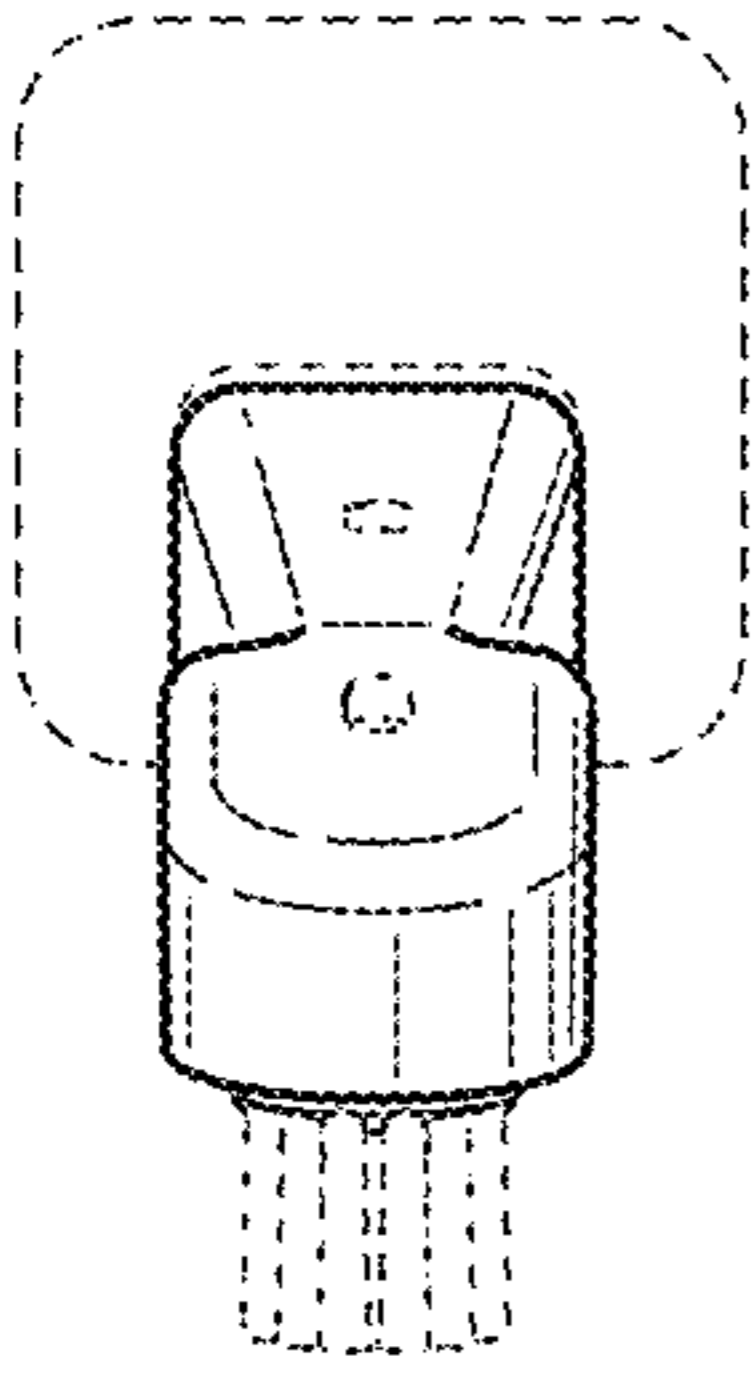


FIG. 28

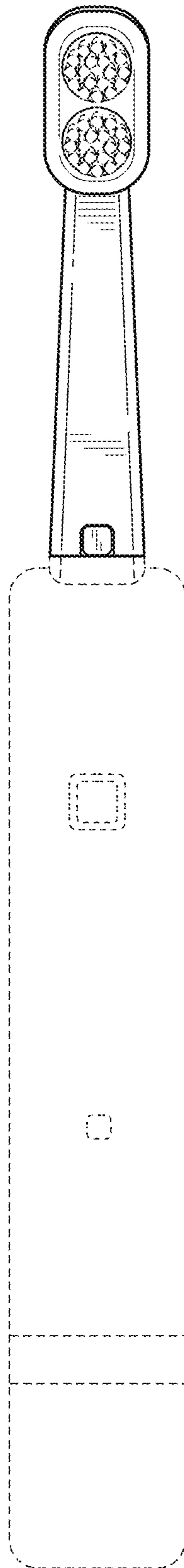


FIG. 29

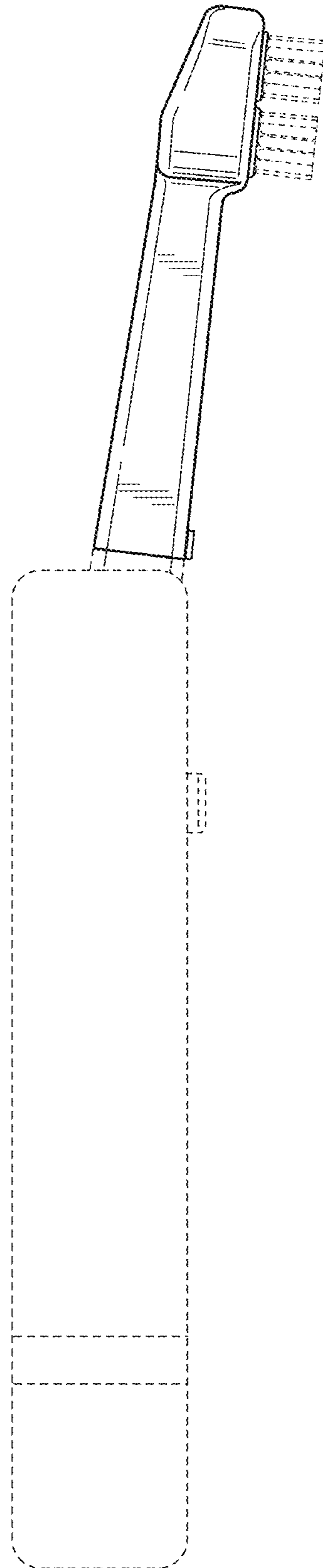


FIG. 30

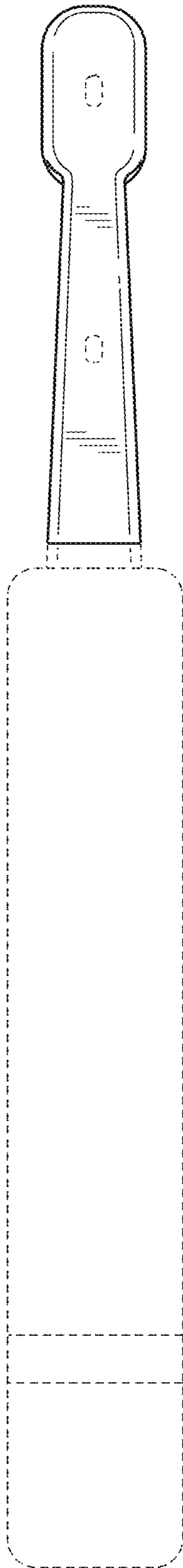


FIG. 31

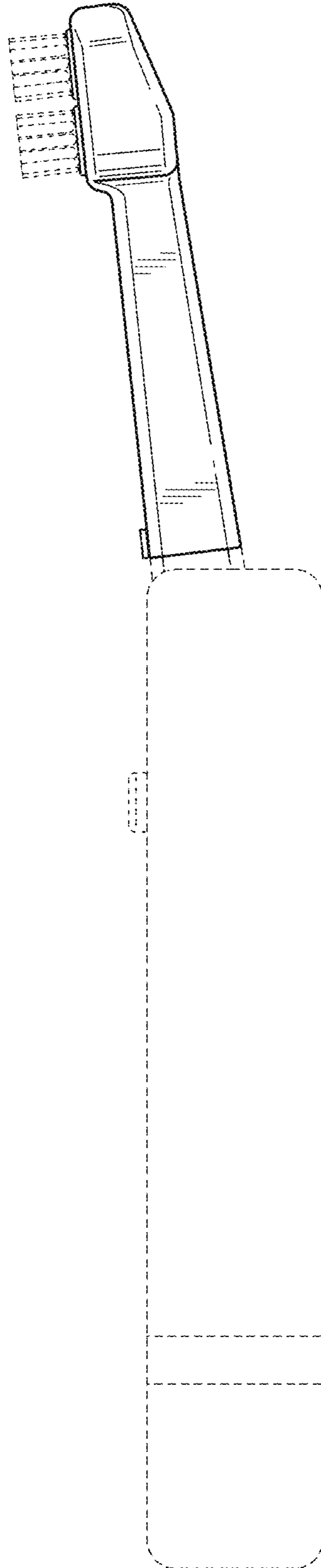


FIG. 32

