



US00D925231S

(12) **United States Design Patent** (10) **Patent No.:** **US D925,231 S**
Gan (45) **Date of Patent:** **** Jul. 20, 2021**

(54) **ANTIBACTERIAL TOOTHBRUSH BRISTLES**

(71) Applicant: **YANGZHOU E.S. TOOTHBRUSH CO., LTD**, Yangzhou (CN)

(72) Inventor: **Sunwei Gan**, Yangzhou (CN)

(73) Assignee: **YANGZHOU E.S. TOOTHBRUSH CO., LTD.**, Yangzhou (CN)

(**) Term: **15 Years**

(21) Appl. No.: **29/668,324**

(22) Filed: **Oct. 30, 2018**

(51) **LOC (13) Cl.** **04-02**

(52) **U.S. Cl.**
USPC **D4/104**

(58) **Field of Classification Search**
USPC D1/106, 199; D4/100–104, 108–111, D4/127, 128, 132–136, 138, 199; D8/61; D13/107, 108; D14/288; D24/119, 146, D24/180; D30/158, 159
CPC A46B 5/00; A46B 9/04; A46B 9/10; A46B 7/00; A46B 2200/1066; A46B 2200/1073; A46B 2200/1086
See application file for complete search history.

(56) **References Cited**

U.S. PATENT DOCUMENTS

- D407,560 S * 4/1999 Huang D4/104
- D464,489 S * 10/2002 Emerick D4/108
- D487,351 S * 3/2004 Frazell D4/104
- 6,752,627 B2 * 6/2004 Lin A46B 15/0002
15/167.1
- D524,056 S * 7/2006 Tapp D4/120
- D578,768 S * 10/2008 Geiberger D4/104

- D623,415 S * 9/2010 Geiberger D4/104
- D776,936 S * 1/2017 Fretwell D4/104
- D825,935 S * 8/2018 Pulfrey D4/134
- D867,763 S * 11/2019 Gan D4/108
- D876,098 S * 2/2020 Gan D4/104
- 2007/0131241 A1 * 6/2007 Nanda A46B 15/0044
132/311
- 2008/0196184 A1 * 8/2008 Mary T. A61C 17/22
15/22.1
- 2012/0137454 A1 * 6/2012 Huy A46B 15/0044
15/22.1

* cited by examiner

Primary Examiner — Cary M Robinson

(57) **CLAIM**

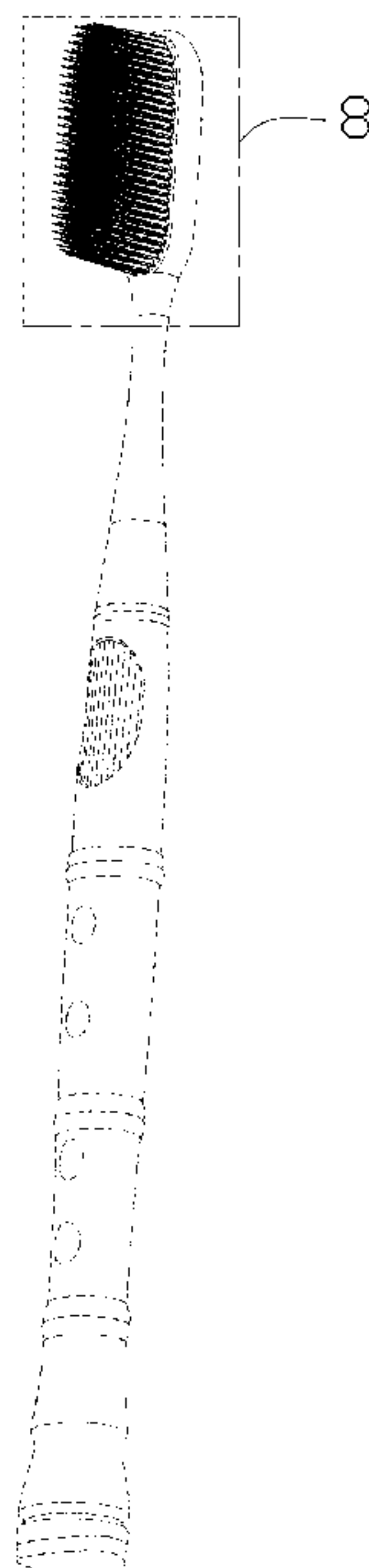
The ornamental design for antibacterial toothbrush bristles, as shown and described.

DESCRIPTION

FIG. 1 is a perspective view of the antibacterial toothbrush bristles showing my new design;
FIG. 2 is a front elevational view thereof;
FIG. 3 is a rear elevational view thereof;
FIG. 4 is a left side elevational view thereof;
FIG. 5 is a right side elevational view thereof;
FIG. 6 is a top plan view thereof;
FIG. 7 is a bottom plan view thereof;
FIG. 8 is an enlarged view of portion 8 in FIG. 1 thereof;
FIG. 9 is an enlarged view of FIG. 7 thereof; and,
FIG. 10 is an enlarged view of FIG. 8 thereof.

The broken lines in the drawings are for the purpose of illustrating portions of the antibacterial toothbrush and the dot dash broken line box in FIG. 1 and FIG. 8 illustrates a boundary of the enlarged portion of the design. None of the broken lines form part of the claimed design.

1 Claim, 10 Drawing Sheets



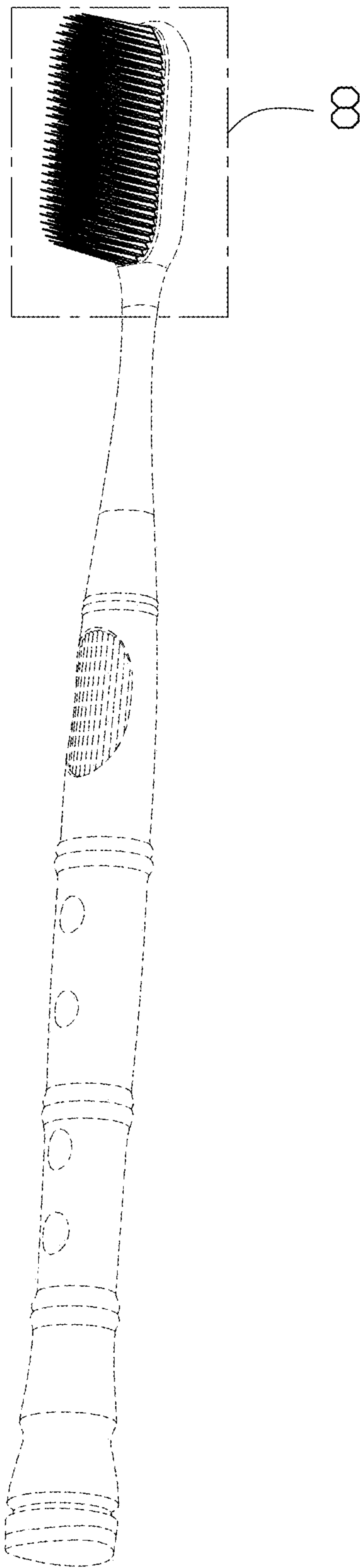


FIG. 1

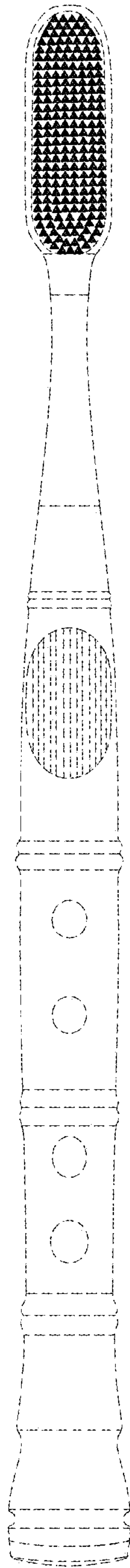


FIG. 2

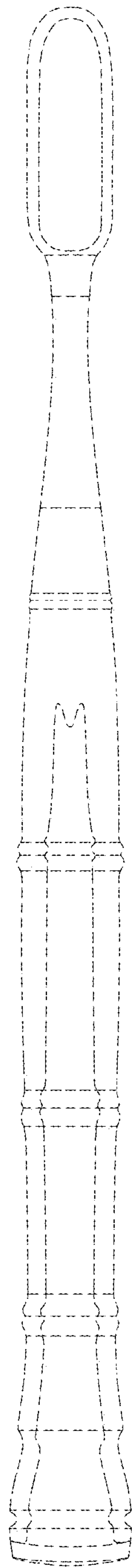


FIG. 3

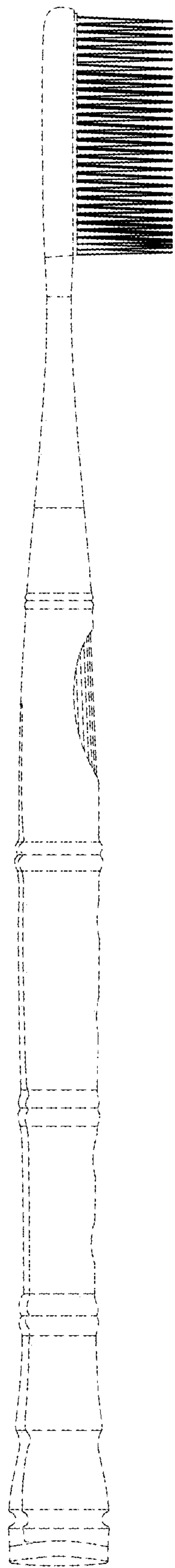


FIG. 4

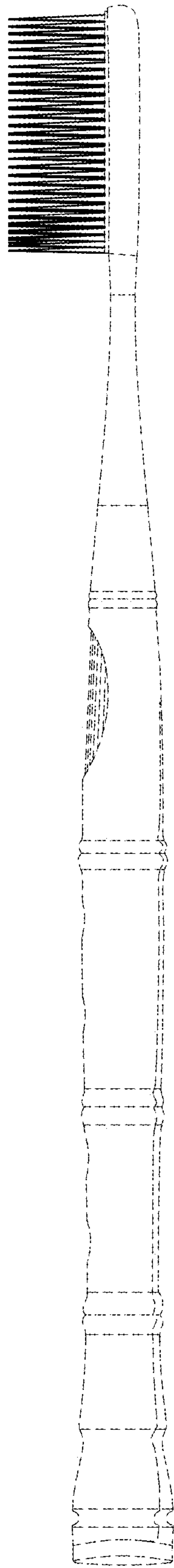


FIG. 5

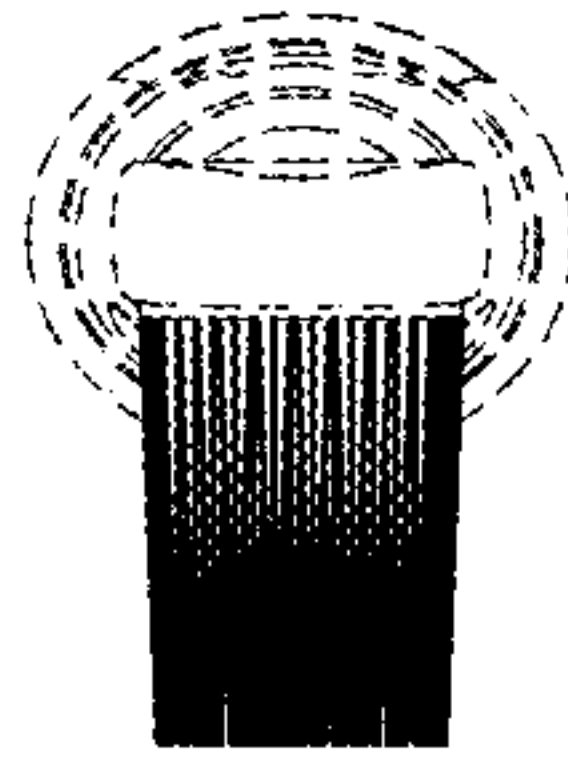


FIG. 6

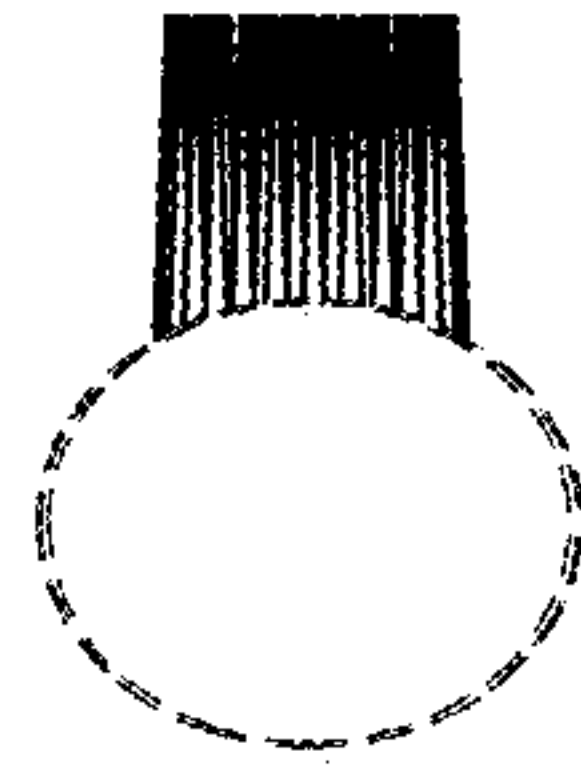


FIG. 7

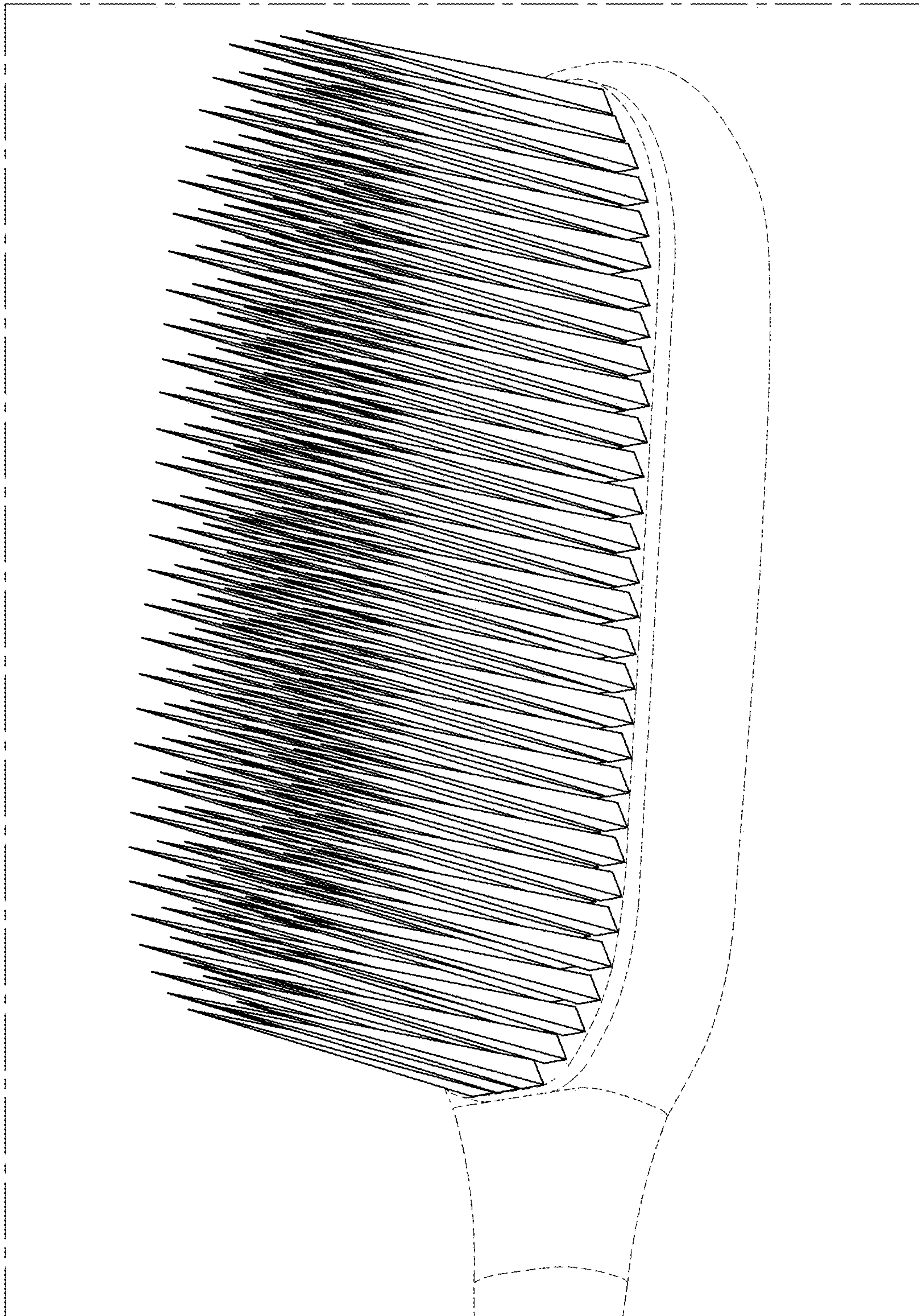


FIG. 8

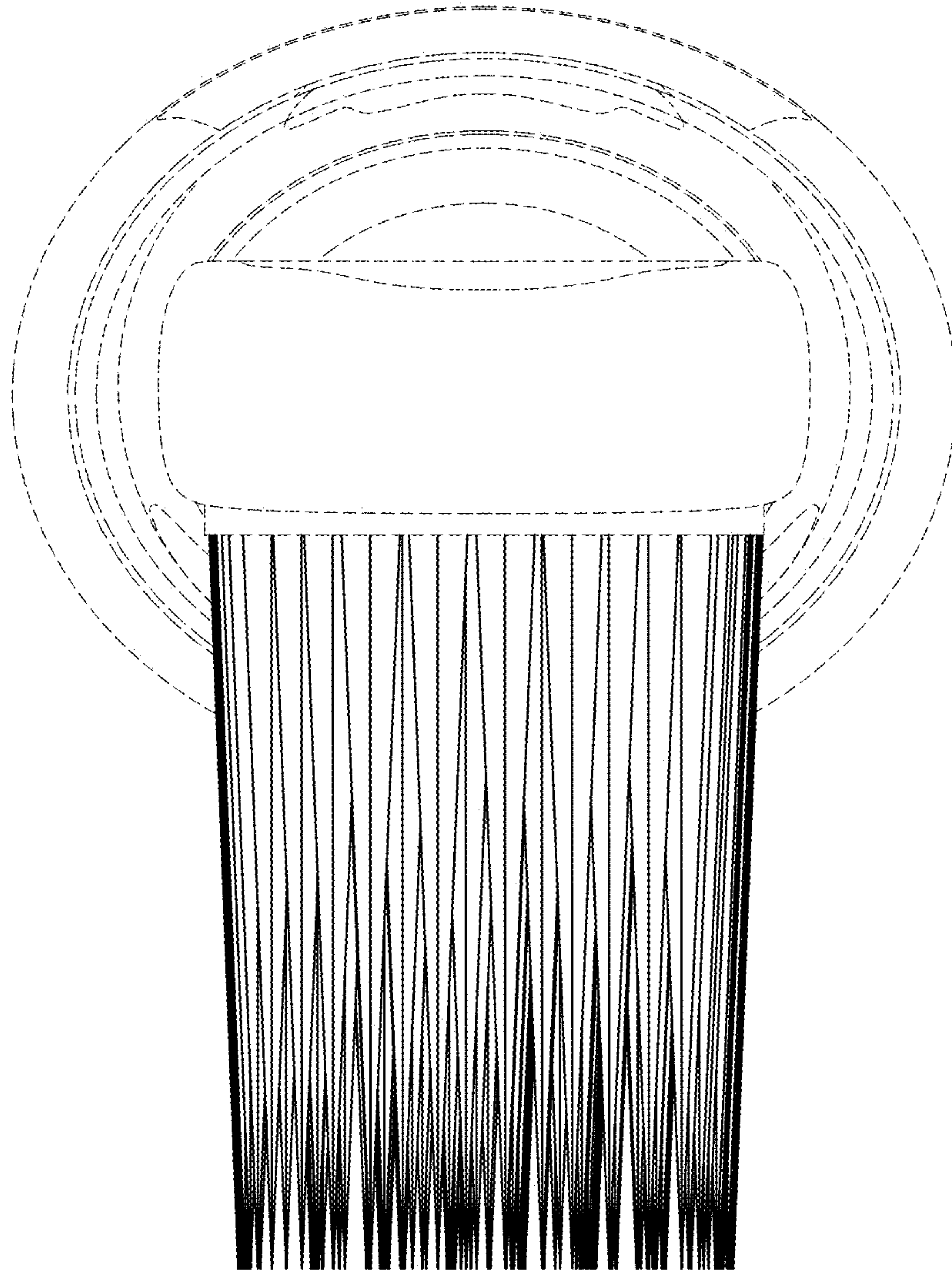


FIG. 9

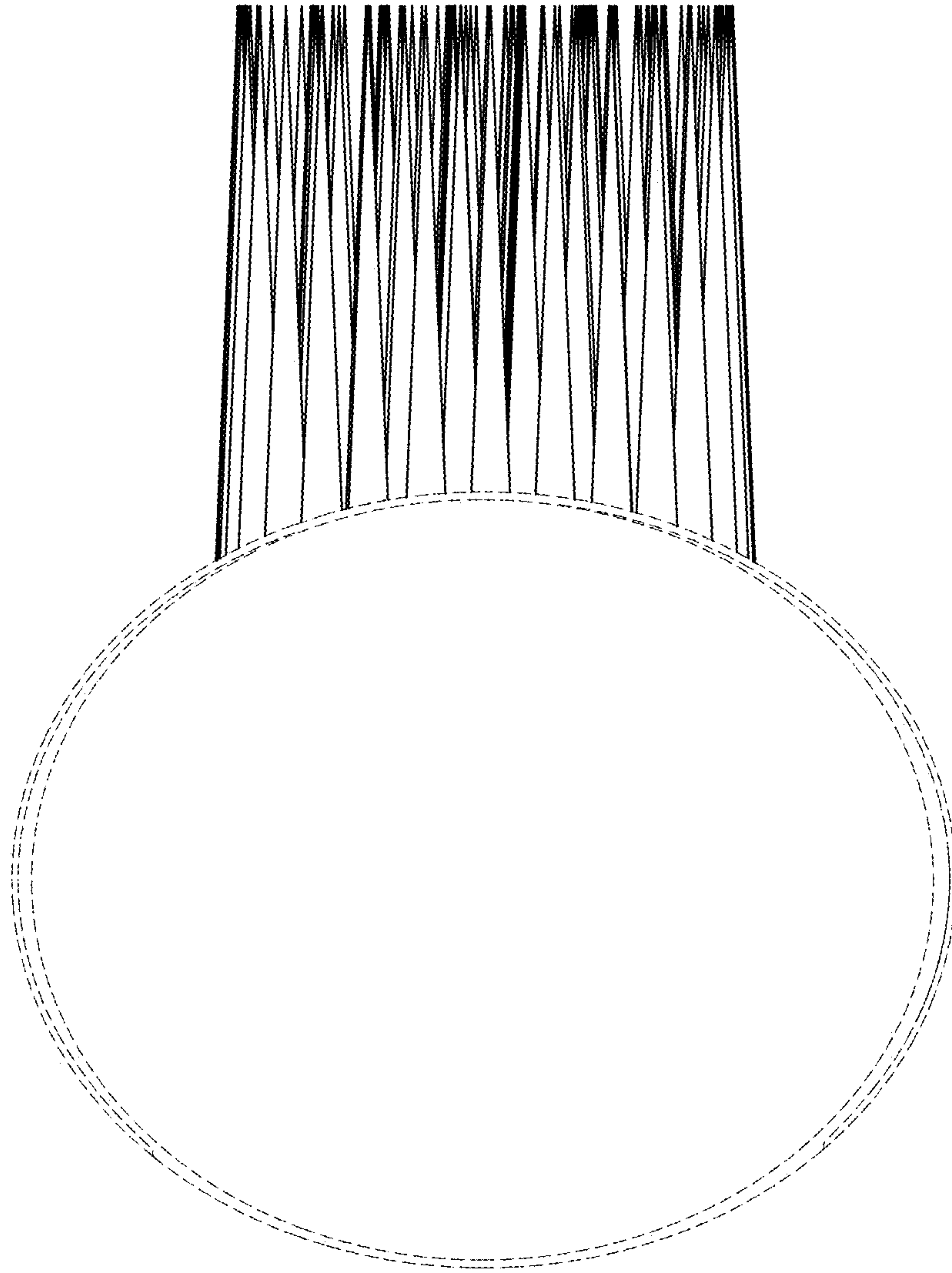


FIG. 10