



US00D925230S

(12) **United States Design Patent**
Huang

(10) **Patent No.:** **US D925,230 S**
(45) **Date of Patent:** **** Jul. 20, 2021**

(54) **DIAPER BAG**

(71) Applicant: **Huali Huang**, Huilai (CN)

(72) Inventor: **Huali Huang**, Huilai (CN)

(**) Term: **15 Years**

(21) Appl. No.: **29/743,153**

(22) Filed: **Jul. 20, 2020**

(51) **LOC (13) Cl.** **03-01**

(52) **U.S. Cl.**
USPC **D3/317**

(58) **Field of Classification Search**

USPC D3/201, 213–219, 221, 224, 225, 229,
D3/230, 232, 243–246, 254, 318
CPC .. A45C 3/08; A45C 3/06; A45C 13/08; A45C
13/02; A45C 7/0086; A45C 3/00; A45C
13/26; A45F 3/04; A45F 3/02
See application file for complete search history.

(56) **References Cited**

U.S. PATENT DOCUMENTS

D500,590 S	1/2005	Sachen	
D819,959 S	6/2018	Choi	
D861,329 S *	10/2019	Wei	D3/217
D872,992 S	1/2020	He	
D875,385 S *	2/2020	Carter	D3/217
D879,464 S	3/2020	Vario, Jr.	
D880,847 S	4/2020	Huang	
D895,272 S *	9/2020	Zhitian	D3/217
D895,273 S *	9/2020	Zhitian	D3/217

D896,505 S *	9/2020	Yuan	D3/217
2002/0139820 A1 *	10/2002	Godshaw	A45F 4/02 224/153
2003/0024960 A1 *	2/2003	Greenstein	A45F 3/047 224/153

* cited by examiner

Primary Examiner — Jennifer L Watkins

(74) *Attorney, Agent, or Firm* — Rumit Ranjit Kanakia

(57) **CLAIM**

I claim the ornamental design for a diaper bag, as shown and described.

DESCRIPTION

FIG. 1 is a Perspective view of a diaper bag showing my new design;

FIG. 2 is a Front view thereof;

FIG. 3 is a Back view thereof;

FIG. 4 is a Right-side view thereof;

FIG. 5 is a Left-side view thereof;

FIG. 6 is a Top view thereof; and,

FIG. 7 is a Bottom view thereof.

The broken lines on the surface of the diaper bag depict stitching and form no part of the claim. The broken lines depicting zipper tread and zipper toggles depict portions of the article and form no part of the claim.

1 Claim, 7 Drawing Sheets



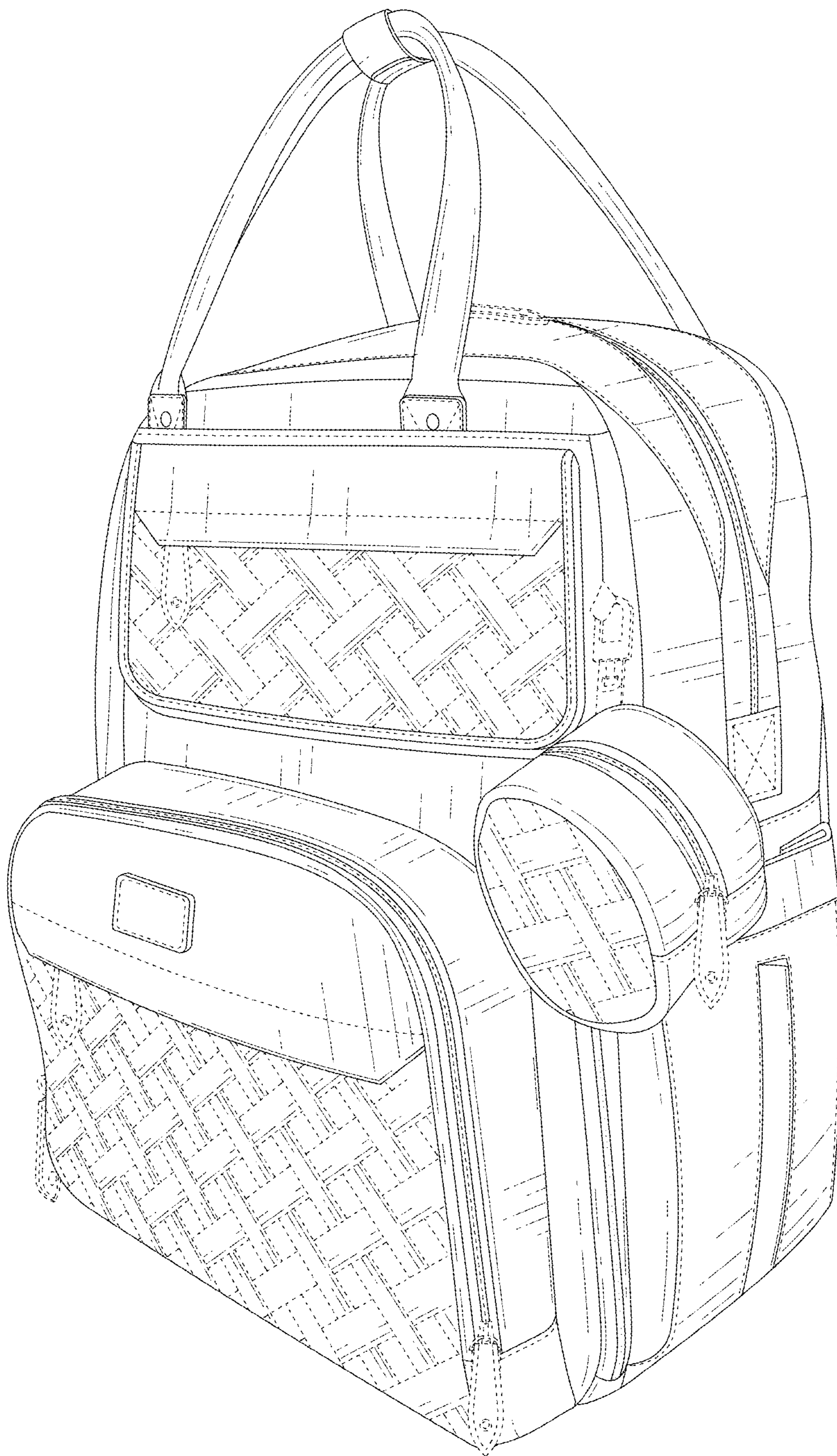


FIG. 1



FIG. 2

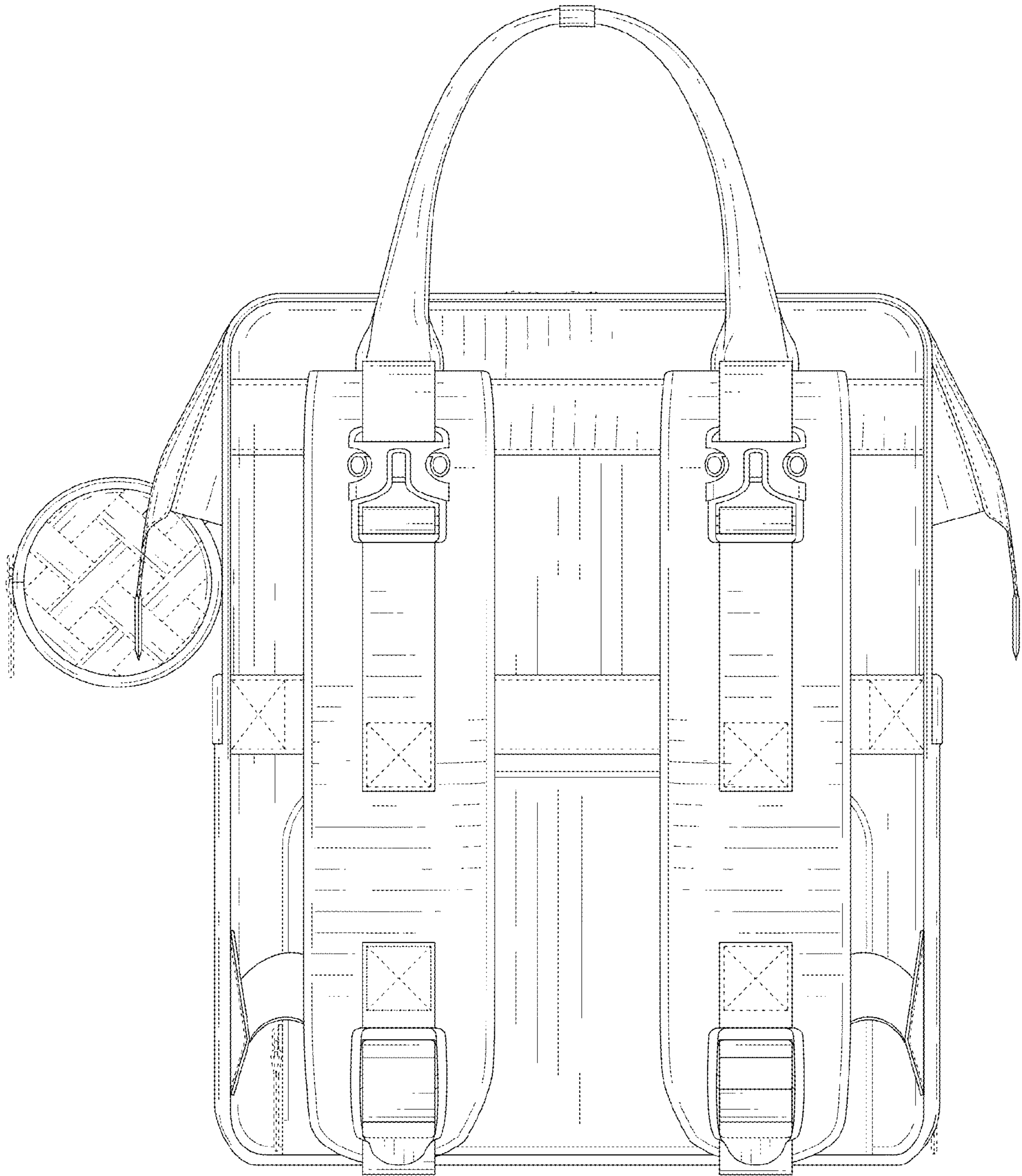


FIG. 3

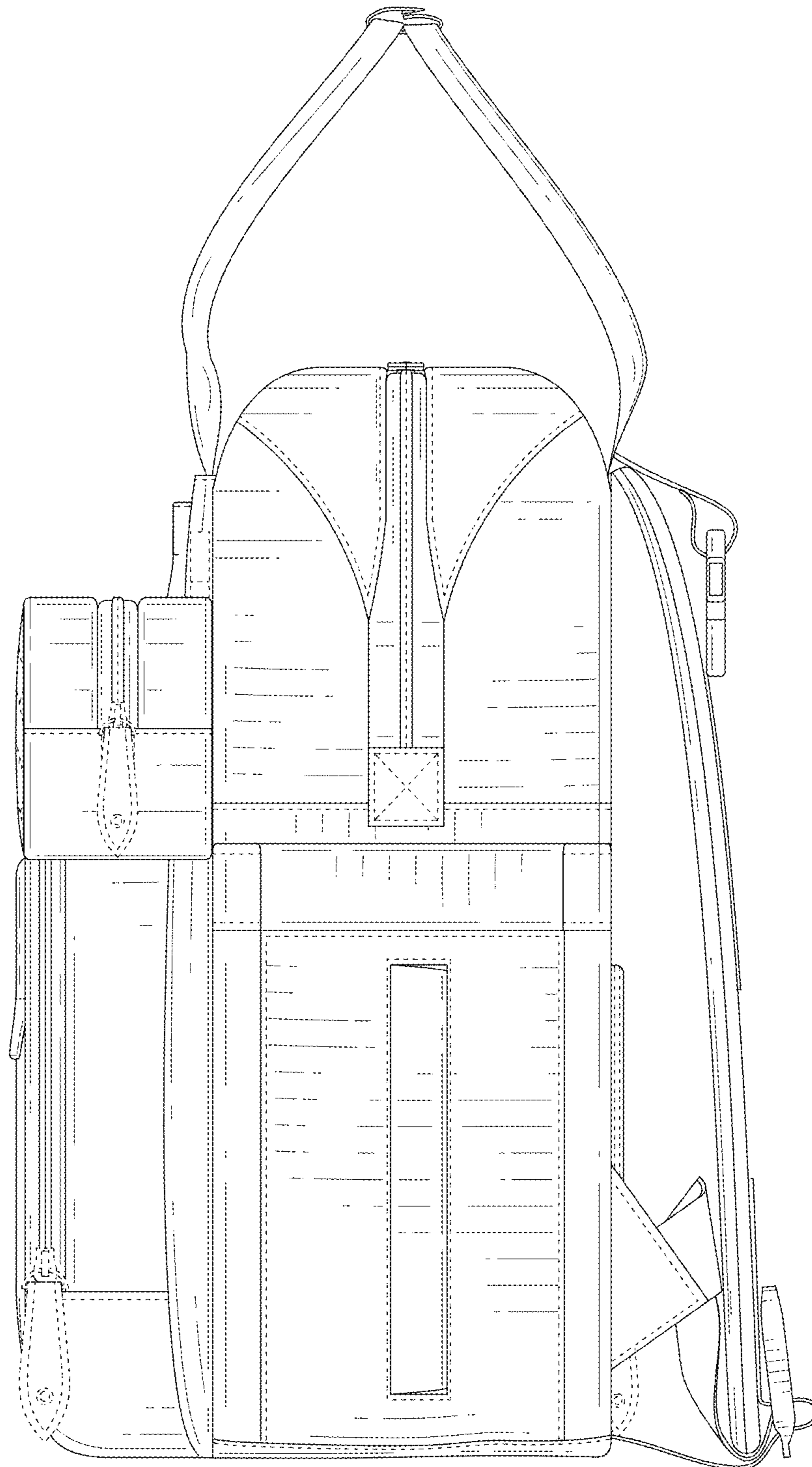


FIG. 4

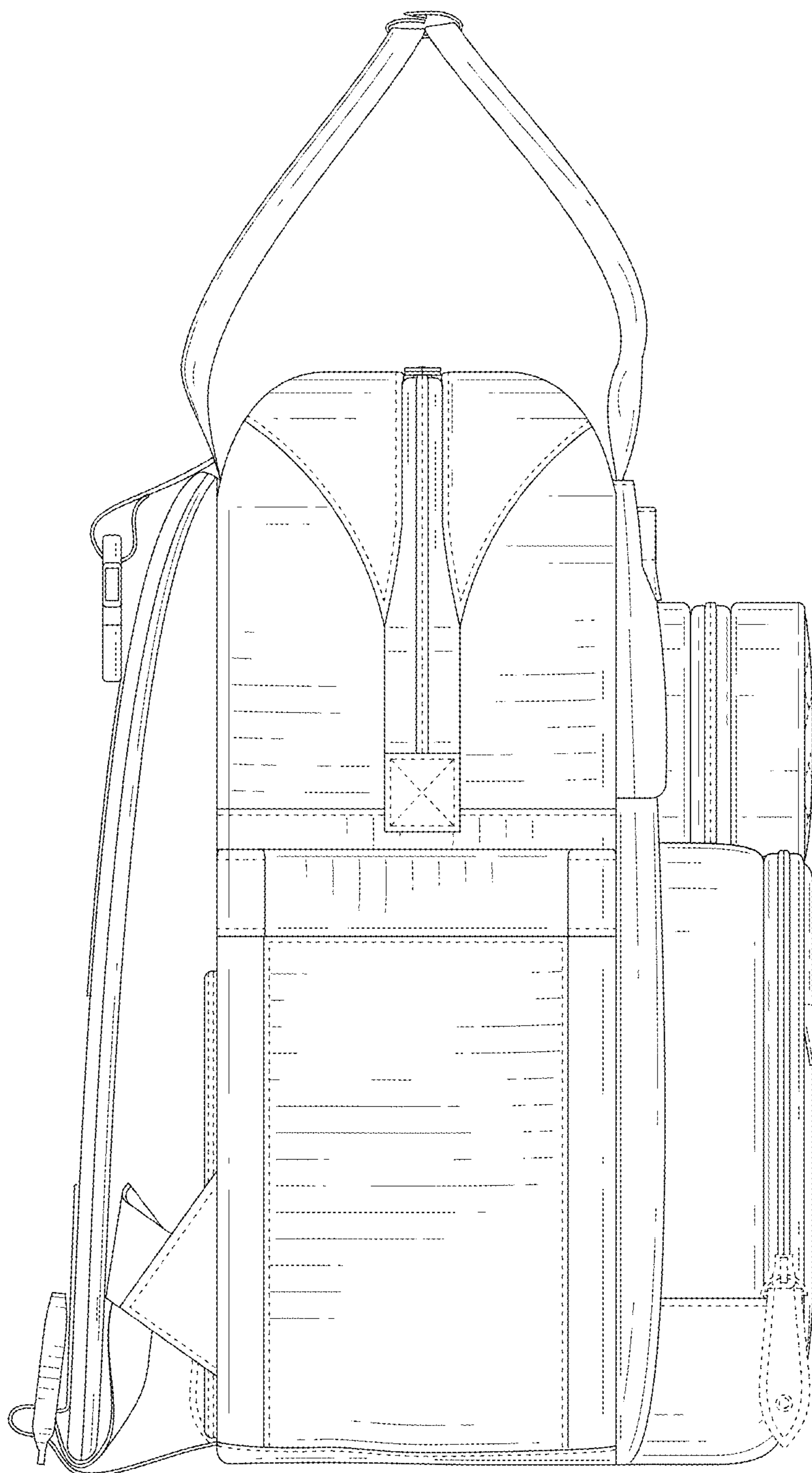


FIG. 5

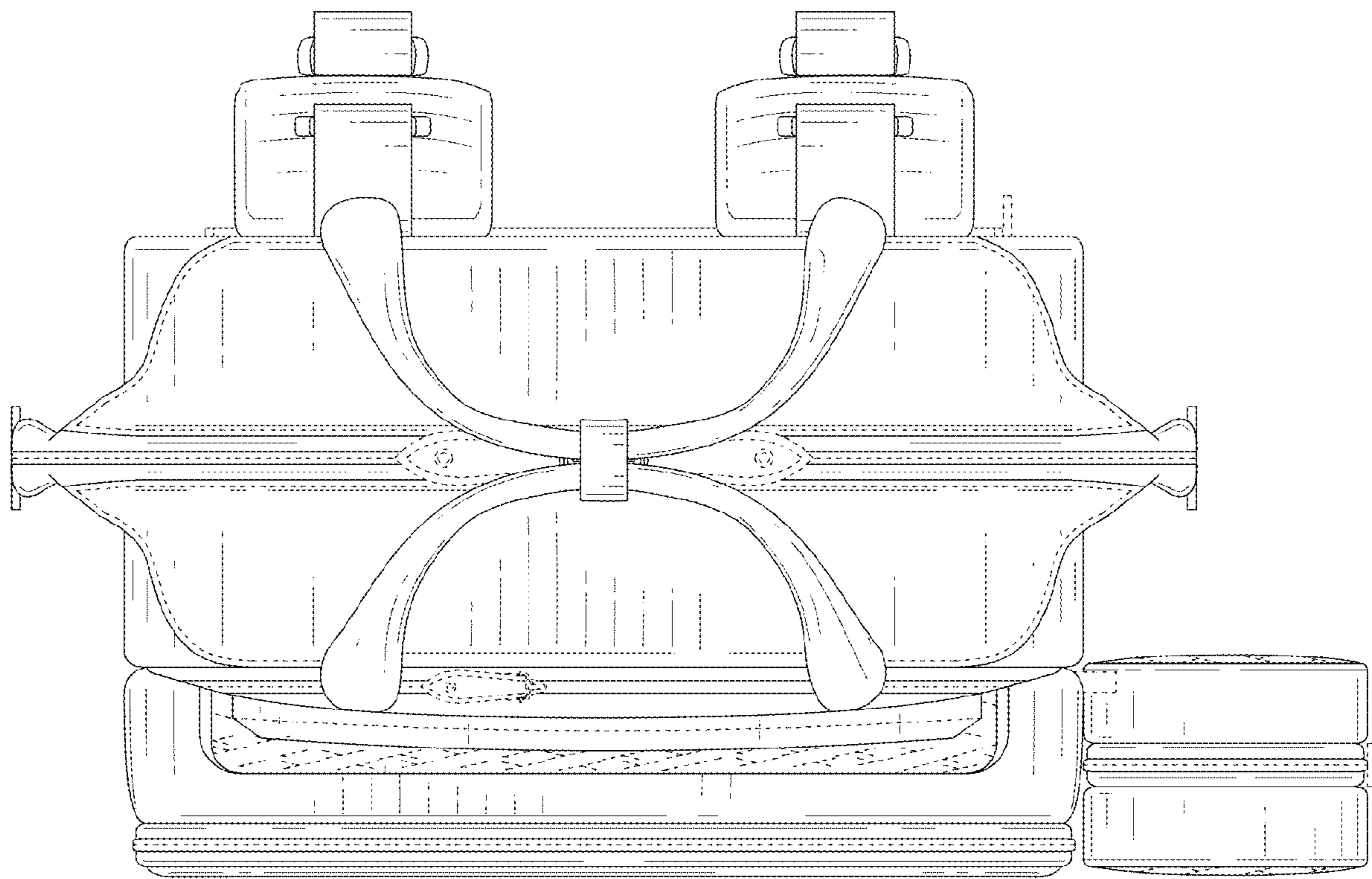


FIG. 6

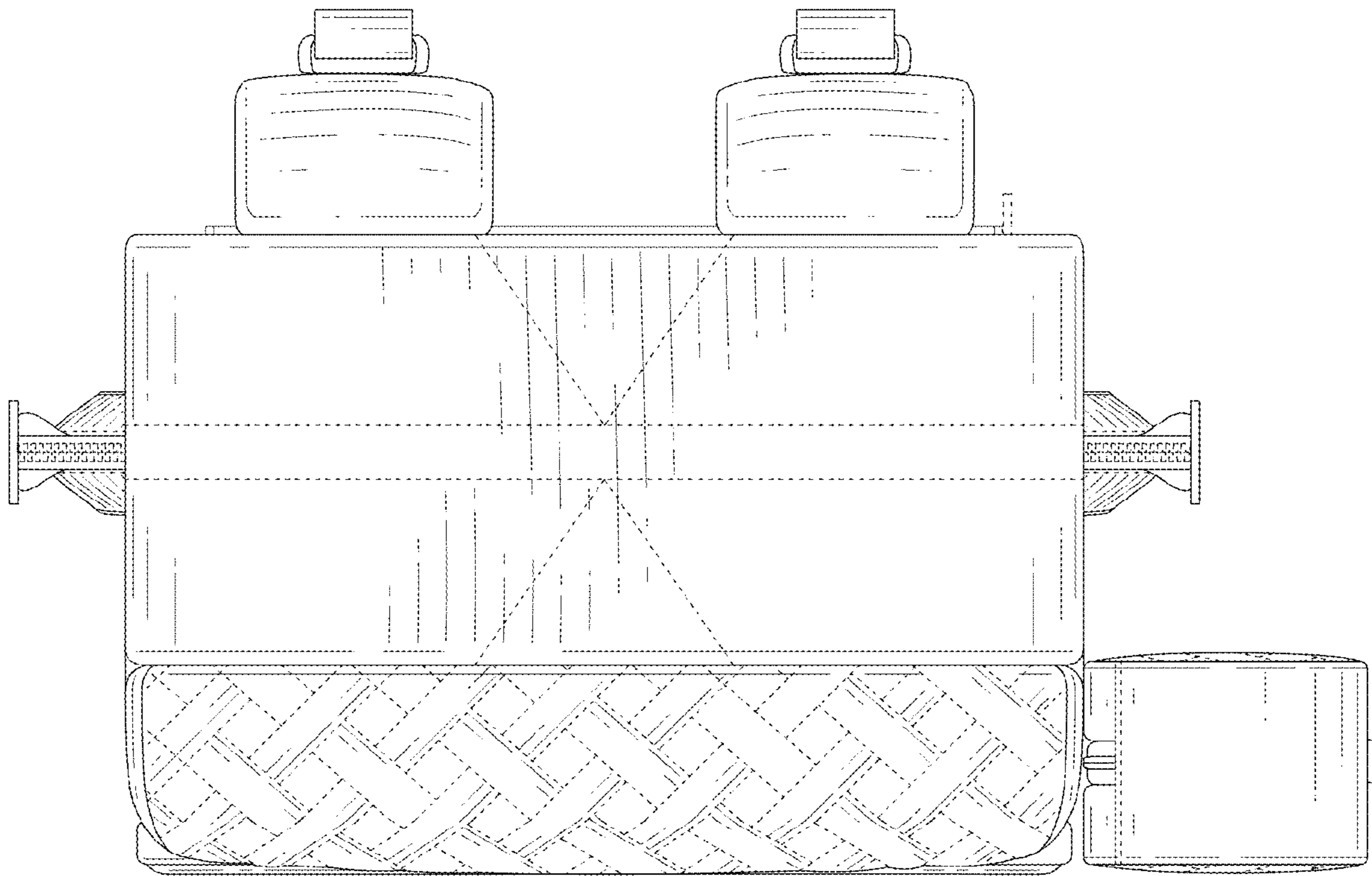


FIG. 7