



US00D925229S

(12) **United States Design Patent** (10) **Patent No.:** **US D925,229 S**
Kraemer (45) **Date of Patent:** **** Jul. 20, 2021**

- (54) **HOLDER**
- (71) Applicant: **InterDesign, Inc.**, Solon, OH (US)
- (72) Inventor: **Kevin Francis Kraemer**, Chagrin Falls, OH (US)
- (73) Assignee: **InterDesign, Inc.**, Solon, OH (US)
- (**) Term: **15 Years**
- (21) Appl. No.: **29/664,518**
- (22) Filed: **Sep. 26, 2018**

D747,102 S *	1/2016	Kraemer	D3/307
D772,575 S *	11/2016	Stelmarski	D3/304
D806,391 S *	1/2018	Ghiorghie	D3/304
D809,797 S *	2/2018	Kraemer	D3/307
D825,923 S *	8/2018	Suomela	D3/304
D832,115 S *	10/2018	Fitchett	D9/711
D842,606 S *	3/2019	Kraemer	D3/307
D842,607 S *	3/2019	Kraemer	D3/310
D866,973 S *	11/2019	Snell	D3/314
D872,482 S *	1/2020	Harvey	D3/304
D878,051 S *	3/2020	Kraemer	D3/307
D893,874 S *	8/2020	Kraemer	D3/310
D895,289 S *	9/2020	Greenwood	D3/304
D895,970 S *	9/2020	Kraemer	D3/310
D902,594 S *	11/2020	Kraemer	D3/310
D907,365 S *	1/2021	Roe	D3/307
D912,985 S *	3/2021	Kraemer	D3/314

(Continued)

Related U.S. Application Data

- (63) Continuation of application No. 29/576,756, filed on Sep. 7, 2016, now Pat. No. Des. 830,060, which is a continuation of application No. 29/487,228, filed on Apr. 7, 2014, now Pat. No. Des. 767,950.
- (51) **LOC (13) Cl.** **03-01**
- (52) **U.S. Cl.**
USPC **D3/307**
- (58) **Field of Classification Search**
USPC D3/304, 307-309, 201; D19/86, 92, 100
CPC B65D 1/22; B65D 1/34; B65D 1/38; A47B
88/906; A47B 88/994; A47J 47/00; A47J
47/16; A47F 3/14
See application file for complete search history.

Primary Examiner — Kelley A Donnelly

(74) *Attorney, Agent, or Firm* — Calfee, Halter & Griswold LLP

(57) **CLAIM**

I claim the ornamental design for a holder, as shown and described.

DESCRIPTION

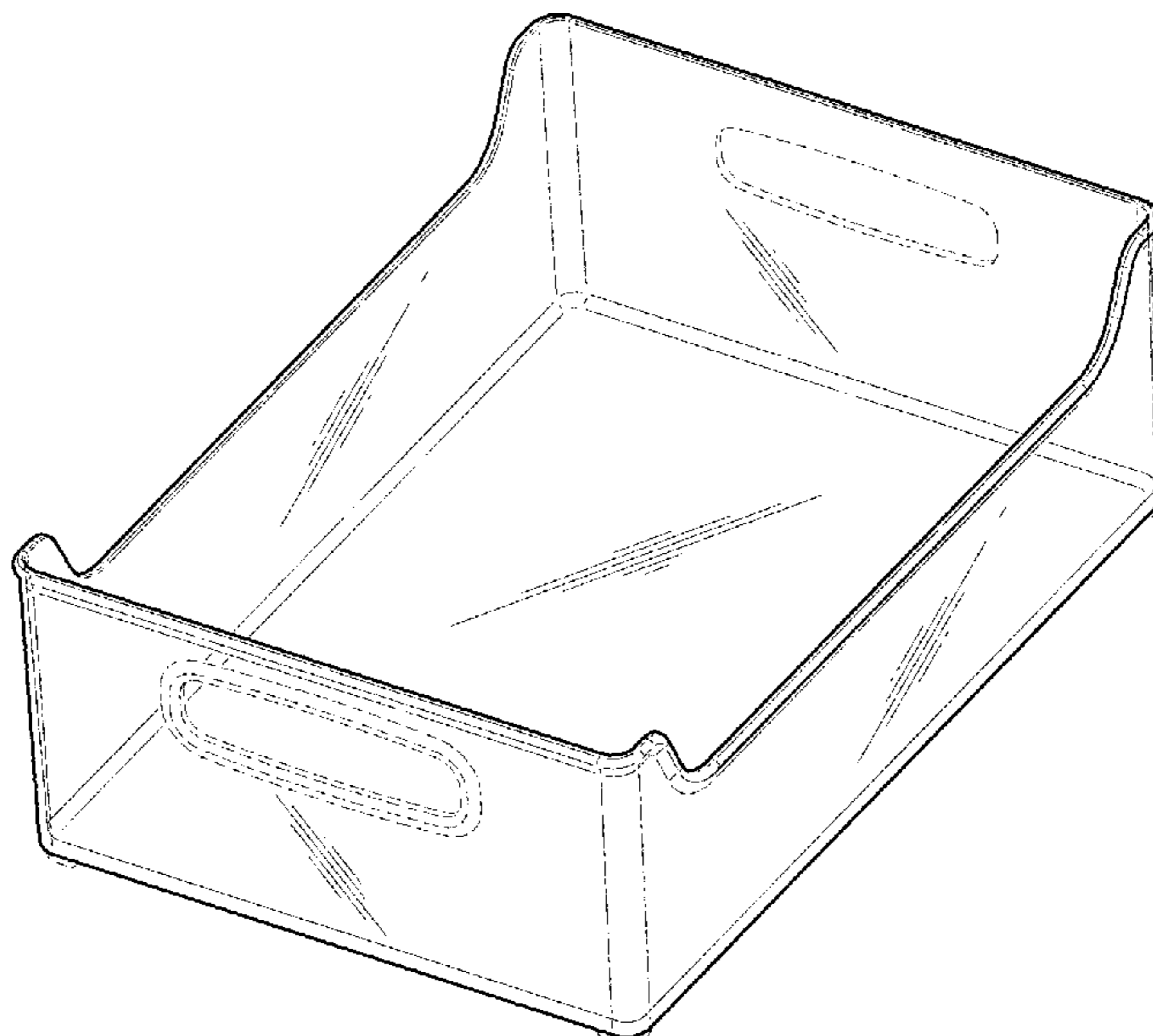
FIG. 1 is a front/right/top perspective view of a holder (a front/left/top perspective view would be a mirror image thereof);
 FIG. 2 is a rear/left/bottom perspective view thereof (a rear/right/bottom perspective view would be a mirror image thereof);
 FIG. 3 is a front elevational view thereof;
 FIG. 4 is a left side elevational view thereof;
 FIG. 5 is a top plan view thereof; and,
 FIG. 6 is a bottom plan view thereof.
 The broken lines depict portions of the holder that form no part of the claimed design.

(56) **References Cited**

U.S. PATENT DOCUMENTS

3,813,256 A *	5/1974	Feinberg	A47J 36/022
				427/236
D292,634 S *	11/1987	Chabot	D3/307
D495,490 S *	9/2004	Garrett	D3/304
D530,918 S *	10/2006	Snell	D3/304
D596,311 S *	7/2009	Antons	D24/227
D692,668 S *	11/2013	Hu	D3/306
D732,827 S *	6/2015	Suomela	D3/304

1 Claim, 5 Drawing Sheets



(56)

References Cited

U.S. PATENT DOCUMENTS

D915,073 S * 4/2021 Kraemer D3/307
2015/0136719 A1* 5/2015 Bally A61B 50/33
211/126.1

* cited by examiner

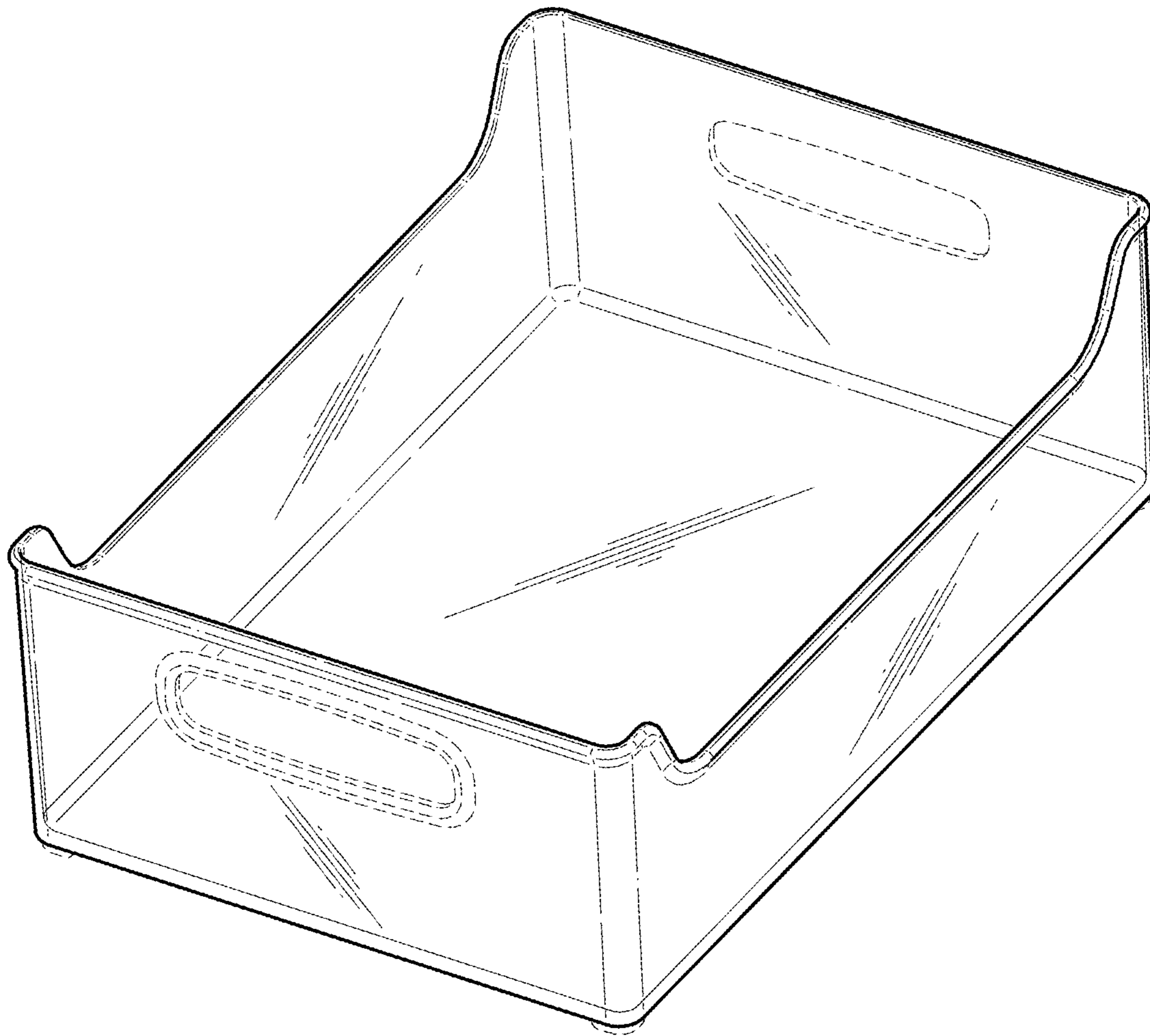


FIG. 1

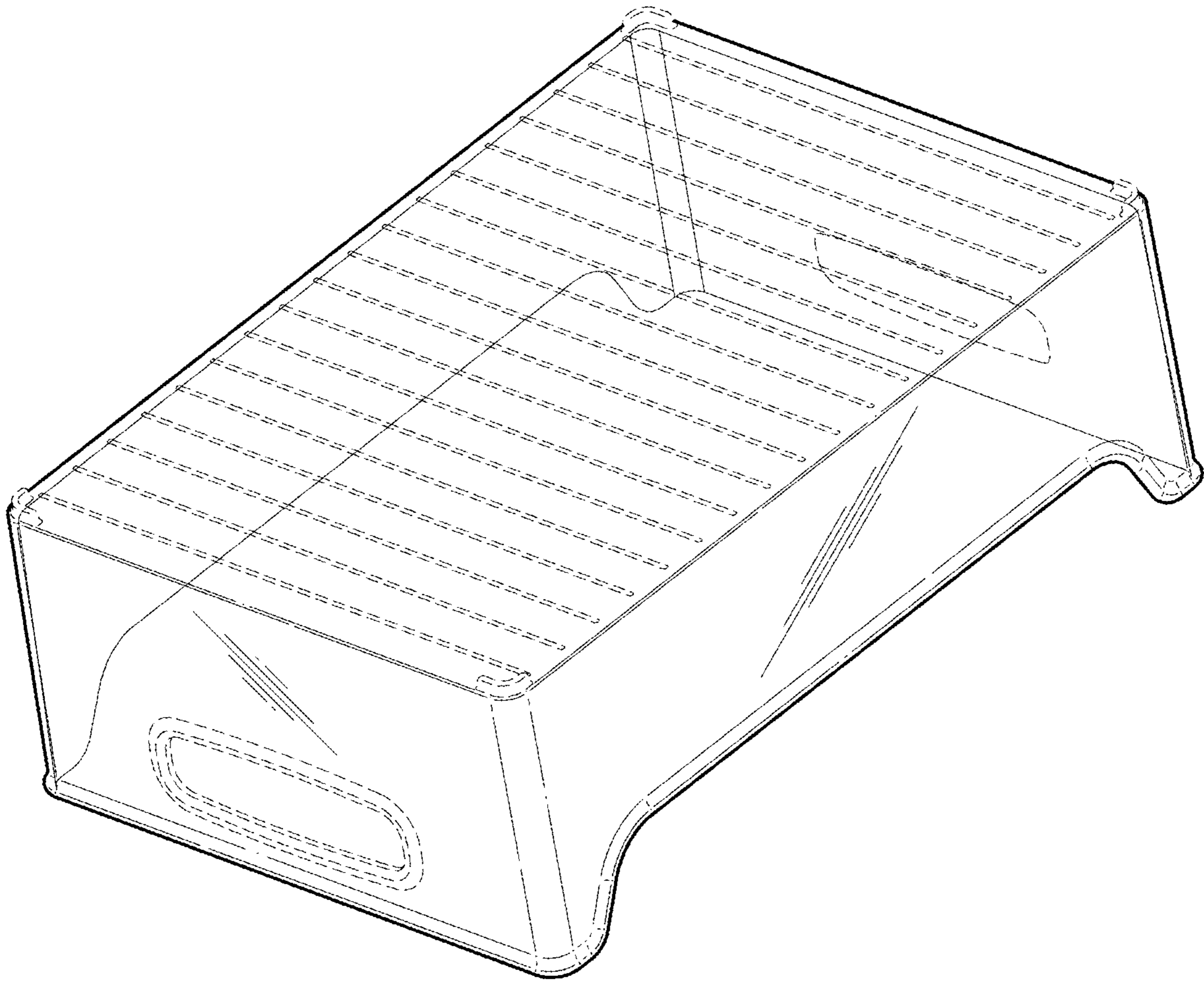


FIG. 2

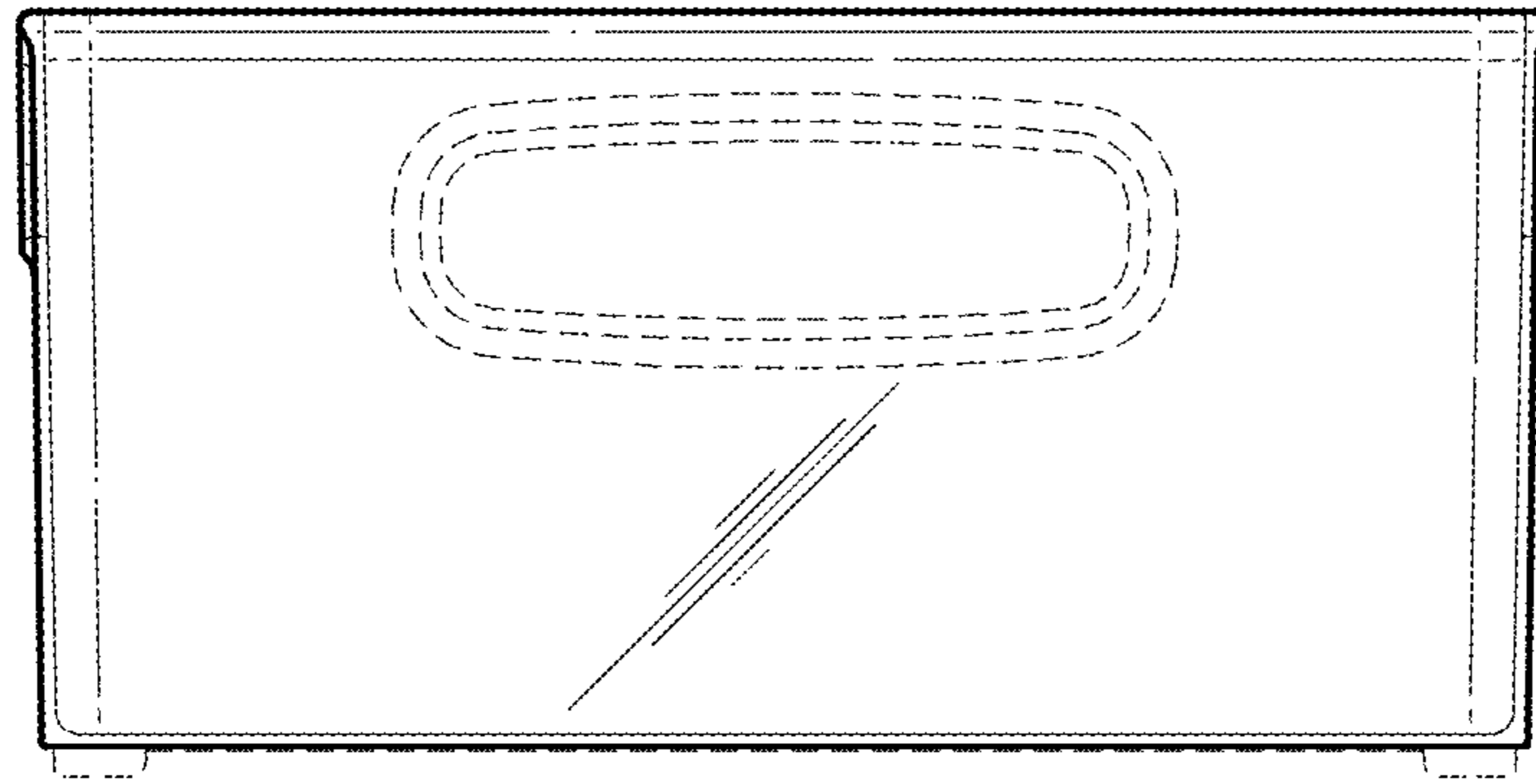


FIG. 3

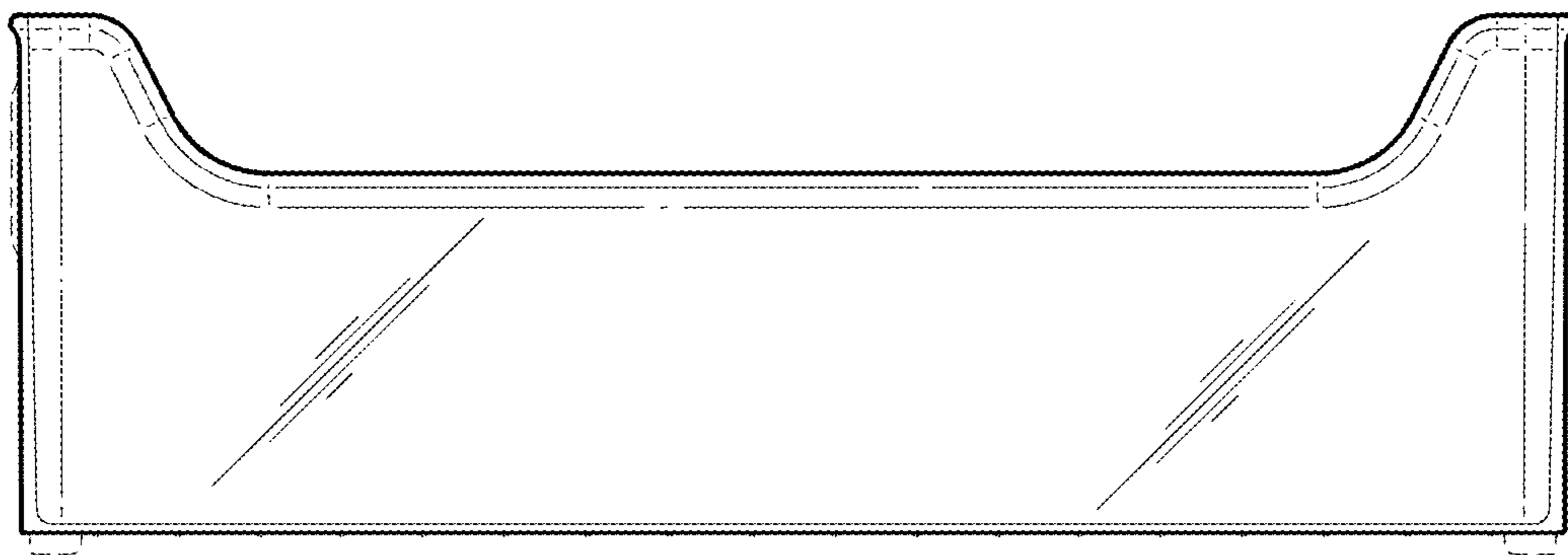


FIG. 4

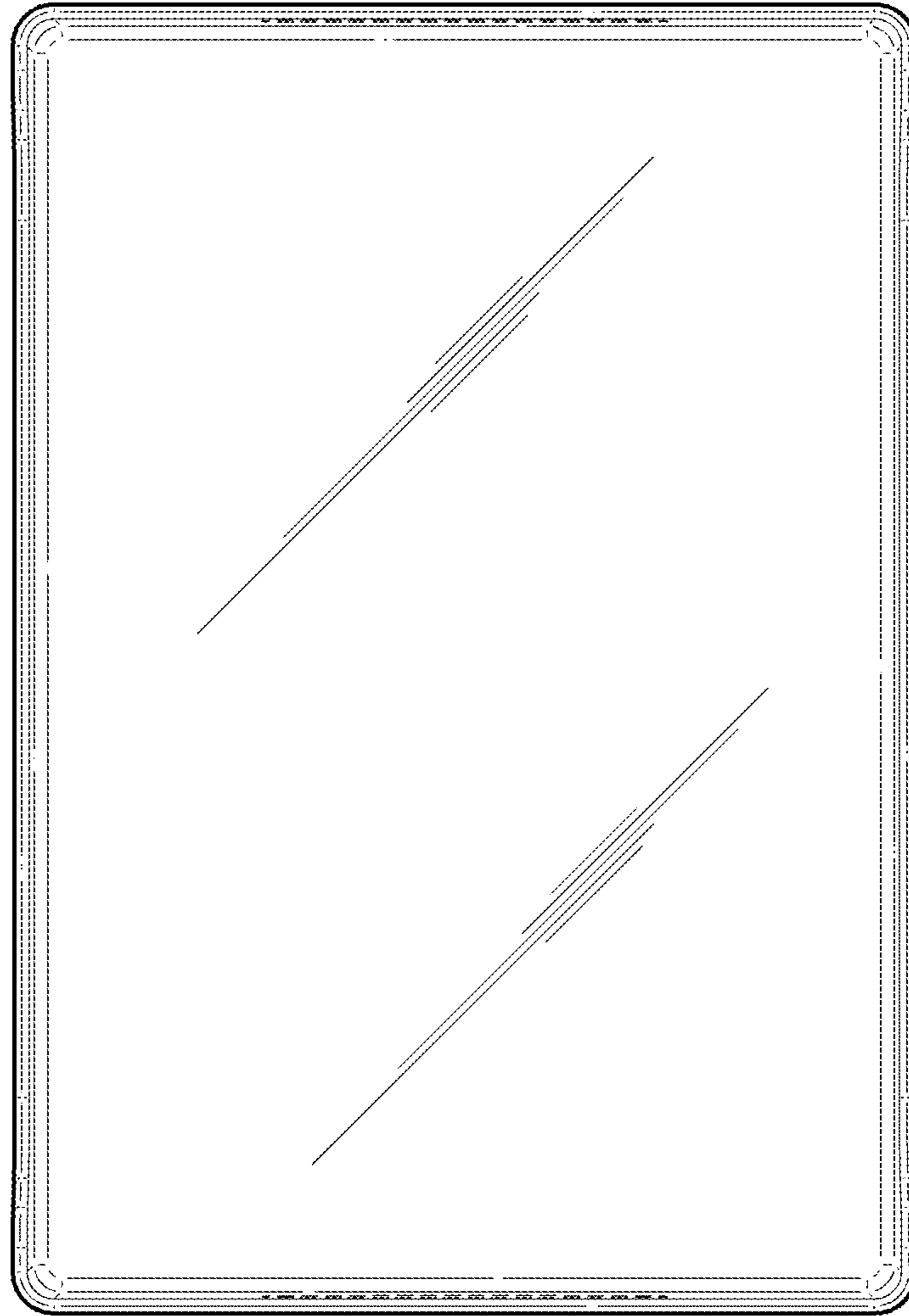


FIG. 5

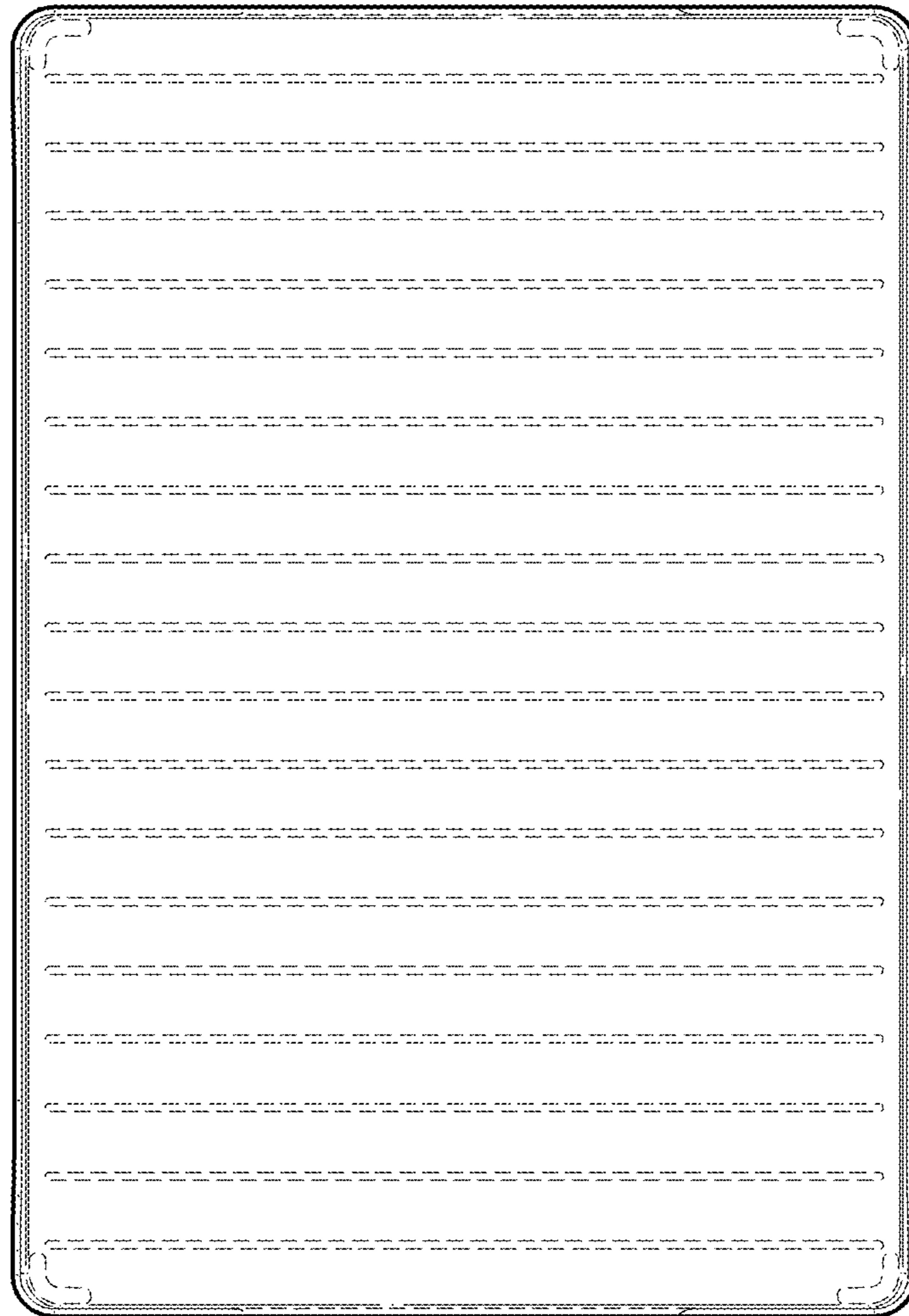


FIG. 6