

US00D925224S

(12) **United States Design Patent**
Jamison

(10) **Patent No.:** **US D925,224 S**

(45) **Date of Patent:** **** Jul. 20, 2021**

(54) **DENTAL DRILL ACCESSORY KIT**

(71) Applicant: **GRS Guide System, Inc.**, Beverly Hills, CA (US)

(72) Inventor: **Mark Bennett Jamison**, Los Angeles, CA (US)

(73) Assignee: **GRS Guide System, Inc.**, Beverly Hills, CA (US)

(**) Term: **15 Years**

(21) Appl. No.: **29/646,792**

(22) Filed: **May 7, 2018**

(51) **LOC (13) Cl.** **03-01**

(52) **U.S. Cl.**
USPC **D3/295**

(58) **Field of Classification Search**
USPC D3/272, 273, 274, 275, 276, 281, 284,
D3/292, 294, 295, 306, 905
CPC .. A45C 5/00; A45C 5/04; A45C 11/00; A45C
11/16
See application file for complete search history.

(56) **References Cited**

U.S. PATENT DOCUMENTS

691,695 A * 1/1902 Aderer A61C 19/02
206/369
D288,482 S * 2/1987 Blatherwick D24/230

D324,952 S * 3/1992 Berland D3/203.1
D393,542 S * 4/1998 Thompson D3/294
D579,195 S * 10/2008 Kagawa D3/203.1
D619,089 S * 7/2010 Chen D13/102
9,545,297 B1 * 1/2017 Krastev A61B 90/94
D866,794 S * 11/2019 Guttery D24/227

* cited by examiner

Primary Examiner — Holly E Thurman

(74) *Attorney, Agent, or Firm* — Proskauer Rose LLP

(57) **CLAIM**

The ornamental design for a dental drill accessory kit, as shown and described.

DESCRIPTION

FIG. 1 shows a front perspective view of an embodiment of the Design, in an open configuration, with an internal tray removed, exposing drill stop mounts.

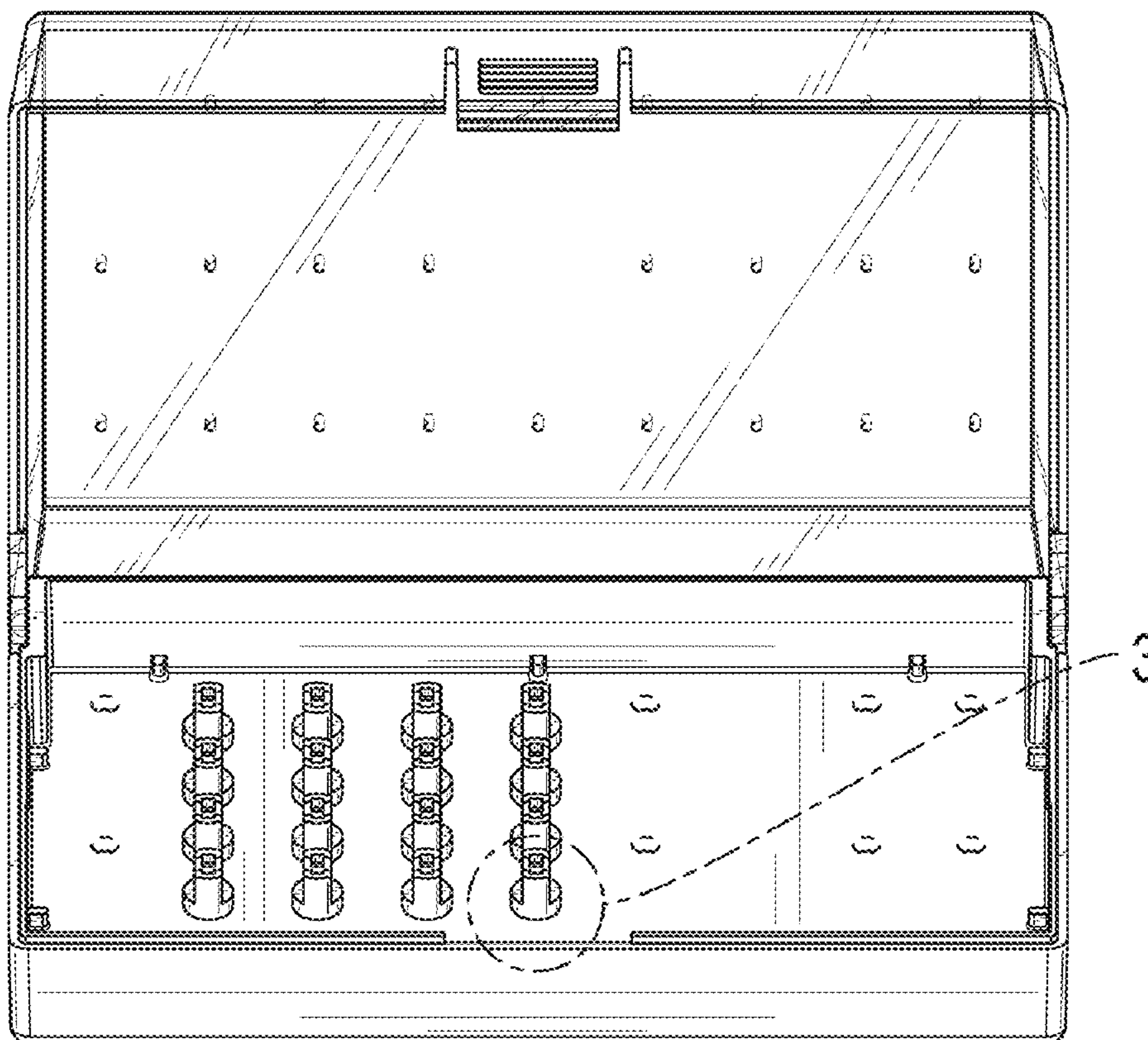
FIG. 2 shows a front perspective view of an embodiment of the Design, in an open configuration, with an internal tray removed, exposing drill stop mounts containing drill stops.

FIG. 3 shows a perspective enlarged view of the drill stop mounts of FIG. 1; and,

FIG. 4 shows a perspective enlarged view of the drill stop mounts with drill stops of FIG. 2.

The broken lines shown in the drawings represent unclaimed portions of the dental drill accessory kit and form no part of the claimed design. The dot-dash lines in the drawings depicts the boundary of the enlarged view and forms no part of the claimed design.

1 Claim, 2 Drawing Sheets



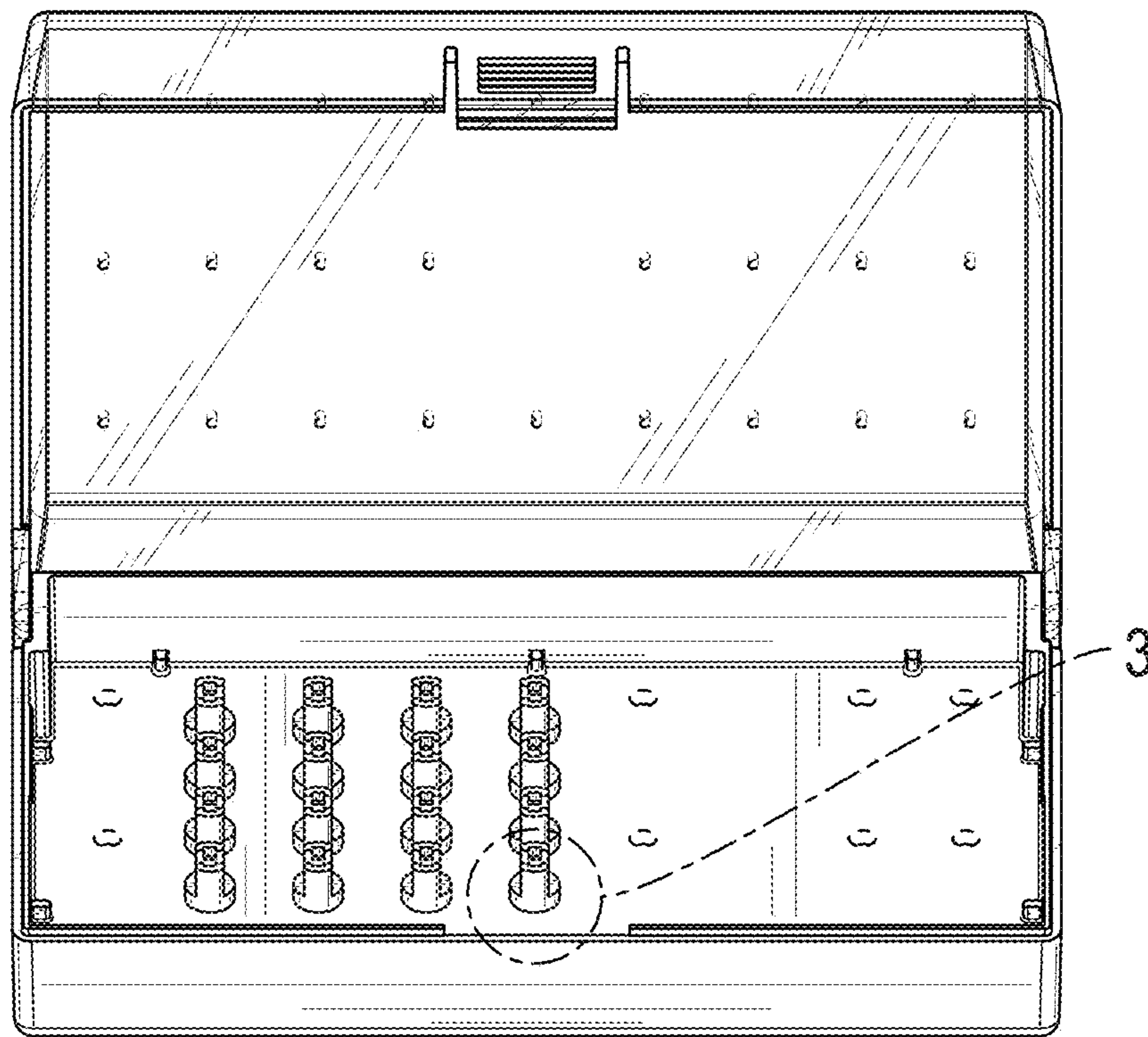


FIG. 1

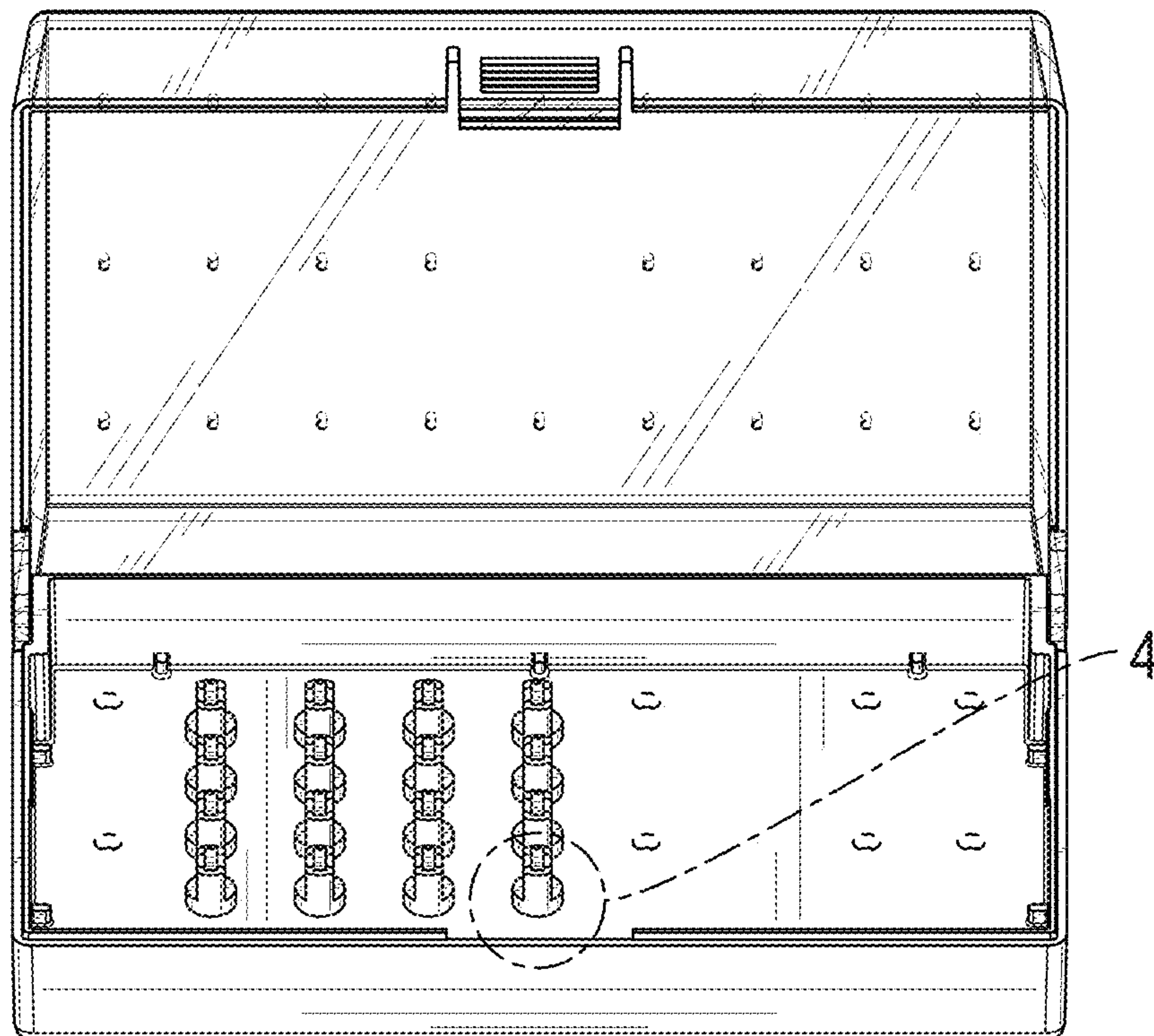


FIG. 2

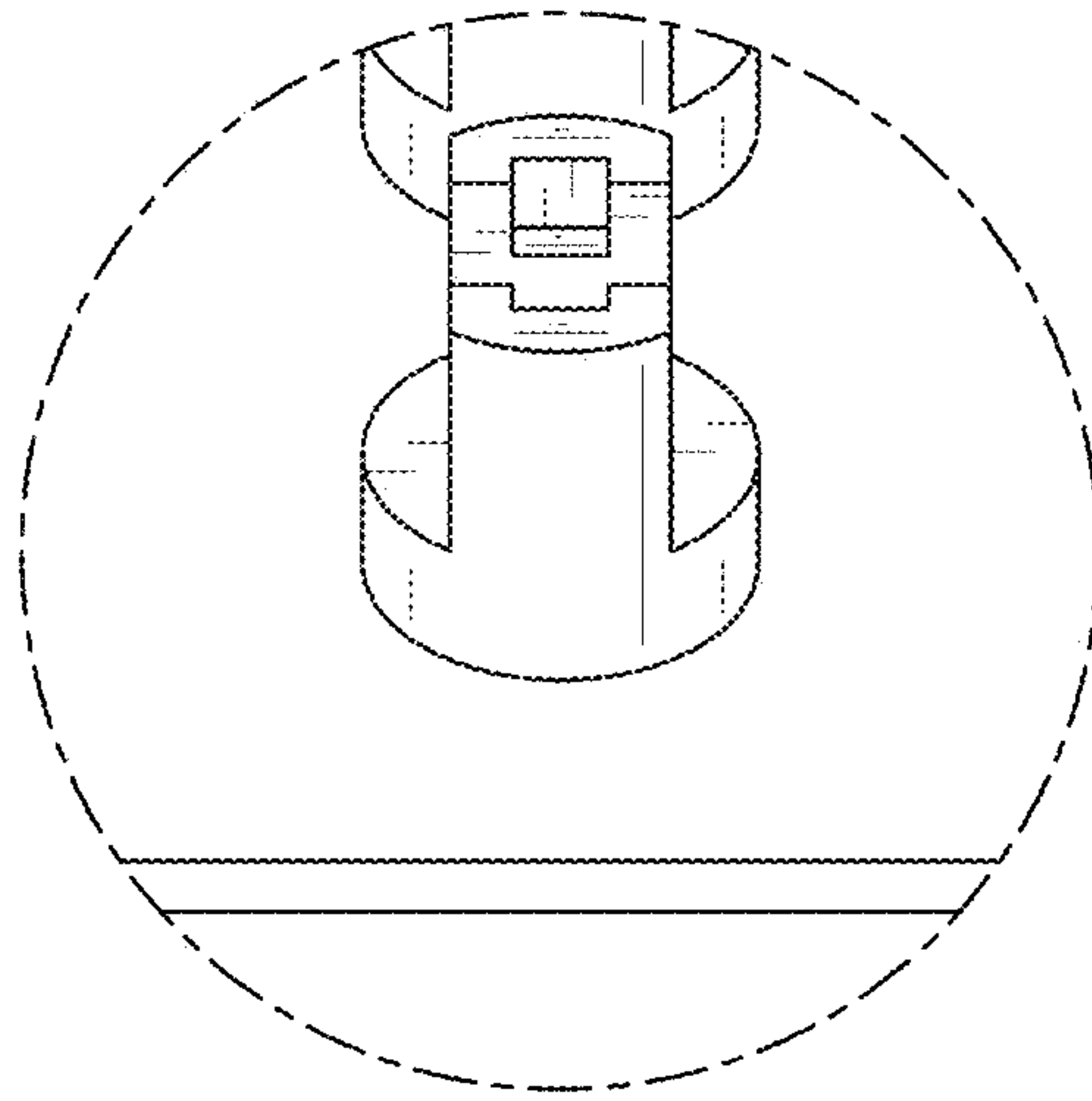


FIG. 3

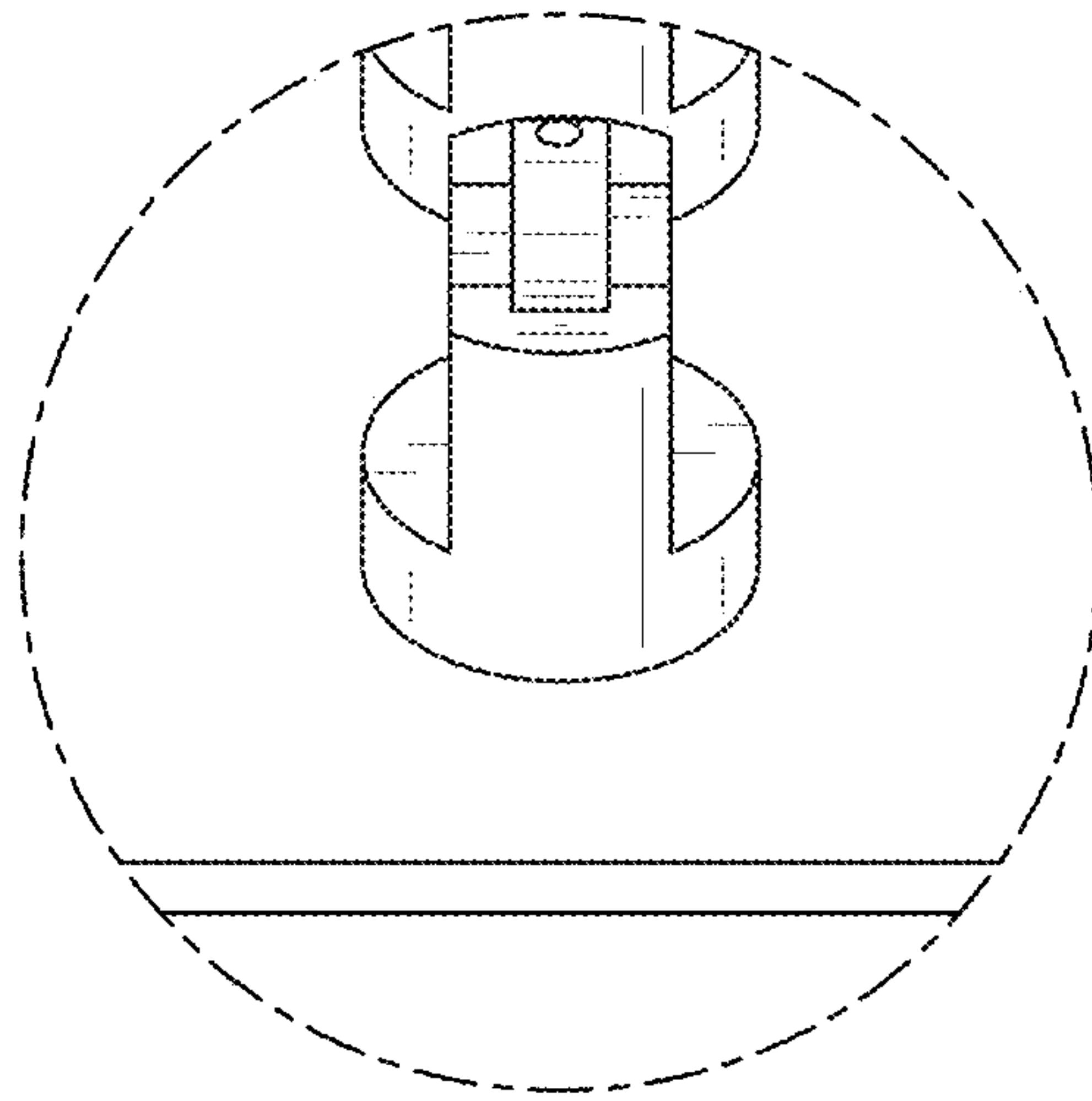


FIG. 4