



US00D925223S

(12) **United States Design Patent** (10) **Patent No.:** **US D925,223 S**
Liu (45) **Date of Patent:** **** Jul. 20, 2021**

(54) **FIRE-PROOF STORAGE BOX**

OTHER PUBLICATIONS

- (71) Applicant: **Shenzhen Yihuaxing Technology Co., Ltd.**, Shenzhen (CN)
- (72) Inventor: **Yuming Liu**, Lianyuan (CN)
- (**) Term: **15 Years**
- (21) Appl. No.: **29/761,009**
- (22) Filed: **Dec. 6, 2020**
- (51) **LOC (13) Cl.** **03-01**
- (52) **U.S. Cl.**
USPC **D3/290; D3/283; D3/902**
- (58) **Field of Classification Search**
USPC **D3/273, 276, 283, 290, 902**
CPC **A62C 3/00; A45C 7/0036; A45C 13/008**
See application file for complete search history.

Amazon, "DocSafe Fireproof Document Box File Box . . . ", First on sale Dec. 3, 2020. (<https://www.amazon.com/DocSafe-Fireproof-Document-Organizer-Collapsible/dp/B08PKRHLCF/>) (Year: 2020).*

Amazon, "File Box, File Storage box, Tamfile Fireproof File Folder Box . . . ", First on sale Apr. 15, 2021. (<https://www.amazon.com/dp/B092M9SNQ7/>) (Year: 2021).*

Amazon, "Fireproof Document Bag—X Large . . . ", First on sale Jul. 16, 2019. (<https://www.amazon.com/Fireproof-Document-Bags-Resistant-Fiberglass/dp/B07VFD4GRK/>) (Year: 2019).*

* cited by examiner

Primary Examiner — April Rivas

(57) **CLAIM**

The ornamental design for a fire-proof storage box, as shown and described.

(56) **References Cited**

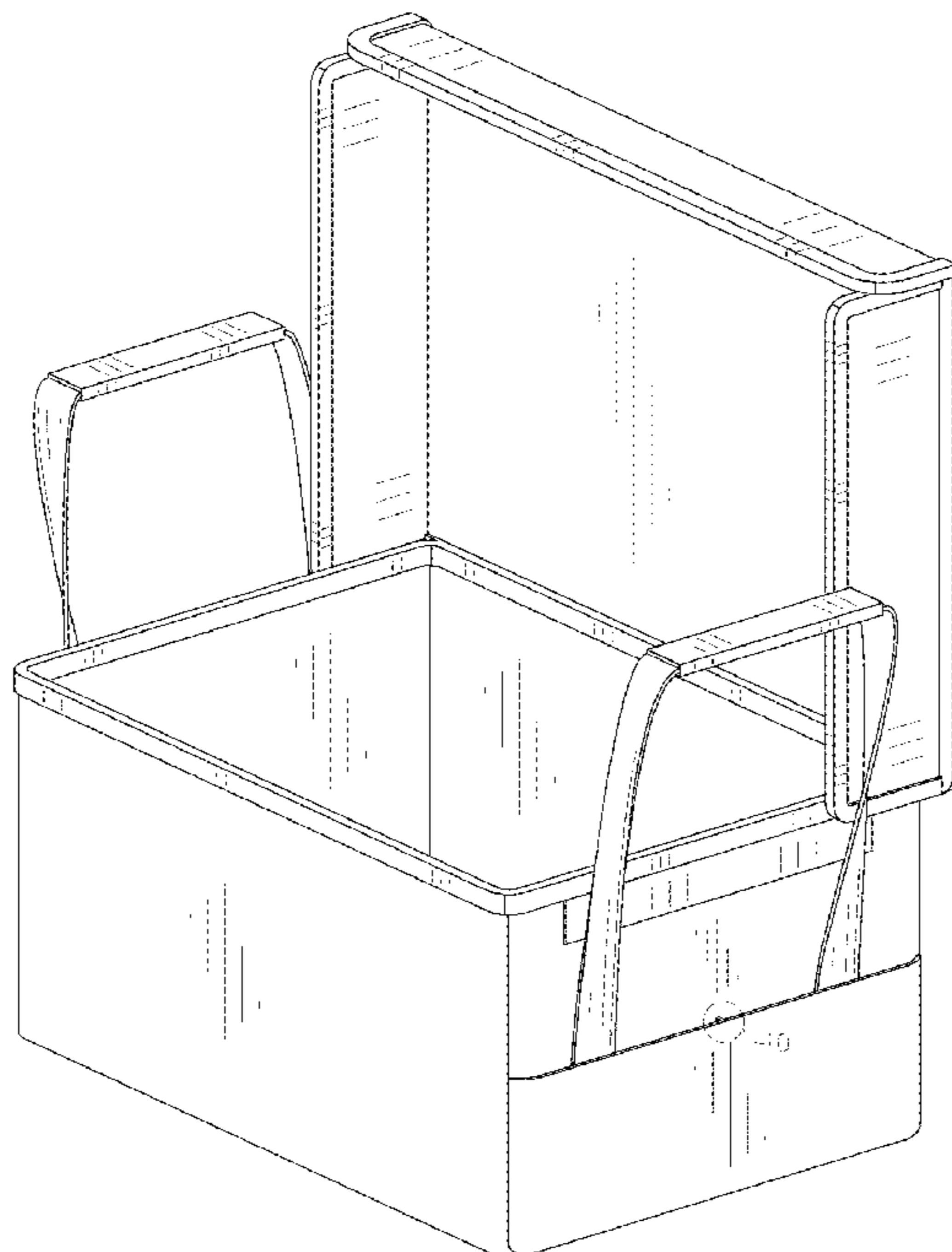
DESCRIPTION

U.S. PATENT DOCUMENTS

5,056,603	A *	10/1991	Parkinson	A62C 3/00 169/48
D417,076	S *	11/1999	Buban, Jr.	D3/276
D432,871	S *	10/2000	Nottingham	D3/276
D437,483	S *	2/2001	Bisbal	D3/276
D444,948	S *	7/2001	Buchanan	D3/276
D456,135	S *	4/2002	Shapiro	D3/276
D490,242	S *	5/2004	Hassett	D3/267
D502,597	S *	3/2005	Eastman	D3/273
D577,196	S	9/2008	Hayden		
D582,676	A *	12/2008	Rothschild	D3/276
D671,742	S	12/2012	Cenzano et al.		
D758,075	S *	6/2016	Quarry	D3/276
D869,846	S *	12/2019	Liu	D3/301
D872,477	S	1/2020	Perella et al.		
D899,090	S *	10/2020	Zhang	D3/299
D917,167	S *	4/2021	Fenech	D3/290

FIG. 1 is a first perspective view of a fire-proof storage box showing my new design;
 FIG. 2 is a front view thereof;
 FIG. 3 is a back view thereof;
 FIG. 4 is a left side view thereof;
 FIG. 5 is a right side view thereof;
 FIG. 6 is a top view thereof;
 FIG. 7 is a bottom view thereof;
 FIG. 8 is a perspective view of the fire-proof storage box in a closed configuration thereof;
 FIG. 9 is a perspective view of the fire-proof storage box in a collapsed configuration thereof; and,
 FIG. 10 is an enlarged view of the selected portion in FIG. 1.

1 Claim, 10 Drawing Sheets



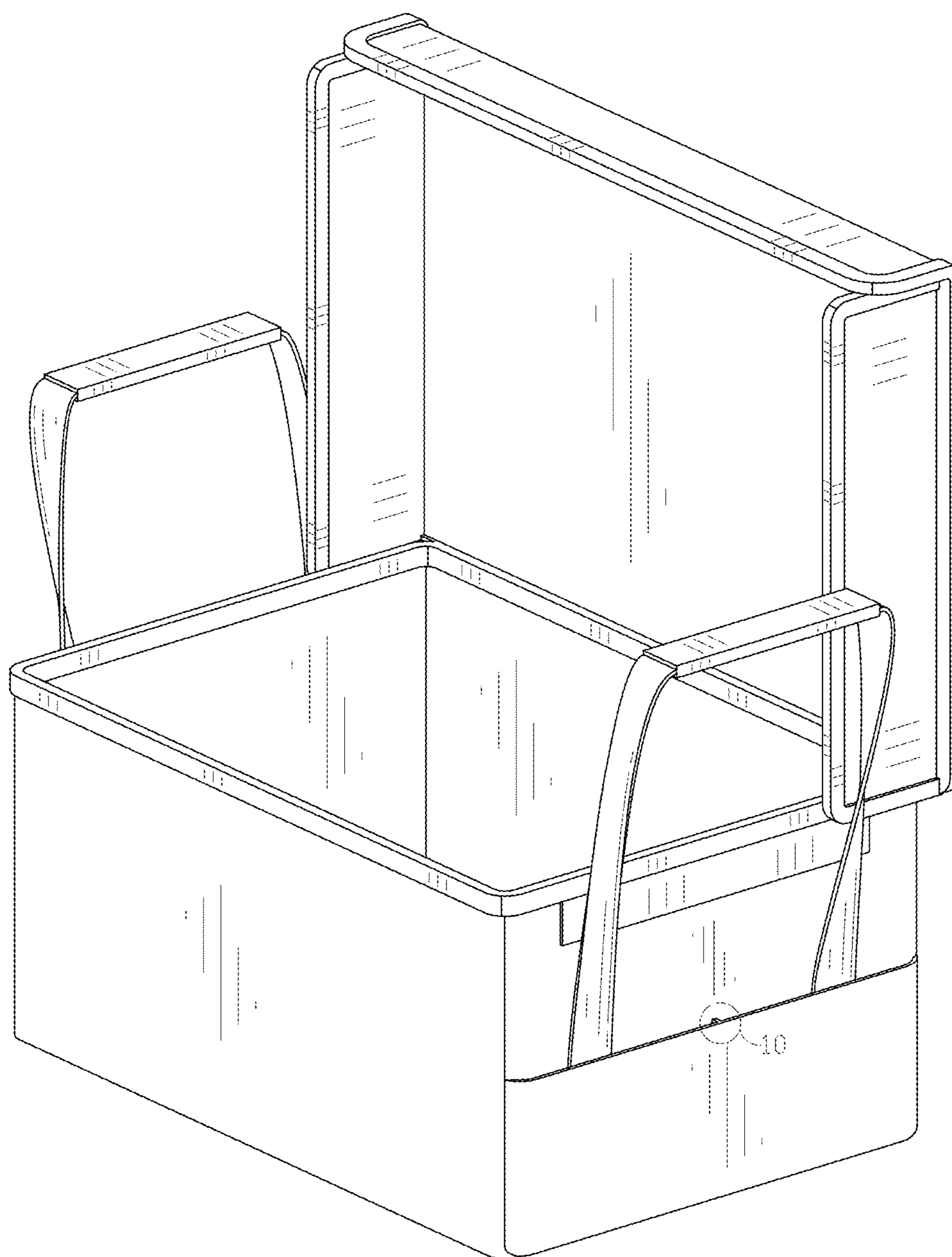


FIG. 1

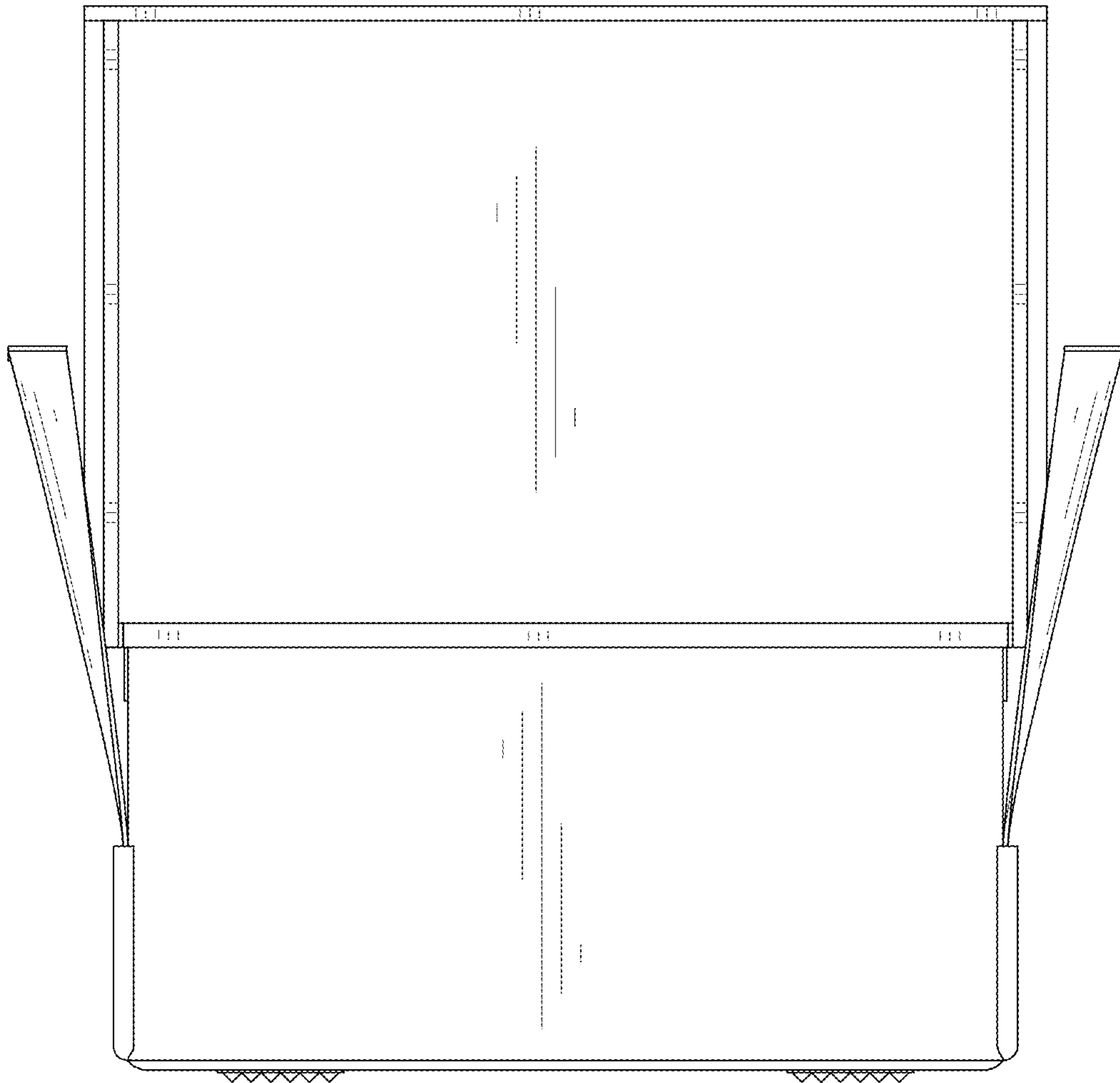


FIG. 2

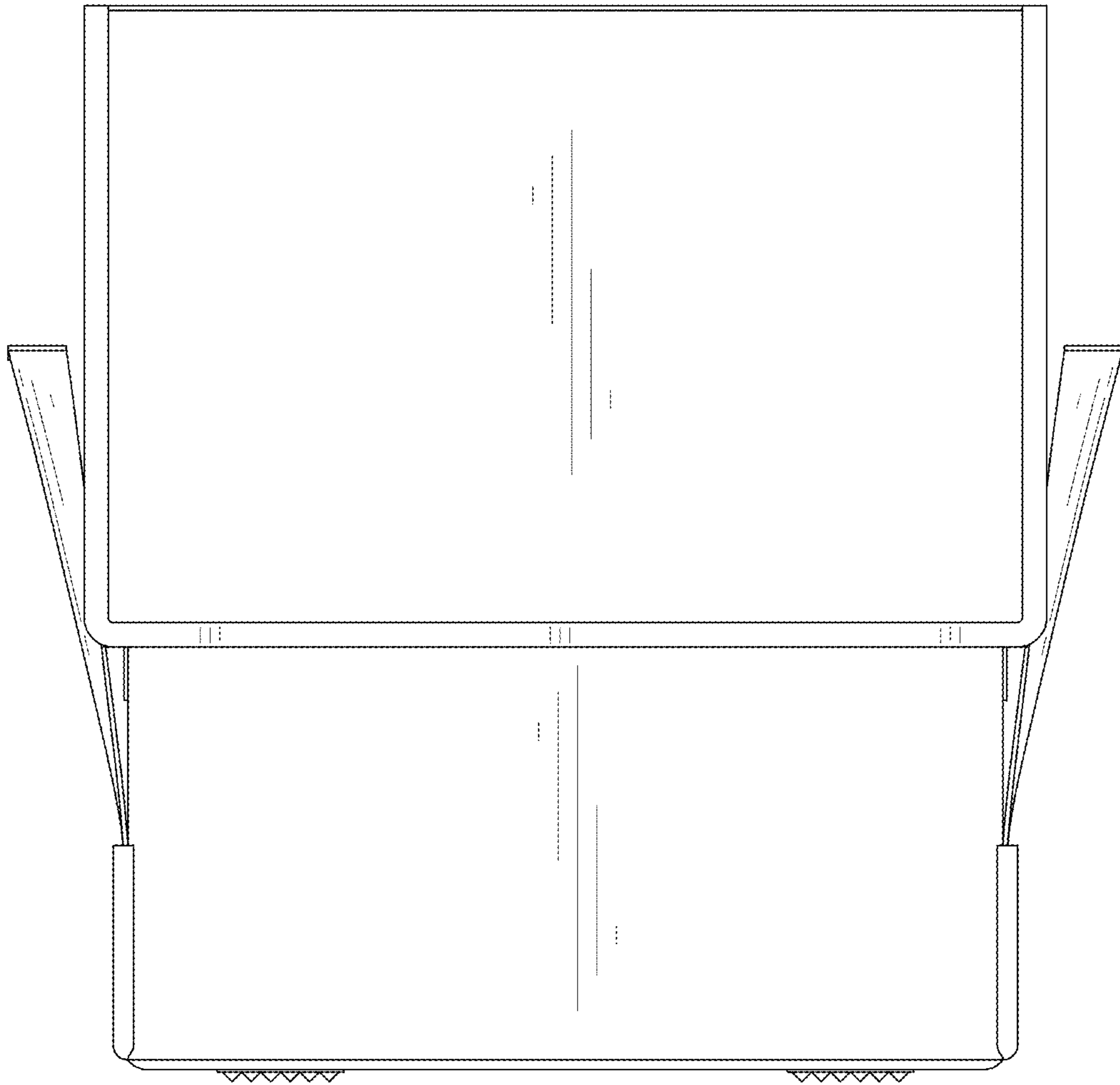


FIG. 3

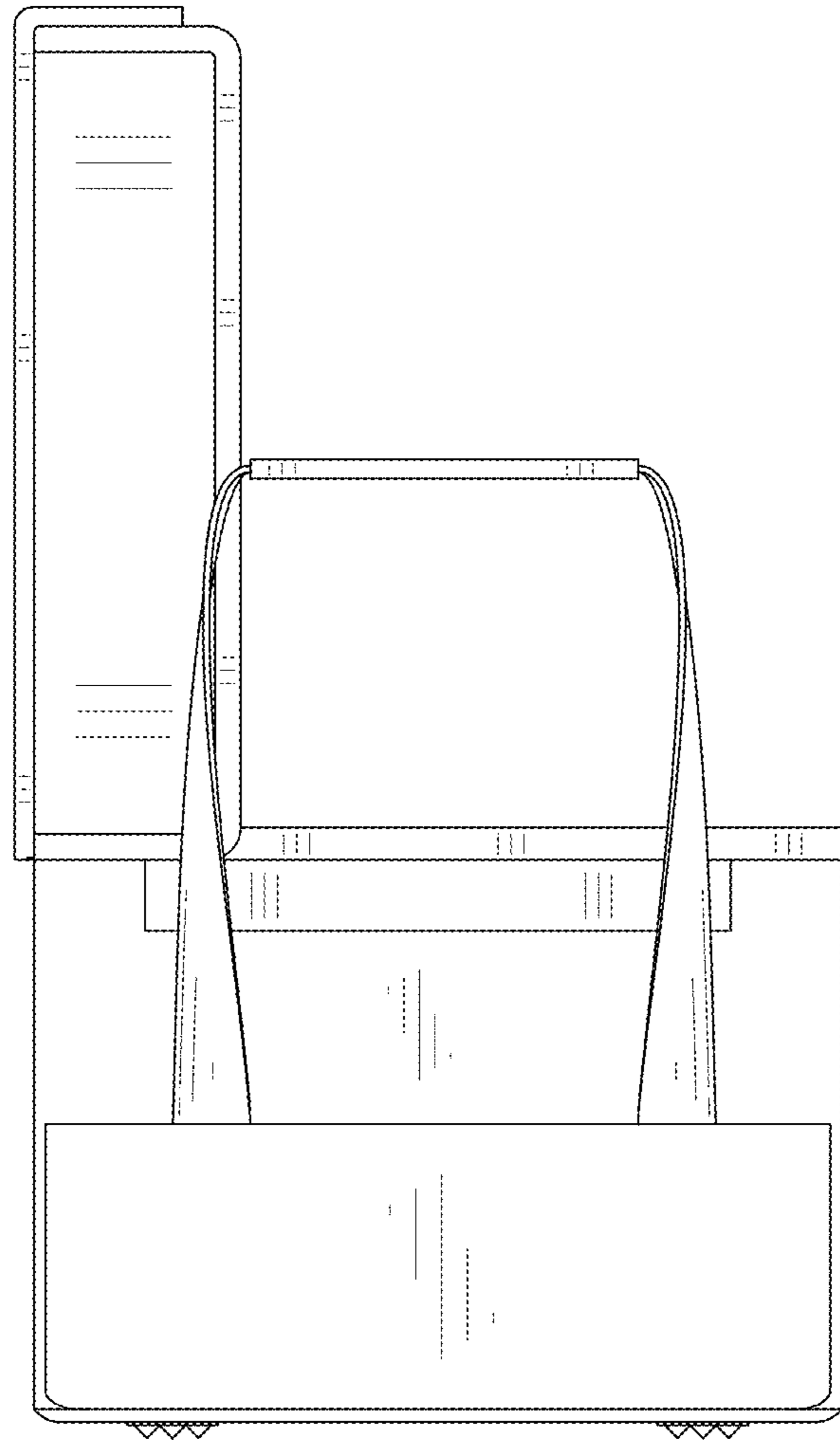


FIG. 4

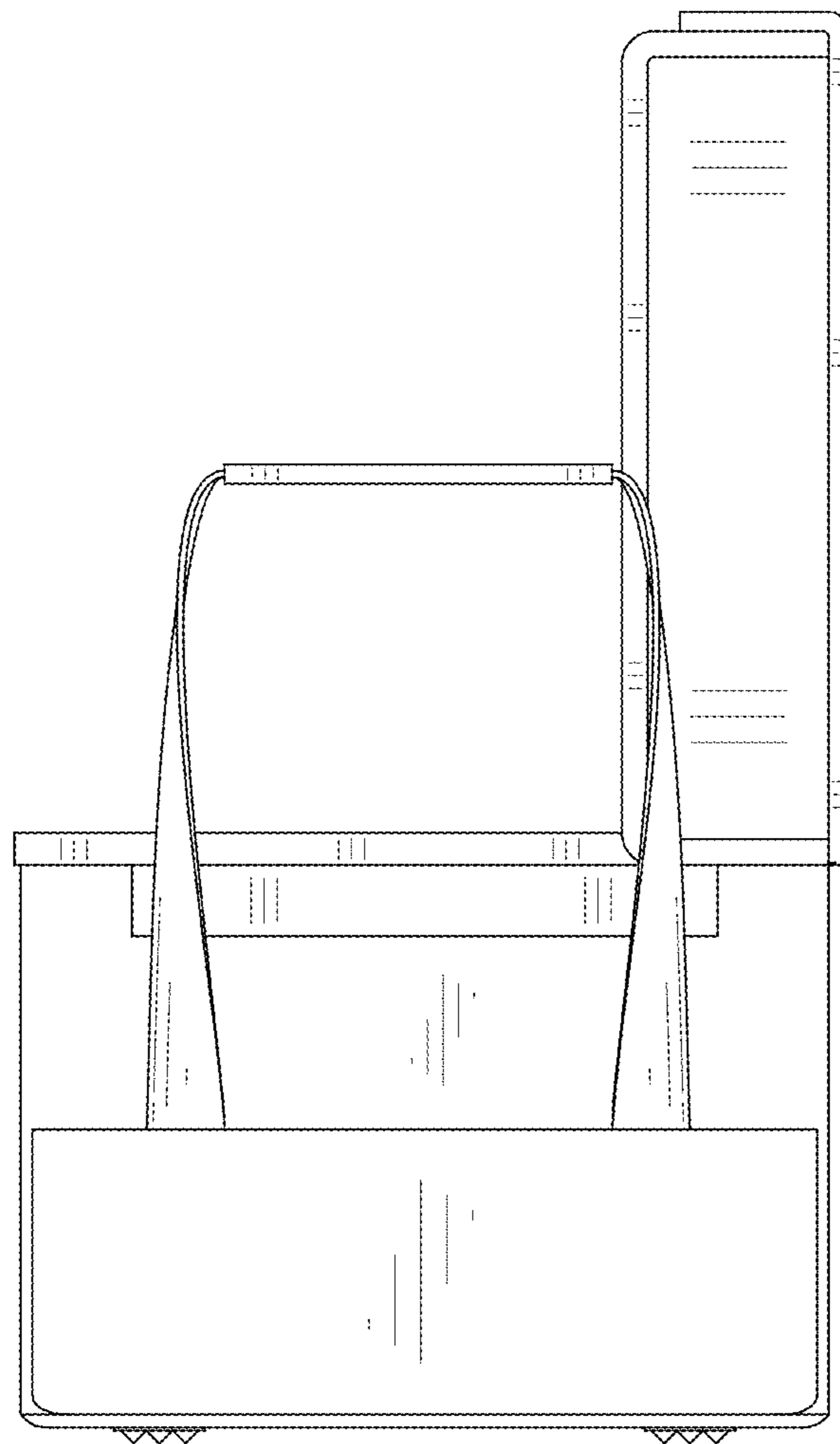


FIG. 5

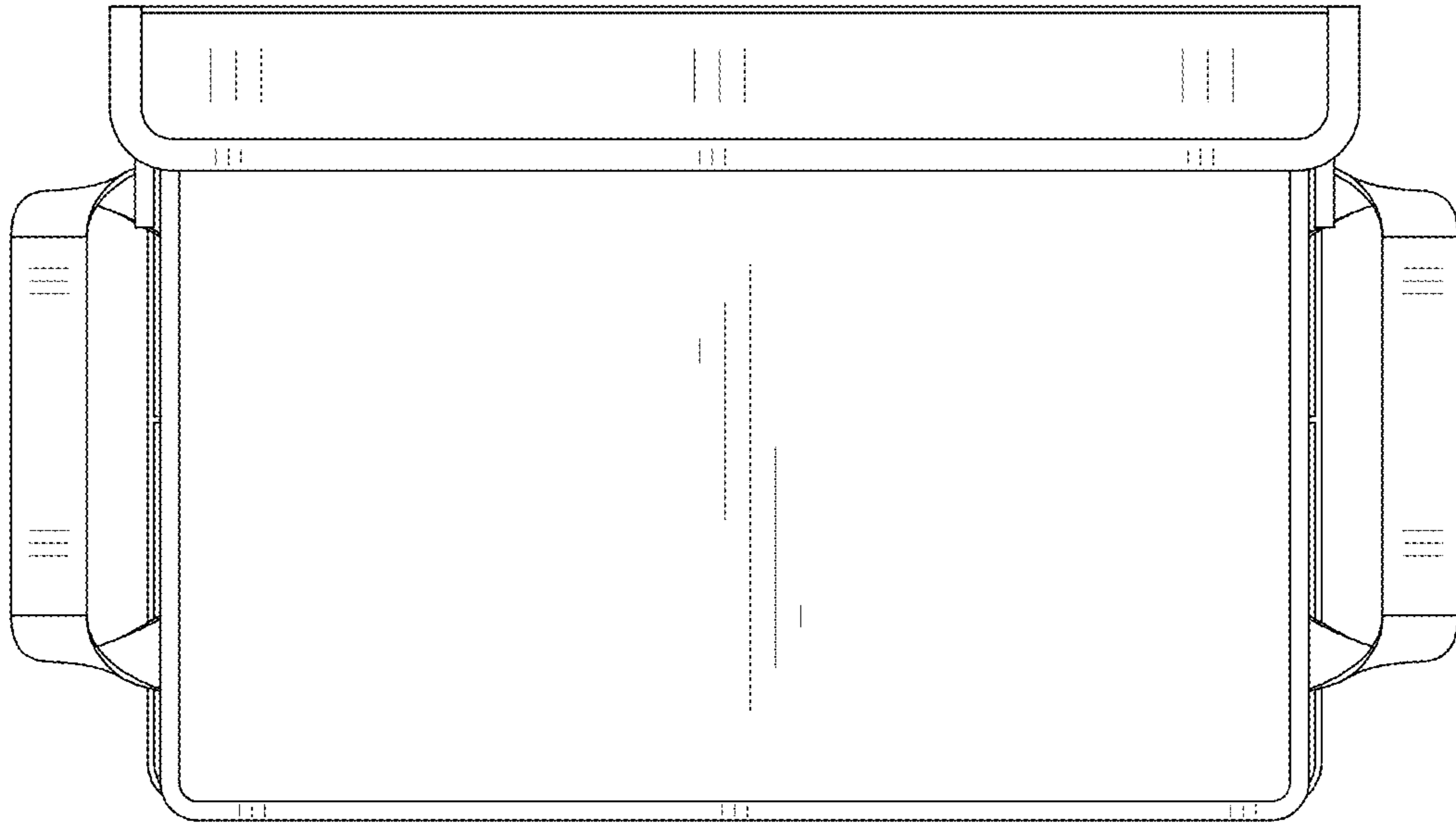


FIG. 6

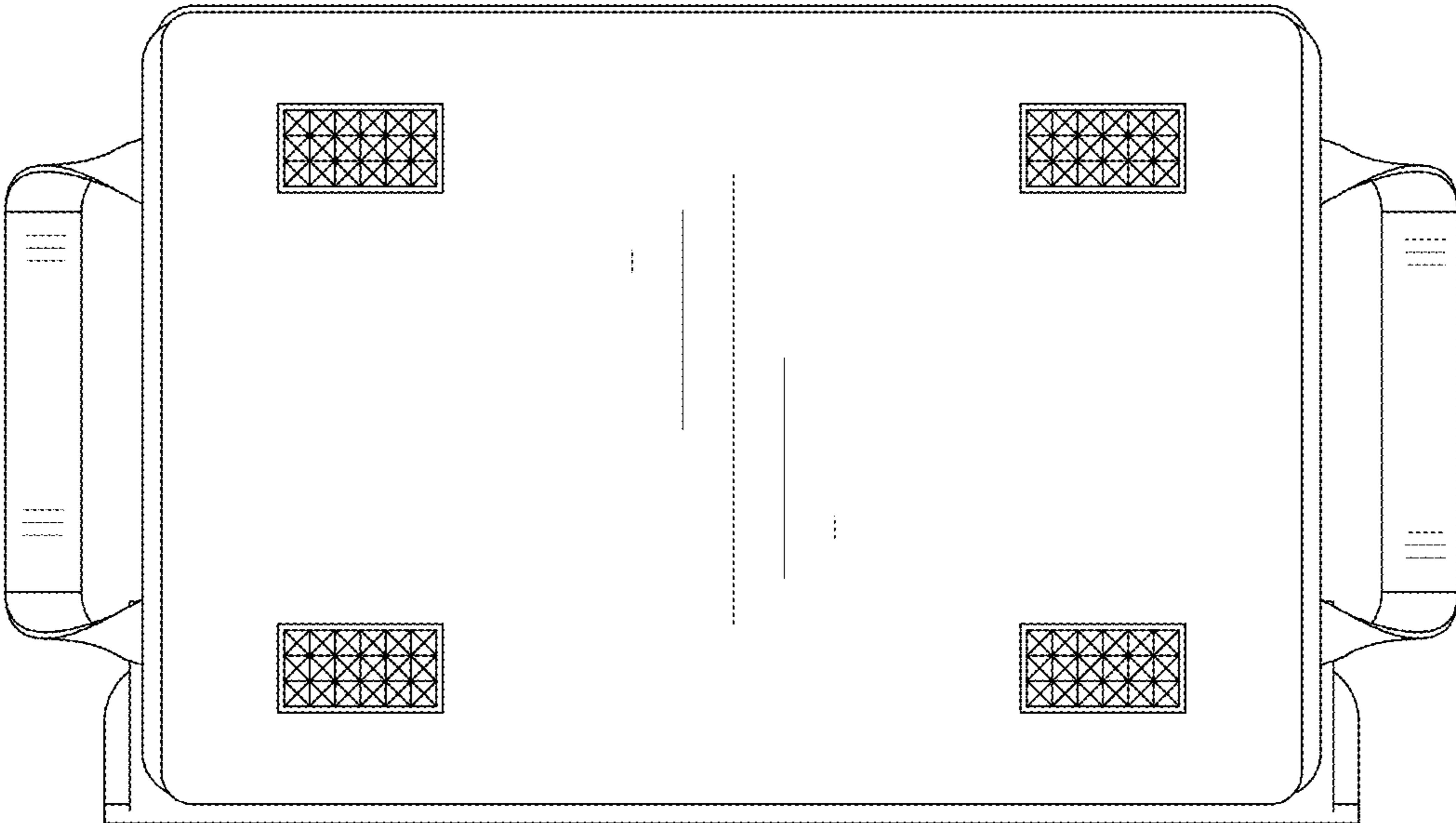


FIG. 7

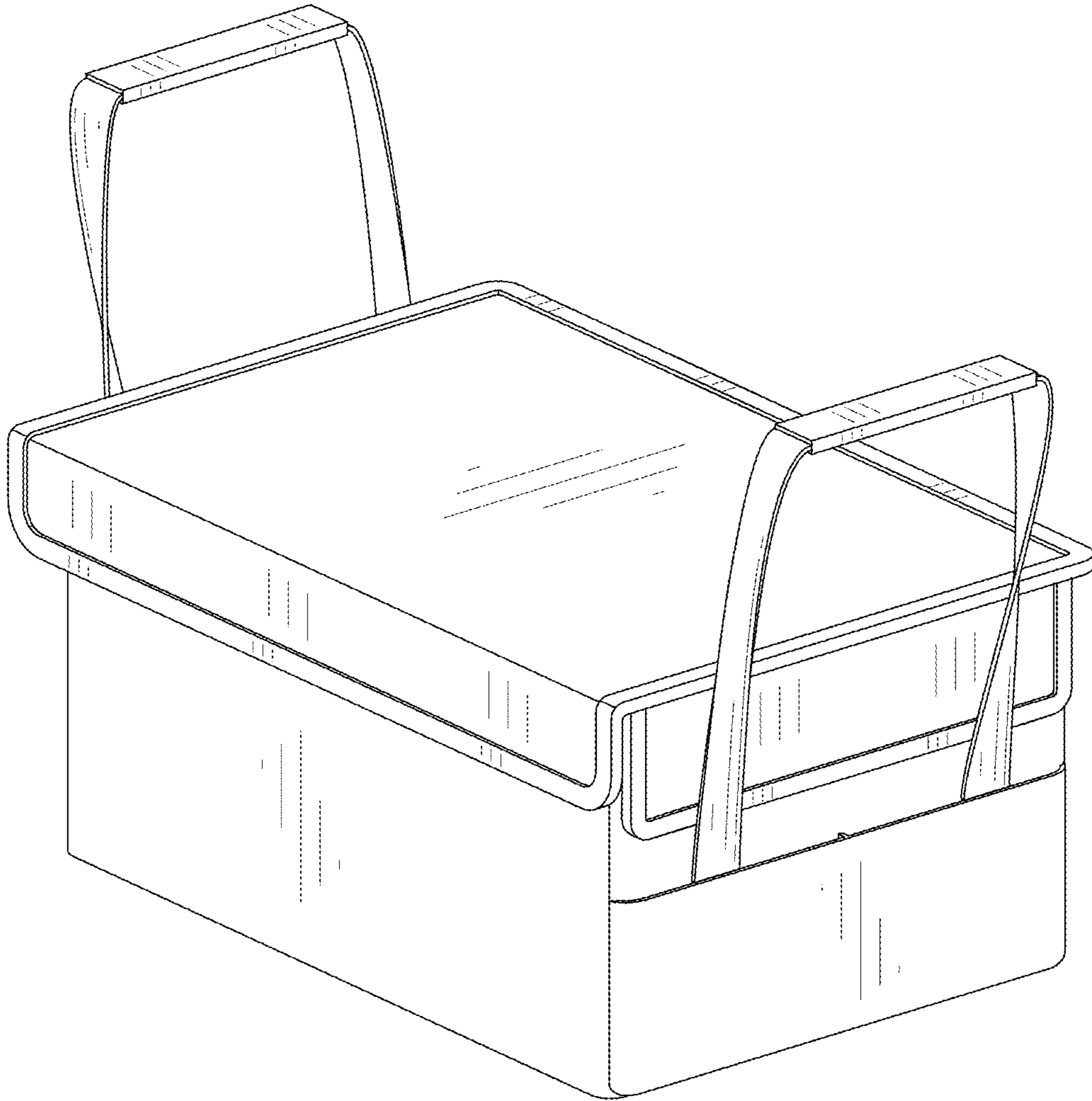


FIG. 8

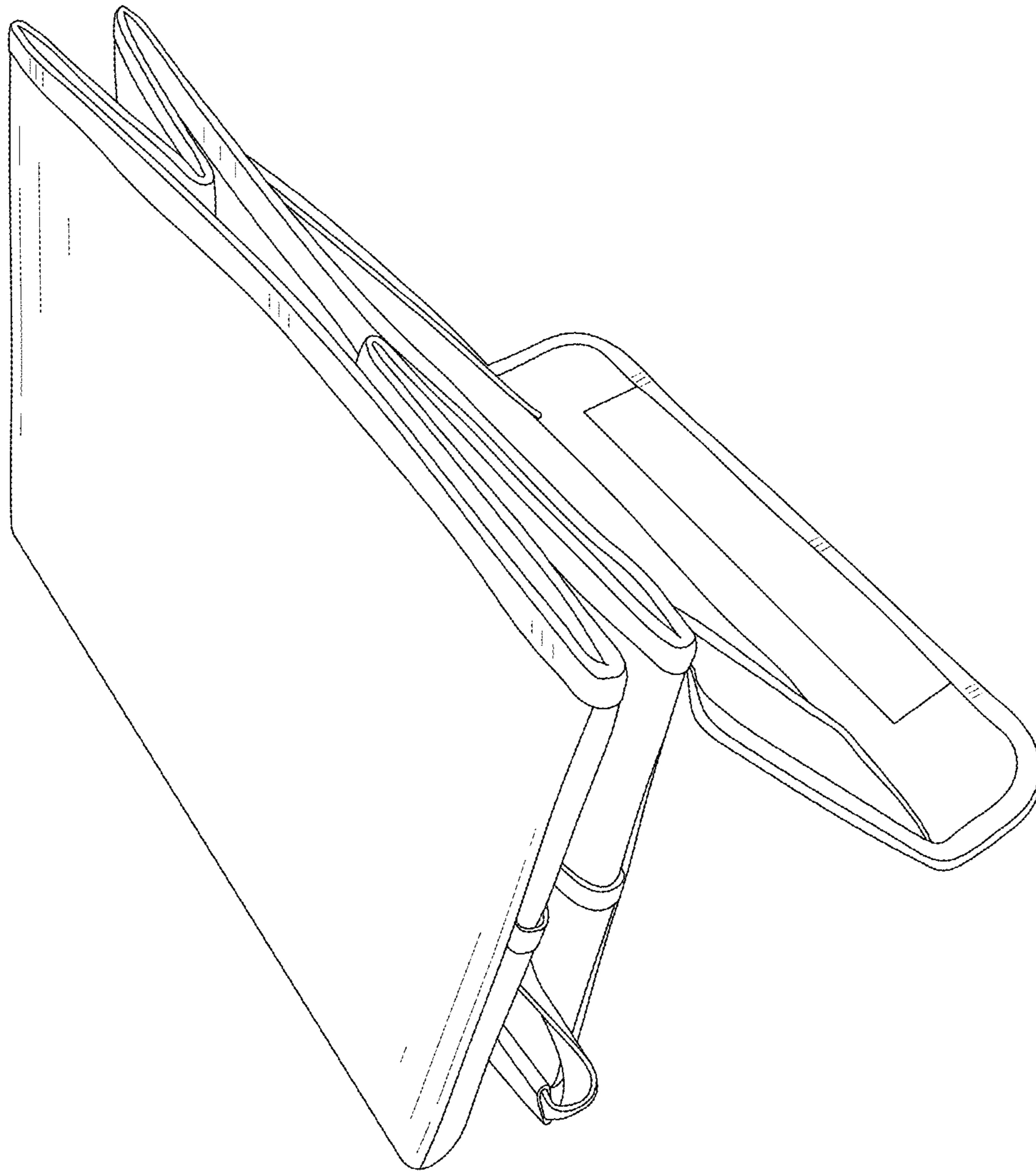


FIG. 9

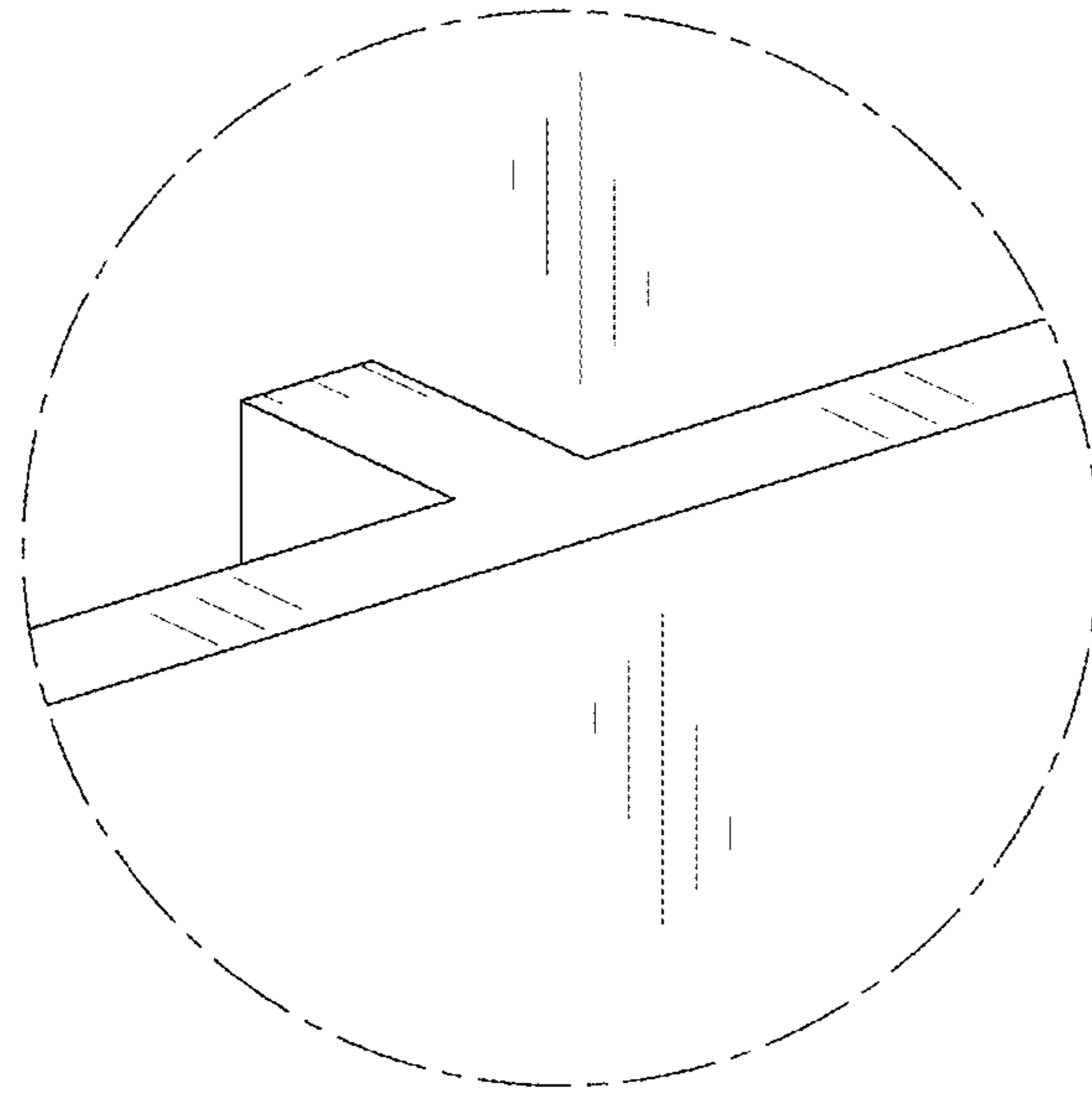


FIG. 10