



US00D925221S

(12) **United States Design Patent** (10) **Patent No.:** **US D925,221 S**
Eskridge (45) **Date of Patent:** **** *Jul. 20, 2021**

- (54) **CONTAINER**
- (71) Applicant: **BLACK & DECKER INC.**, New Britain, CT (US)
- (72) Inventor: **Evan G. Eskridge**, Baltimore, MD (US)
- (73) Assignee: **BLACK & DECKER INC.**, New Britain, CT (US)
- (*) Notice: This patent is subject to a terminal disclaimer.
- (**) Term: **15 Years**
- (21) Appl. No.: **29/675,897**
- (22) Filed: **Jan. 7, 2019**
- (51) **LOC (13) Cl.** **03-01**
- (52) **U.S. Cl.**
USPC **D3/282; D3/302**
- (58) **Field of Classification Search**
USPC D3/272, 273, 276, 279, 282, 284, 291, D3/294, 302, 900, 905, 903
CPC B25H 3/02
See application file for complete search history.

D719,731 S *	12/2014	Burgess	D3/299
D738,623 S *	9/2015	Wood	D3/302
D846,875 S *	4/2019	Nelson	D3/282
D879,471 S *	3/2020	Nelson	D3/282

OTHER PUBLICATIONS

Lowe's, "CRAFTSMAN 20-Gallon (80-Quart) Black Tote with Latching Lid", First reviewed on Jul. 1, 2019. (<https://www.lowes.com/pd/CRAFTSMAN-20-Gallon-80-Quart-Black-Tote-with-Latching-Lid/1000976072>) (Year: 2019).*

Home Depot, "20-Gal. Professional Duty Waterproof Storage Container with Hinged Lid in Red", First reviewed Dec. 30, 2019. (<https://www.homedepot.com/p/Husky-20-Gal-Professional-Duty-Waterproof-Storage-Container-with-Hinged-Lid-in-Red-246842/311485319>) (Year: 2019).*

* cited by examiner

Primary Examiner — April Rivas
(74) *Attorney, Agent, or Firm* — Adan Ayala

(57) **CLAIM**

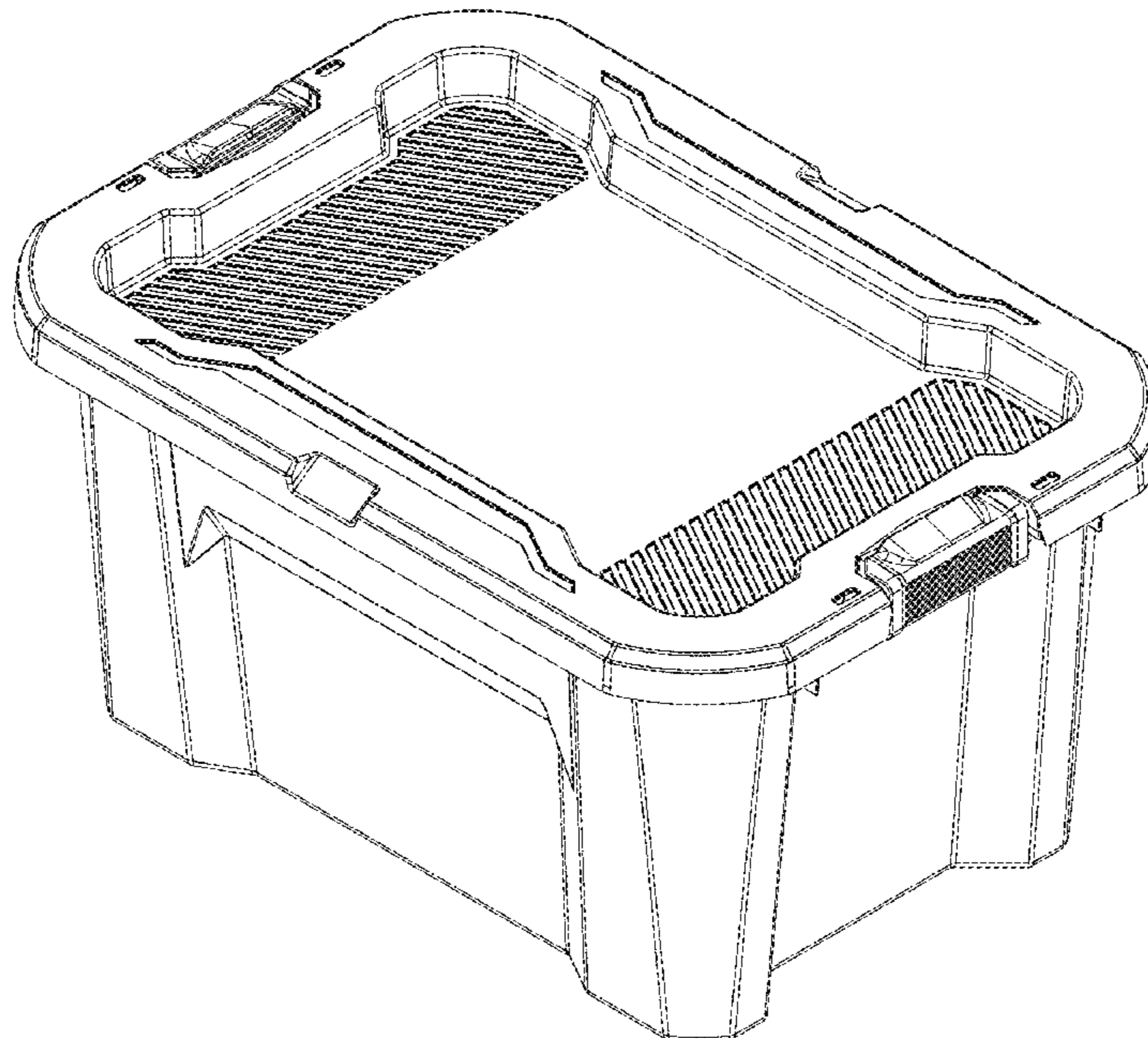
The ornamental design for a container, as shown and described.

DESCRIPTION

FIG. 1 is a front perspective view of a container according to the invention.
 FIG. 2 is a front view of the container of FIG. 1.
 FIG. 3 is a rear view of the container of FIG. 1.
 FIG. 4 is a right side view of the container of FIG. 1.
 FIG. 5 is a left side view of the container of FIG. 1.
 FIG. 6 is a top plan view of the container of FIG. 1; and,
 FIG. 7 is a bottom plan view of the container of FIG. 1.
 The broken lines illustrate portions of the container and form no part of the claimed design.

1 Claim, 7 Drawing Sheets

- (56) **References Cited**
U.S. PATENT DOCUMENTS
- | | | | | |
|--------------|---------|-----------|-------|--------|
| D480,560 S * | 10/2003 | Tanji | | D3/273 |
| D480,872 S * | 10/2003 | Welsh | | D3/273 |
| D511,624 S * | 11/2005 | Rosine | | D3/273 |
| D513,870 S * | 1/2006 | Rosine | | D3/273 |
| D567,507 S * | 4/2008 | Zimmerman | | D3/302 |
| D645,248 S * | 9/2011 | Osiecki | | D3/276 |
| D650,174 S * | 12/2011 | Ahlstrom | | D3/302 |
| D653,450 S * | 2/2012 | Walter | | D3/302 |



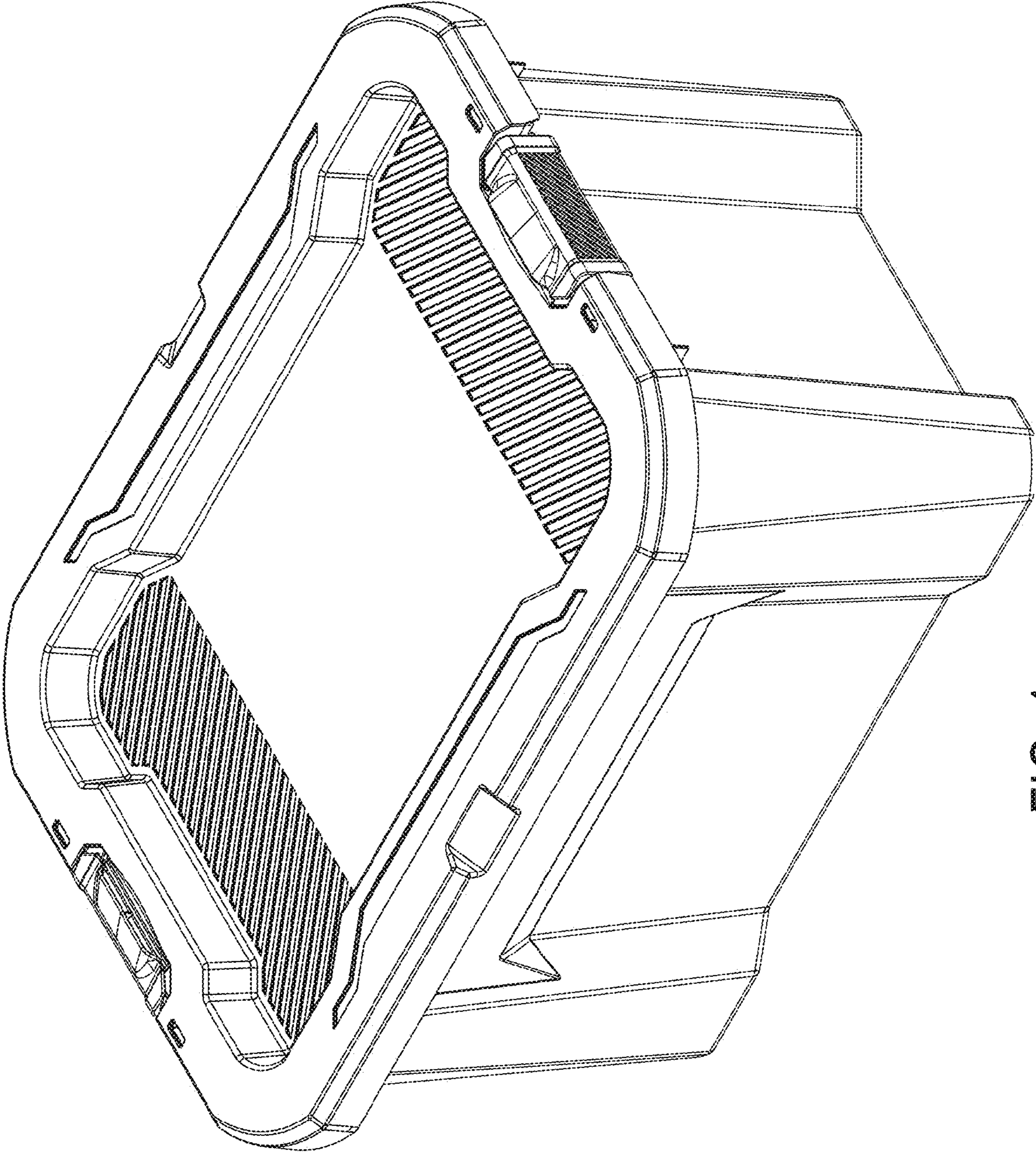


FIG. 1

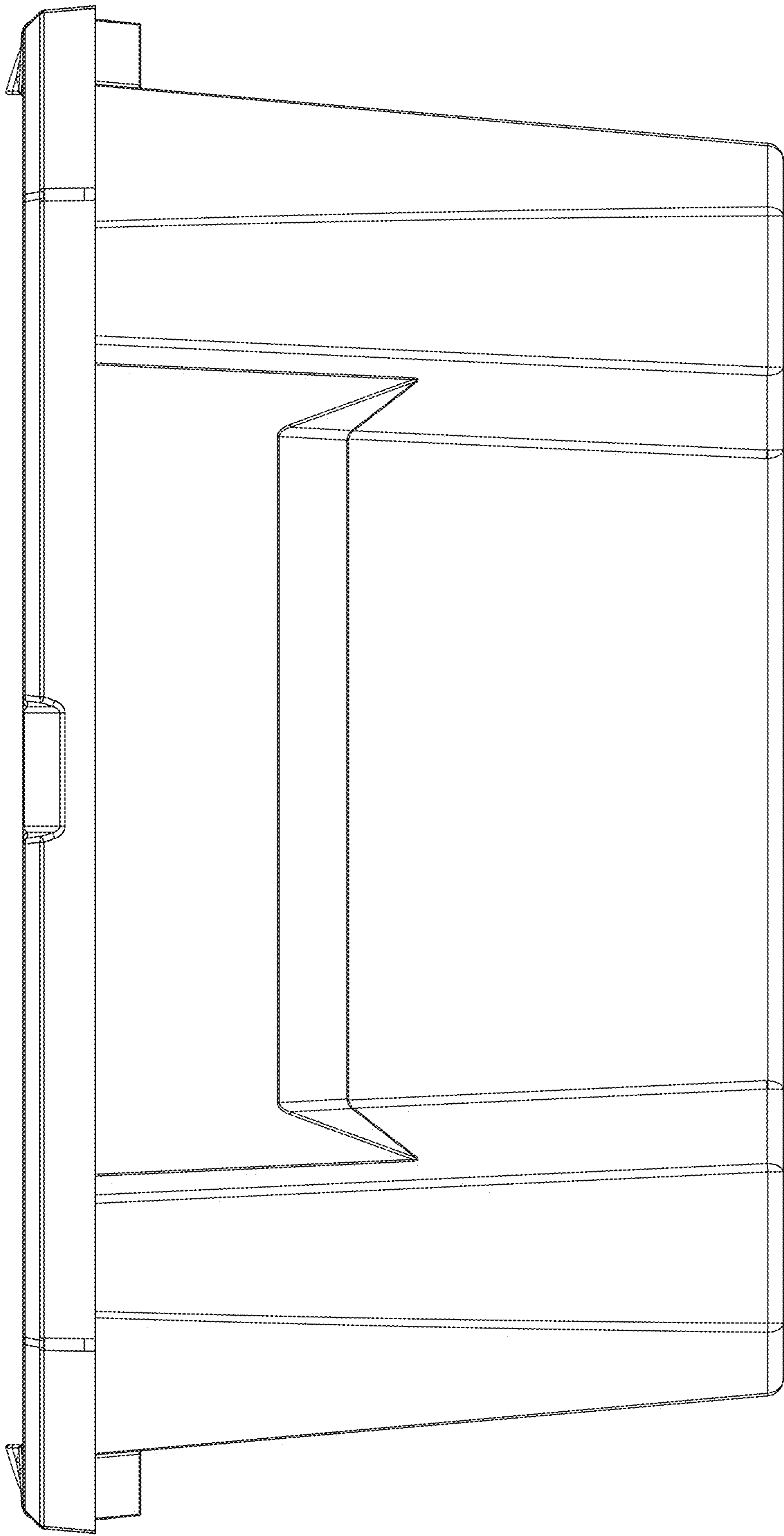


FIG. 2

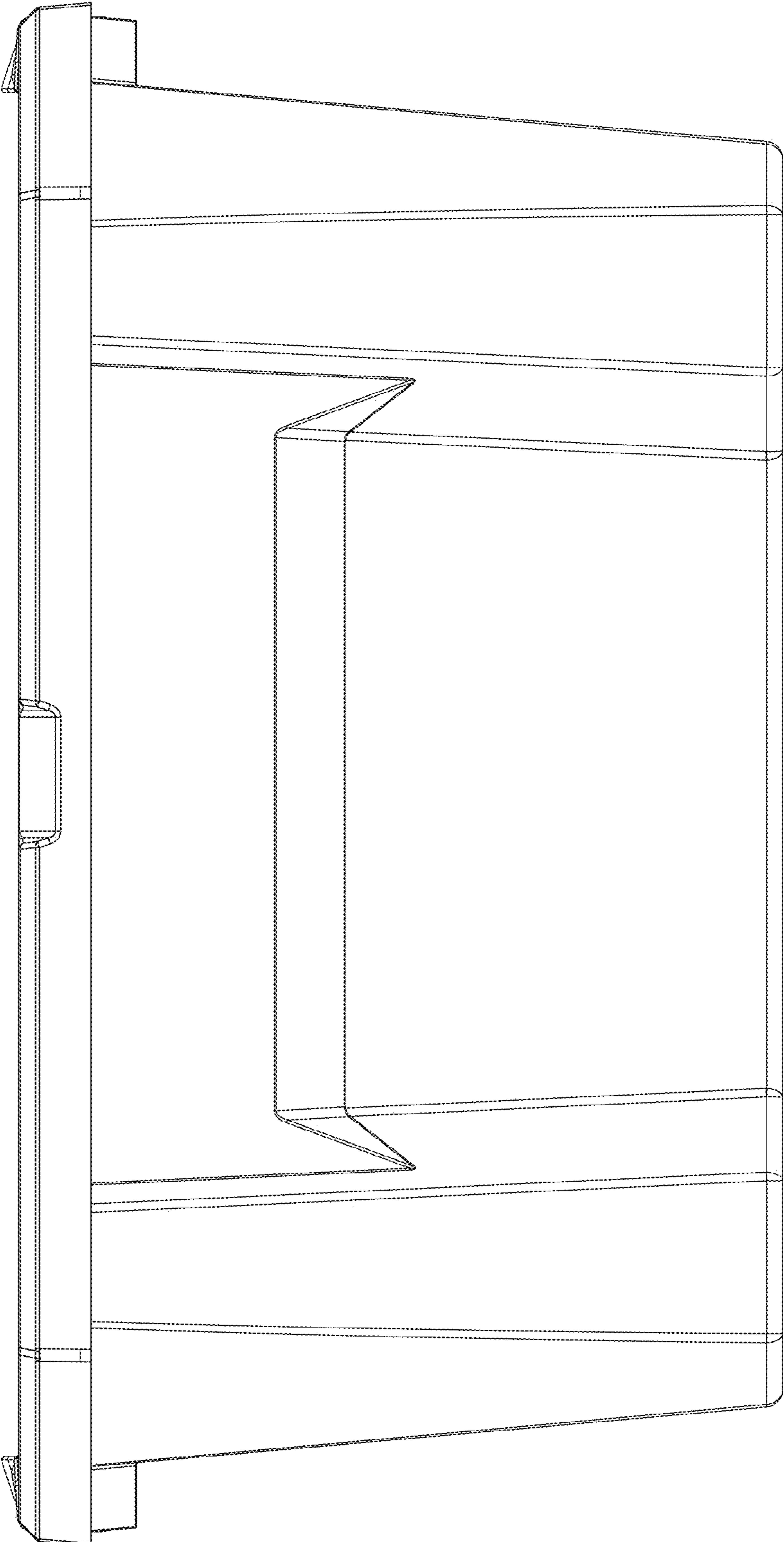


FIG. 3

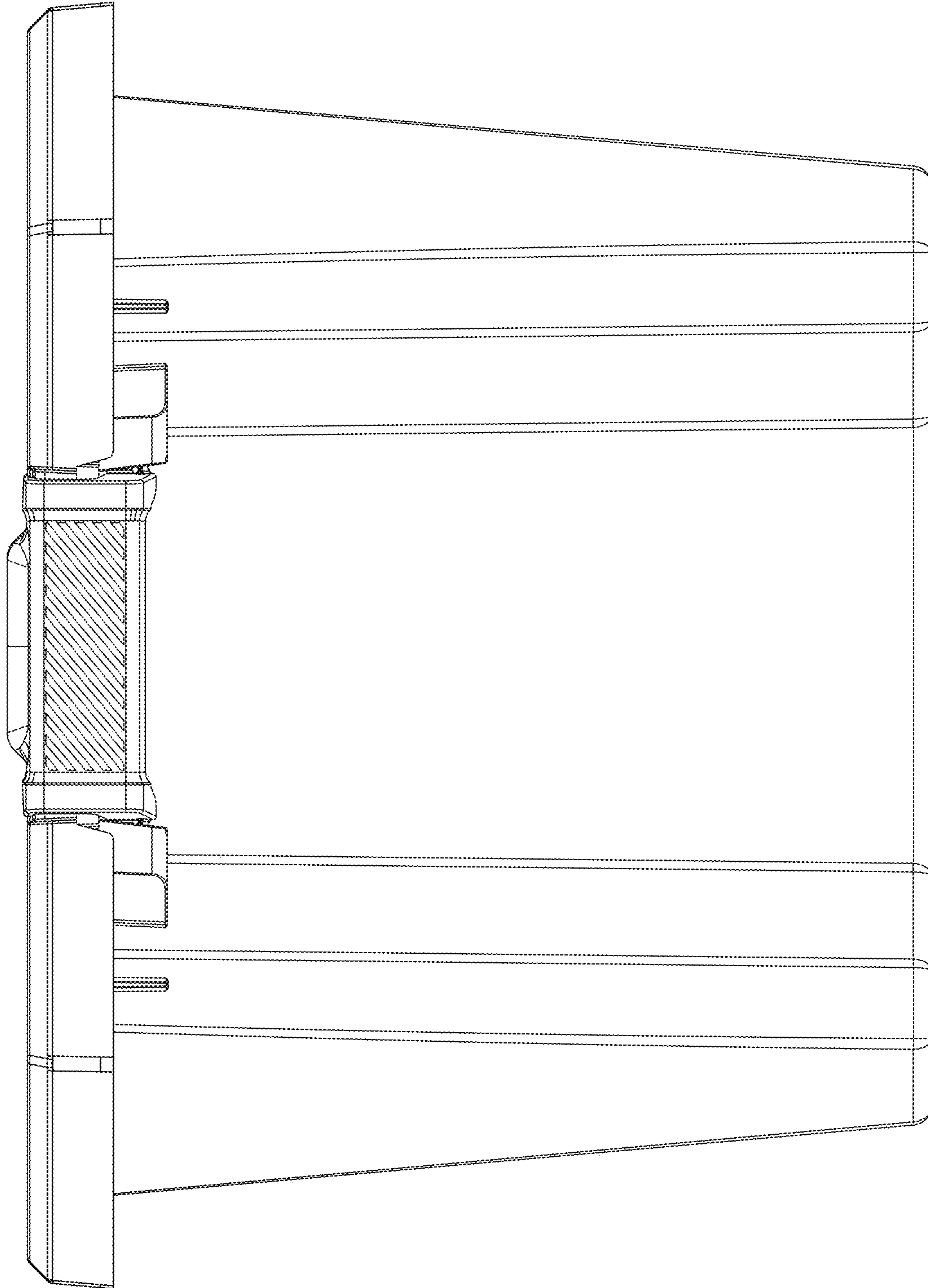


FIG. 4

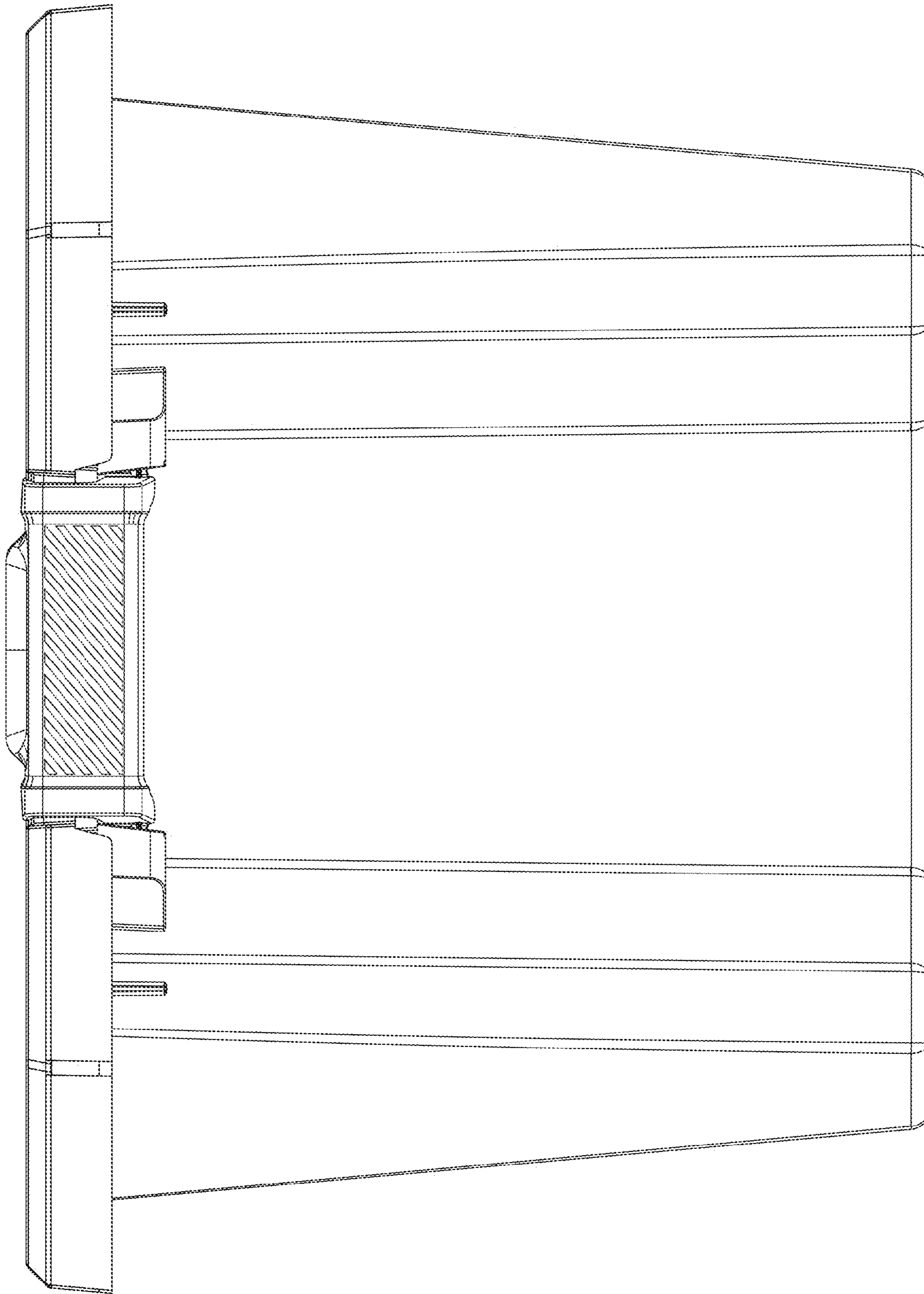


FIG. 5

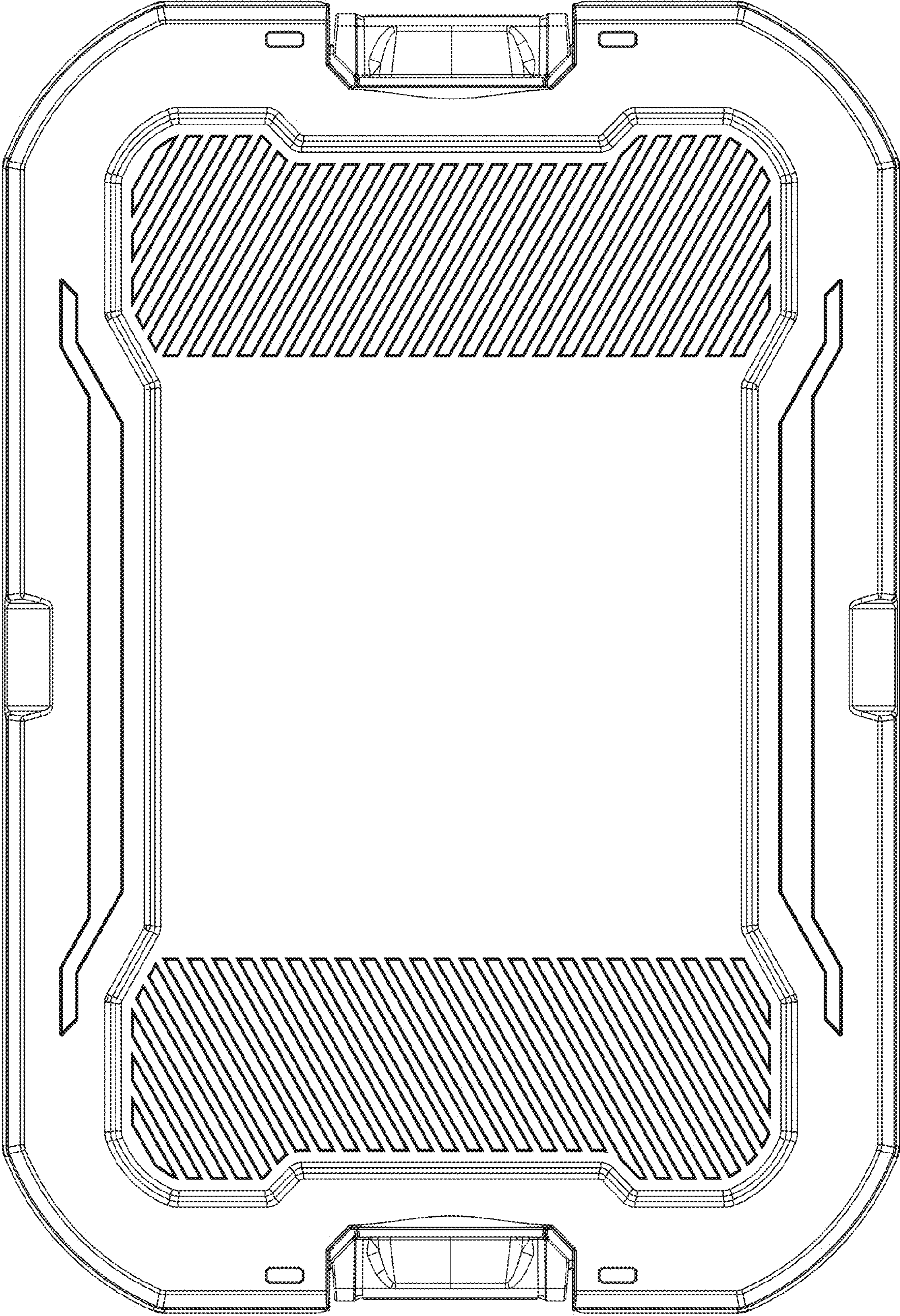


FIG. 6

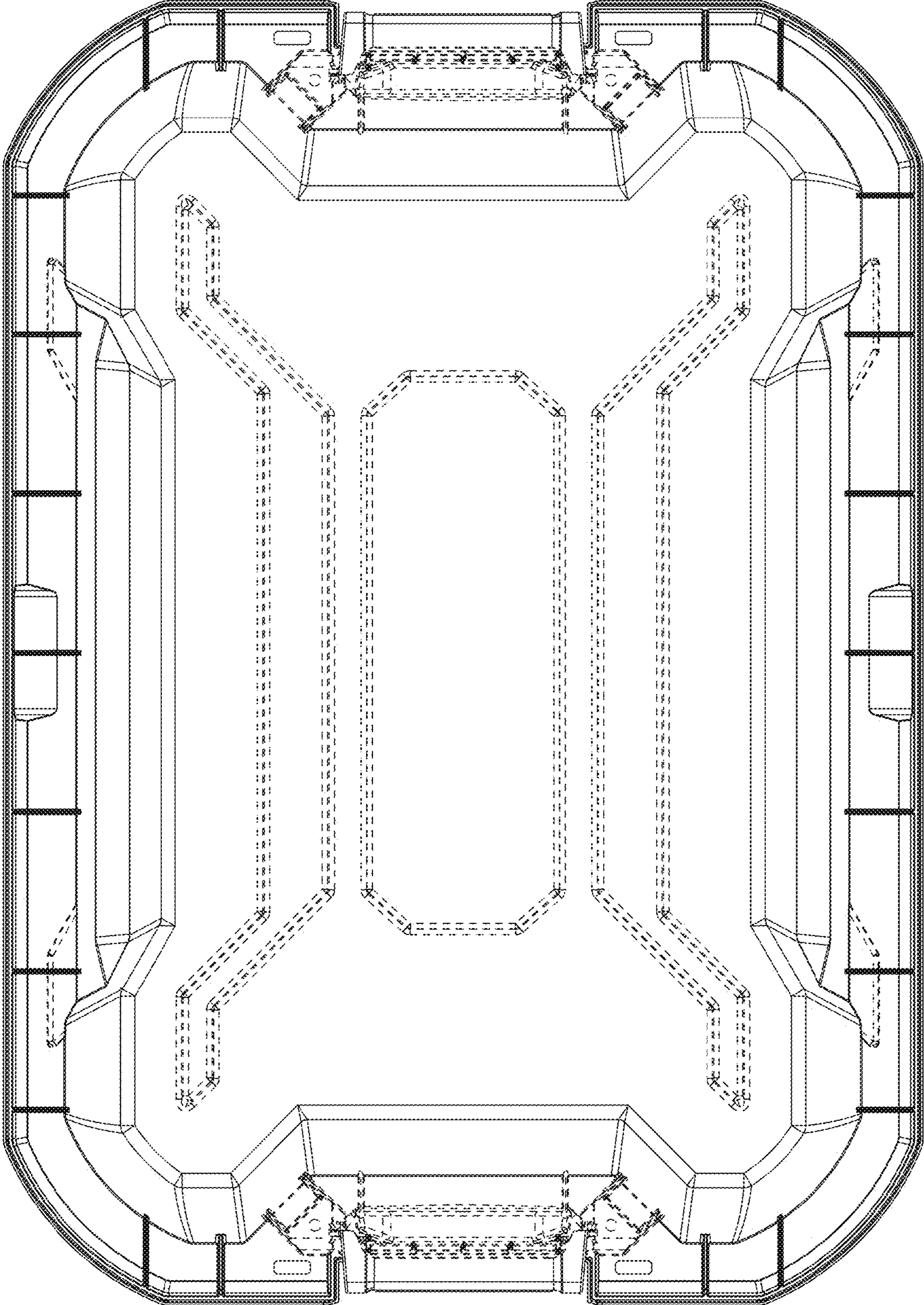


FIG. 7