



US00D925216S

(12) **United States Design Patent** (10) **Patent No.:** **US D925,216 S**
Wu (45) **Date of Patent:** **** Jul. 20, 2021**

(54) **HOLSTER**
(71) Applicant: **Shenzhen Tactop Industrial Co., Ltd.,**
ShenZhen (CN)
(72) Inventor: **Kaichang Wu, ShenZhen (CN)**
(**) Term: **15 Years**
(21) Appl. No.: **29/752,436**
(22) Filed: **Sep. 28, 2020**
(51) **LOC (13) Cl.** **03-01**
(52) **U.S. Cl.**
USPC **D3/222**
(58) **Field of Classification Search**
USPC D3/222-223, 224, 226, 228, 269;
224/163, 191-193, 197-198, 238,
224/243-244, 246, 252-253, 272, 291,
224/587, 665, 672-674, 682, 901.4,
224/911-912; 89/34; 42/106; 206/3
CPC A45F 3/14; A45F 5/00; A45F 5/021; A45F
5/022; A45F 2200/05; A45F 2005/05;
A45F 2200/025; A45F 2200/0591; F41C
33/02; F41C 33/06; F41C 33/0209; F41C
33/0236; F41C 33/041; F41C 33/045;
F41C 33/046; F41C 33/0227; F41C
33/0254; F41C 33/0263; F41C 33/0218
See application file for complete search history.

(56) **References Cited**

U.S. PATENT DOCUMENTS

7,290,688 B2 * 11/2007 Pikielny F41C 33/0209
224/163
D601,339 S * 10/2009 Zusman D3/222
D603,159 S * 11/2009 Zusman D3/222
8,631,981 B2 * 1/2014 Zusman F41C 33/0263
224/244
D740,021 S * 10/2015 Faifer D3/222
D776,424 S * 1/2017 Faifer D3/222
D838,102 S 1/2019 Sereday et al.
D838,474 S * 1/2019 Tang D3/222
D841,320 S * 2/2019 Tang D3/222

D874,131 S * 2/2020 Zhang D3/222
2005/0127121 A1 * 6/2005 Wells F41C 33/0209
224/193
2005/0268518 A1 * 12/2005 Pikielny F41C 33/0236
42/90
2011/0101063 A1 * 5/2011 Zusman F41C 33/0254
224/682
2015/0247701 A1 * 9/2015 Faifer F41C 33/02
224/244
2019/0316876 A1 * 10/2019 Zhang F41C 33/045

FOREIGN PATENT DOCUMENTS

CA 2779960 * 5/2011 F41C 33/02

OTHER PUBLICATIONS

TEGE Right/Left Handed Holster for Glock 17 19 19X 22 23 31 32
45 Gen 1-5 Ambidextrous Tactical Polymer Outside Waistband
Open Carry Belt Holster with 360 degree Adjustable Carry Holster
for Glock17 Gen 1-5 Tactical Handgun Polymer 1999-2021. [https://
www.alibaba.com/trade/search?fsb=y&IndexArea=product_en&CatId=
&SearchText=360auto-adjusting-holster+concealed+.*](https://www.alibaba.com/trade/search?fsb=y&IndexArea=product_en&CatId=&SearchText=360auto-adjusting-holster+concealed+.*)

* cited by examiner

Primary Examiner — Catherine R Oliver-Garcia

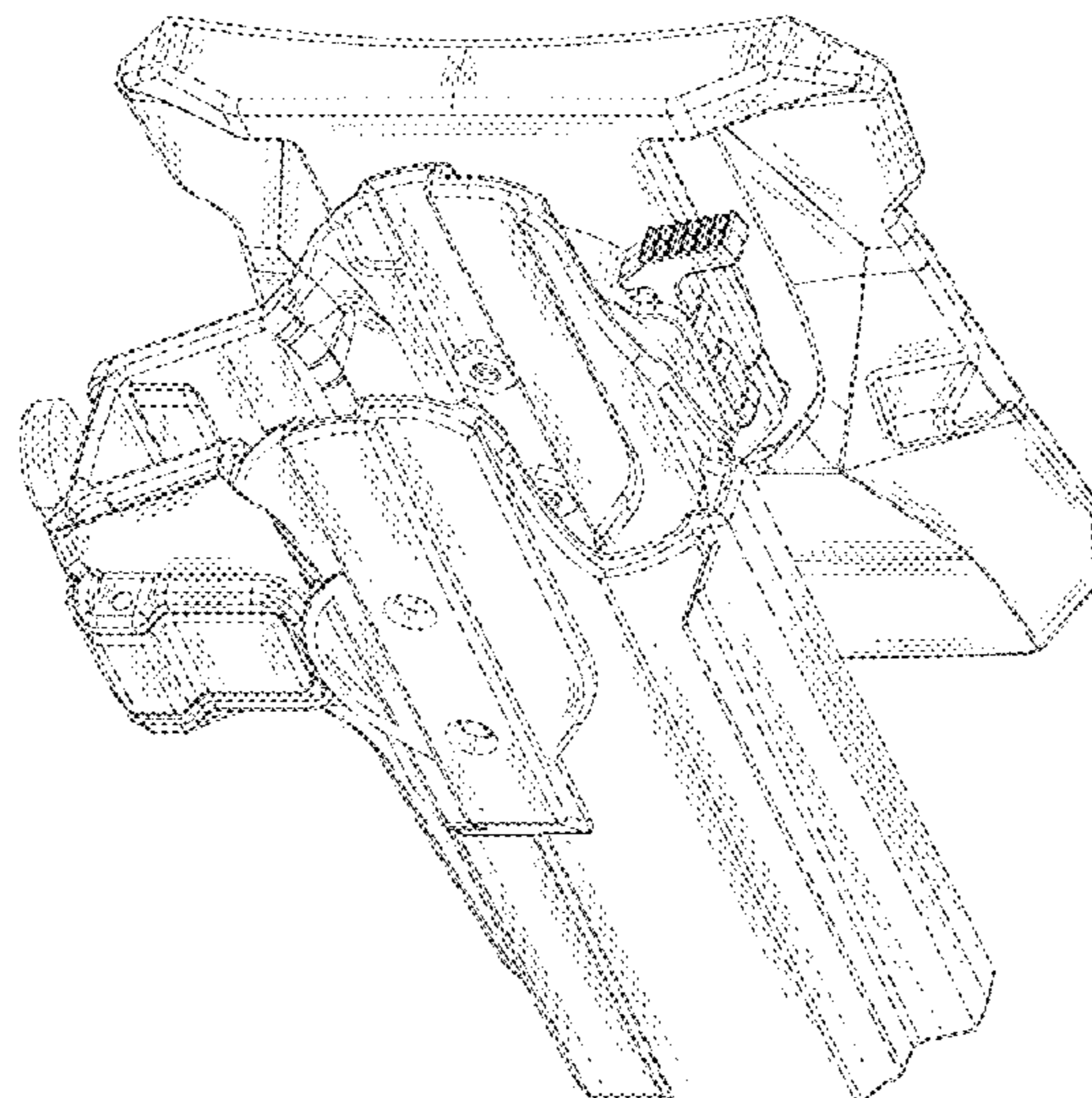
(57) **CLAIM**

The ornamental design for a holster, as shown and described.

DESCRIPTION

FIG. 1 is a front and top perspective view of a holster,
showing my, new design;
FIG. 2 is a front elevational view thereof;
FIG. 3 is a rear elevational view thereof;
FIG. 4 is a left side elevational view thereof;
FIG. 5 is a right side elevational view thereof;
FIG. 6 is a top plan view thereof; and,
FIG. 7 is a bottom plan view thereof.
The broken lines in the figures illustrate portions of the
article that form no part of the claimed design.

1 Claim, 7 Drawing Sheets



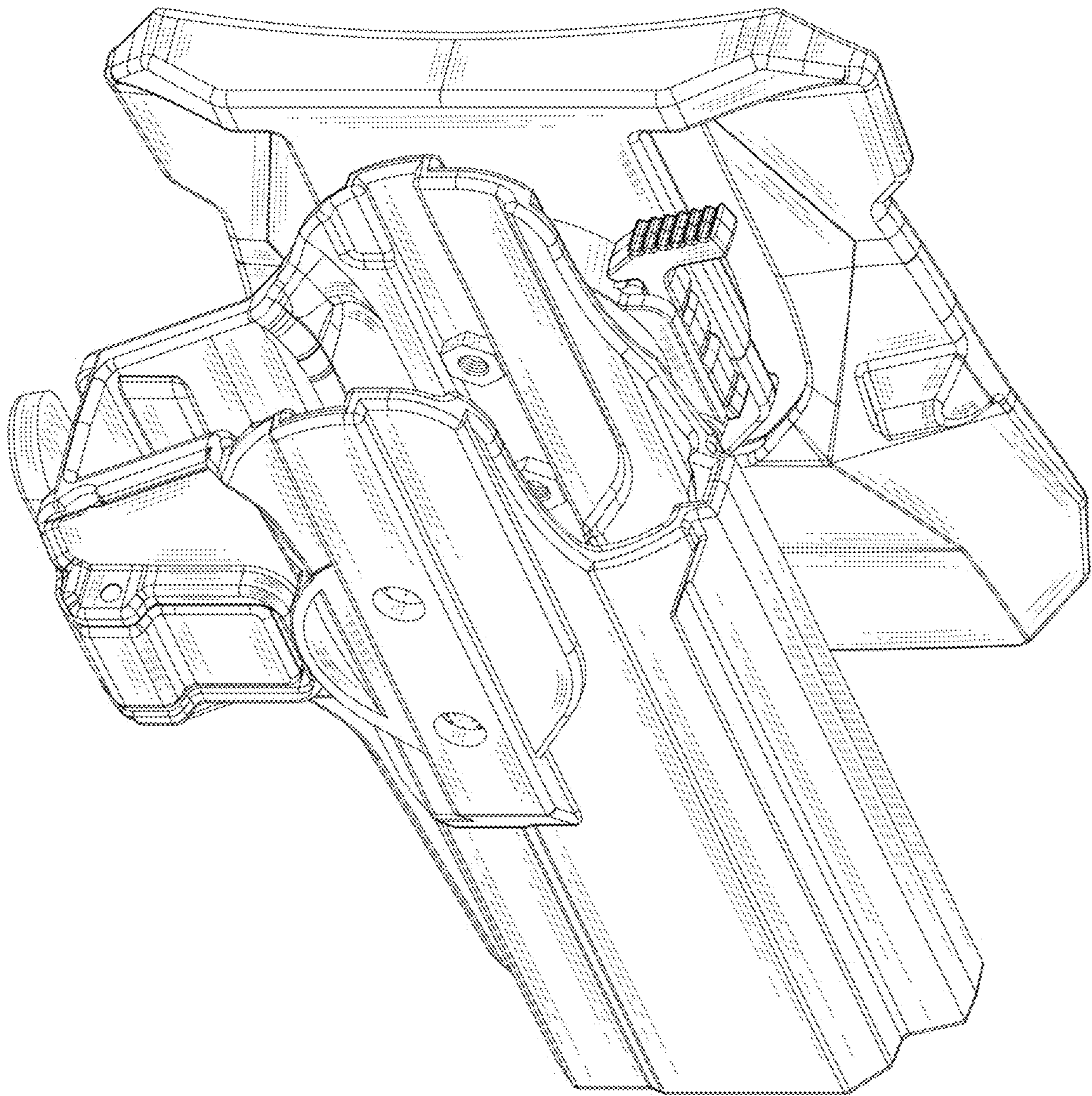


FIG. 1

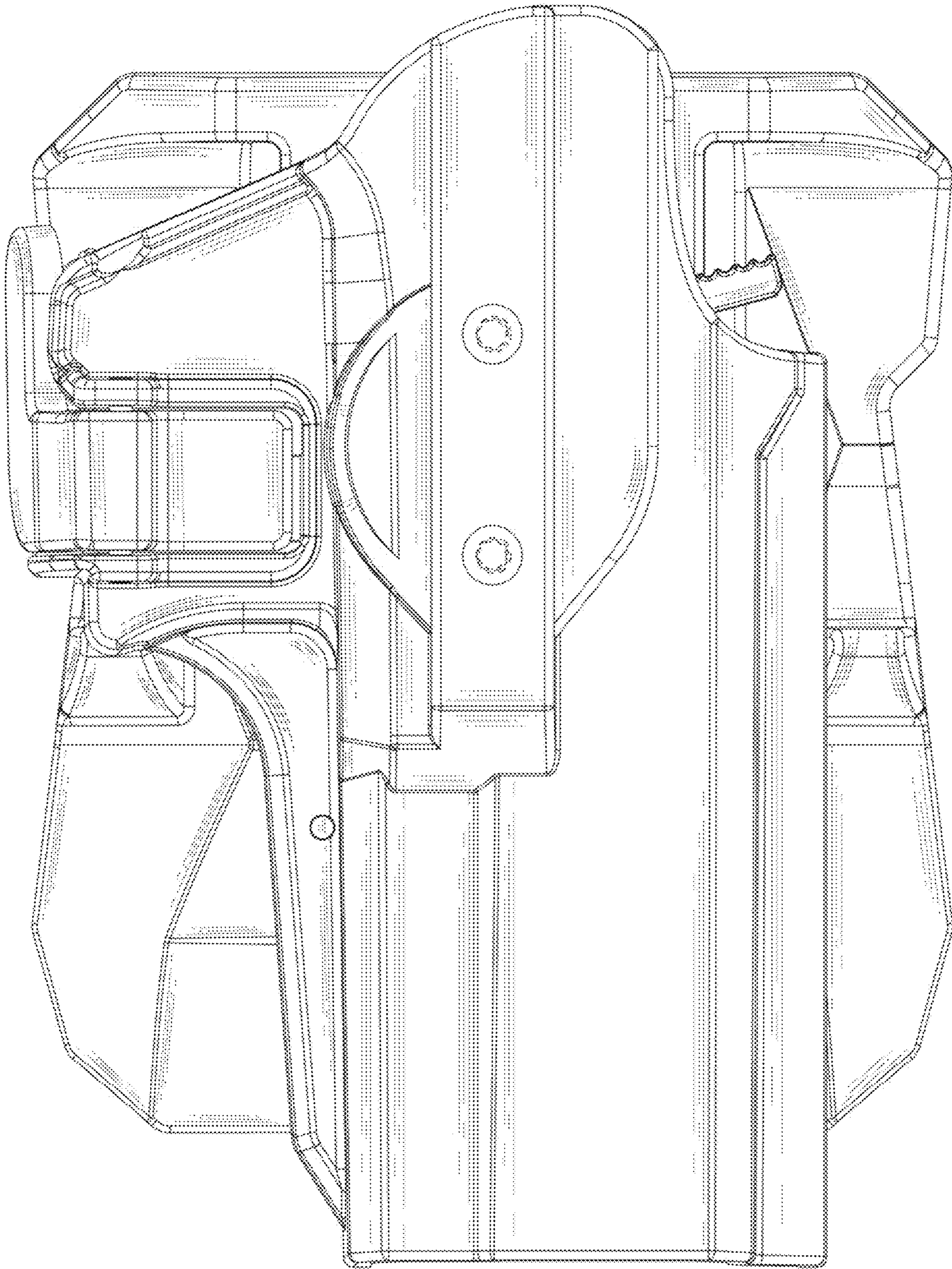


FIG. 2

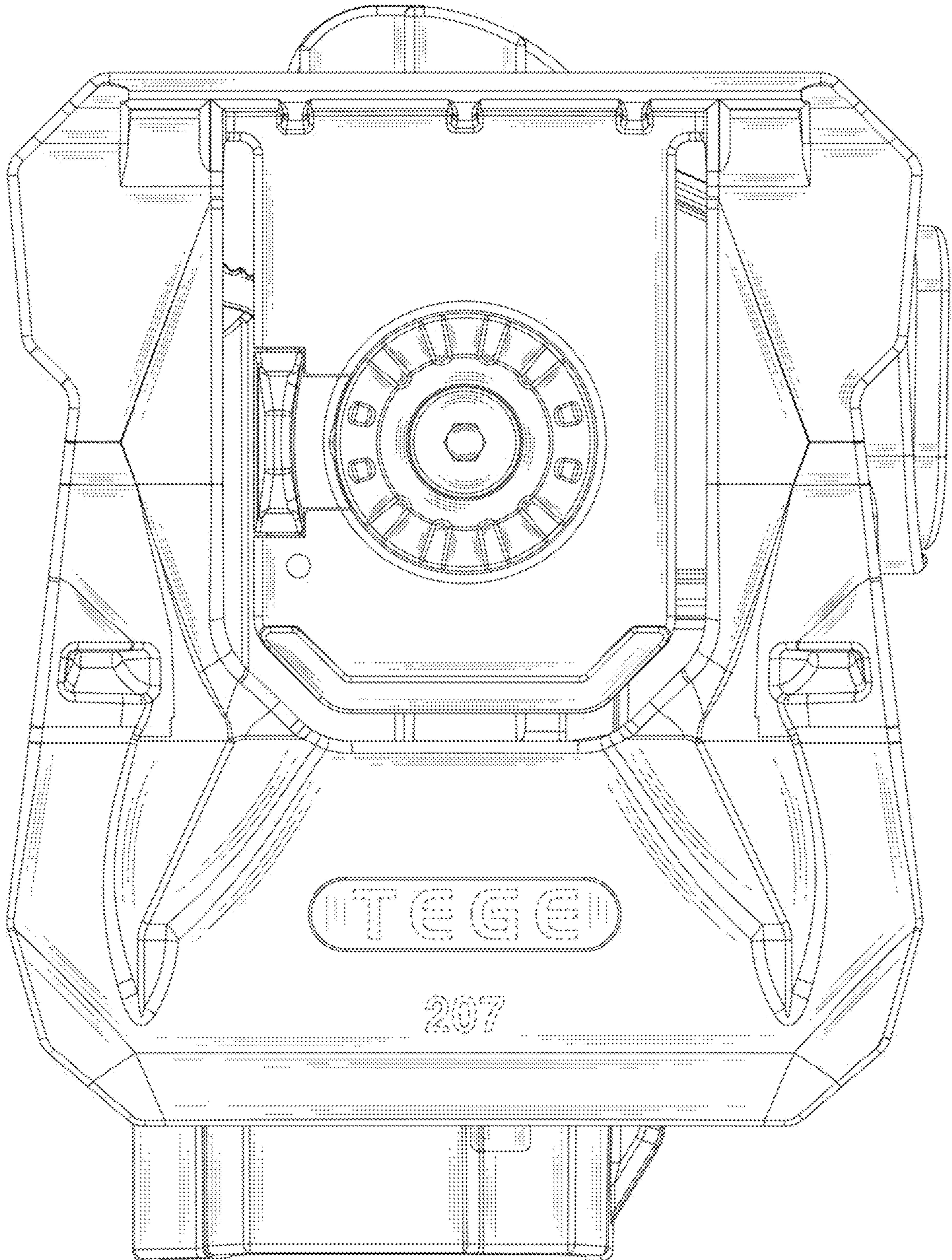


FIG. 3

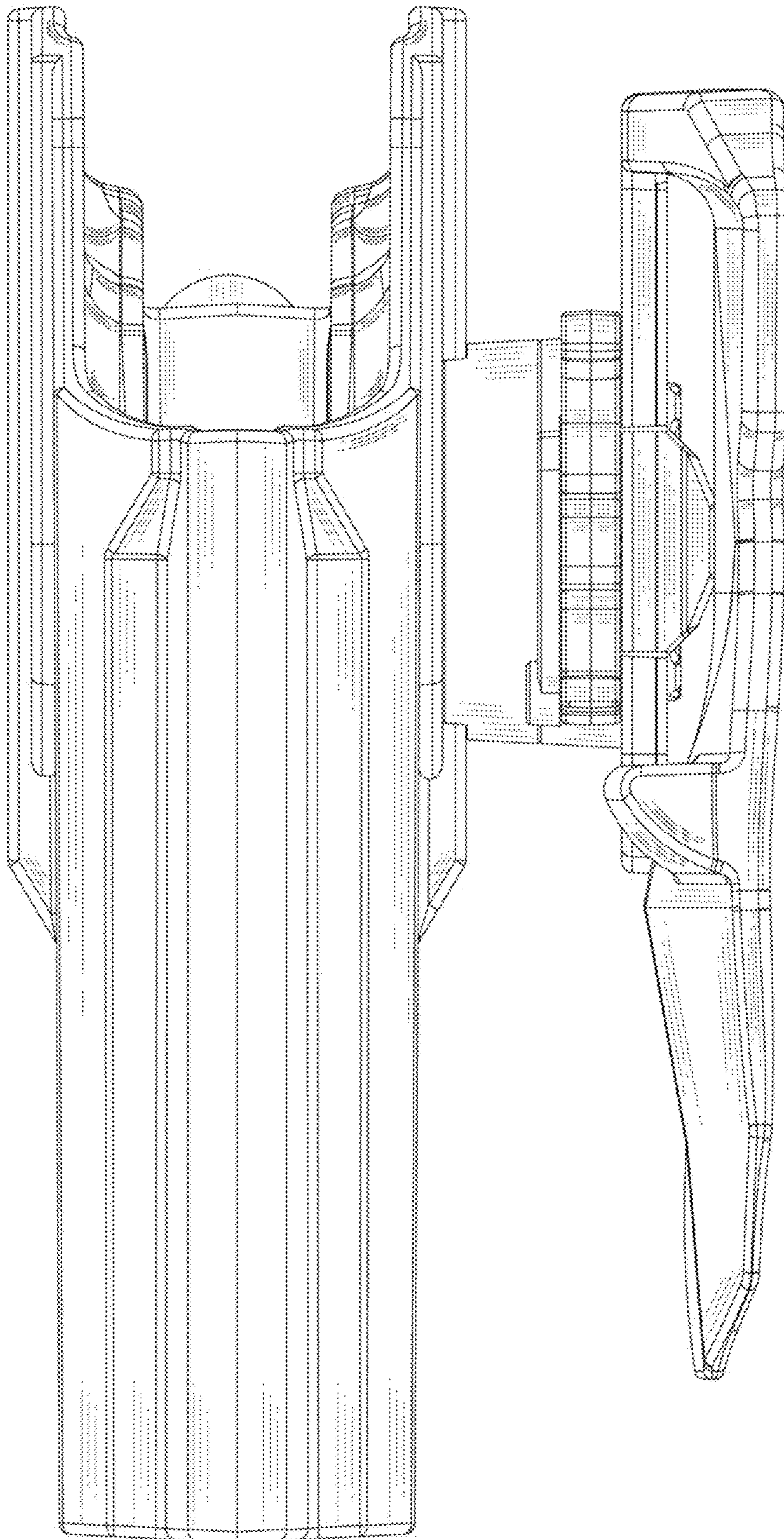


FIG. 4

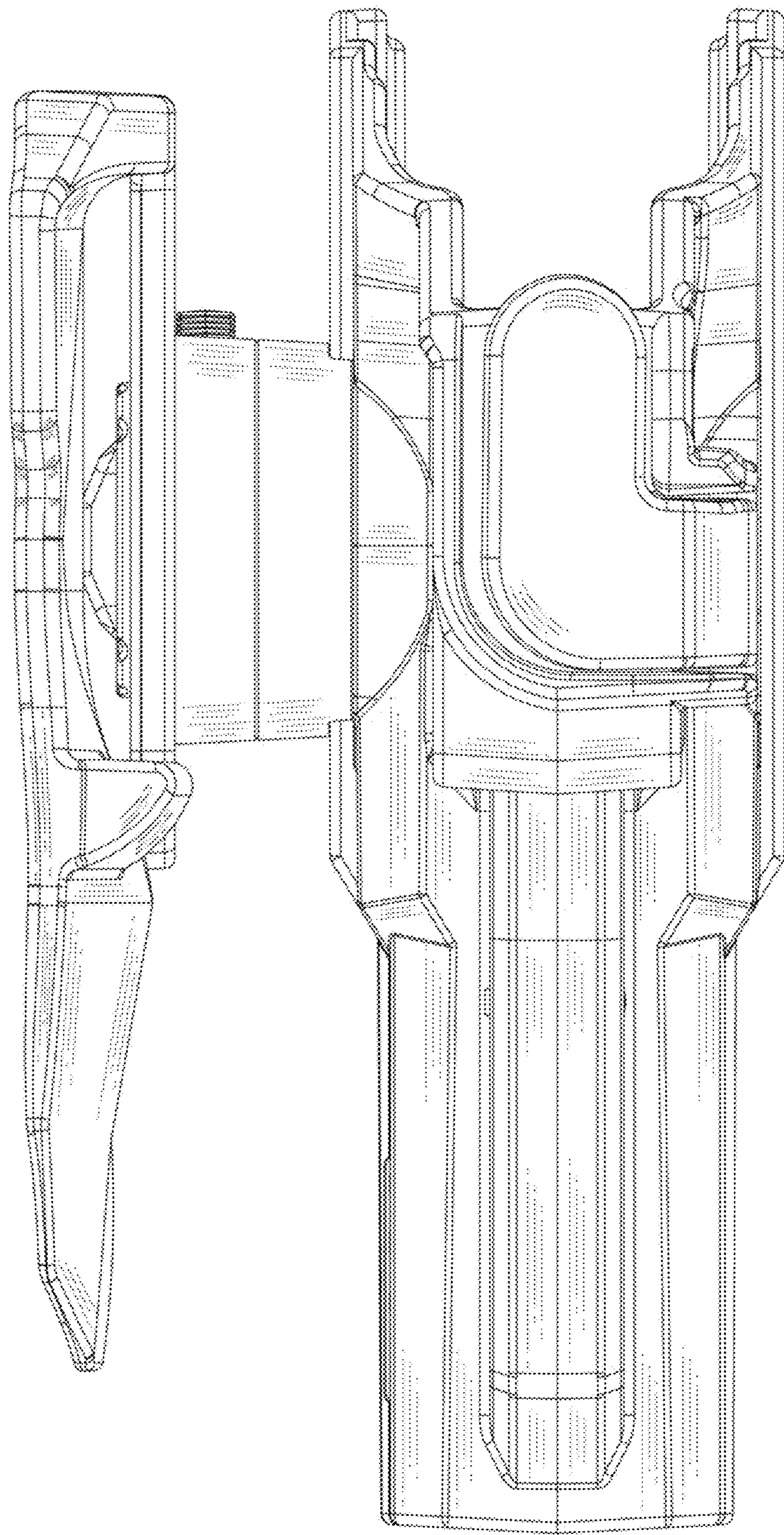


FIG. 5

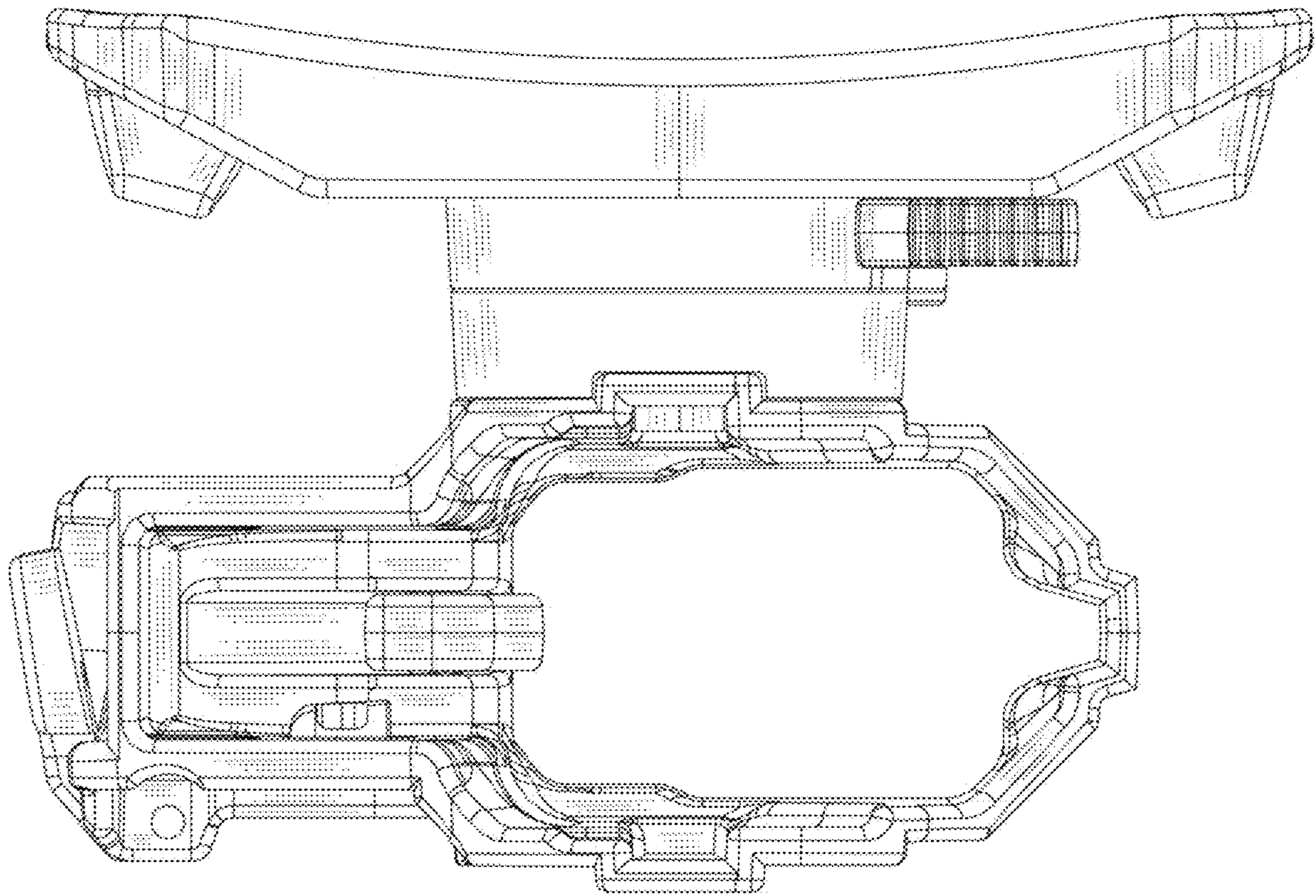


FIG. 6

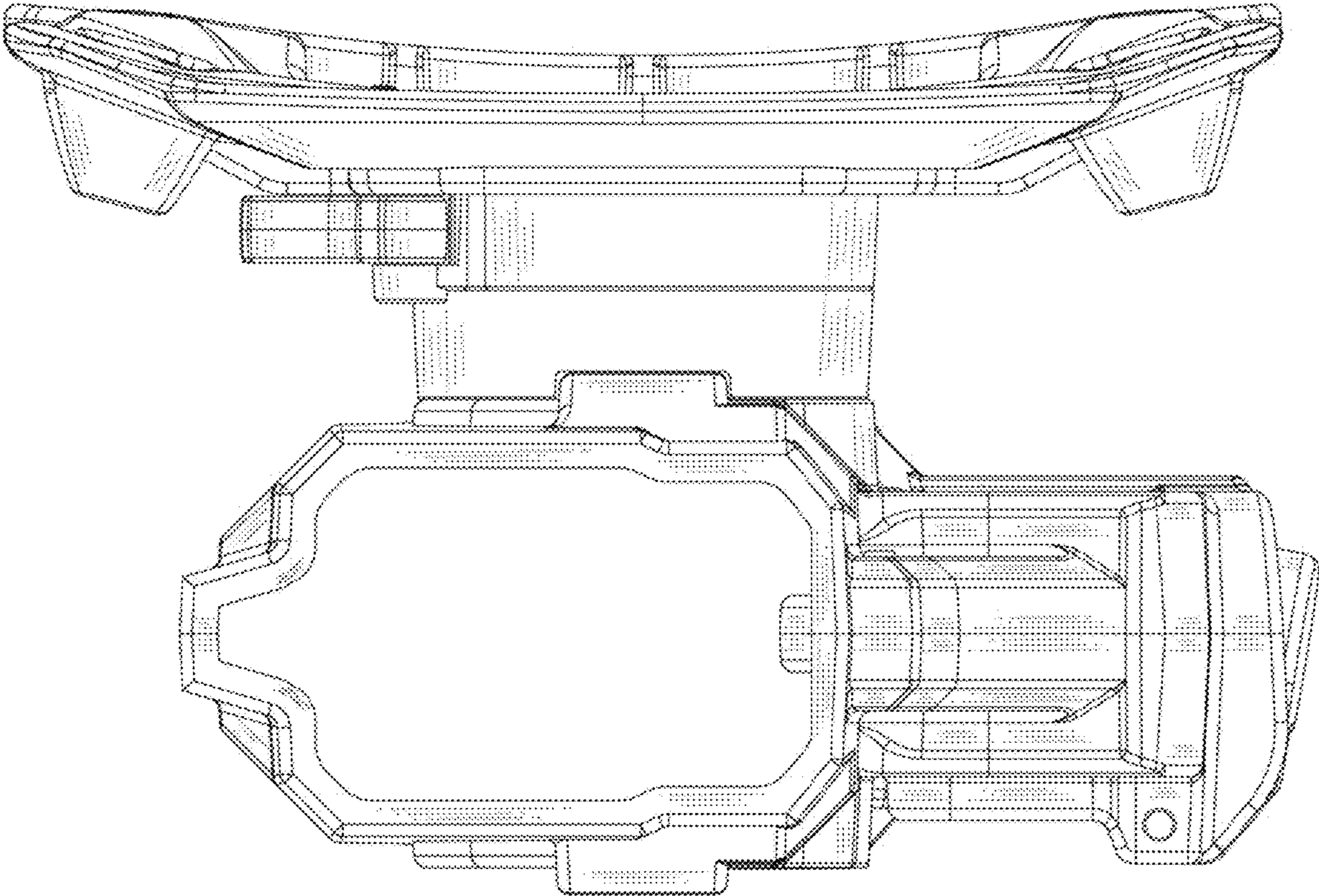


FIG. 7