



US00D925215S

(12) **United States Design Patent** (10) **Patent No.:** **US D925,215 S**
Jung (45) **Date of Patent:** **** Jul. 20, 2021**

(54) **CASE FOR EARPHONES**
(71) Applicant: **SPIGEN KOREA CO., LTD.**, Seoul (KR)

D738,110 S 9/2015 Jiang et al.
D740,018 S 10/2015 Zhang et al.
D752,569 S 3/2016 Lee et al.
(Continued)

(72) Inventor: **Soo Ha Jung**, Seoul (KR)

FOREIGN PATENT DOCUMENTS

(73) Assignee: **SPIGEN KOREA CO., LTD.**, Seoul (KR)

CN 304660512 * 6/2018
CN 304660513 * 6/2018

(**) Term: **15 Years**

OTHER PUBLICATIONS

(21) Appl. No.: **29/712,412**

Catalyst Waterproof Case for AirPods—Special Edition—Black, posted at apple.com, no posting date, retrieved Apr. 24, 2020, online, URL: https://www.apple.com/shop/product/HMUR2ZM/A/catalyst-waterproof-case-for-airpods-special-edition-black?afid=p238%7Cs5bjEZOpY-dc_mtid_1870765e38482_pcrd_407263161789_p (Year: 2020).*

(22) Filed: **Nov. 7, 2019**

(51) **LOC (13) Cl.** **03-01**

(52) **U.S. Cl.**
USPC **D3/218**

(58) **Field of Classification Search**
USPC D3/201, 203.1, 204, 205, 207–208, 212, D3/215, 218, 269, 273–274, 276, 283, D3/284, 294–300, 302, 303, 315, 901, D3/903; D9/414, 418, 420, 430, 432; D28/66, 73, 76, 78, 91; D14/188, 201, D14/204, 205, 209.1, 217, 250, 251, 440, D14/447
CPC ... A45C 13/002; A45C 13/005; A45C 13/025; A45C 2011/001; A45C 2011/002; A45C 2011/003

See application file for complete search history.

(Continued)

Primary Examiner — Lilyana Bekic
Assistant Examiner — Mary Shannon Malley
(74) *Attorney, Agent, or Firm* — Heedong Chae; Lucem, PC

(57) **CLAIM**

The ornamental design for a case for earphones, as shown and described.

DESCRIPTION

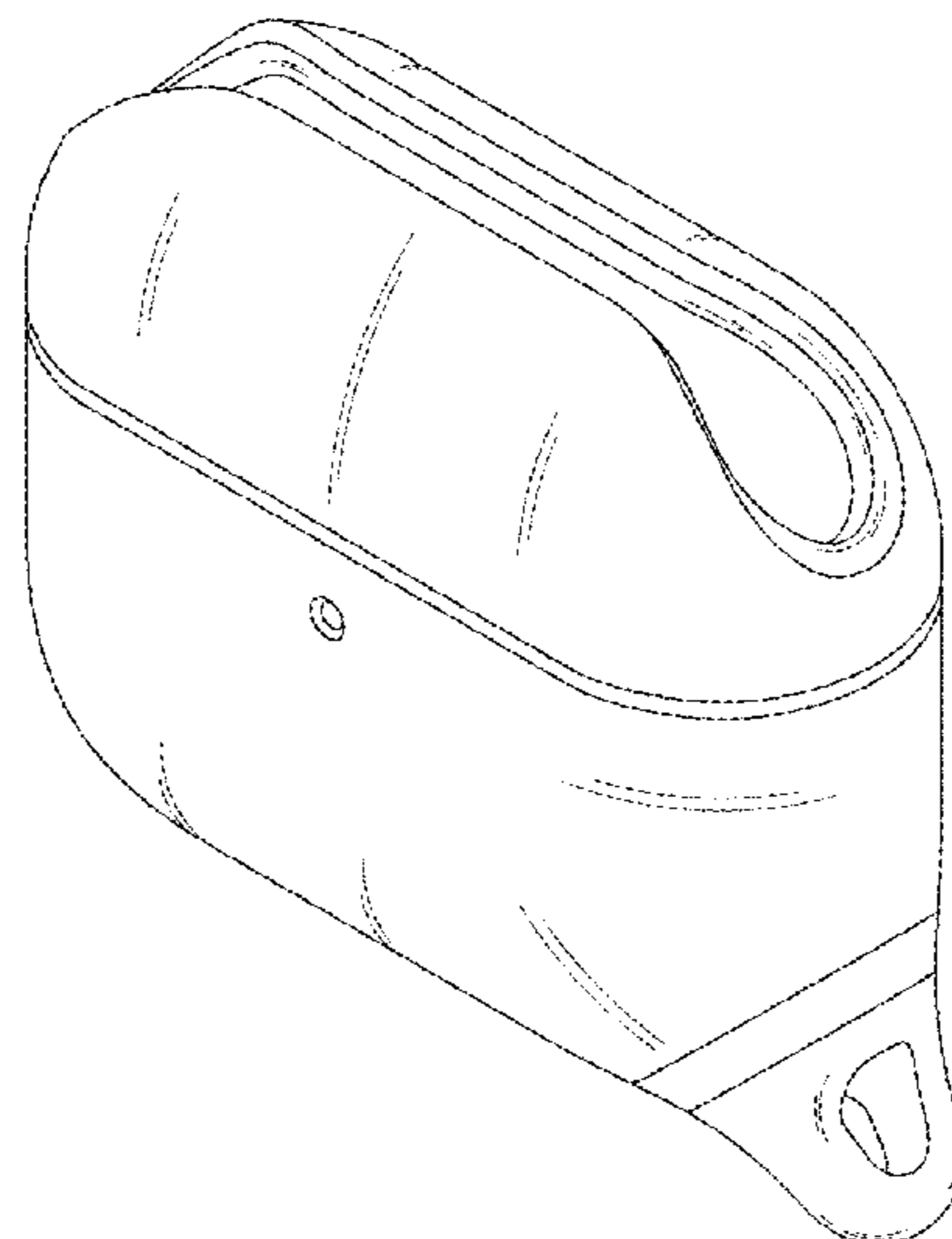
FIG. 1 is a front perspective view of a case for earphones showing my new design;
FIG. 2 is a rear perspective view thereof;
FIG. 3 is a front elevational view thereof;
FIG. 4 is a rear elevational view thereof;
FIG. 5 is a left side elevational view thereof;
FIG. 6 is a right side elevational view thereof;
FIG. 7 is a top plan view thereof; and,
FIG. 8 is a bottom plan view thereof.
The broken lines depict portions of the case for earphones that form no part of the claimed design.

(56) **References Cited**

U.S. PATENT DOCUMENTS

D259,596 S 6/1981 Gray
D355,657 S * 2/1995 Scheid D14/191
D452,611 S 1/2002 Redgrave
D475,696 S 6/2003 Hussaini et al.
D586,557 S 2/2009 Jalet
D604,501 S 11/2009 Lee
D614,048 S 4/2010 Smith
D636,598 S 4/2011 Tseng et al.
D676,654 S 2/2013 Weremchuk et al.
D692,873 S * 11/2013 Daniel D14/250

1 Claim, 8 Drawing Sheets



(56)

References Cited

U.S. PATENT DOCUMENTS

D756,626 S 5/2016 Tollefsbol et al.
 D763,241 S 8/2016 Kim
 D770,434 S 11/2016 Choe et al.
 D786,879 S 5/2017 Kim
 D787,493 S 5/2017 Kim et al.
 D791,754 S 7/2017 Armstrong et al.
 D794,617 S 8/2017 Wright et al.
 D794,618 S 8/2017 Wright et al.
 D795,881 S 8/2017 Akana et al.
 D797,715 S 9/2017 Kim
 D806,060 S 12/2017 Kim et al.
 D806,388 S 1/2018 Akana et al.
 D807,337 S 1/2018 Kim et al.
 D813,909 S 3/2018 Lacy-Nichols
 D816,651 S 5/2018 Chiang et al.
 D817,640 S 5/2018 Dang et al.
 D823,246 S 7/2018 Lin
 D834,301 S 11/2018 Poissant
 D835,081 S 12/2018 Luo
 D838,480 S 1/2019 Son et al.
 D841,580 S 2/2019 Bao
 D841,581 S 2/2019 Bonahoom et al.
 D846,264 S 4/2019 Wu
 D849,401 S 5/2019 Akana et al.
 D853,108 S 7/2019 Zaihui
 D862,425 S 10/2019 Yan
 D864,110 S 10/2019 Yoshimura
 D864,971 S 10/2019 Lee et al.
 D868,453 S 12/2019 Lee et al.
 D868,465 S 12/2019 Lee et al.
 D869,147 S 12/2019 Lian
 D869,161 S * 12/2019 Zhong D3/294
 D869,163 S 12/2019 Maguire
 D870,037 S 12/2019 Lee
 D870,451 S 12/2019 Birger
 D872,094 S 1/2020 Wright et al.
 D872,468 S 1/2020 Lee et al.
 D872,469 S 1/2020 Lee et al.
 D872,723 S 1/2020 Lee et al.
 D872,724 S 1/2020 Lee et al.
 D873,217 S 1/2020 Zhang
 D874,826 S * 2/2020 Zhang D3/303
 D878,754 S * 3/2020 Lee D3/270
 D881,179 S * 4/2020 Wright D14/250
 D881,180 S * 4/2020 Wright D14/250
 D881,181 S * 4/2020 Wright D14/250
 2020/0100573 A1 * 4/2020 Ekelund A45C 11/00

OTHER PUBLICATIONS

Waterproof Case for Airpods Pro—Special Edition, posted at catalyst lifestyle.com, no posting date, retrieved Mar. 10, 2021, online, URL: <https://www.catalystlifestyle.com/collections/catalyst->

collection-for-airpods/products/waterproof-case-for-airpods-pro-special-edition?variant=33186813575277 (Year: 2021).*

Tineye reverse image search on npl 1 reference, posted at tineyearch.com, first found May 29, 2020, retrieved Mar. 10, 2021, online, URL: https://tineye.com/search/3bfdeb1653201e579679e8-0e70aa700e47d6553?sort=crawl_date&order=asc&page=1 (Year: 2020).*

CatalystAirPods Pro用防水ケース「Catalyst Waterproof Case for AirPods Pro—Special Edition」の紹介, pposted at youtube.com, posted Dec. 19, 2019, retrieved Mar. 10, 2021, online, URL: <https://www.youtube.com/watch?v=cSTWICcm940> (Year: 2019).*

Wayback machine search of website: <https://www.apple.com/shop/product/HP1H2ZM/A/catalyst-waterproof-case-for-airpods-pro-special-edition-red>, first found Apr. 16, 2020, retrieved Mar. 10, 2021, online, URL: <https://web.archive.org/web/20200416153718/https://www.apple.com/shop/product/HP1H2ZM/A/catalyst-waterp> (Year: 2020).*

[Item X continued] roof-case-for-airpods-pro-special-edition-red (Year: 2020).*

Catalyst 3 X Waterproof Cases for AirPods Pro Skin for Apple AirPods Pro Charging Case, Shockproof, Protective Cover Soft Skin, Carabiner, Silicone, Compatible Wireless Charging—Black/Blue/Red, posted at amazon.com, first available Feb. 11, 2020, retrieved Mar. 11, 2021, online, URL: <https://www.amazon.com/> (Year: 2020).*

[Item V continued] Catalyst-Waterproof-Shockproof-Protective-Compatible/dp/B084P2Z9X1/ref=sr_1_6?dchild=1 &keywords=Catalyst+Waterproof+Case+for+AirPods+Pro+-+Special+Edition &qid=1615313057&sr=8-6 (Year: 2020).*

Spigen Slim Armor IP Designed for Apple Airpods Pro Case Waterproof Case Cover—Black, posted at amazon.com, available Oct. 28, 2019, retrieved Mar. 11, 2021, online, URL: [Spigen Slim Armor IP Designed for Apple Airpods Pro Case Waterproof Case Cover-Black](https://www.amazon.com/) (Year: 2019).*

“Lwsengme Cover Compatible with Apple Airpods case 1 & New Air Pods 2,3-Proof Silicone Charging Case with Keychain Compatible with Apple Airpod Accessories(Not Compatible with Wireless Charging Case)”, <https://www.amazon.com/dp/B07CGB415P>, Earliest review date of Aug. 24, 2017, Downloaded on Jun. 26, 2020.

“Catalyst Airpods Case Protective Silicon Cover, Compatible with Airpods Charging Case for Airpods 2, LED Light Visible, Compatible with Wireless Charging, Carabiner, Waterproof—Slate Gray”, <https://www.amazon.com/dp/B06XKK1SZR>, Earliest review date of May 9, 2019, Downloaded on Jun. 26, 2020.

“Mrdarcy Waterproof Silicone Protective Case for Apple AirPods ½ (Black)”, <https://www.amazon.com/dp/B07QV8BJSJ>, Earliest review date of May 20, 2019, Downloaded on Jun. 26, 2020.

“Micok Compatible Airpods Case, Waterproof Protective Case Cover Skin for Airpods 2 & 1 Charging Case, Airpods Accessories (Front LED Light is Visible)”, <https://www.amazon.com/dp/B07WT4W6GT/>, Earliest review date of Oct. 25, 2019, Downloaded on Jun. 26, 2020.

* cited by examiner

FIG. 1

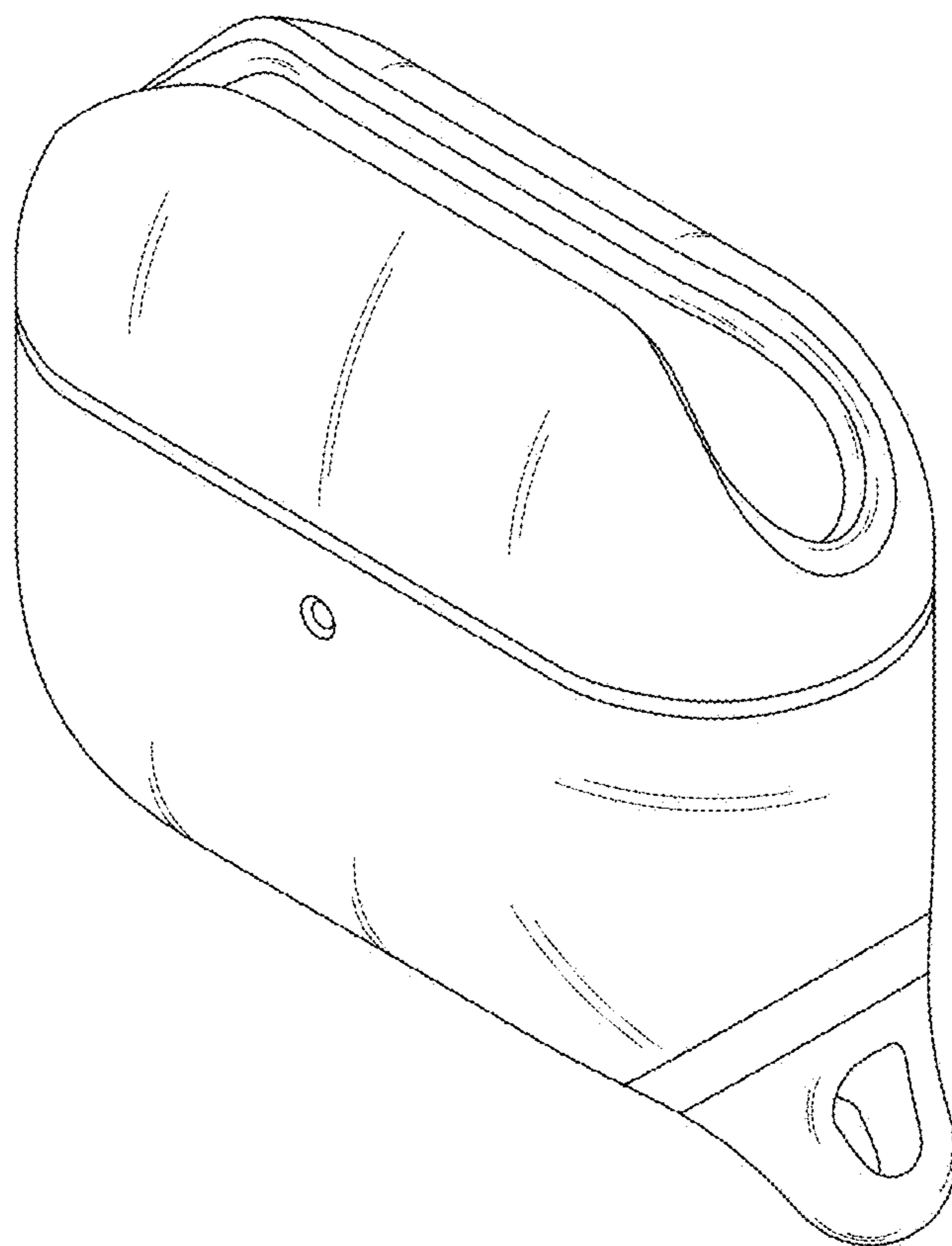


FIG. 2

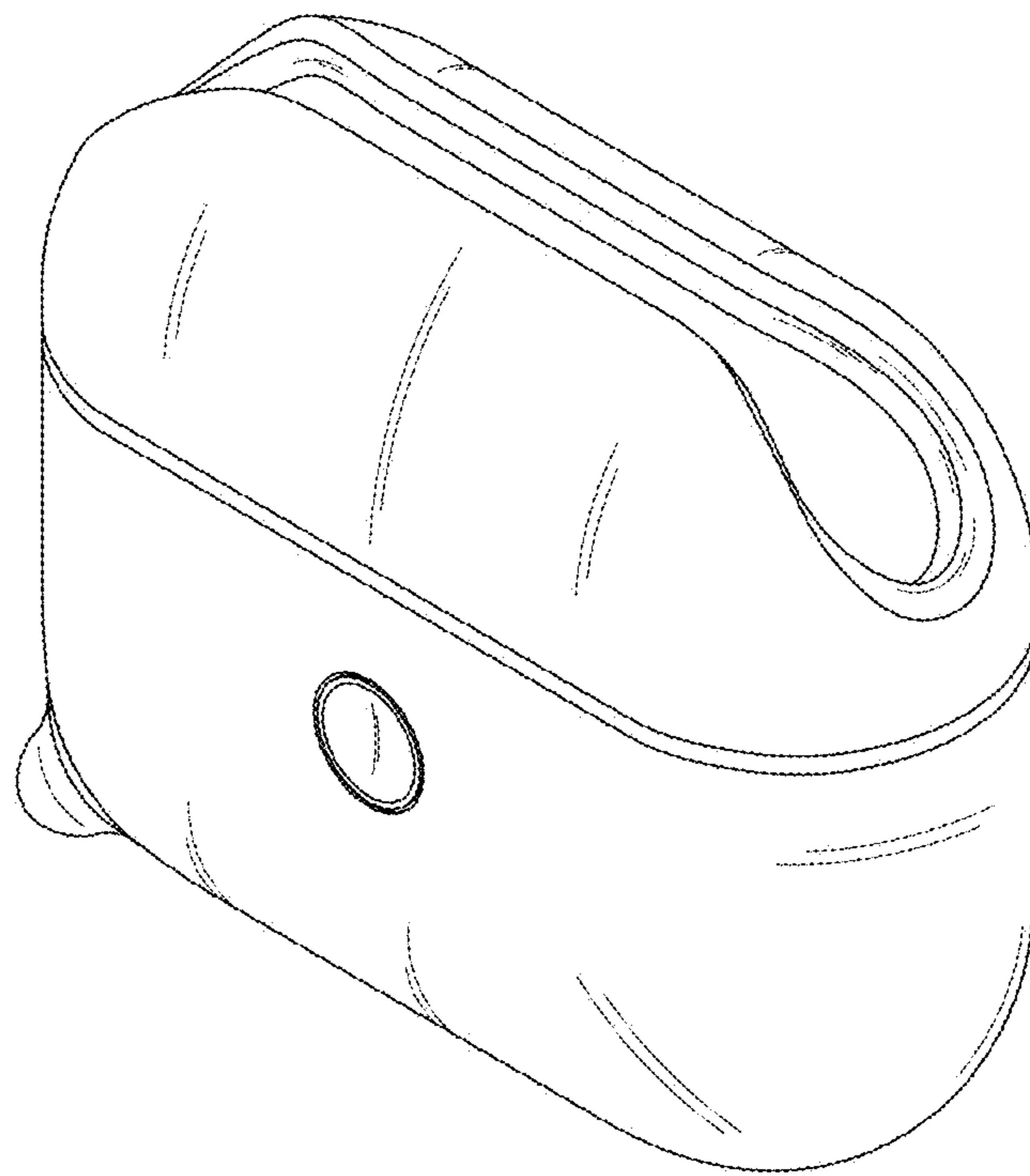


FIG. 3

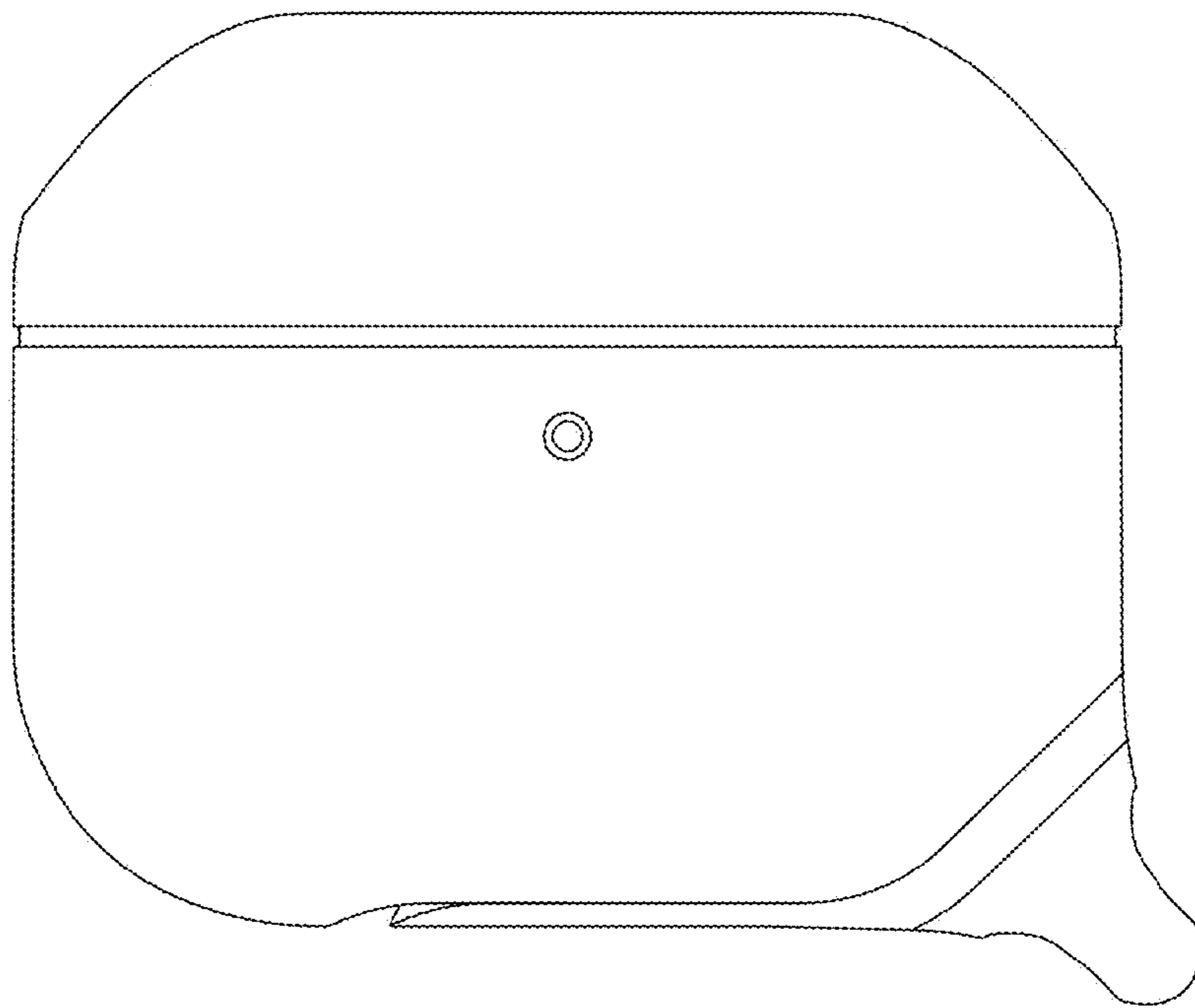


FIG. 4

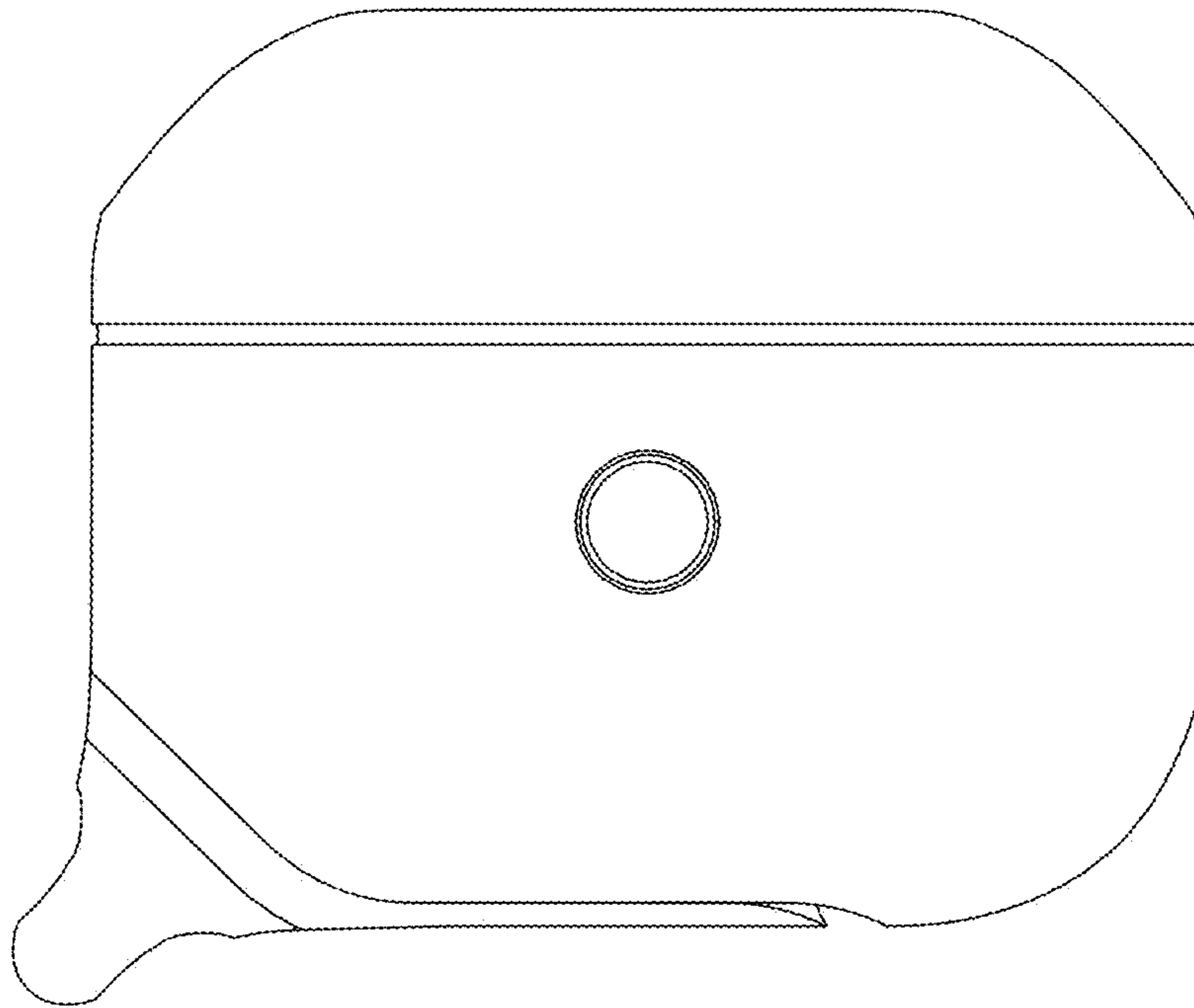


FIG. 5

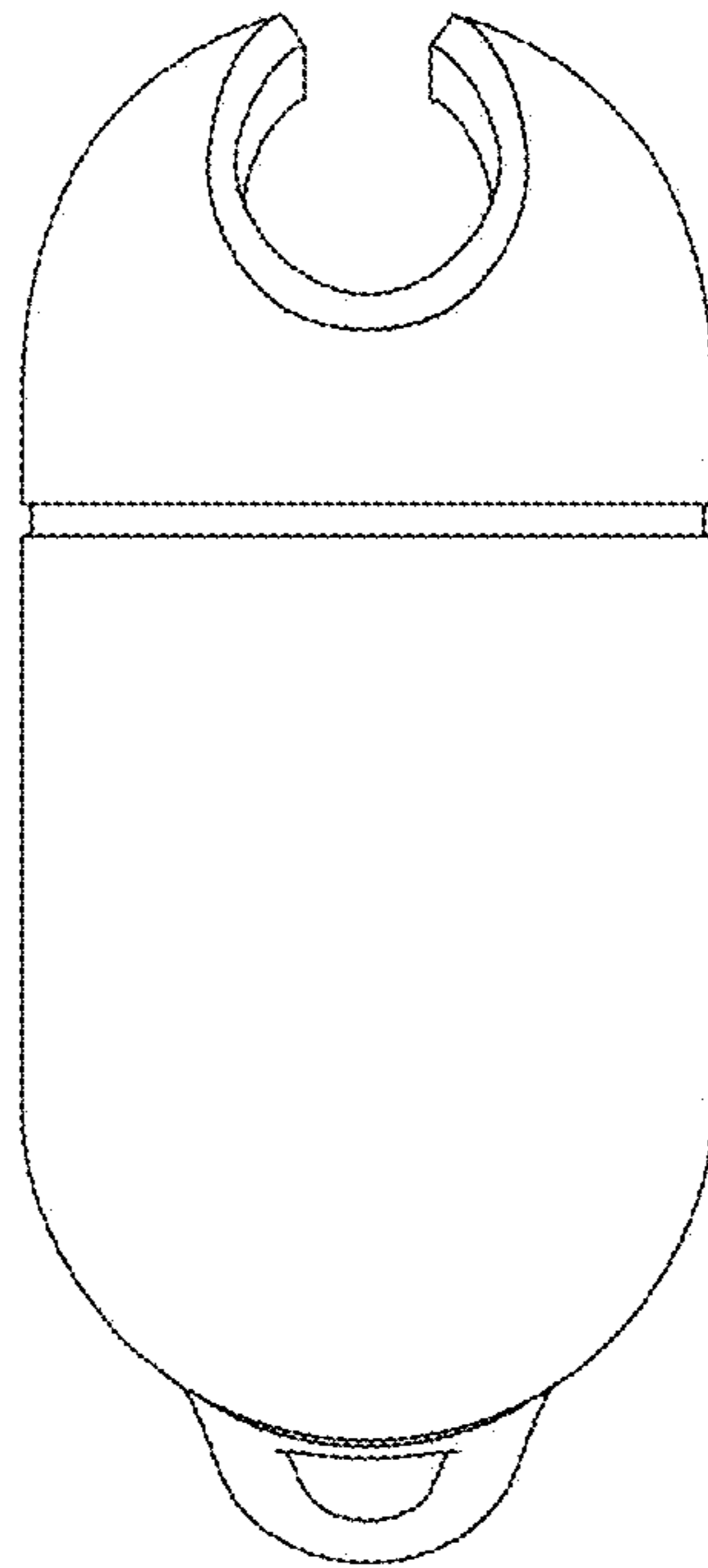


FIG. 6

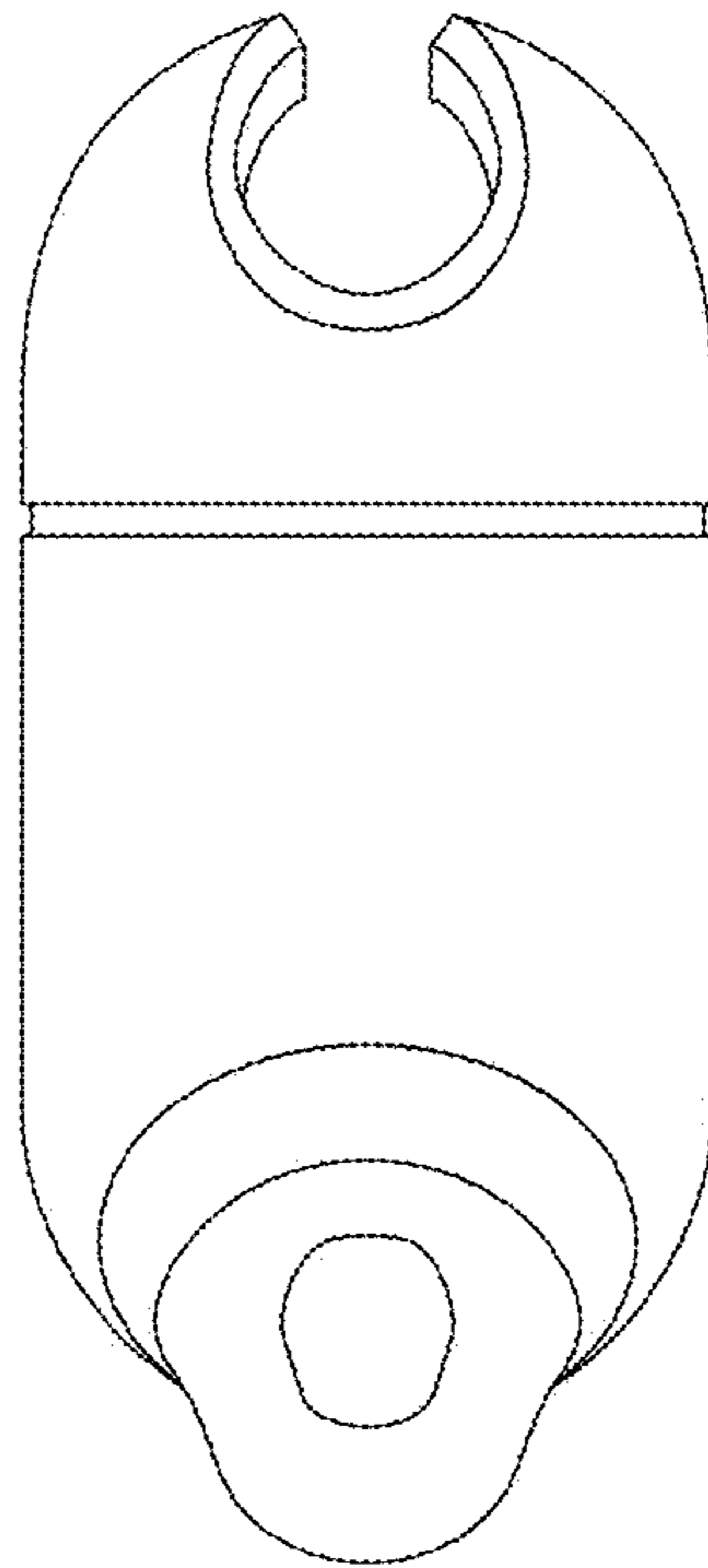


FIG. 7

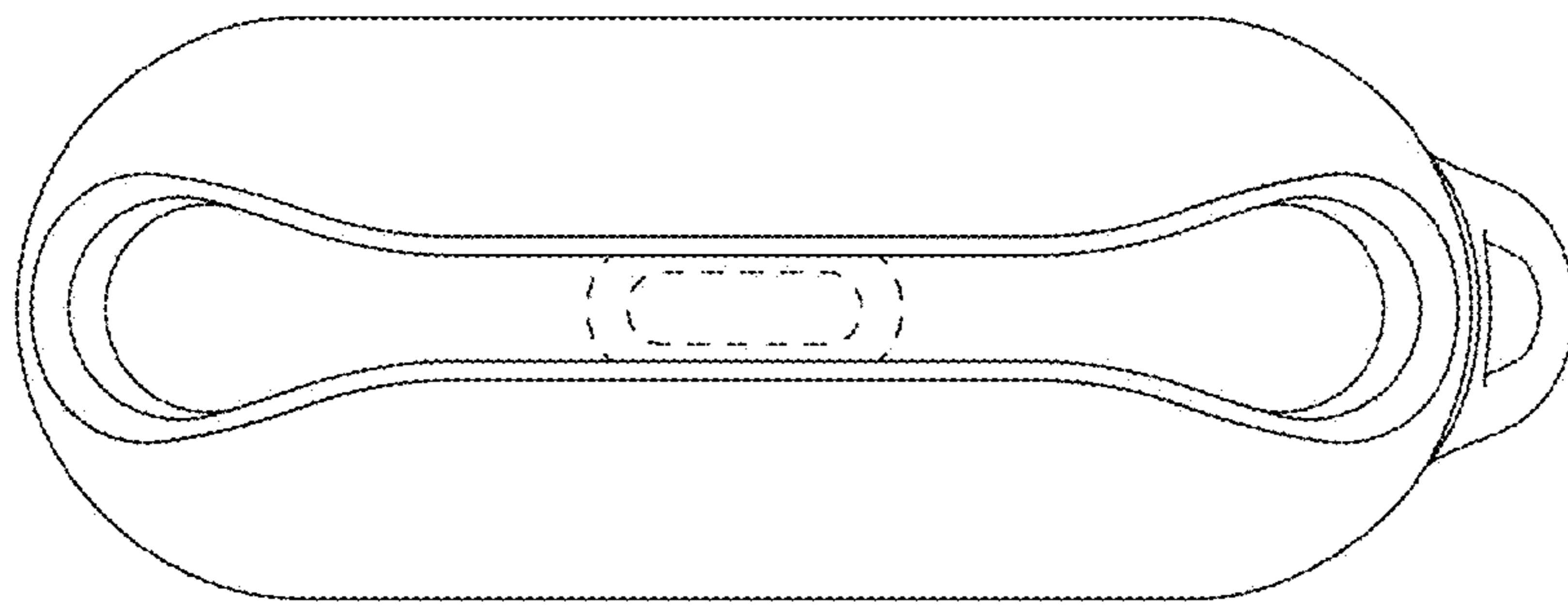


FIG. 8

