



US00D925213S

(12) **United States Design Patent** (10) **Patent No.:** **US D925,213 S**  
**Winchester** (45) **Date of Patent:** **\*\* Jul. 20, 2021**

(54) **TOILET TOTE BAG**  
(71) Applicant: **Richard M. Winchester**, Ballwin, CO (US)  
(72) Inventor: **Richard M. Winchester**, Ballwin, CO (US)  
(73) Assignee: **Winchester & Associates, LLC**  
(\*\*) Term: **15 Years**  
(21) Appl. No.: **29/742,139**  
(22) Filed: **Feb. 3, 2020**  
(51) **LOC (13) Cl.** ..... **03-01**  
(52) **U.S. Cl.**  
USPC ..... **D3/201**  
(58) **Field of Classification Search**  
USPC ..... D3/201, 210, 222, 223, 228, 229, 230, D3/232, 233, 243, 244, 257, 306; D9/706; 383/4; D6/349, 610  
CPC .... A45C 3/10; A45C 3/04; A45C 1/02; A45C 3/06  
See application file for complete search history.

6,802,085 B2 10/2004 Catanescu et al.  
7,523,509 B1 \* 4/2009 Willard ..... A47K 13/005 4/239  
D596,396 S \* 7/2009 McCoy ..... D3/232  
D608,088 S \* 1/2010 Levy ..... D3/232  
D641,549 S \* 7/2011 Caldwell ..... D3/232  
D665,899 S \* 8/2012 Authier ..... A45C 7/0077 D23/410  
D719,353 S \* 12/2014 Tan ..... A45C 5/02 D3/315  
D723,277 S \* 3/2015 Van Migem ..... A45C 7/0077 D3/315  
D787,823 S \* 5/2017 Nair ..... D3/246  
D821,094 S \* 6/2018 Dragicevic ..... A47K 13/14 D3/246  
2014/0291329 A1 \* 10/2014 Morrow ..... A45C 7/0077 220/495.08  
2017/0099920 A1 \* 4/2017 Bailey ..... A45C 3/001  
2018/0220760 A1 \* 8/2018 Lin ..... A45C 7/0077  
2019/0328092 A1 \* 10/2019 Gomez-Morillo ..... A45C 5/02

\* cited by examiner

*Primary Examiner* — Kevin K Rudzinski  
*Assistant Examiner* — Amber J Rabie  
(74) *Attorney, Agent, or Firm* — Paul M. Denk

(56) **References Cited**

U.S. PATENT DOCUMENTS

4,062,392 A \* 12/1977 Ishii ..... A45C 3/04 383/2  
5,042,664 A \* 8/1991 Shyr ..... A45C 13/02 206/579  
5,062,557 A \* 11/1991 Mahvi ..... A45C 9/00 224/153  
D322,192 S \* 12/1991 Alvey ..... D6/610  
5,090,063 A \* 2/1992 Edwards ..... A47K 13/14 206/225  
5,213,418 A \* 5/1993 Dancy ..... A45C 3/04 383/104  
5,367,718 A 11/1994 Ellis  
D491,354 S \* 6/2004 Chapelier ..... A45C 3/04 D3/246

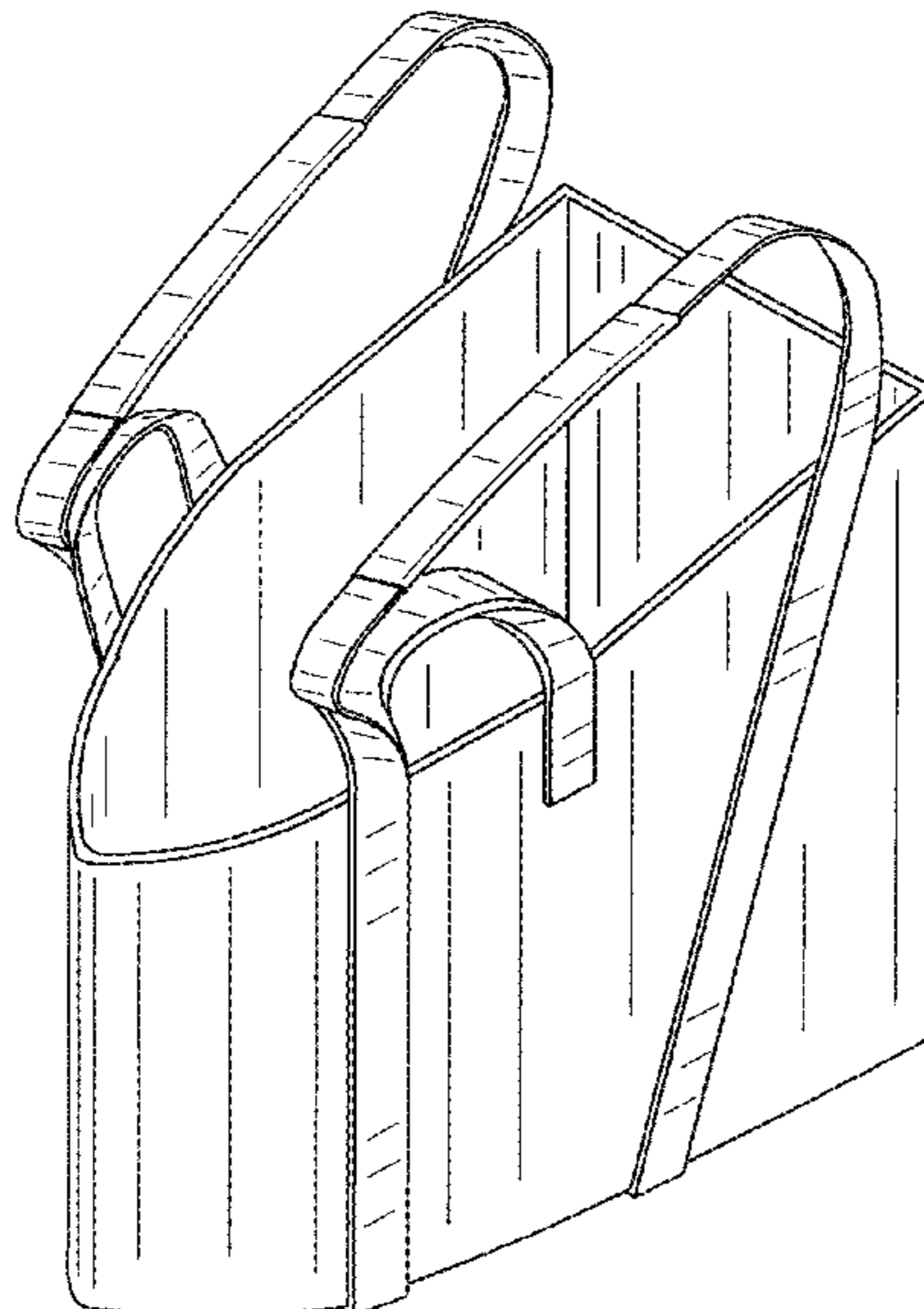
(57) **CLAIM**

The ornamental design for a toilet tote bag, as shown and described.

**DESCRIPTION**

FIG. 1 is an isometric view of the toilet tote bag of this invention;  
FIG. 2 is a front view thereof;  
FIG. 3 is a back view;  
FIG. 4 is a left side view;  
FIG. 5 is a right side view;  
FIG. 6 is a top view; and,  
FIG. 7 is a bottom view of the bag.

**1 Claim, 5 Drawing Sheets**



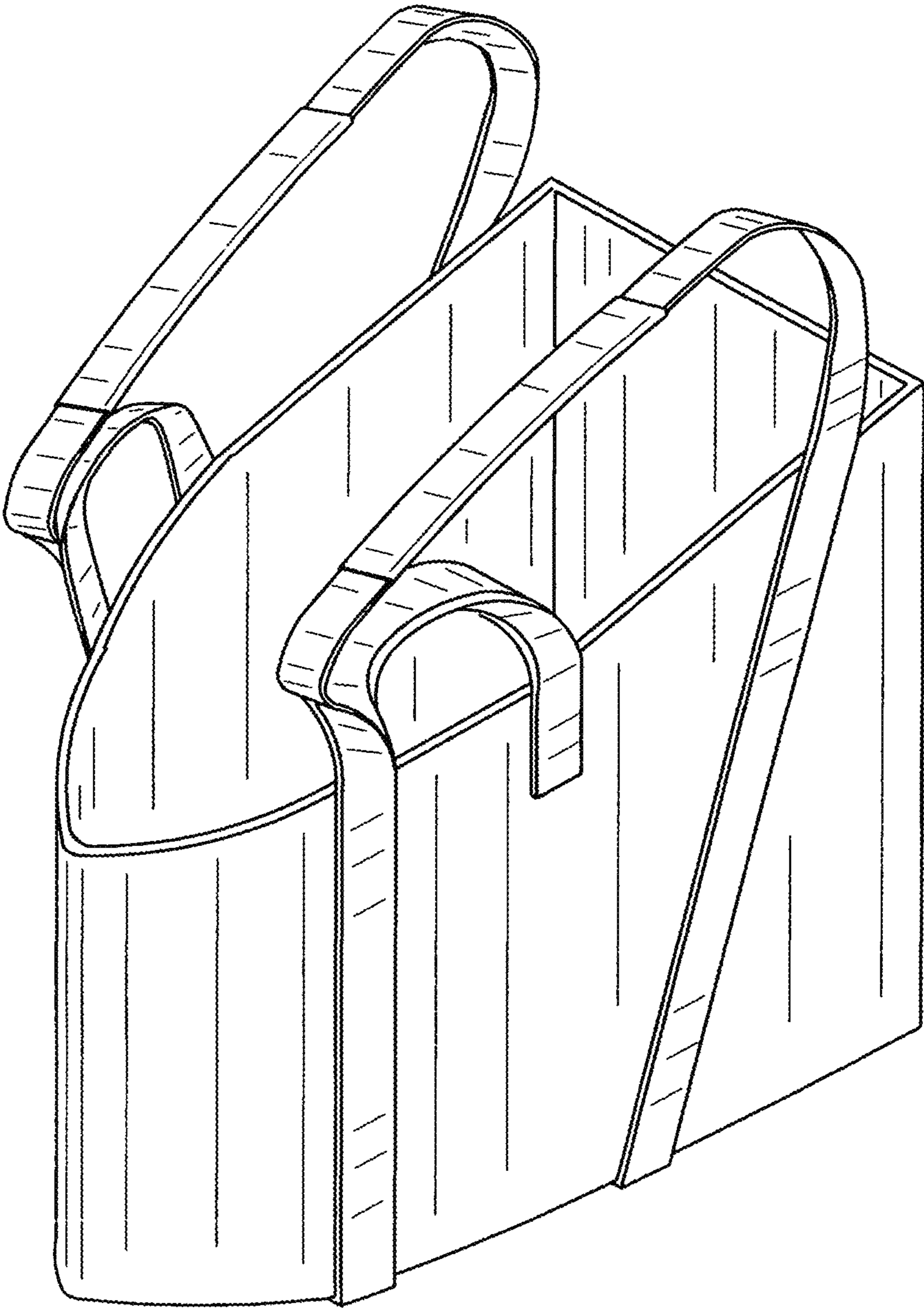


FIG. 1

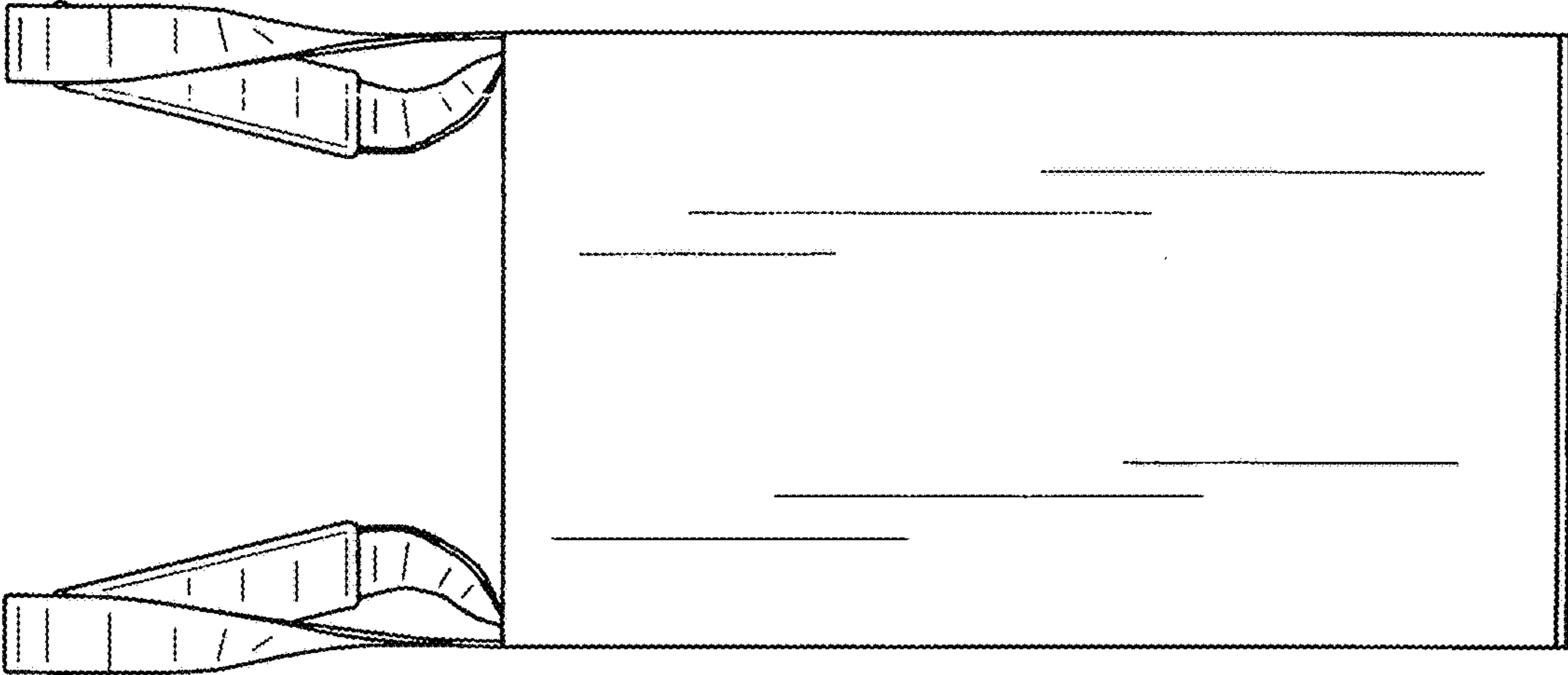


FIG. 3

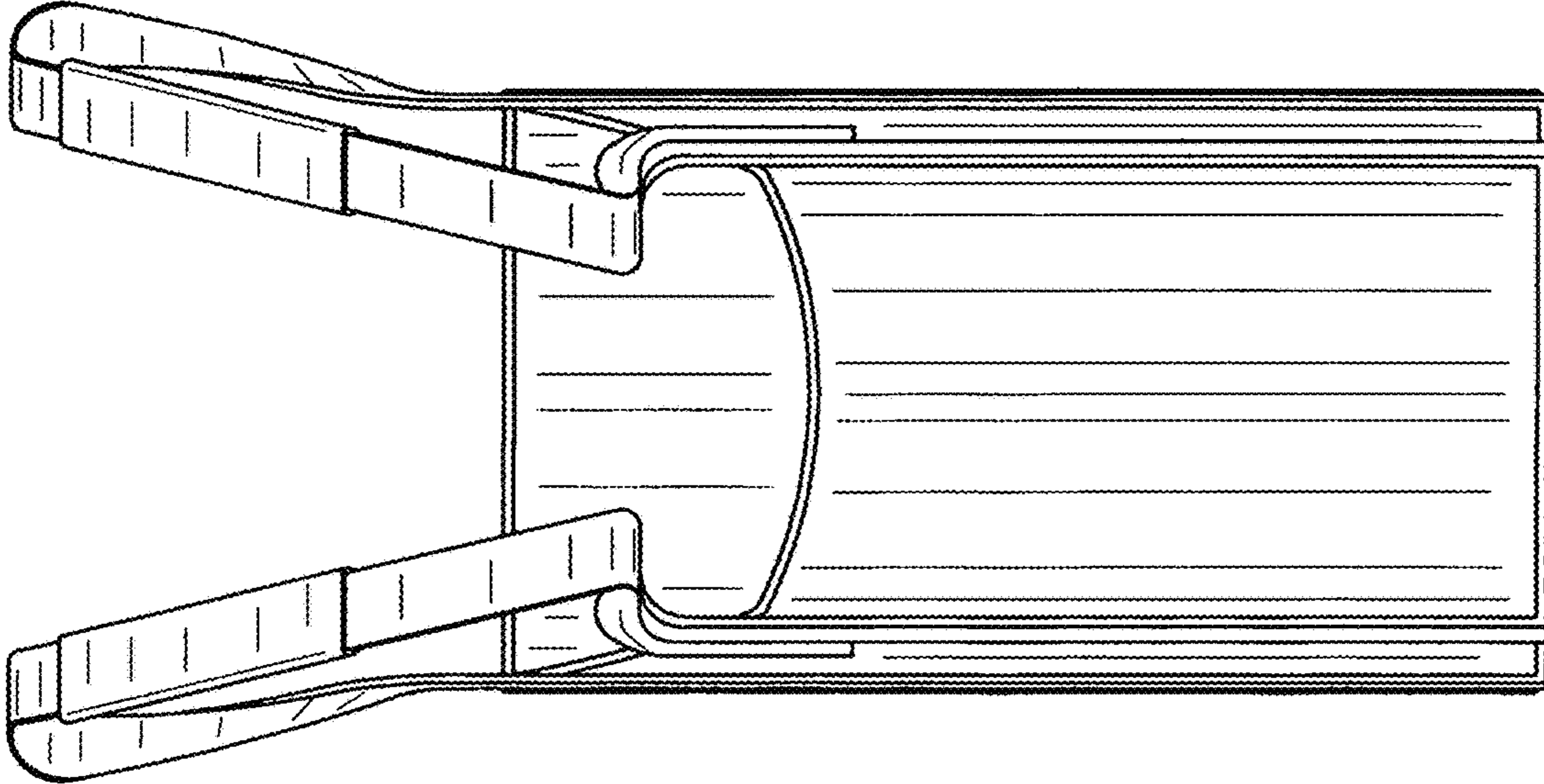


FIG. 2

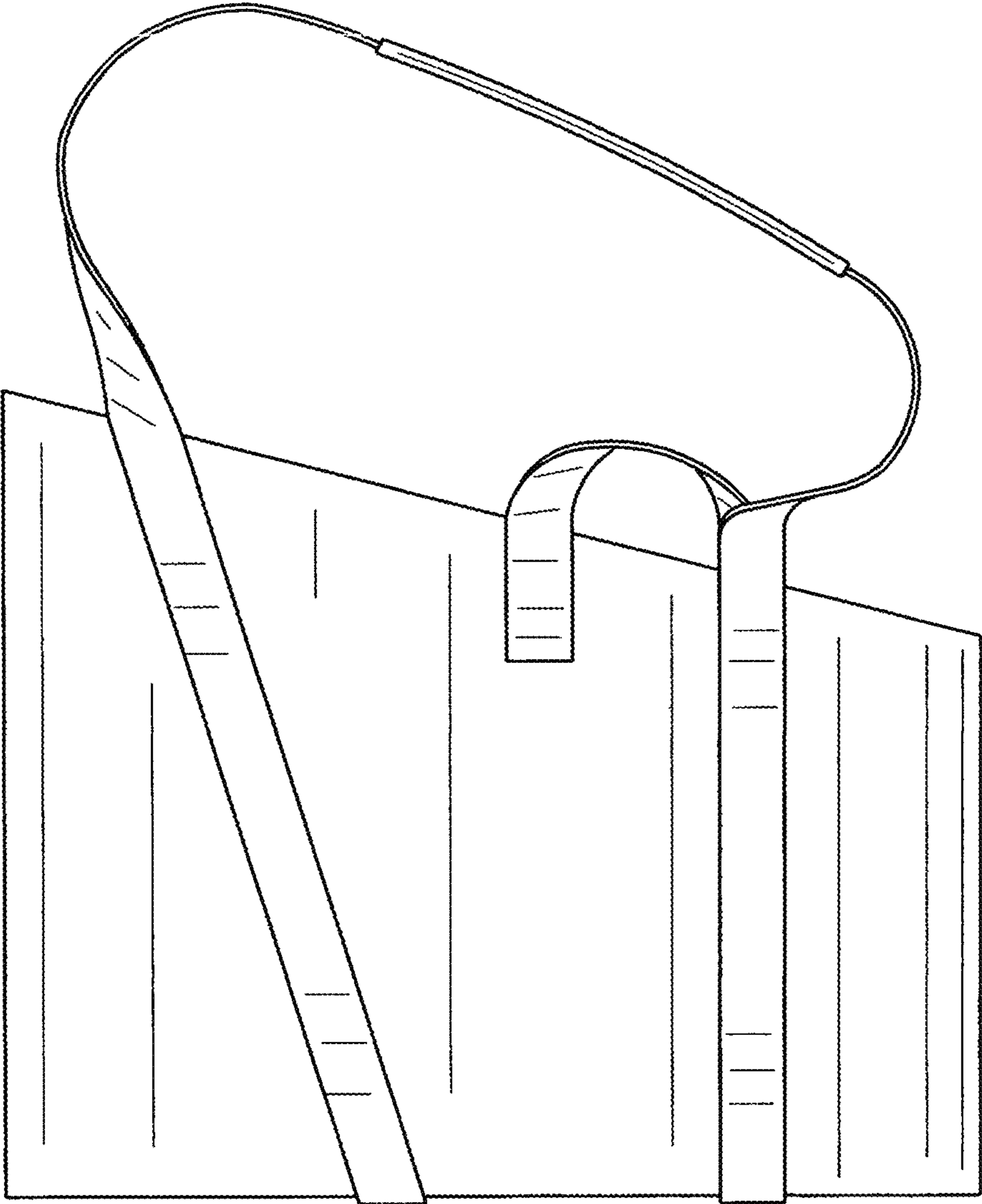


FIG. 4

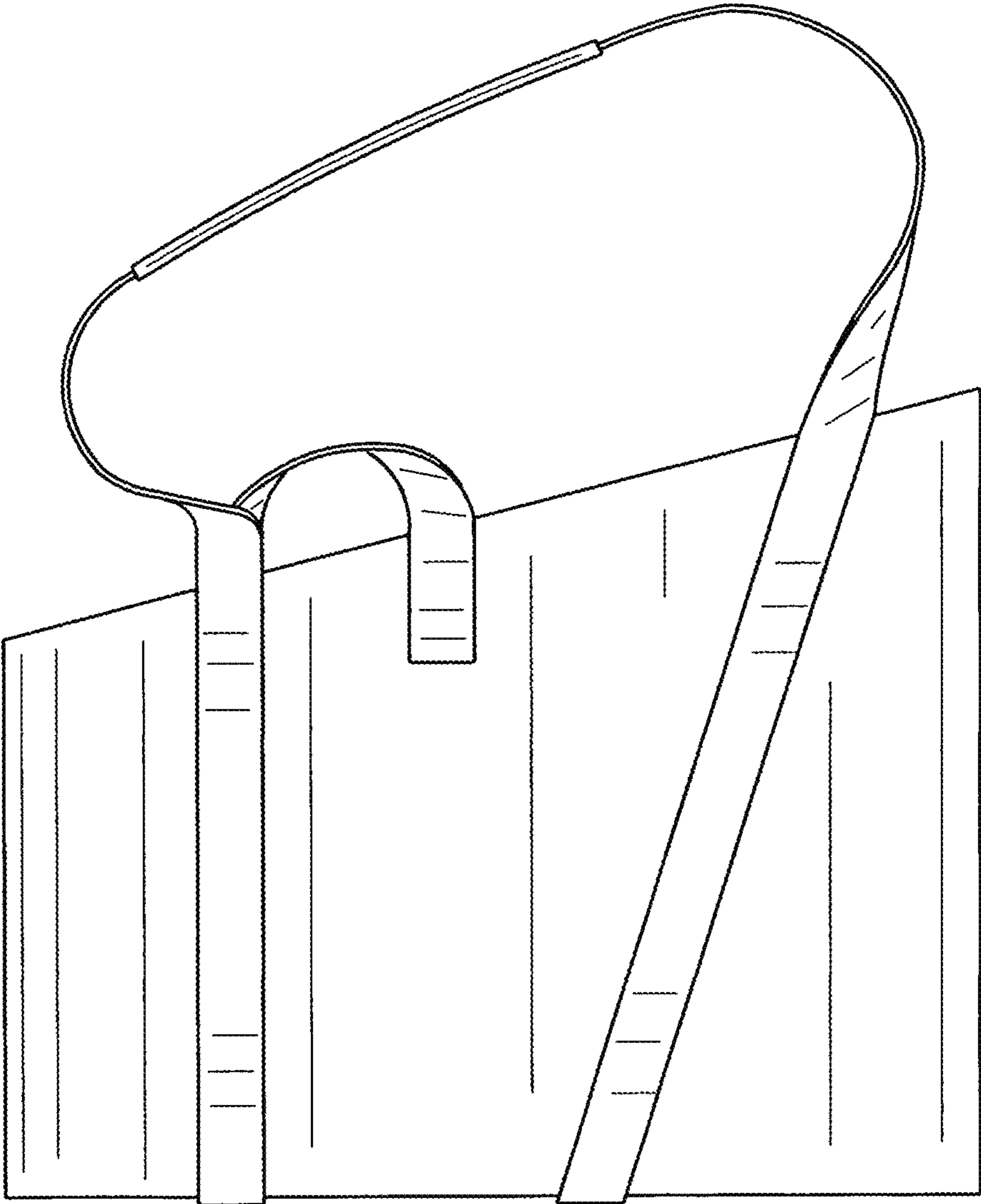


FIG. 5

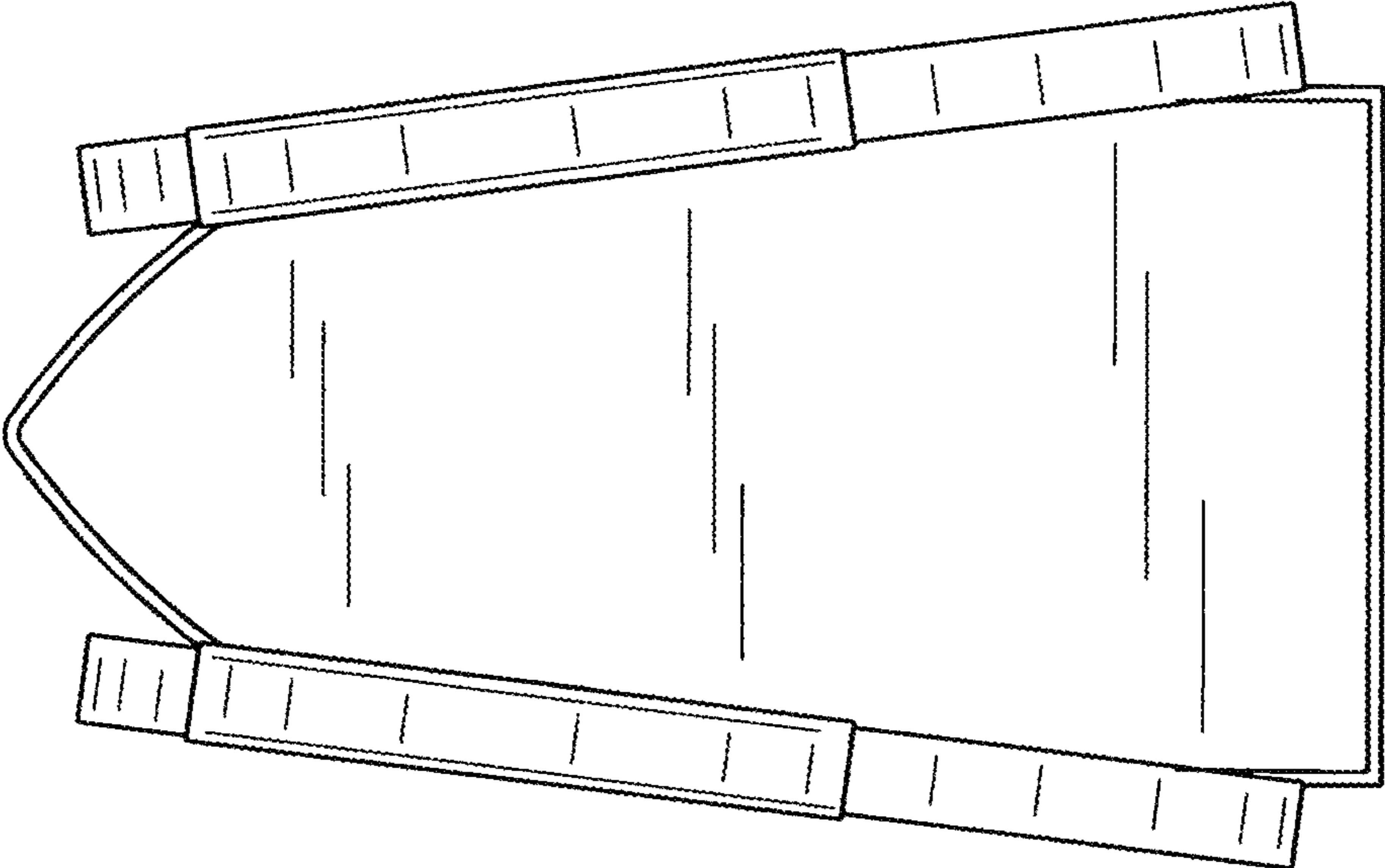


FIG. 6

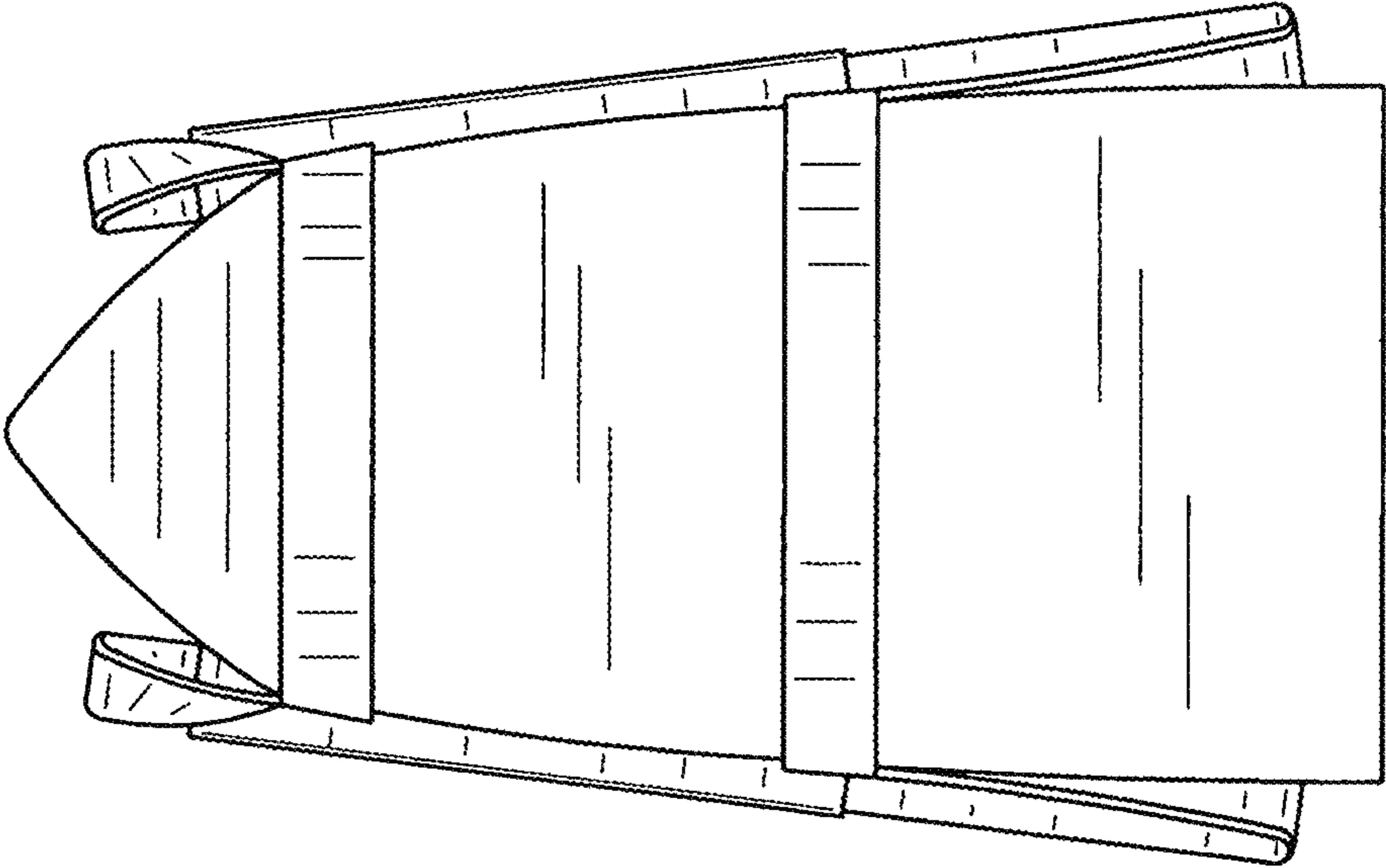


FIG. 7