



US00D925211S

(12) **United States Design Patent** (10) **Patent No.:** **US D925,211 S**
Klinker et al. (45) **Date of Patent:** **** Jul. 20, 2021**

(54) **METAL SHADE**

D247,328 S * 2/1978 Yoshida D3/5
D247,329 S * 2/1978 Yoshida D3/5
4,086,931 A * 5/1978 Hall E04H 15/001
135/98

(71) Applicant: **LANDSCAPE FORMS, INC.**,
Kalamazoo, MI (US)

(Continued)

(72) Inventors: **Thomas S. Klinker**, Bloomfield Hills,
MI (US); **Site Li**, Kalamazoo, MI (US);
Jacob M. Meyers, Mattawan, MI (US)

OTHER PUBLICATIONS

Peak Sun Shade, Landscapeforms.com, <https://www.landscapeforms.com/en-US/product/Pages/Peak-Sun-Shade.aspx> (Year: 2021).*

(Continued)

(73) Assignee: **LANDSCAPE FORMS, INC.**,
Kalamazoo, MI (US)

(**) Term: **15 Years**

Primary Examiner — Steven J Czyz

(21) Appl. No.: **29/713,454**

(74) *Attorney, Agent, or Firm* — Heslin Rothenberg
Farley & Mesiti P.C.

(22) Filed: **Nov. 15, 2019**

(57) **CLAIM**

(51) **LOC (13) Cl.** **03-03**

The ornamental design for a metal shade, as shown and described.

(52) **U.S. Cl.**

USPC **D3/5**

(58) **Field of Classification Search**

USPC D3/5, 6, 10
CPC ... A45B 11/00; A45B 2011/005; A45B 15/00;
A45B 17/00; A45B 2017/005; A45B
19/00; A45B 2019/001; A45B 2019/004;
A45B 2019/026; A45B 19/08; A45B
23/00; A45B 2023/0006; A45B
2023/0012; A45B 2023/0025; A45B
2023/0031; A45B 2023/0093; A45B
25/00; A45B 25/18; A45B 25/20; A45B
25/22

See application file for complete search history.

DESCRIPTION

This application is related to commonly assigned, co-pending design patent application Ser. No. 29/713,450, filed on Nov. 15, 2019 by Klinker et al. and entitled “Metal Shade”, and is related to commonly assigned, co-pending design patent application Ser. No. 29/713,456, filed on Nov. 15, 2019 by Klinker et al. and entitled “Metal Shade”, which applications are hereby incorporated herein by reference in their entirety.

FIG. 1 is a top perspective view of a metal shade in accordance with the new design;

FIG. 2 is a bottom perspective view thereof;

FIG. 3 is a front elevational view thereof;

FIG. 4 is a right side elevational view thereof;

FIG. 5 is a left side elevational view thereof;

FIG. 6 is a rear elevational view thereof;

FIG. 7 is a top view thereof; and,

FIG. 8 is a bottom view thereof.

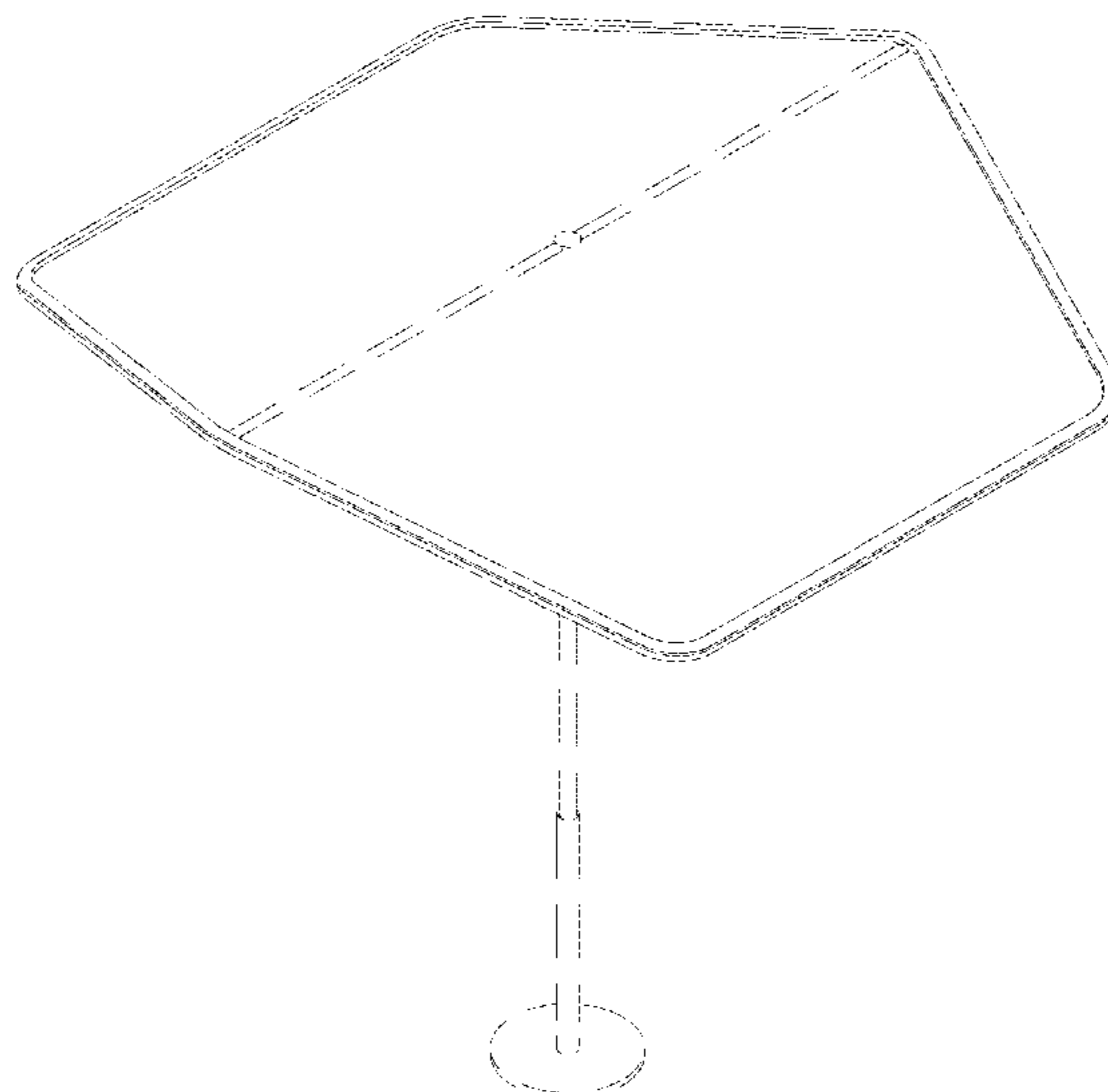
The broken lines in the drawings illustrate portions of the metal shade which form no part of the claimed design.

(56) **References Cited**

U.S. PATENT DOCUMENTS

574,235 A * 12/1896 Bennitt et al. A45B 11/00
135/88.04
2,679,256 A * 5/1954 Bocchino A45B 19/02
135/20.2
3,361,145 A * 1/1968 Jones A45B 19/02
135/20.2
D229,124 S * 11/1973 Turner et al. D3/5

1 Claim, 8 Drawing Sheets



(56)

References Cited

U.S. PATENT DOCUMENTS

D255,958	S *	7/1980	Browning	D25/56	D664,792	S *	8/2012	Gustafson	D6/692.3
D260,322	S *	8/1981	Williams	D3/5	D665,569	S *	8/2012	Ketcher	D3/5
4,312,371	A *	1/1982	Koon	A45B 11/00	D668,443	S *	10/2012	Sims, II	D3/5
						D689,705	S *	9/2013	Gustafson	D6/353
						8,550,099	B2 *	10/2013	Essex	A45B 23/00
											135/33.2
D265,862	S *	8/1982	Caldwell	D3/5	D707,037	S *	6/2014	Tetsuro	D3/5
D373,465	S *	9/1996	Chipman	135/33.2	D718,558	S *	12/2014	Chipman	D6/692.3
D373,466	S *	9/1996	Chipman	135/33.2	D759,367	S *	6/2016	Zaccaro	D3/5
D373,467	S *	9/1996	Chipman	135/33.2	D765,387	S *	9/2016	Chow	D3/5
5,787,914	A *	8/1998	Greywall	A01M 31/02	D767,923	S	10/2016	Cochran et al.		
						D791,467	S *	7/2017	Neuman	D3/5
						D811,719	S *	3/2018	Weng	D3/5
						D857,372	S *	8/2019	Van Puyvelde	D3/10
D410,142	S *	5/1999	Chipman	D3/5	10,376,069	B2 *	8/2019	Scrone-Smith	A47C 1/12
D412,993	S *	8/1999	Chipman	E04H 15/001	D881,549	S *	4/2020	Pashandi	D3/5
						10,694,823	B2 *	6/2020	Aubry	A45B 25/02
						D899,762	S *	10/2020	Holbrook	D3/5
D413,394	S *	8/1999	Chipman	H01M 50/213	D900,463	S *	11/2020	Aubry	D3/5
						10,925,360	B1 *	2/2021	Schwiebert	A45B 19/04
D415,573	S *	10/1999	Chipman	D25/56	2014/0028242	A1 *	1/2014	Akin	H01M 50/213
D420,812	S *	2/2000	Chipman	D6/335						320/101
D421,132	S *	2/2000	Chipman	D25/56						
6,068,008	A *	5/2000	Caldwell	A45B 23/00						
D429,000	S *	8/2000	Chipman	D25/56						
6,116,256	A *	9/2000	Pawsey	A45B 19/00						
D432,665	S *	10/2000	Chipman	D25/56						
D471,003	S *	3/2003	Naylor	D3/5						
D475,524	S *	6/2003	Clarke	D3/5						
D484,677	S *	1/2004	Austin	D3/5						
D491,348	S *	6/2004	Clarke	D3/5						
D497,478	S *	10/2004	Clarke	D3/5						
6,941,958	B1 *	9/2005	Sobek	A45B 19/02						
D513,117	S *	12/2005	Raede	D3/5						
D516,294	S *	3/2006	Olson	D3/5						
D546,551	S *	7/2007	de Oliveira Santos	D3/5						
D559,528	S *	1/2008	Clarke	D3/10						
D562,989	S *	2/2008	Chipman	D25/56						

OTHER PUBLICATIONS

Klinker et al., Design U.S. Appl. No. 29/713,450, entitled "Metal Shade", filed Nov. 15, 2019.
Klinker et al., Design U.S. Appl. No. 29/713,456, entitled "Metal Shade", filed Nov. 15, 2019.
Disc Umbrella, Landscapeformns.com, <https://www.landscapeformns.com/en-US/product/Pages/Disc-Sun-Shade.aspx> (Year: 2021).
Kay Park Fiberglass Umbrella, picnictablesupplier.com, <https://www.picnictablesupplier.com/umbrella-round-fiberglass> (Year: 2021).
Student Project | Landscape as Laboratory: Umbrellas | Taylor Becker, worldlandscapearchitect.com, https://worldlandscapearchitect.com/student-project-landscape-as-laboratory-umbrellas-taylor-becker/#.YHbod_IKhOR (Year: 2013).

* cited by examiner

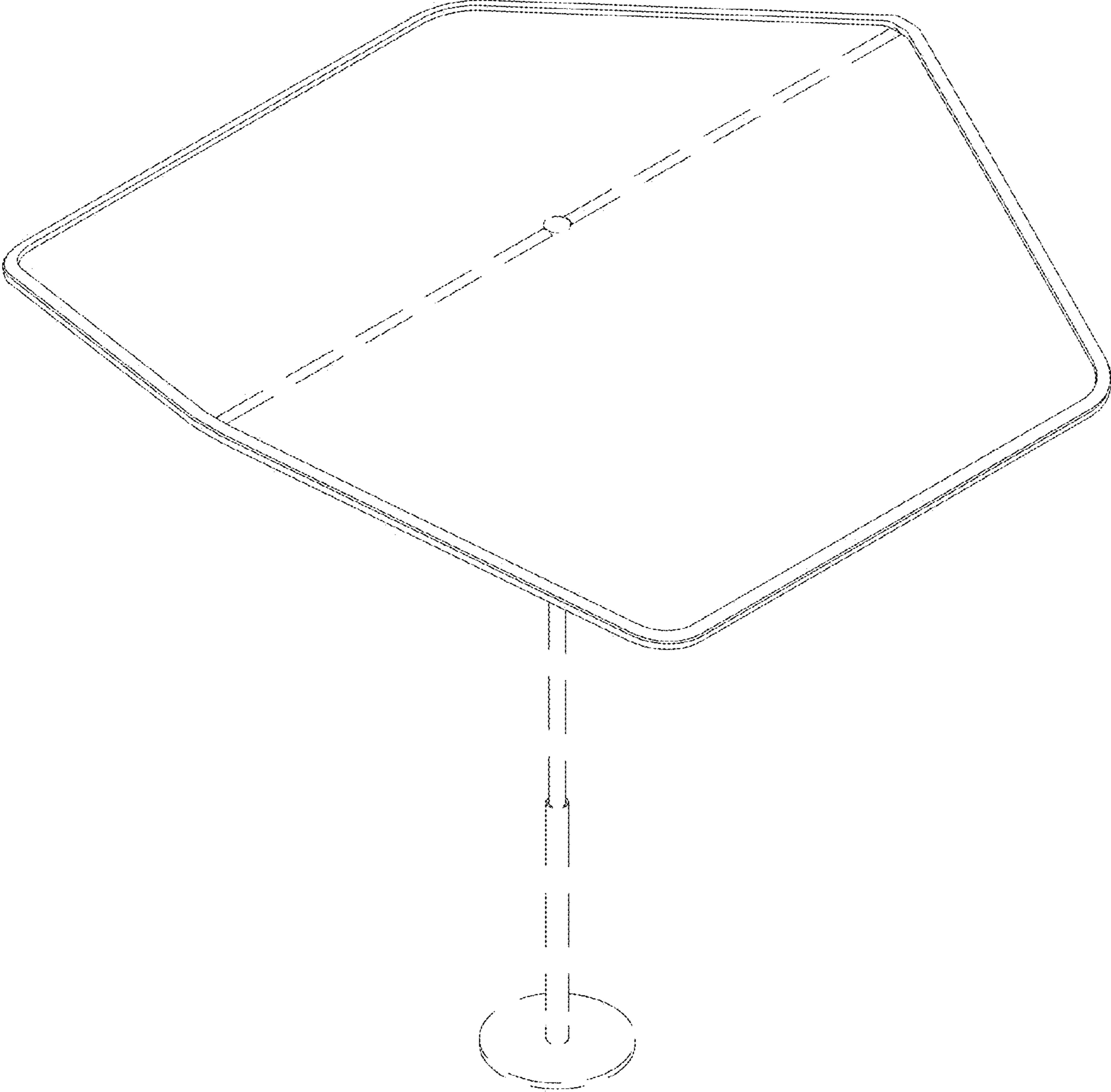


FIG. 1

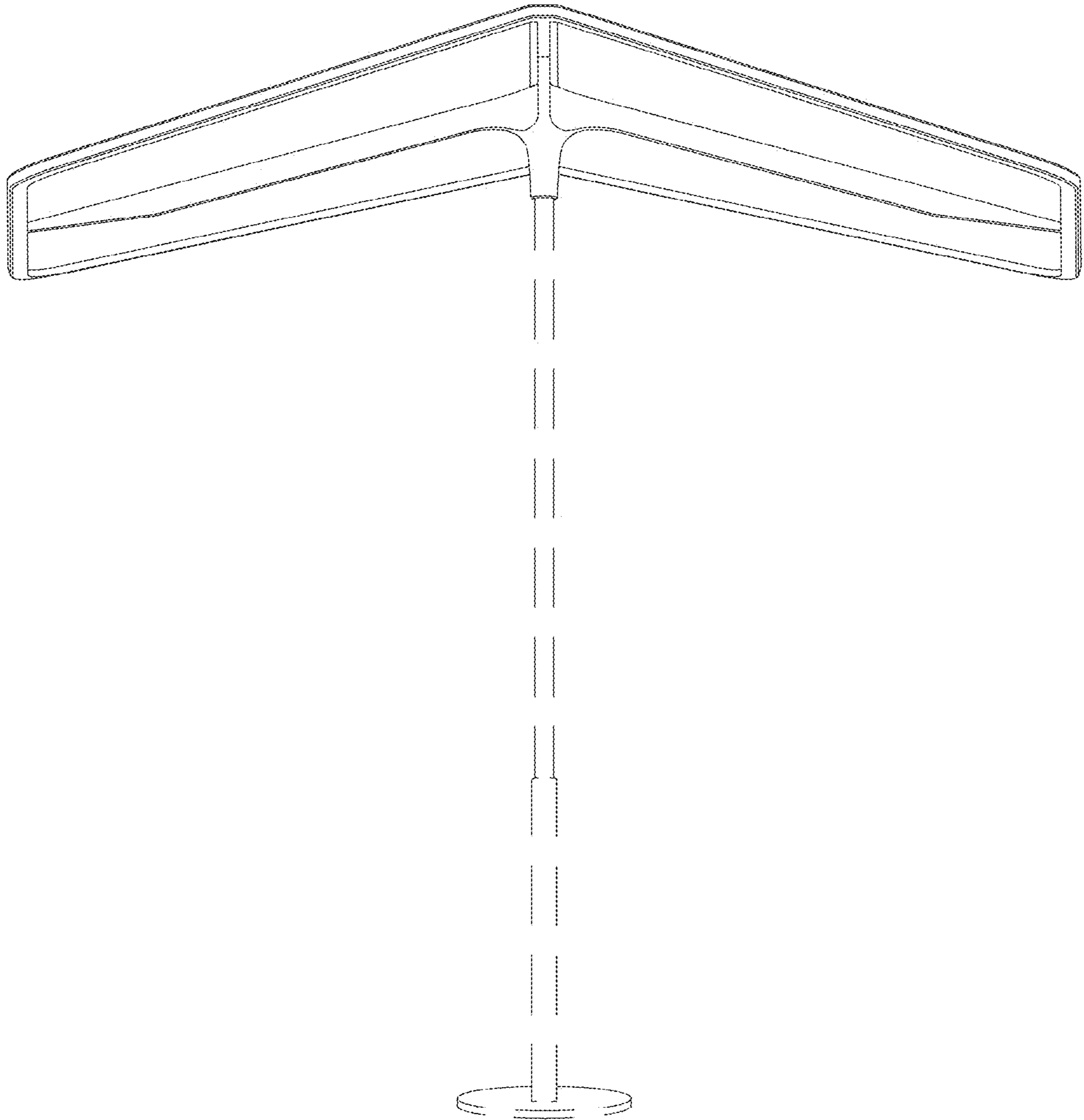


FIG. 2

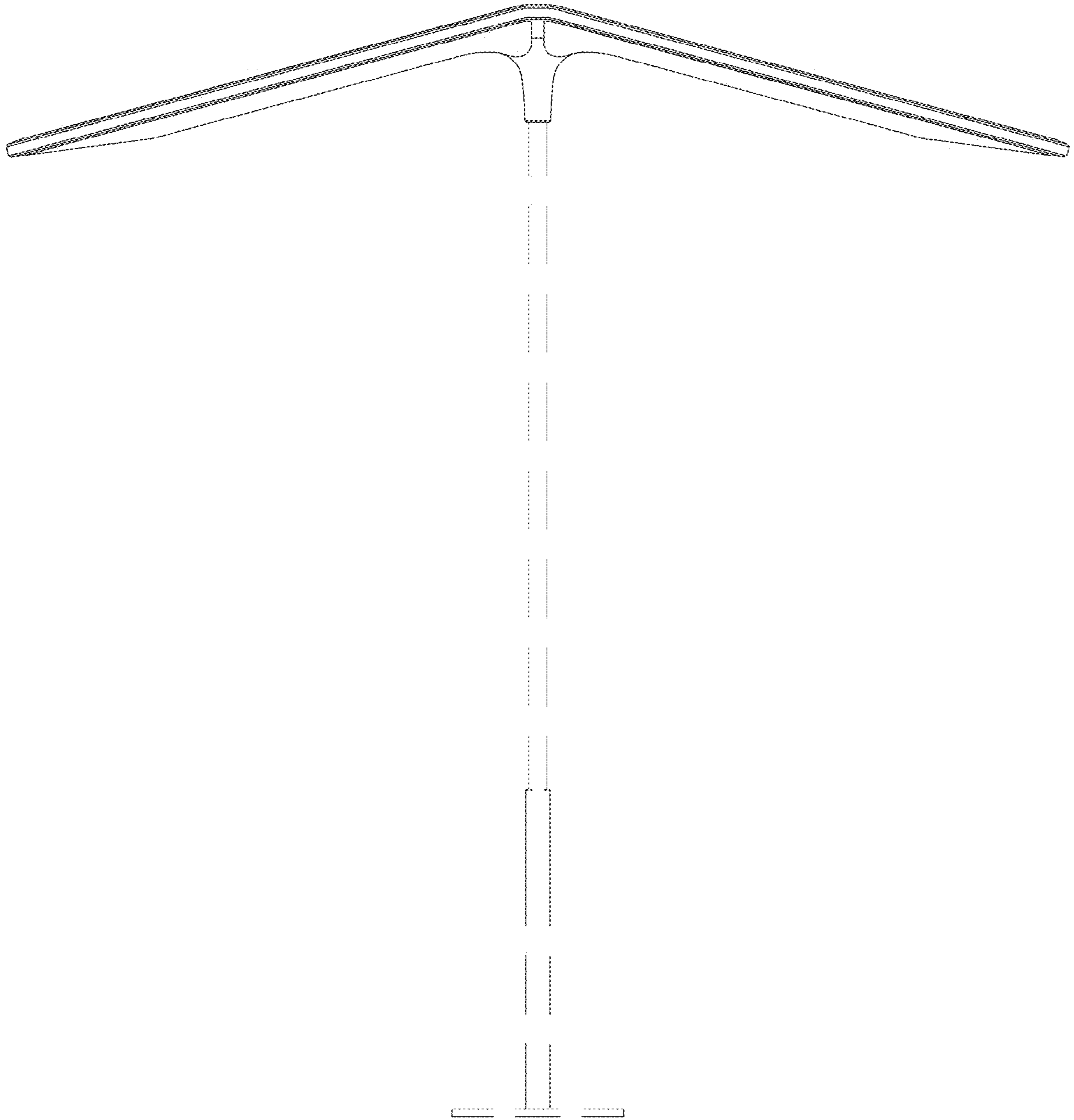


FIG. 3

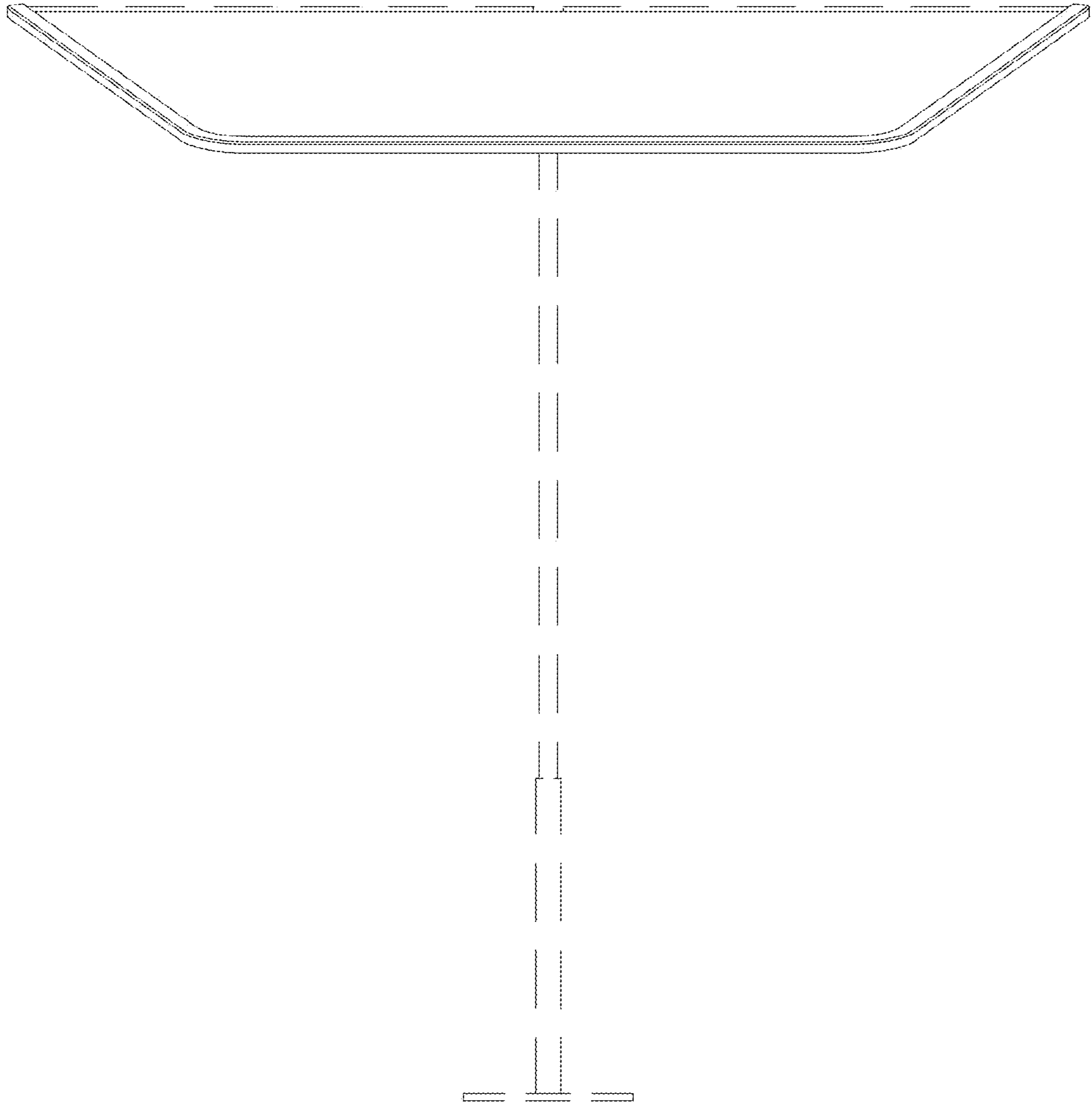


FIG. 4

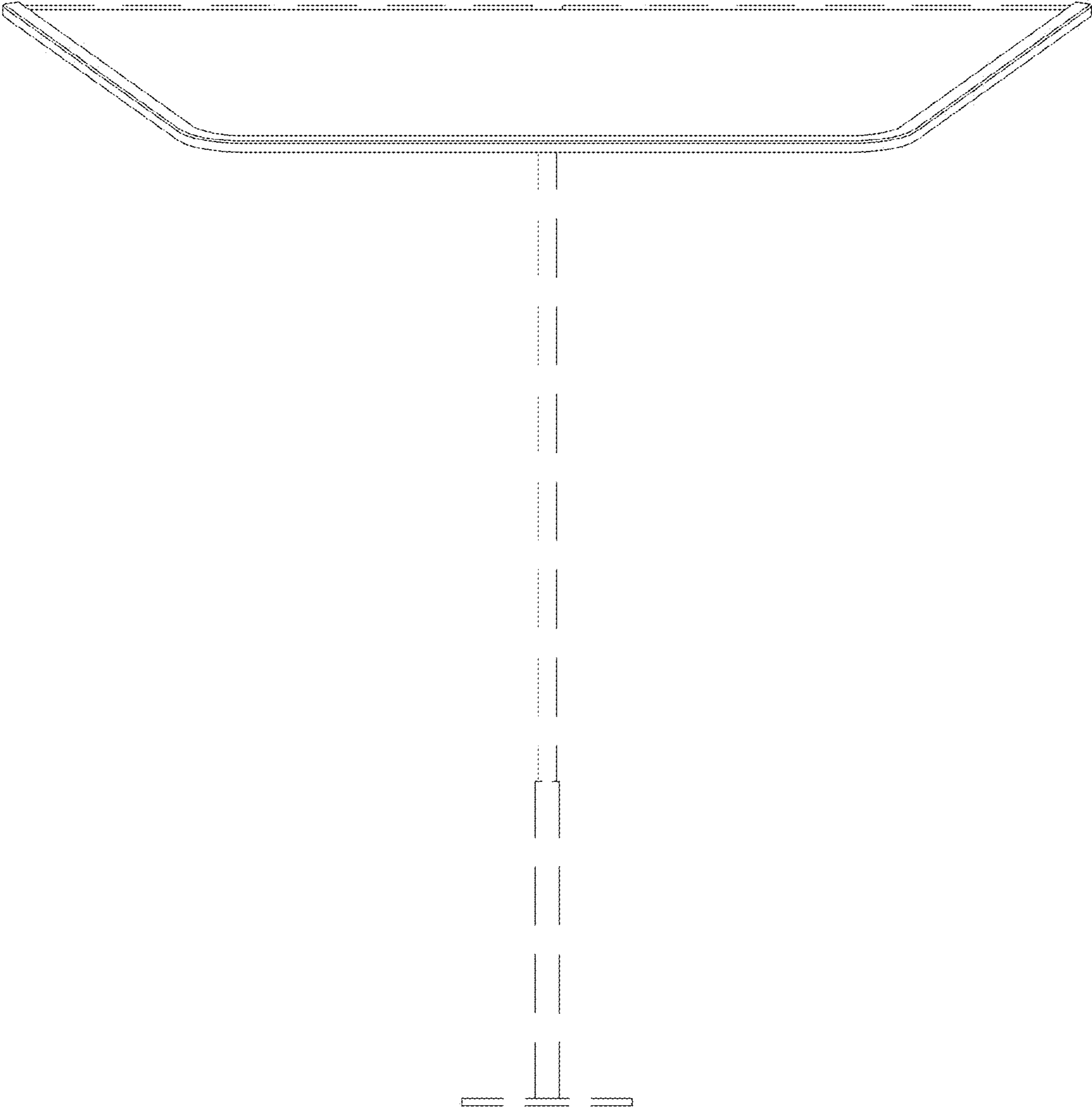


FIG. 5

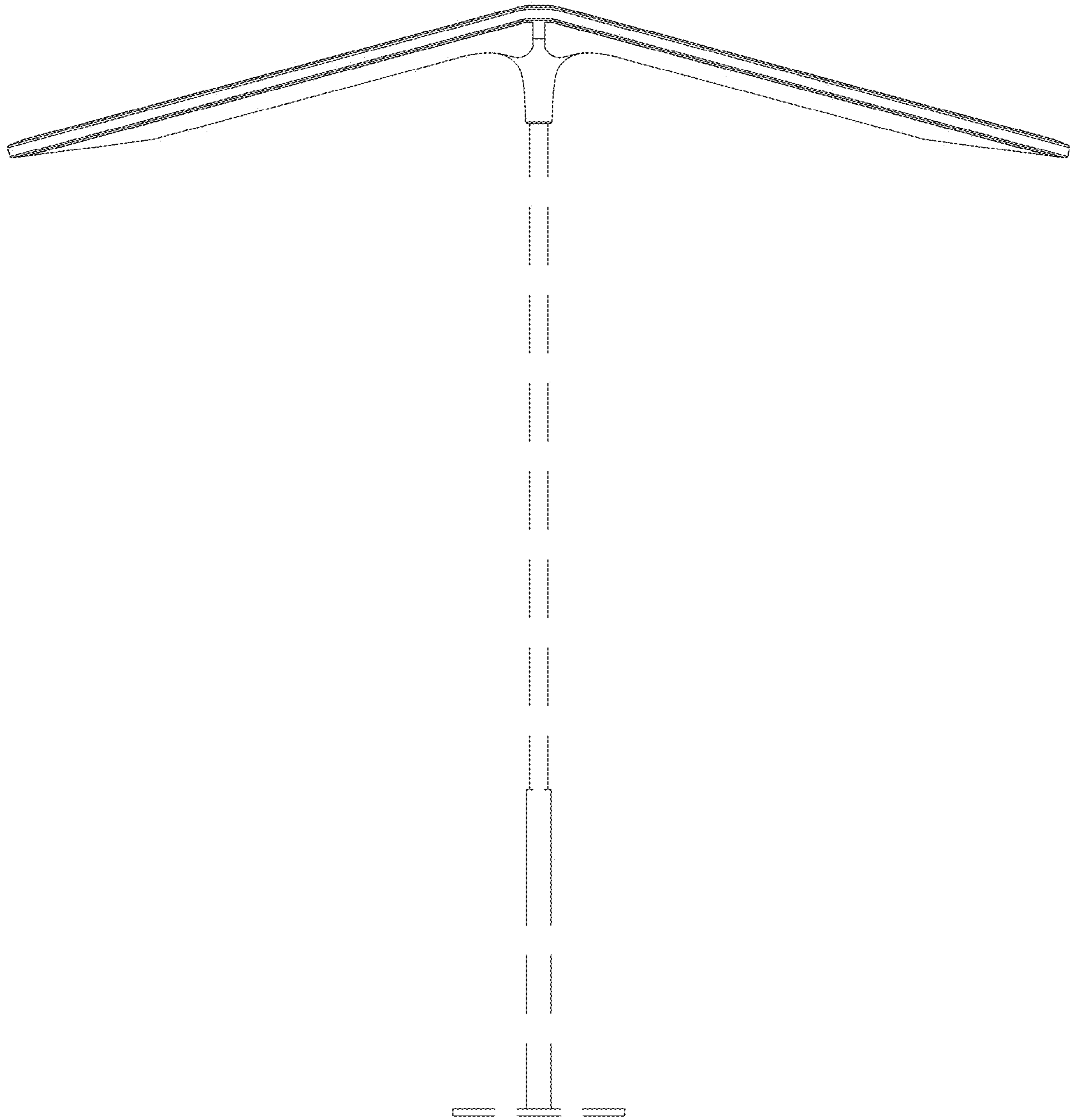


FIG. 6

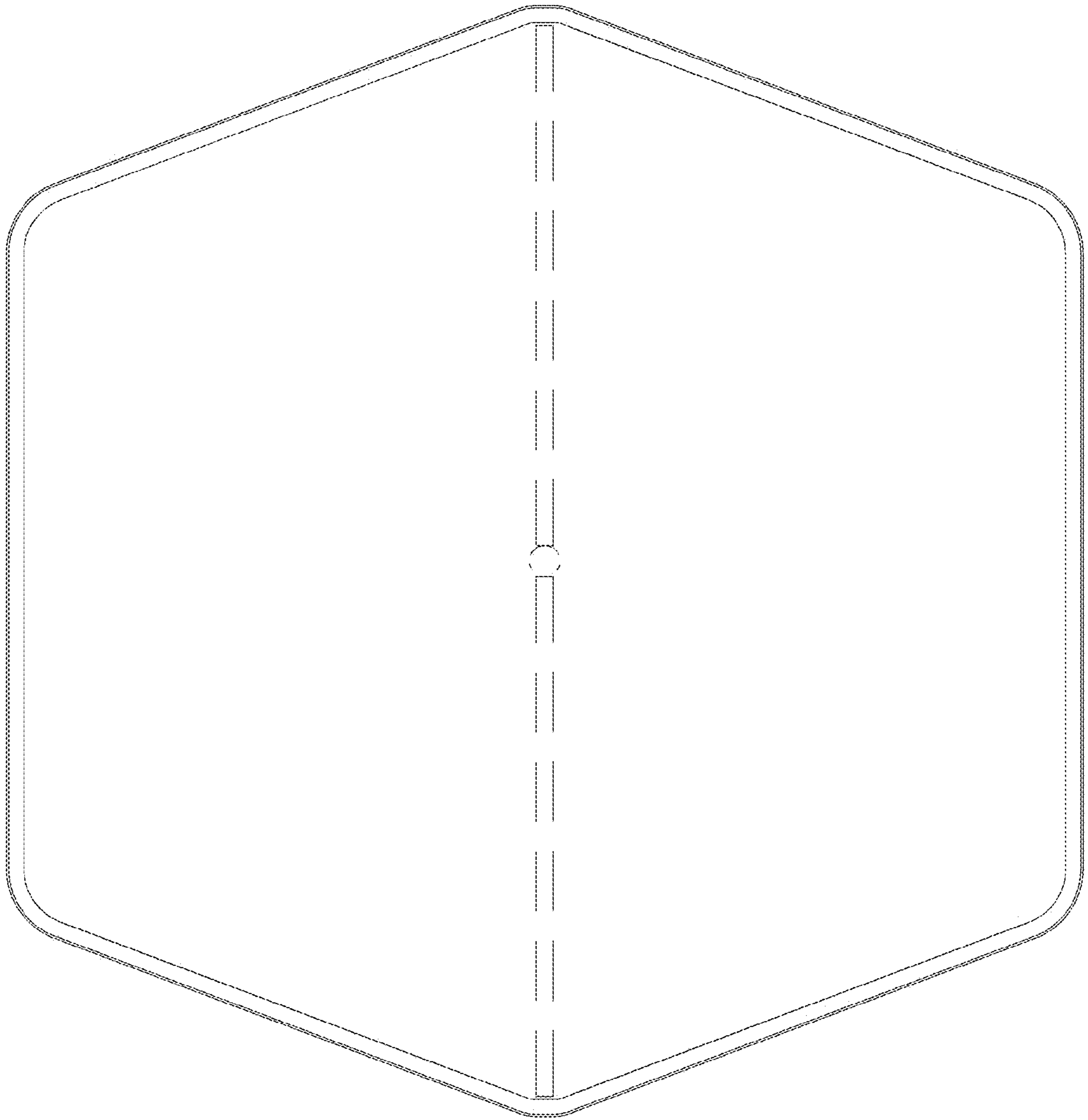


FIG. 7

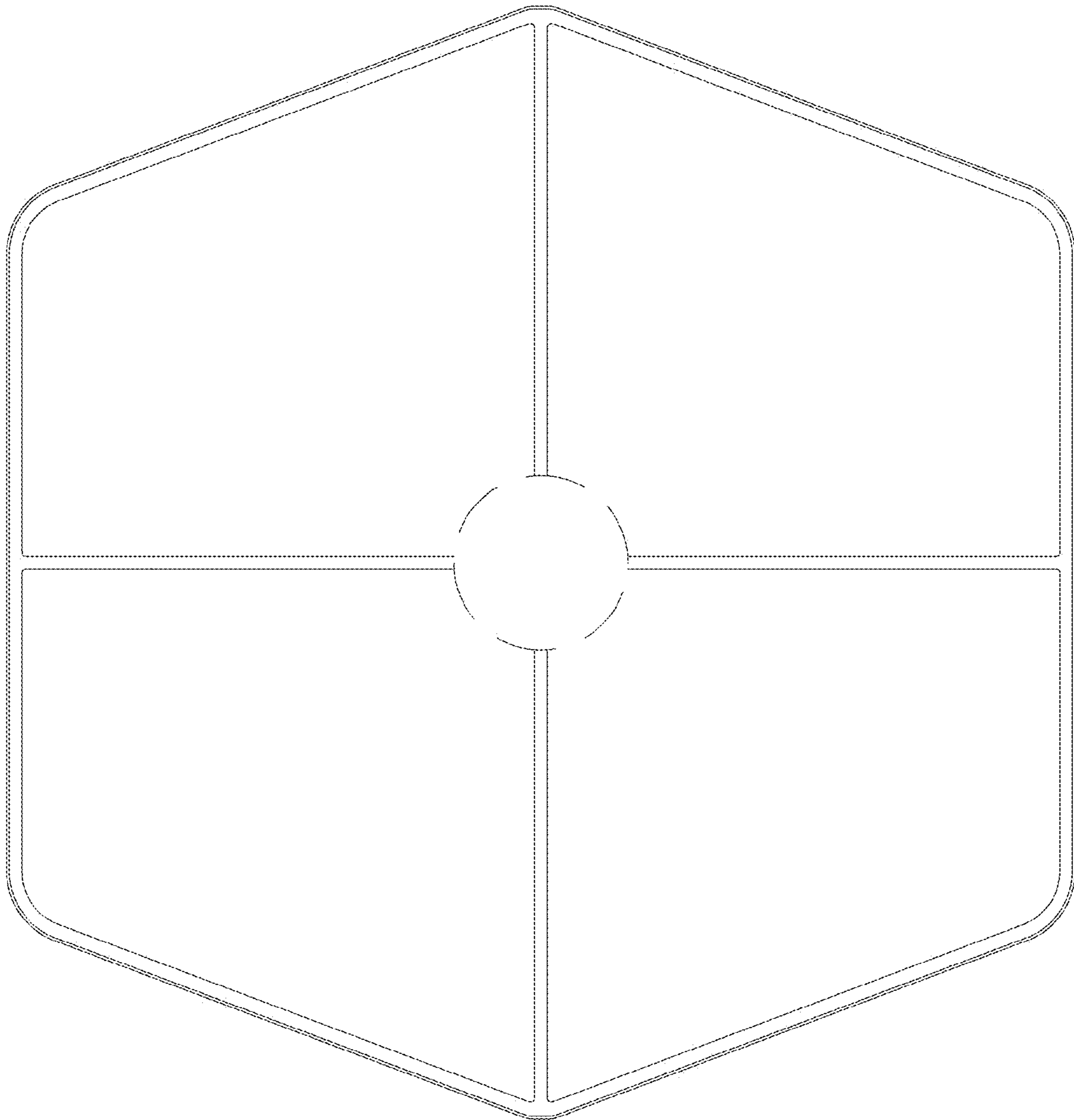


FIG. 8