

US00D925207S

(12) **United States Design Patent**
Scott

(10) **Patent No.:** **US D925,207 S**

(45) **Date of Patent:** **** Jul. 20, 2021**

- (54) **SHOE FASTENER SYSTEM**
- (71) Applicant: **Leonardo Scott**, Cordova (AR)
- (72) Inventor: **Leonardo Scott**, Cordova (AR)
- (73) Assignee: **Lafso, LLC**, New York, NY (US)
- (**) Term: **15 Years**
- (21) Appl. No.: **29/621,720**
- (22) Filed: **Oct. 11, 2017**
- (51) **LOC (13) Cl.** **02-07**
- (52) **U.S. Cl.**
USPC **D2/978**
- (58) **Field of Classification Search**
USPC D2/896-900, 946, 977, 978; D8/394,
D8/396
CPC A44B 17/0023; A43C 9/00; A43C 11/002;
A43C 11/22-24
See application file for complete search history.

D734,605	S	*	7/2015	Van Der Pol	D2/978
D736,514	S	*	8/2015	Lach	D2/978
D752,333	S	*	3/2016	Van Der Pol	D2/978
D776,990	S	*	1/2017	To	D7/683
D797,548	S	*	9/2017	Sola	D2/978
2006/0254089	A1	*	11/2006	Frydlewski	A43C 11/00 36/50.1
2013/0199020	A1	*	8/2013	Frydlewski	A43B 3/0078 29/525.01
2016/0338455	A1	*	11/2016	Chuan	A44B 19/305

- (56) **References Cited**
U.S. PATENT DOCUMENTS
D678,000 S * 3/2013 Lee A44B 19/305
D7/669
D686,909 S * 7/2013 Frydlewski A43B 3/0078
D2/978

OTHER PUBLICATIONS

Google Image Search “ hood latch strap for snowmobile hood”
www.google.com. (Year: 2020).*

* cited by examiner

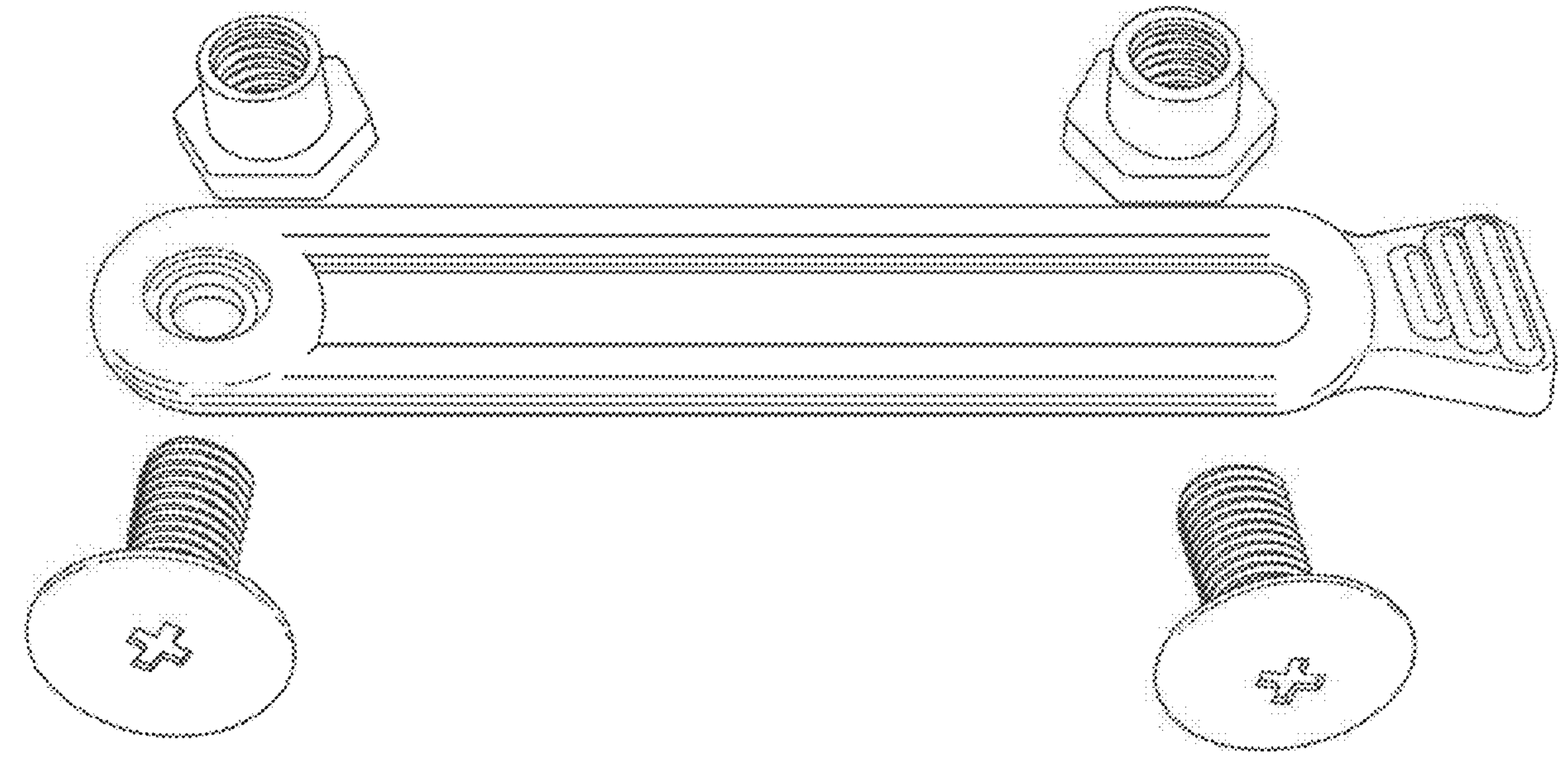
Primary Examiner — Rashida C. Walshon
(74) *Attorney, Agent, or Firm* — Mark C. Johnson;
Johnson Dalal

(57) **CLAIM**
The ornamental design for shoe fastener system, as shown
and described.

DESCRIPTION

FIG. 1 is a top perspective view of a shoe fastener system,
showing my new design; and,
FIG. 2 is another top perspective view of the shoe fastener
system, with the screw and anchoring head assembled.

1 Claim, 2 Drawing Sheets



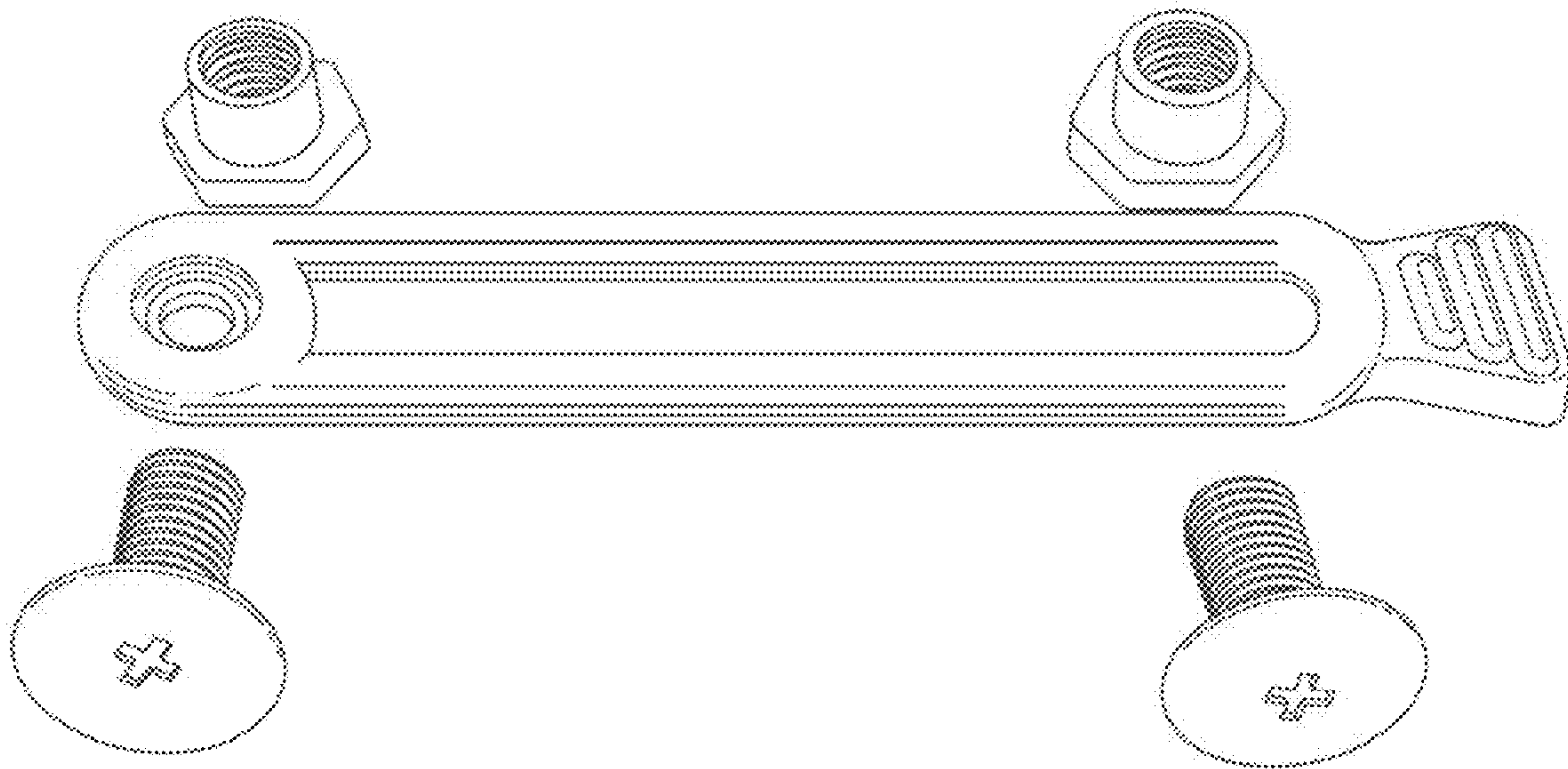


FIG.1

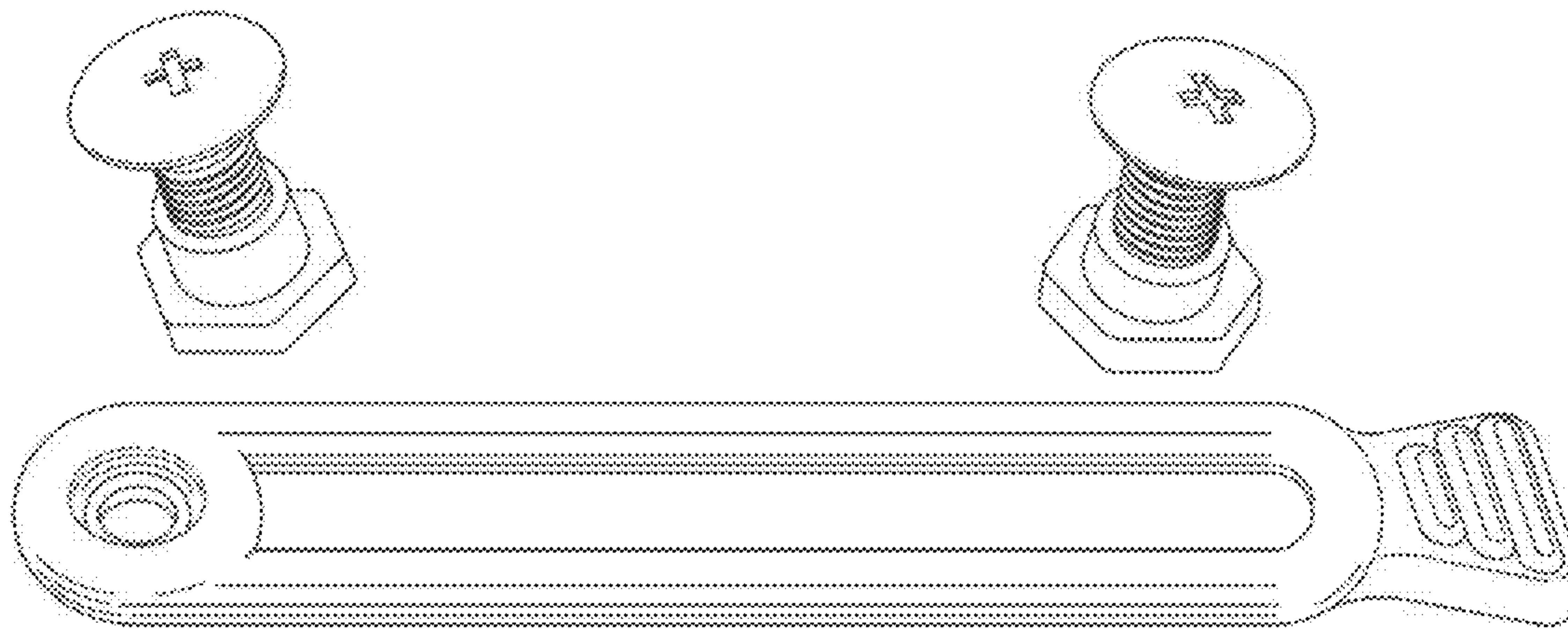


FIG.2