



US00D925183S

(12) **United States Design Patent** (10) **Patent No.:** **US D925,183 S**
Yoo (45) **Date of Patent:** **** Jul. 20, 2021**

(54) **SHOE OUTSOLE BOTTOM**
(71) Applicant: **Skechers U.S.A., Inc. II**, Manhattan Beach, CA (US)
(72) Inventor: **Jin Seok Yoo**, Los Angeles, CA (US)
(73) Assignee: **Skechers U.S.A., Inc. II**, Manhattan Beach, CA (US)
(**) Term: **15 Years**

D248,796 S * 8/1978 Famolare, Jr. D2/950
D257,186 S * 10/1980 Famolare, Jr. D2/950
D257,701 S * 12/1980 Famolare, Jr. D2/950
D280,568 S 9/1985 Stubblefield
4,593,482 A 6/1986 Mayer
D315,634 S 3/1991 Yung-Mao
D399,040 S 10/1998 Merceron
D469,949 S * 2/2003 Koo D2/952
D503,028 S 3/2005 Merceron
D505,537 S * 5/2005 Friedman A43B 13/181
D2/961
D514,288 S 2/2006 Burg
(Continued)

(21) Appl. No.: **29/749,300**
(22) Filed: **Sep. 3, 2020**
(51) **LOC (13) Cl.** **02-04**
(52) **U.S. Cl.**
USPC **D2/953**; D2/947; D2/951
(58) **Field of Classification Search**
USPC D2/902, 906, 908, 916, 918, 925,
D2/946-962, 977; 36/3 B, 22 R, 24.5,
36/25 R, 28, 32 R, 34 R, 59 C, 67 A, 103
CPC A43B 13/00; A43B 13/02; A43B 13/023;
A43B 13/026; A43B 13/04; A43B 13/08;
A43B 13/10; A43B 13/12; A43B 13/14;
A43B 13/141; A43B 13/143; A43B
13/16; A43B 13/18; A43B 13/181; A43B
13/187; A43B 13/189; A43B 13/20; A43B
13/223; A43B 13/24; A43B 13/28; A43B
13/30; A43B 13/32; A43B 13/34; A43B
13/36
See application file for complete search history.

FOREIGN PATENT DOCUMENTS

CN 202588476 U 12/2012
CN 204105002 U 1/2015
(Continued)

Primary Examiner — T Chase Nelson
(74) Attorney, Agent, or Firm — Marshall A. Lerner;
Marvin H. Kleinberg; Kleinberg & Lerner, LLP

(57) **CLAIM**

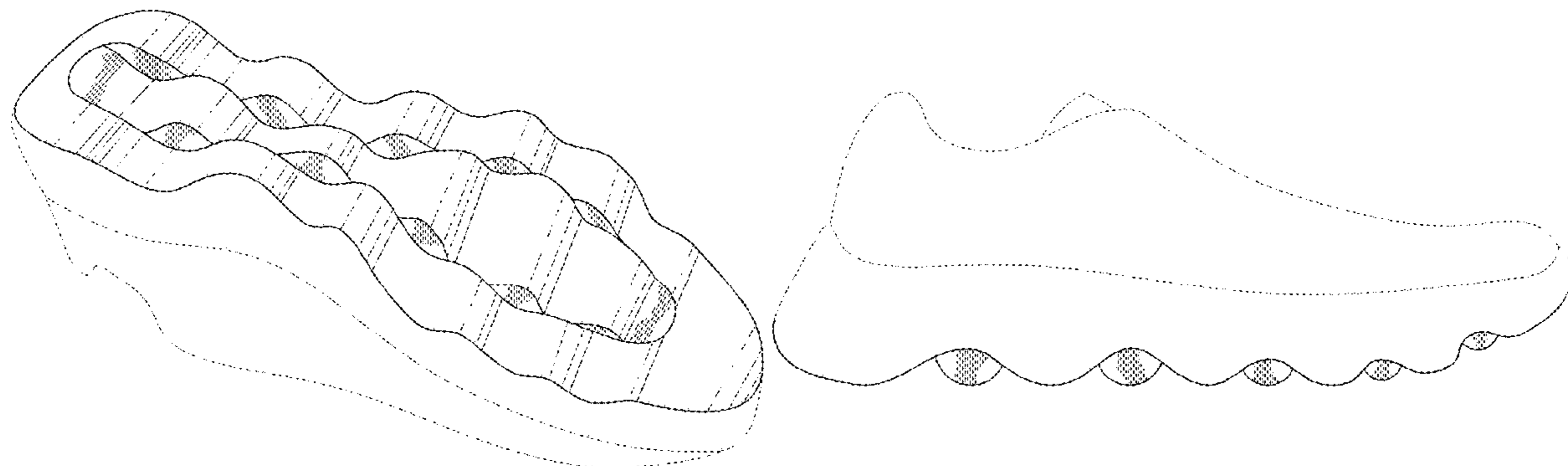
The ornamental design for a shoe outsole bottom, as shown and described.

DESCRIPTION

FIG. 1 is a perspective view of a shoe outsole bottom in accordance with my new design;
FIG. 2 is a left side elevation view thereof;
FIG. 3 is a right side elevation view thereof;
FIG. 4 is a top plan view thereof;
FIG. 5 is a bottom plan view thereof;
FIG. 6 is a front elevation view thereof; and,
FIG. 7 is a rear elevation view thereof.

The broken lines shown in the drawings represent portions of the shoe upper, midsole periphery, and outsole bottom that form no part of the claimed design. The surfaces devoid of shading lines are not claimed.

1 Claim, 6 Drawing Sheets



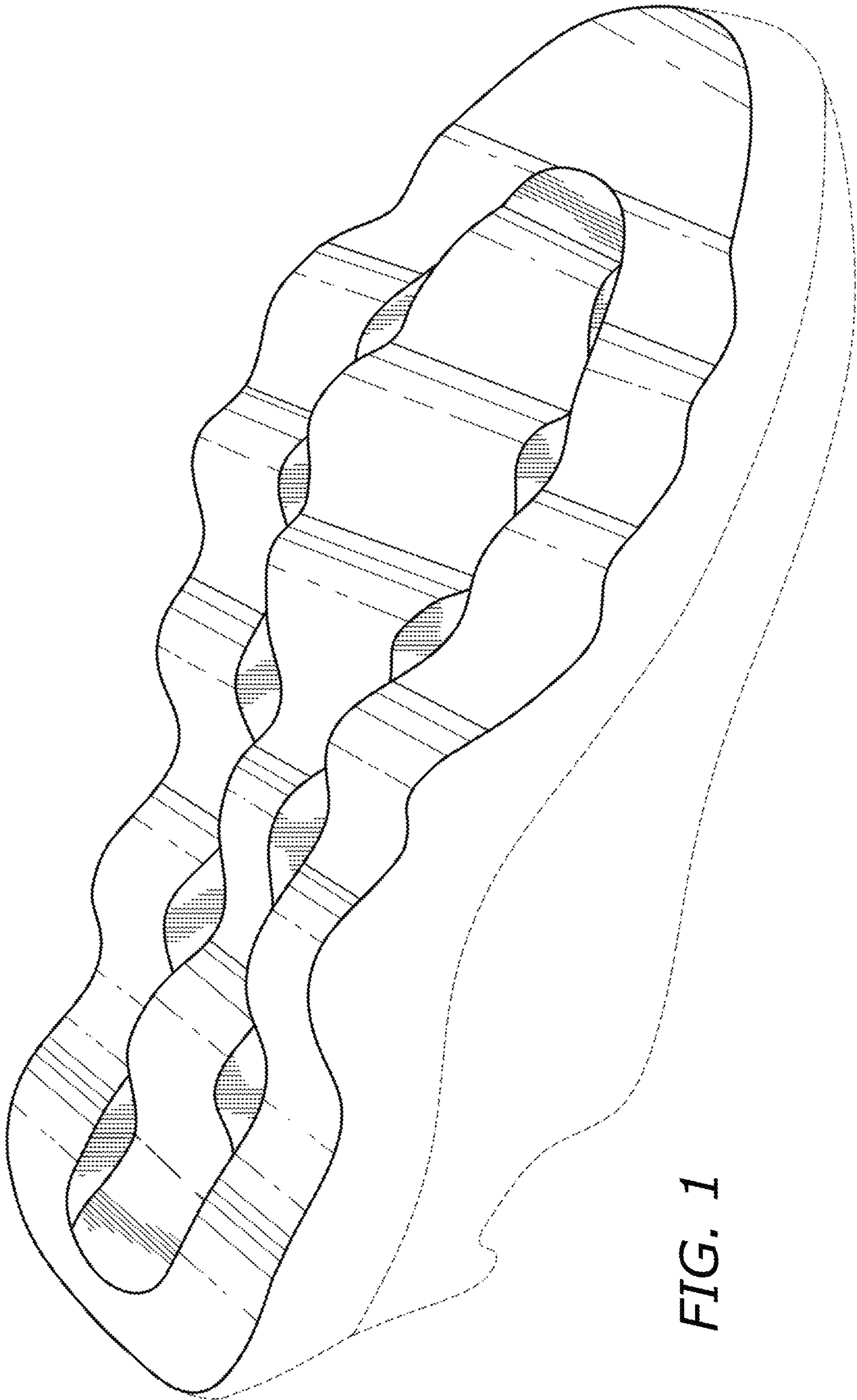


FIG. 1

FIG. 2

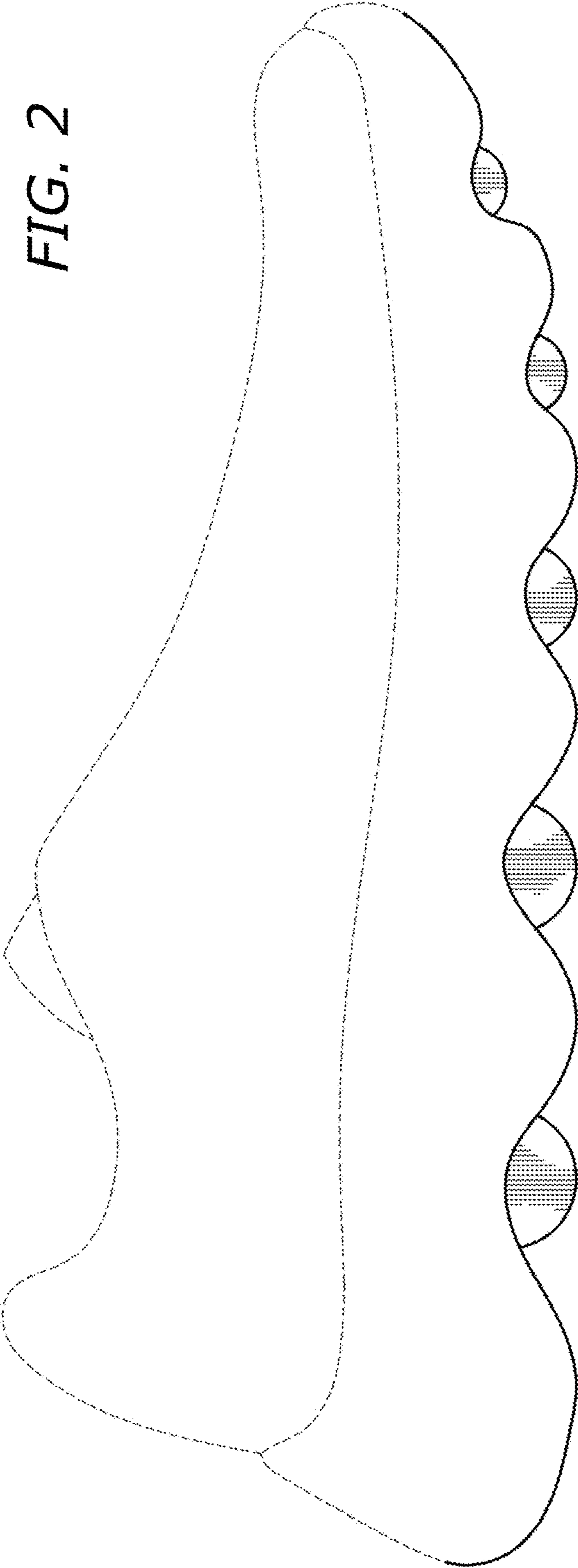
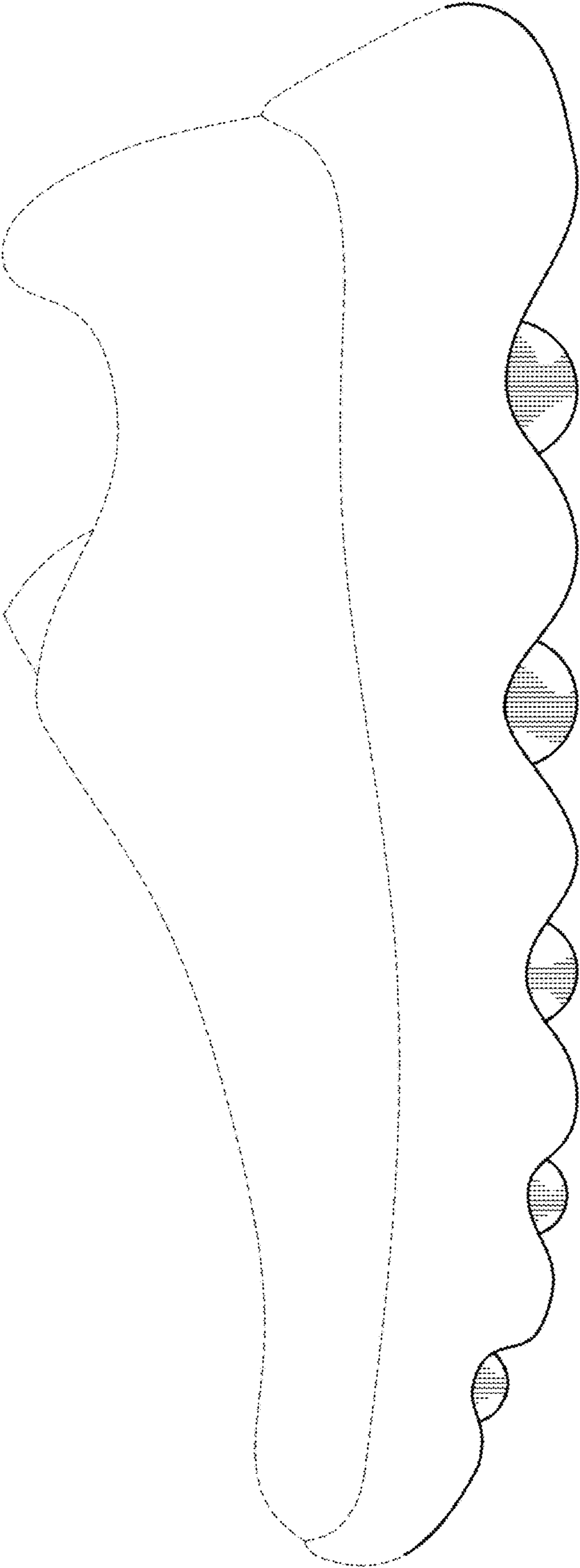


FIG. 3



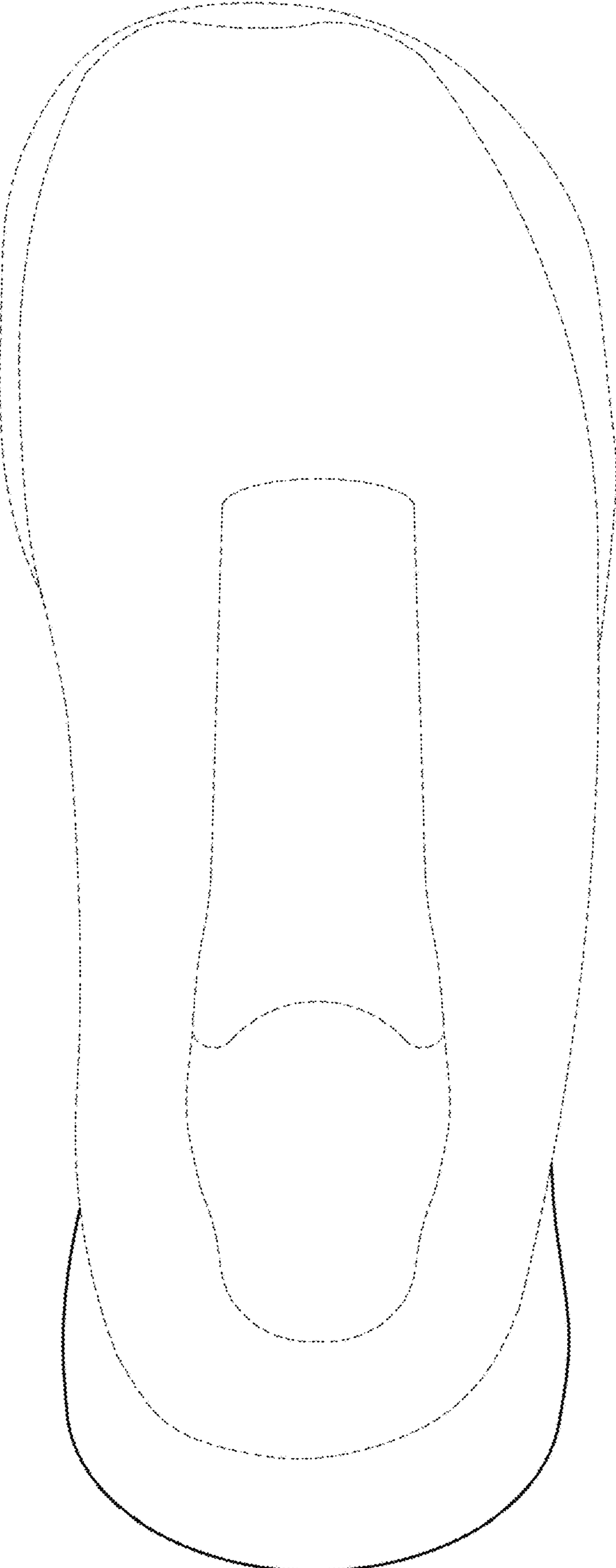


FIG. 4

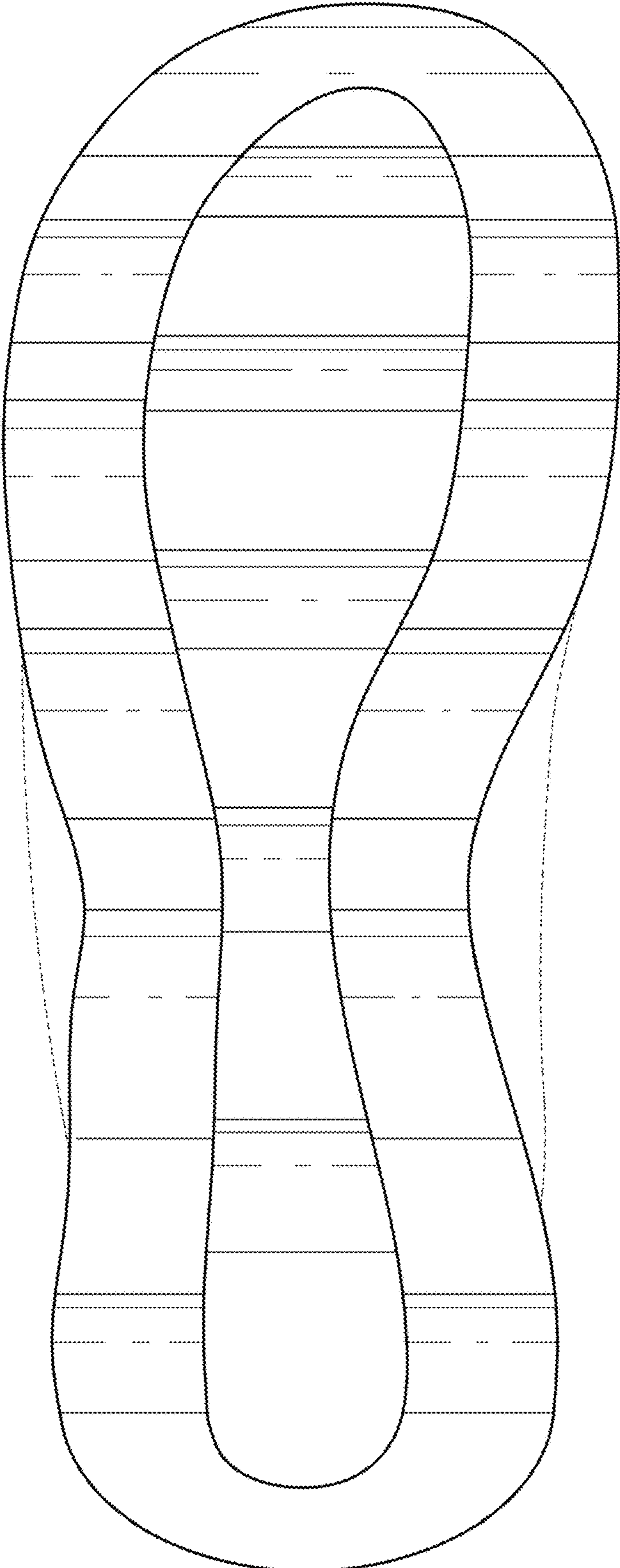


FIG. 5

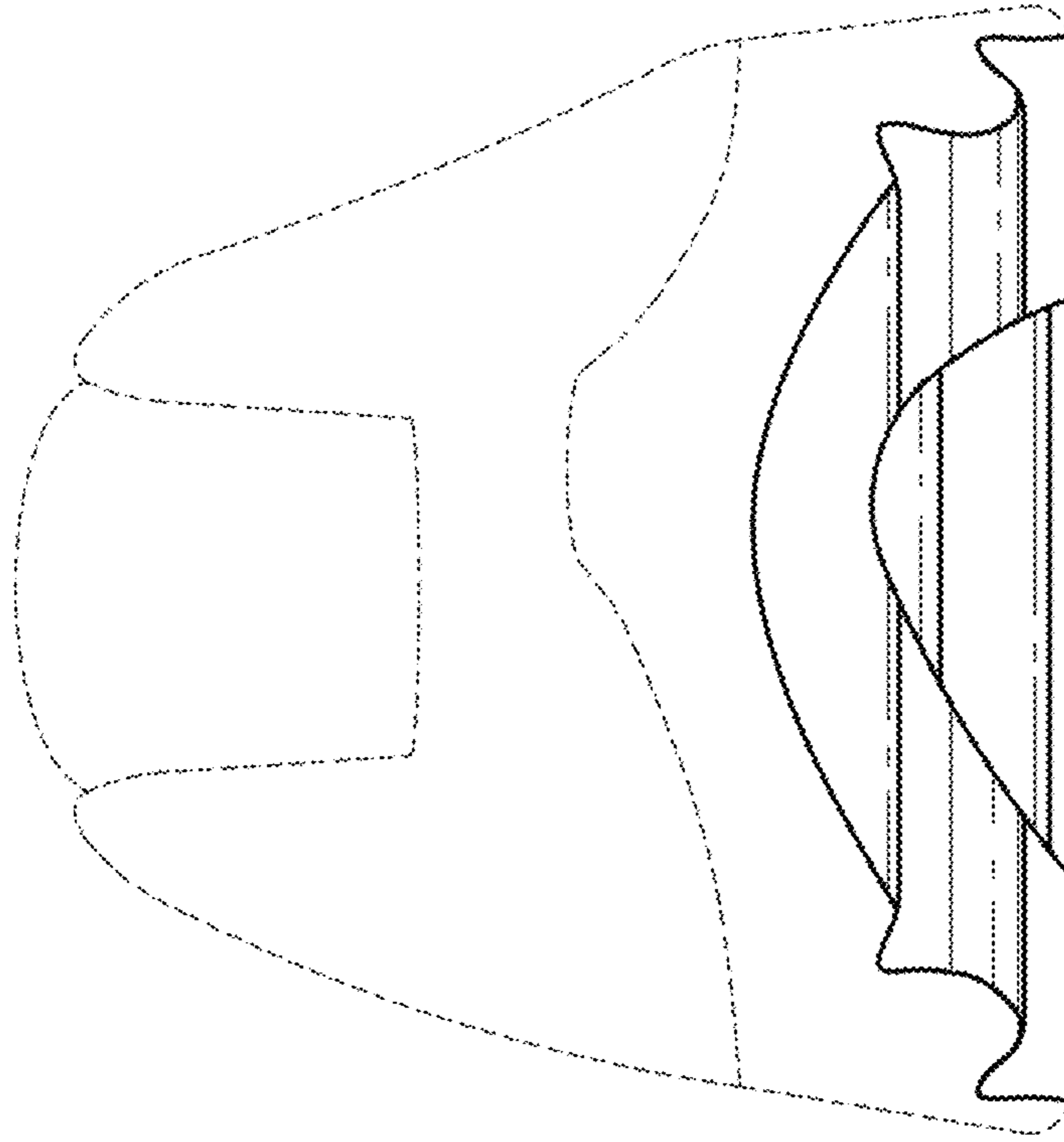


FIG. 7

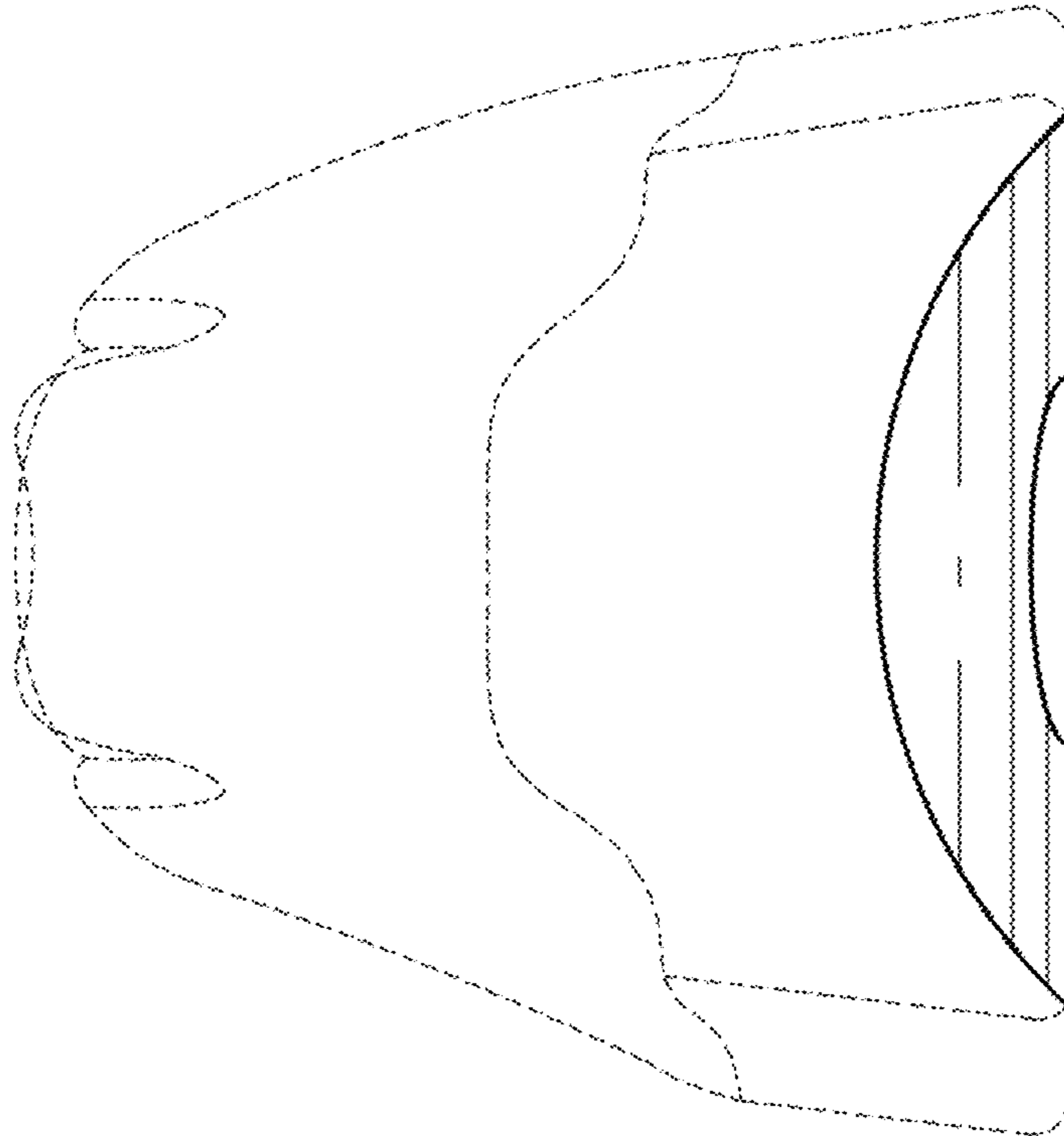


FIG. 6