



US00D925167S

(12) **United States Design Patent** (10) **Patent No.:** **US D925,167 S**
Picco (45) **Date of Patent:** **** Jul. 20, 2021**

(54) **BRA**

FOREIGN PATENT DOCUMENTS

(71) Applicant: **LULULEMON ATHLETICA CANADA INC.**, Vancouver (CA)

CN 106723560 5/2017
TW 201603728 2/2016

(72) Inventor: **Nicole Breanne Picco**, Vancouver (CA)

OTHER PUBLICATIONS

(73) Assignee: **LULULEMON ATHLETICA CANADA INC.**, Vancouver (CA)

Running Girl Sports Bra for Women, Criss-Cross Back Padded Strappy Sports, posted Sep. 1, 2019 [online], (retrieved Mar. 17, 2019). Retrieved from the internet, [https://www.amazon.com/RUNNING-GIRL-Criss-Cross-Removable-WX2353-Black-XL/dp/B07XCJ6X6V/ref=sr_1_4?dchild=1&qid=1615997175&ref%3E%80%A6%201/\(Year: 2019\).](https://www.amazon.com/RUNNING-GIRL-Criss-Cross-Removable-WX2353-Black-XL/dp/B07XCJ6X6V/ref=sr_1_4?dchild=1&qid=1615997175&ref%3E%80%A6%201/(Year: 2019).)*

(**) Term: **15 Years**

(21) Appl. No.: **29/759,336**

(Continued)

(22) Filed: **Nov. 22, 2020**

Primary Examiner — Kevin K Rudzinski

Assistant Examiner — J. Thorn, Sr.

(74) *Attorney, Agent, or Firm* — Conneely PC; Joseph Conneely

Related U.S. Application Data

(63) Continuation of application No. 29/695,915, filed on Jun. 24, 2019, now Pat. No. Des. 905,931.

(51) **LOC (13) Cl.** **02-01**

(52) **U.S. Cl.**
USPC **D2/706; D2/731**

(58) **Field of Classification Search**
USPC D24/706, 731
CPC A41C 3/00; A41C 3/0057
See application file for complete search history.

(57) **CLAIM**

The ornamental design for a bra, as shown and described.

DESCRIPTION

FIG. 1 is a front view of a bra according to the design; FIG. 2 is a rear view thereof; FIG. 3 is a left side view thereof; FIG. 4 is a right side view thereof; FIG. 5 is a rear perspective view thereof; FIG. 6 is a rear view thereof shown in an environment of use; FIG. 7 is a rear view thereof with back straps thereof shown in a partially opened position; and, FIG. 8 is a rear view thereof with the back straps thereof shown in a fully opened position. The portions of the bra shown in broken lines in FIGS. 1-8 do not form part of the claimed design. The broken line showing of the arms, torso, neck, and head in FIG. 6 is for the purpose of illustrating portions of the environmental structure and forms no part of the claimed design.

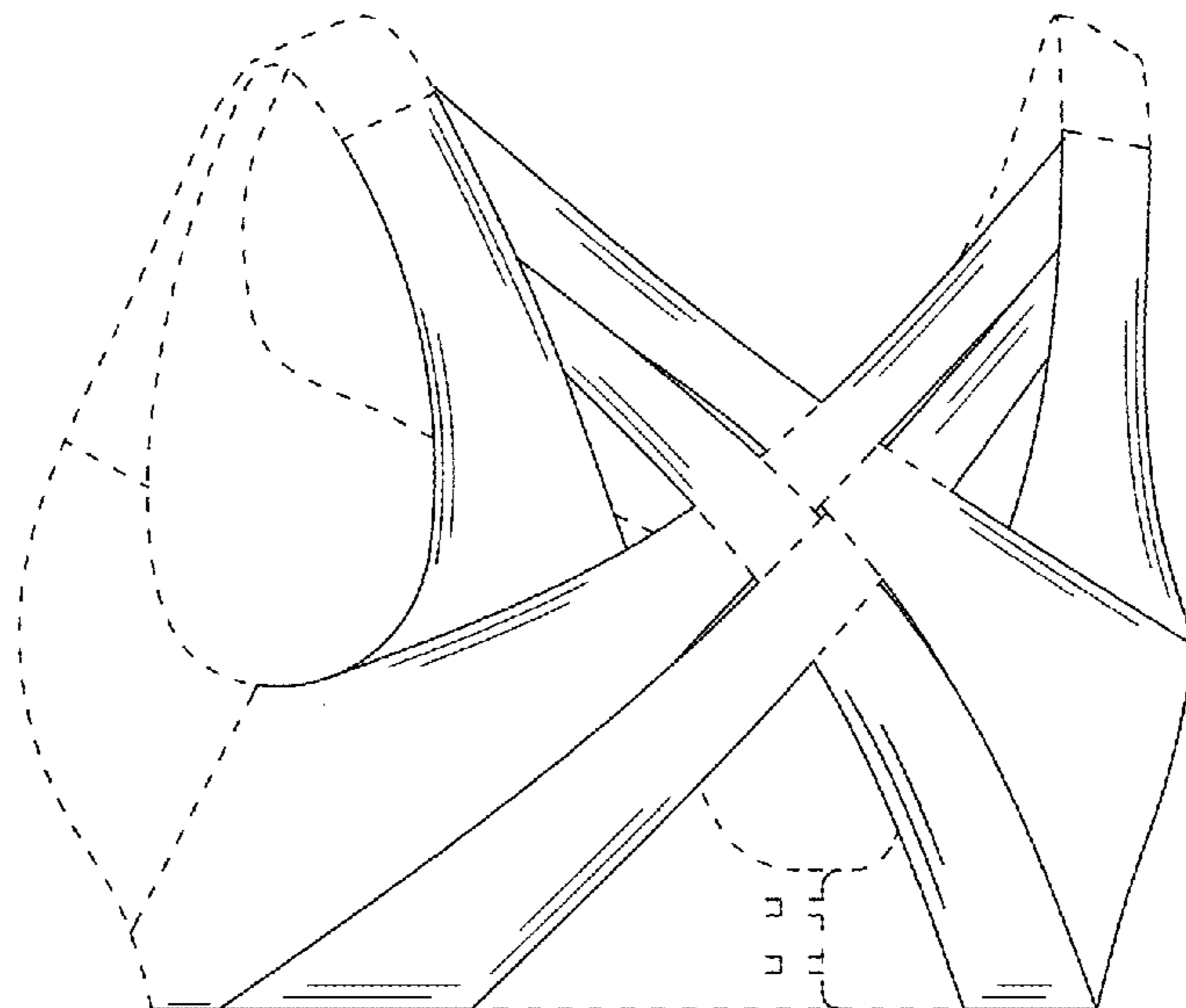
(56) **References Cited**

U.S. PATENT DOCUMENTS

3,071,140 A	1/1963	Adler	A41F 15/00 450/86
4,174,717 A	11/1979	Schreiber	A41C 3/0057 450/70
D259,370 S	6/1981	Schreiber	D2/708
4,311,150 A	1/1982	Schreiber et al.		
D351,711 S	10/1994	Mattson	D2/706
D388,587 S	1/1998	Magidson	D2/706
5,823,851 A	10/1998	Dicker	A41C 3/0057 450/2

(Continued)

1 Claim, 8 Drawing Sheets



(56)

References Cited

U.S. PATENT DOCUMENTS

6,247,996 B1 6/2001 Fields A41C 3/04
450/36
D475,835 S 6/2003 Hoffman D2/706
D562,529 S 2/2008 Tonsor D2/709
D575,026 S 8/2008 Tonsor D2/706
D635,329 S 4/2011 Wahl D2/706
8,047,893 B2 11/2011 Fenske A41C 3/005
450/86
D671,297 S 11/2012 Iamartino D2/708
D678,659 S 3/2013 Lopez D2/708
D683,525 S 6/2013 Iamartino D2/840
D708,821 S 7/2014 Iamartino D2/708
D709,668 S 7/2014 Martz D2/708
8,777,692 B2 7/2014 Jimenez et al.
D747,843 S 1/2016 Gallo D2/708
D759,942 S 6/2016 Martz D2/708
D764,746 S 8/2016 Randall D2/706
D764,747 S 8/2016 Castaneda Smids
D765,947 S 9/2016 McManus D2/708
D765,948 S 9/2016 McManus D2/708
D773,149 S 12/2016 Kercher, III D2/708
D783,930 S 4/2017 Rothert D2/708
D785,903 S 5/2017 Chaleangsak D2/706
D791,438 S 7/2017 Holmes D2/735
D798,535 S 10/2017 McManus D2/708
D805,730 S 12/2017 Loret D2/706
D817,595 S 5/2018 Dixon D2/706
D821,700 S 7/2018 Flower
D821,702 S 7/2018 Krasner D2/709
D831,303 S 10/2018 Rendone D2/708
D834,282 S 11/2018 Flower D2/708
D835,884 S 12/2018 Alligood D2/708
D836,292 S 12/2018 Flower
D841,936 S 3/2019 Flower D2/706
D842,582 S 3/2019 Rendone
D843,081 S 3/2019 Rendone D2/706
D854,783 S 7/2019 Flower
D855,285 S 8/2019 Dixon D2/706
D857,335 S 8/2019 Holmes D2/708
D862,033 S 10/2019 Nordhoff D2/706
D869,820 S 12/2019 Robertson D2/706
D889,072 S 7/2020 Biscuiti D2/706
D893,132 S 8/2020 Witek
D893,133 S 8/2020 Witek
D895,230 S 9/2020 Witek
10,779,582 B2 9/2020 Ward et al.
D903,232 S * 12/2020 Wormgoor D2/706
D903,233 S 12/2020 Yaremenko
D904,728 S 12/2020 Gillespie
D905,377 S 12/2020 Simi-Cook
D905,931 S 12/2020 Picco
D907,329 S * 1/2021 Witek D2/706
D911,667 S * 3/2021 Mohamed D2/706

2005/0255789 A1 11/2005 Gaudet A41C 3/144
450/41
2006/0025039 A1 2/2006 Barbour et al.
2006/0089083 A1 4/2006 Tonsor A41C 3/02
450/60
2008/0194179 A1 8/2008 Leung
2009/0098803 A1 4/2009 Reinisch et al.
2009/0233522 A1 9/2009 Schlatmann A41C 3/0057
450/39
2011/0117818 A1 5/2011 Barnard
2013/0203319 A1 8/2013 Torres A41C 3/0028
450/59
2014/0220860 A1 8/2014 Alva
2015/0223525 A1 8/2015 Miller A41C 3/0085
450/65
2016/0021940 A1 1/2016 Carney
2016/0338419 A1 11/2016 Fayad A41C 3/0028
2017/0055614 A1 3/2017 Castaneda Smids
A41F 15/002
2017/0127731 A1 5/2017 Flower et al.
2018/0132541 A1 5/2018 Wittstadt A41C 3/0035
2019/0082749 A1 3/2019 Ward A41C 3/12
2019/0098940 A1 4/2019 Huffa A41C 3/126
2019/0110524 A1 4/2019 Kelley et al.
2020/0237029 A1 7/2020 Randall et al.
2021/0068473 A1 * 3/2021 Wallace A41C 3/0057

OTHER PUBLICATIONS

Lululemon Reinvents the Sports Bra, by Elizabeth Segran posted to fastcompany.com. Available date: May 2, 2017 [site visited Dec. 23, 2020] Available: <<https://www.fastcompany.com/4036329/lululemon-reinvents-the-sports-bra>> (Year: 2017).

Victoria Secret Copied Lululemon's Enlite Bra, by Cristina posted to thesweatedit.com. Available date: Sep. 2017 [site visited Dec. 23, 2020] Available: <<https://thesweatedit.com/2017/09/victoria-secret-angel-max-sports-bra-dupes-lululemons-enlite-bra.html>> (Year: 2017).
Cross Back Bra by Alala, posted to alalastyle.com. Available date: Feb. 16, 2017 [site visited 12/23/202] Available: <<https://alalastyle.com/products/cross-back-bra-black?variant=22137536577>> (Year: 2017).

Yvette Women High Impact Sports Bras Criss Cross Back Sexy Running Bra, posted 2018 [online], (retrieved Jul. 24, 2020), Retrieved from the Internet, https://www.amazon.com/dp/B07YG1X827/ref=sspa_dk_detail_1psc=1&pd_rd_i=B07YG1X827&pd_rd_w=XbsfH&pf_rd_p=48d372c1-f7e1-4b8b-9d0%E2%80%A6 (Year: 2018).

Yvette Women High Impact Sports Bras Criss Cross Back Sexy Running Bra, posted 2018 [online], (retrieved Jul. 24, 2020), Retrieved from the internet, https://www.amazon.com/dp/B07YG1X827/ref=sspa_dk_detail_1psc=1&pd_rd_i=B07YG1X827&pd_rd_w=XbsfHpf&pf_rd_p=48d372c1-f7e1-4b8b-9d0%E2%80%A6 (Year: 2018).

* cited by examiner

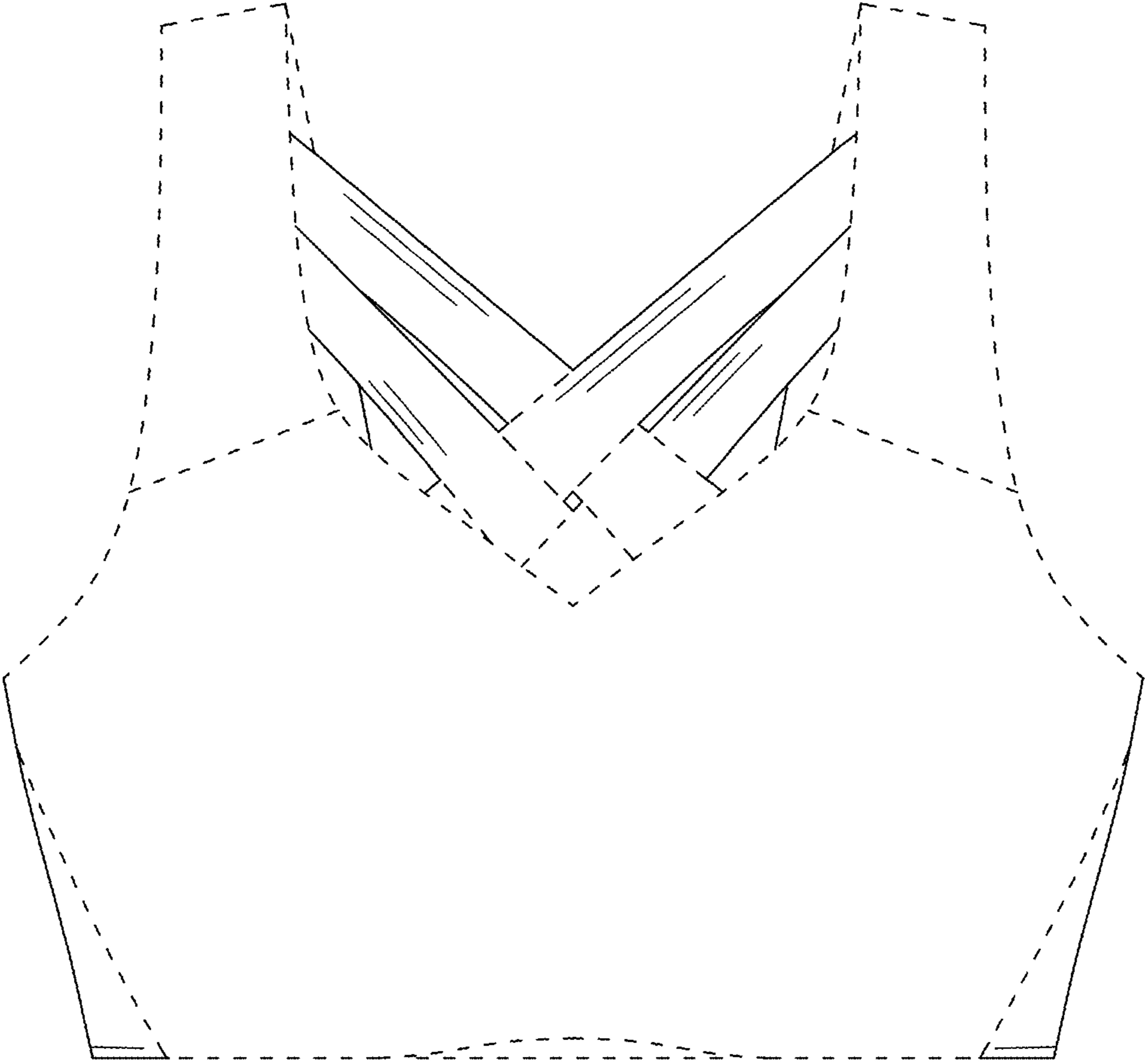


FIG. 1

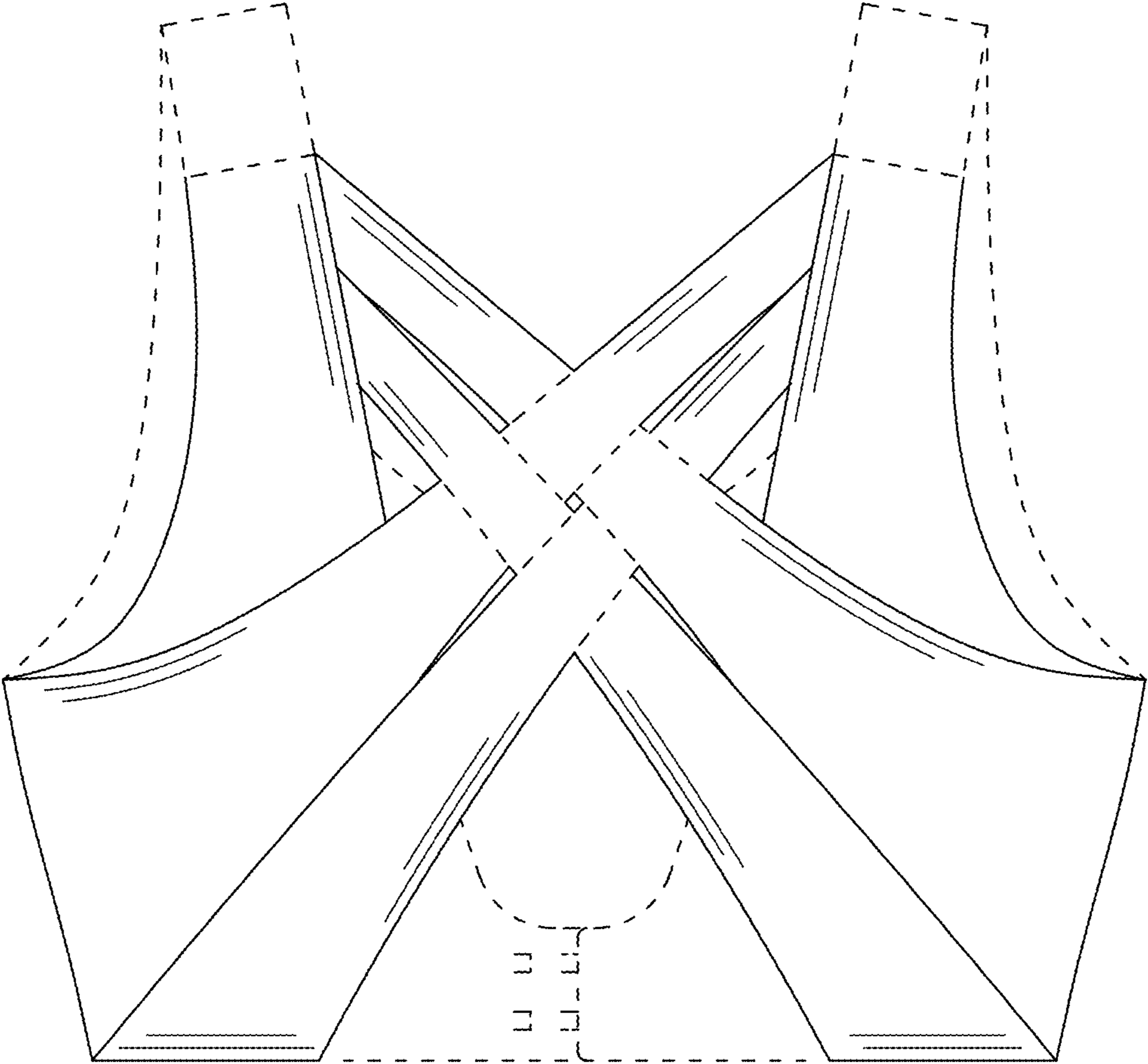


FIG. 2

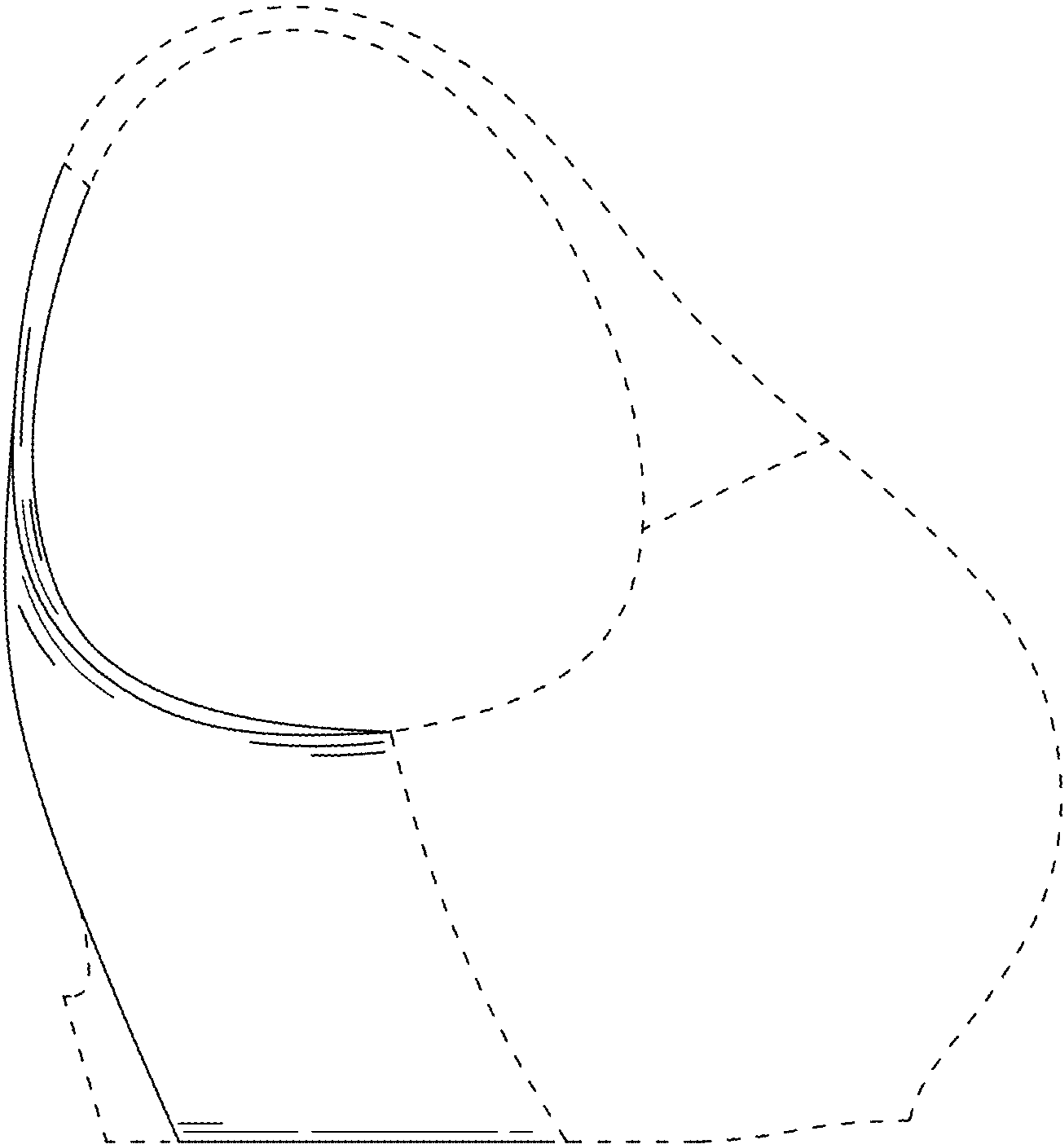


FIG. 3

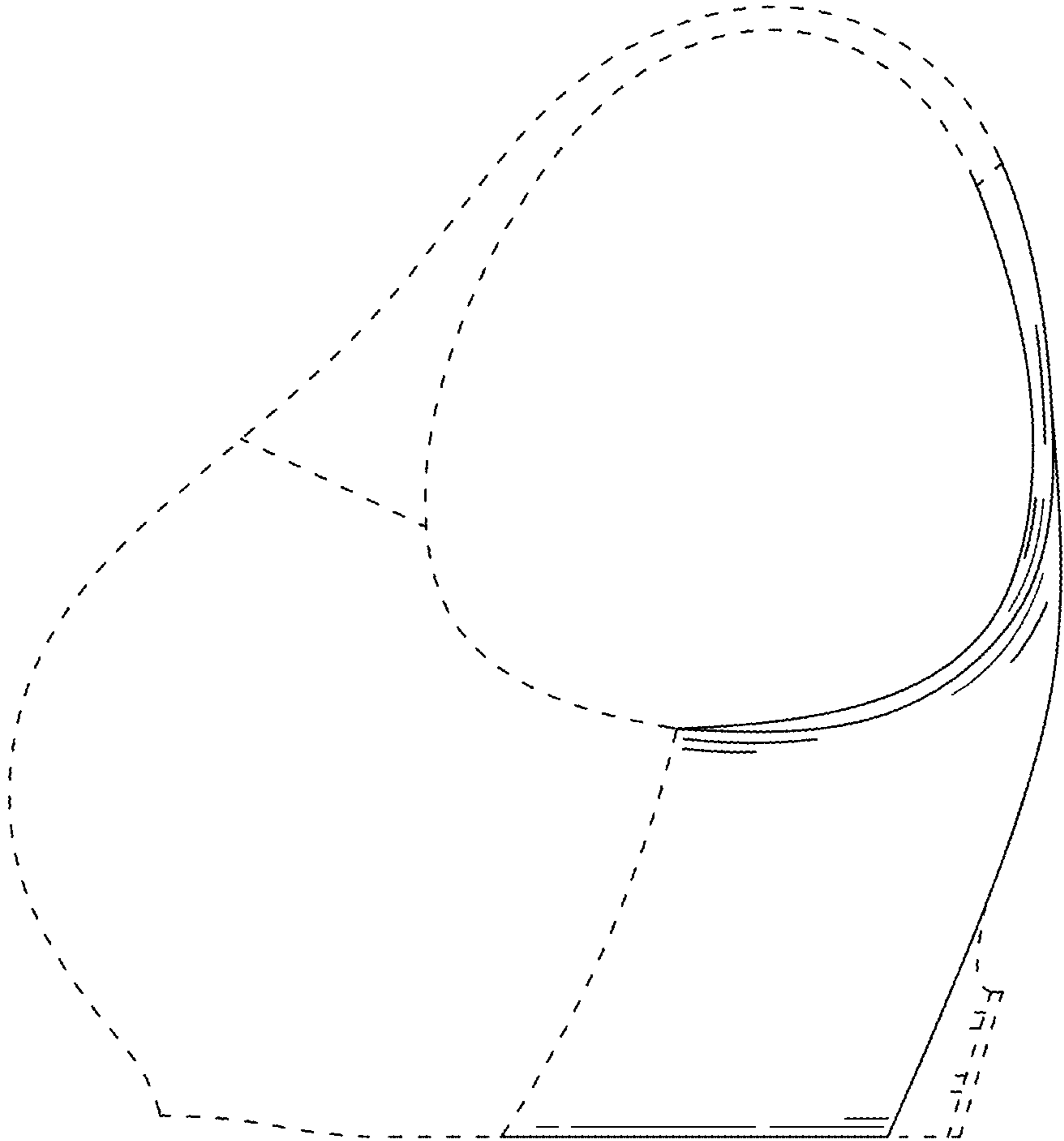


FIG. 4

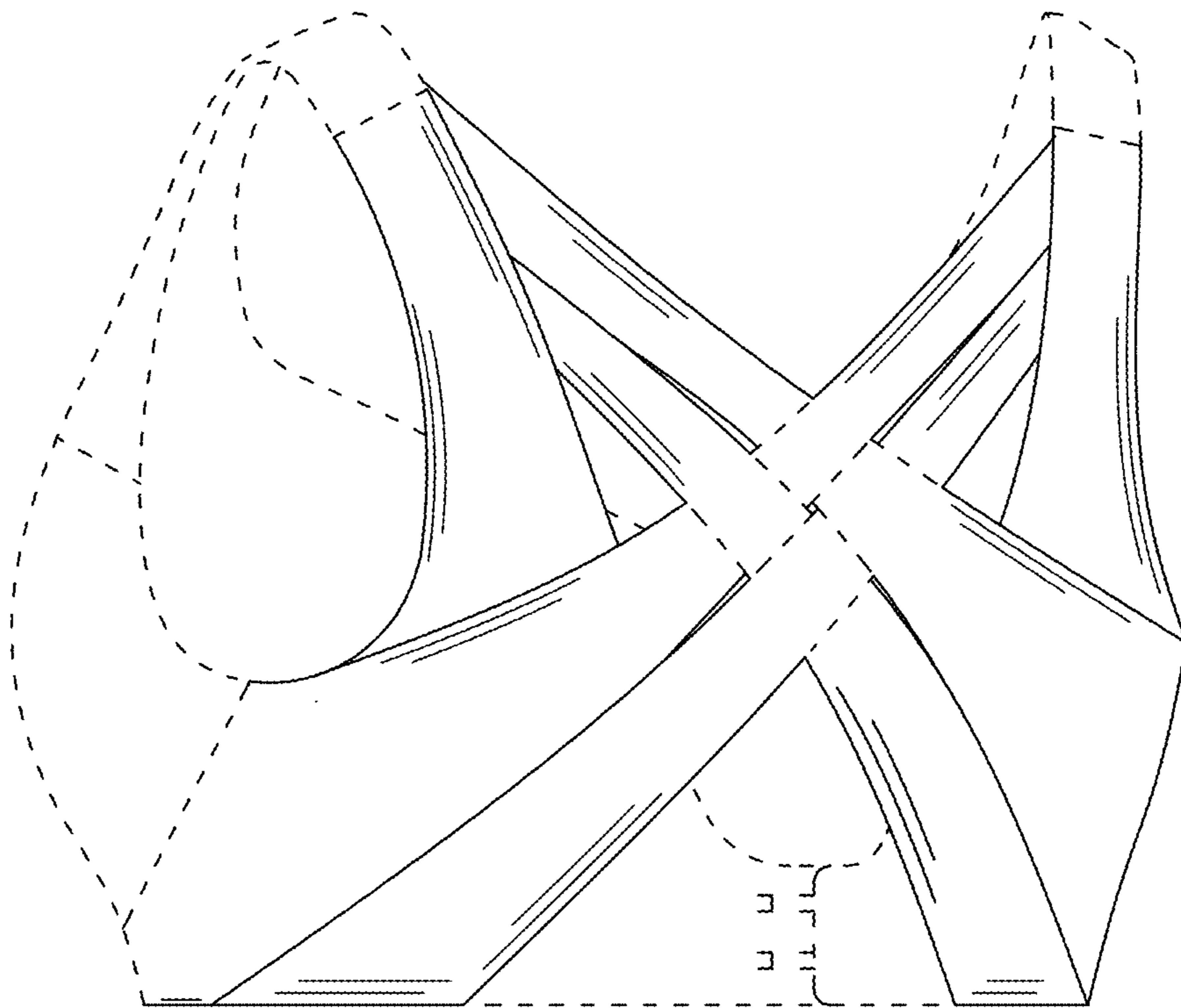


FIG. 5

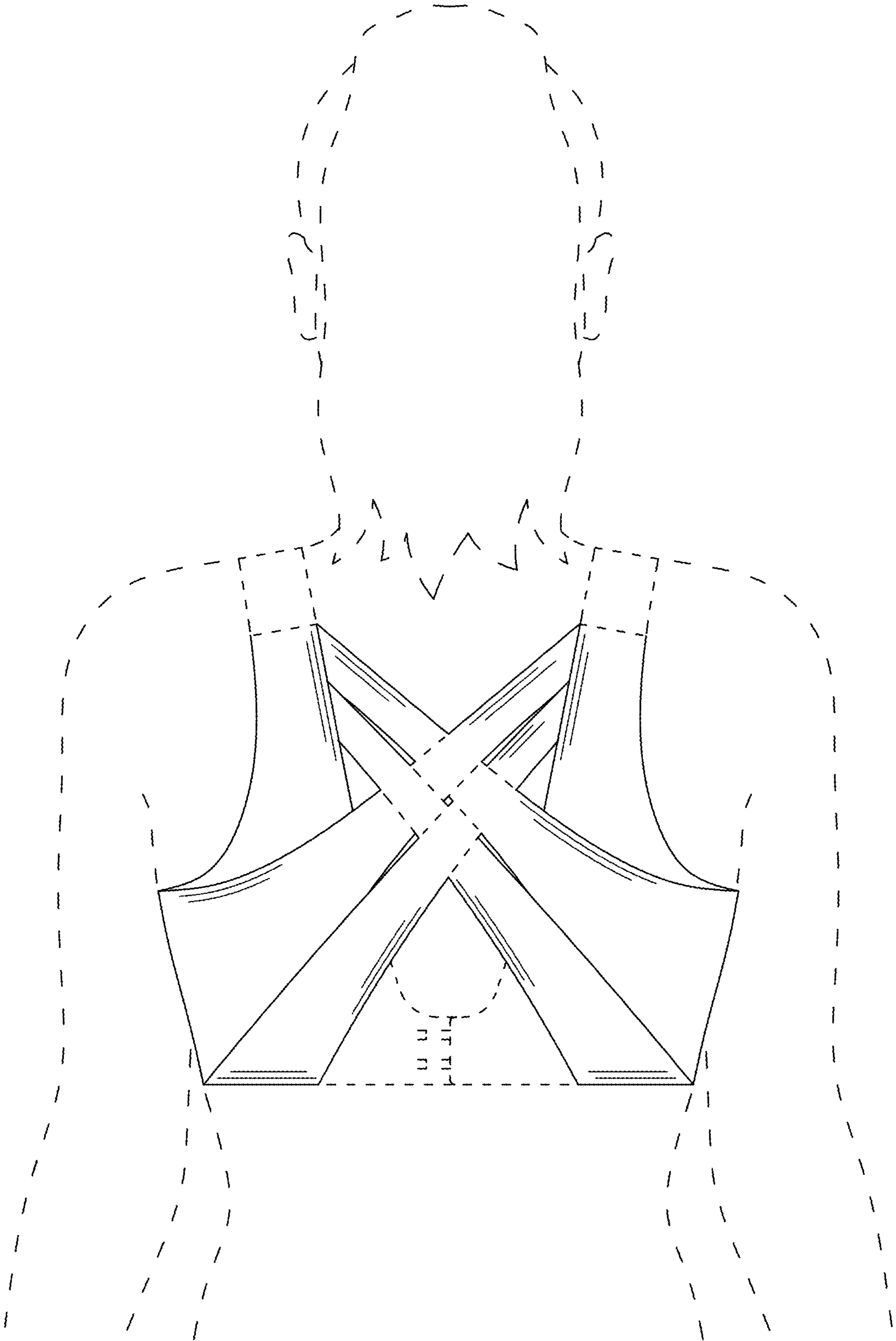


FIG. 6

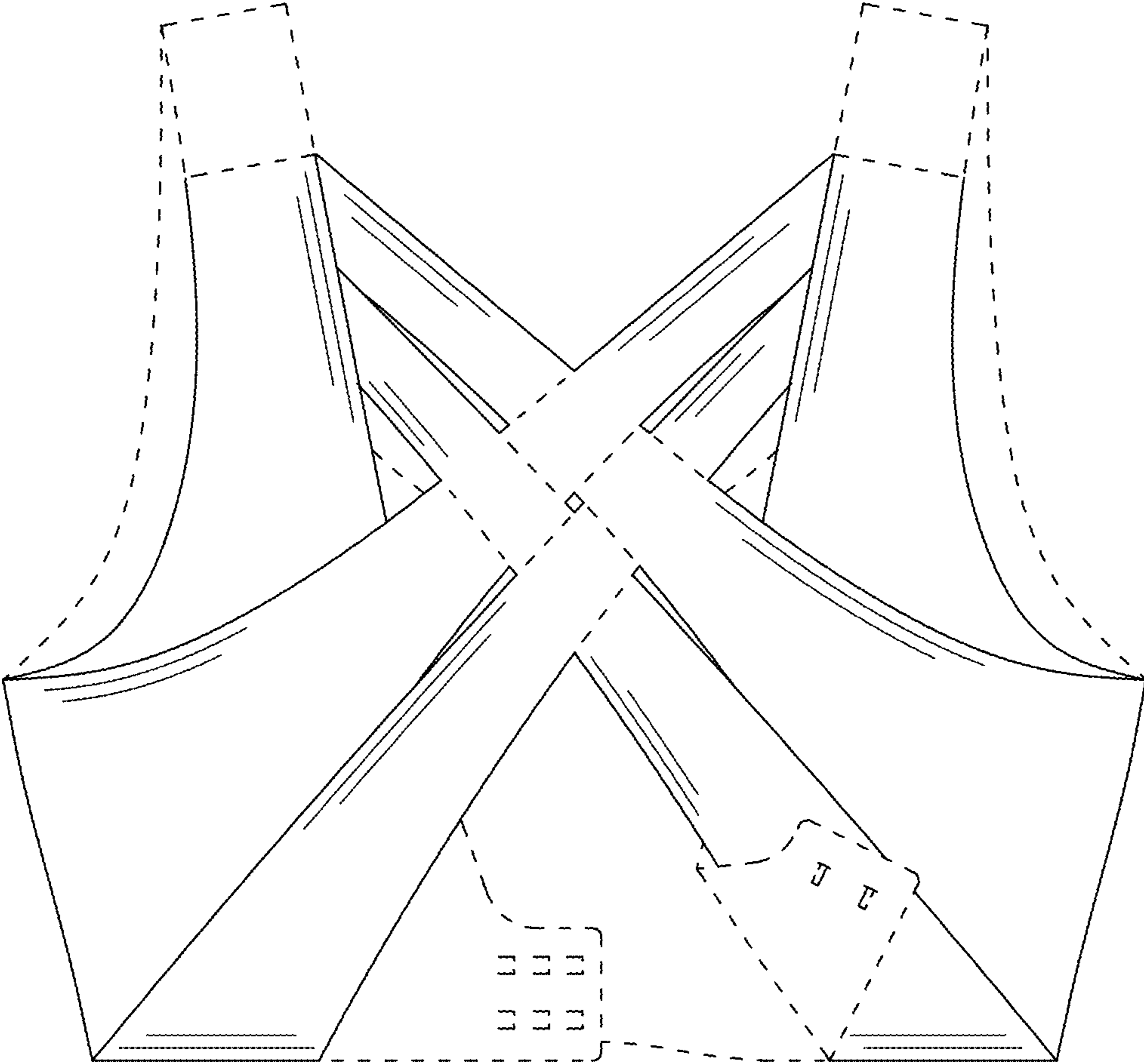


FIG. 7

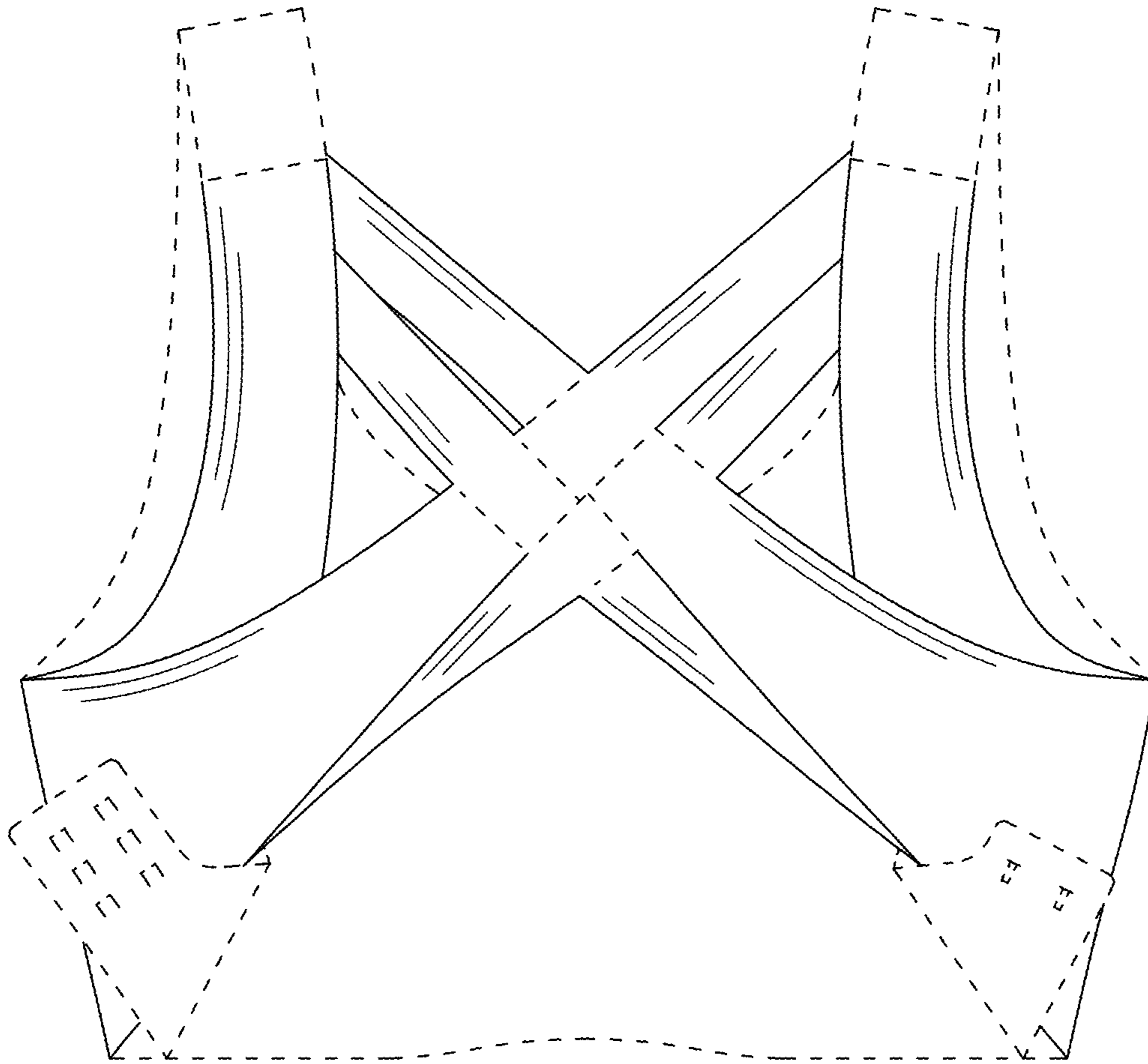


FIG. 8