



US00D925165S

(12) **United States Design Patent** (10) **Patent No.:** **US D925,165 S**
Chang (45) **Date of Patent:** **** Jul. 20, 2021**

(54) **PROTECTIVE SLEEVE**
(71) Applicant: **Edward Chang**, Los Angeles, CA (US)
(72) Inventor: **Edward Chang**, Los Angeles, CA (US)
(**) Term: **15 Years**
(21) Appl. No.: **29/714,406**
(22) Filed: **Nov. 22, 2019**

2,751,595 A * 6/1956 Patraw A41D 13/088
2/59
3,251,066 A 5/1966 Takacs
3,442,270 A * 5/1969 Steinman A61F 13/0021
602/79
3,657,741 A 4/1972 Blanco
(Continued)

FOREIGN PATENT DOCUMENTS

JP 2014058759 * 3/2014

OTHER PUBLICATIONS

Super Puncture and Cut-Resistant Sleeve Made With Punkban posted to industrialsupplymagazine.com. Available date: Aug. 18, 2016 [site visited Mar. 11, 2021] Available: <https://industrialsupplymagazine.com/pages/Product---Superior-Glove_081816.php> (Year: 2016).*

(Continued)

Primary Examiner — Kevin K Rudzinski
(74) *Attorney, Agent, or Firm* — Boudwin Intellectual Property; Daniel Boudwin

Related U.S. Application Data

(63) Continuation-in-part of application No. 16/201,026, filed on Nov. 27, 2018, now abandoned.
(51) **LOC (13) Cl.** **02-06**
(52) **U.S. Cl.**
USPC **D2/610**
(58) **Field of Classification Search**
USPC D2/610, 624, 858; D29/120.1; D24/190, D24/206
CPC A61F 15/00; A41D 13/08; A41D 17/00
See application file for complete search history.

(57) **CLAIM**

The ornamental design for a protective sleeve, as shown and described.

DESCRIPTION

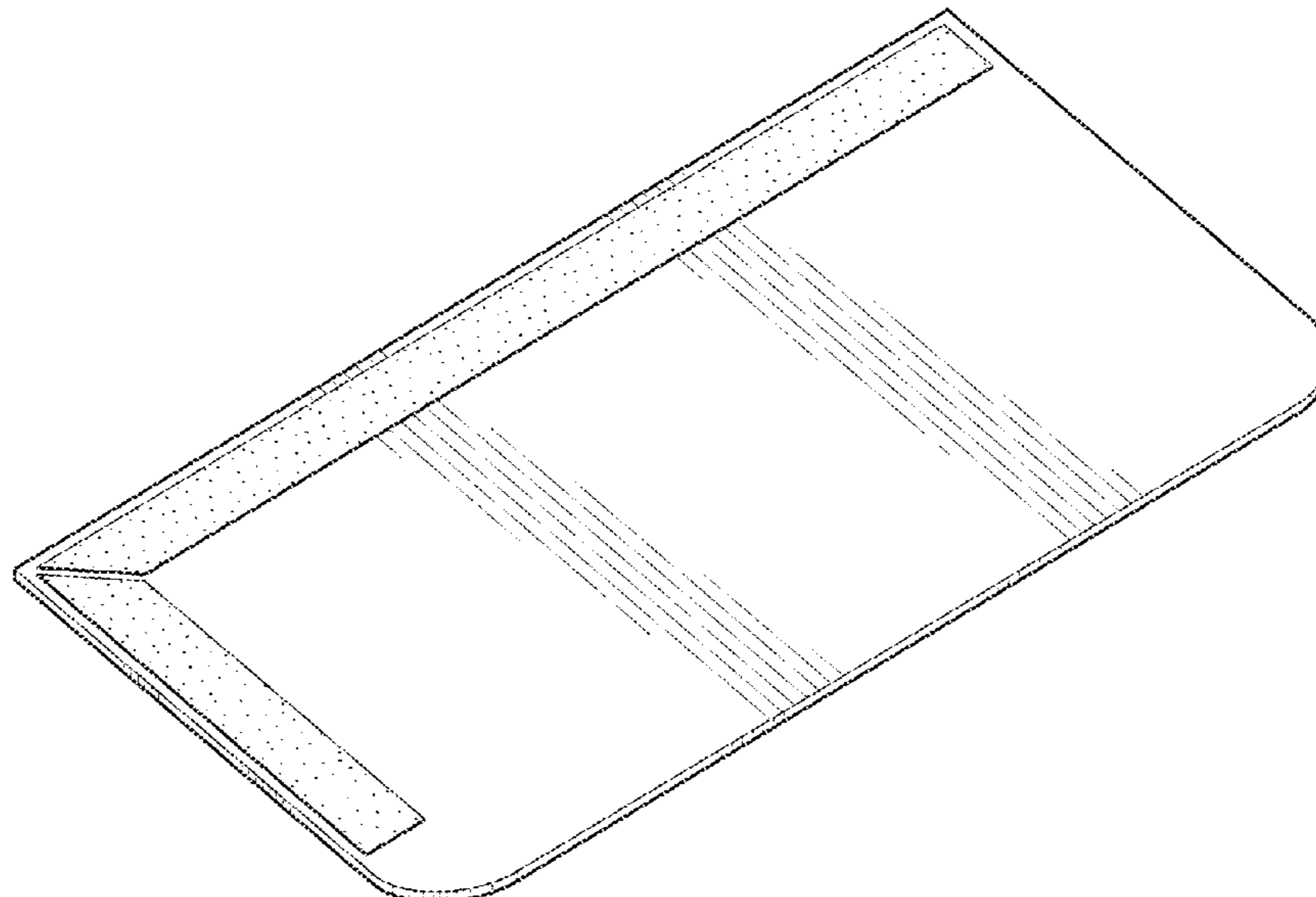
FIG. 1 shows a perspective view of a protective sleeve; FIG. 2 shows a front view of the protective sleeve; FIG. 3 shows a rear view of the protective sleeve; FIG. 4 shows a right side view of the protective sleeve; FIG. 5 shows a left side view of the protective sleeve; FIG. 6 shows a top plan view of the protective sleeve; and, FIG. 7 shows a bottom plan view of the protective sleeve. The shade lines in the Figures show contour and not surface ornamentation.

1 Claim, 3 Drawing Sheets

(56) **References Cited**

U.S. PATENT DOCUMENTS

817,416 A * 4/1906 Cather et al. A41D 13/08
2/59
964,395 A * 7/1910 Colby A41D 13/08
2/59
1,287,691 A 12/1918 Hogan
1,299,574 A 4/1919 Hofsto
1,708,144 A 4/1929 Martin
1,774,069 A * 8/1930 Schlitz A41B 7/12
2/59
2,059,136 A 10/1936 Berniece
2,262,564 A 11/1941 Strother et al.
2,406,090 A 8/1946 Mas
2,431,287 A 11/1947 Washington
2,656,763 A * 10/1953 Frost G08B 5/004
359/519



(56)

References Cited

U.S. PATENT DOCUMENTS

3,879,763 A * 4/1975 Smith A41D 13/08
2/59

3,916,887 A 11/1975 Kelly

4,014,046 A 3/1977 Craig

D255,509 S * 6/1980 Nathan D3/226

D259,220 S * 5/1981 Small 2/170

4,442,834 A * 4/1984 Tucker A61F 5/05816
128/DIG. 20

4,527,566 A * 7/1985 Abare A61F 7/02
601/15

4,856,112 A 8/1989 Effle

4,896,378 A 1/1990 Campana

4,964,176 A 10/1990 Previdi

5,010,597 A 4/1991 Glover

5,031,247 A 7/1991 Carter

5,170,503 A * 12/1992 Hightower, Jr. A41D 17/02
2/22

5,173,967 A 12/1992 Carter

5,187,813 A 2/1993 Klein

5,400,936 A * 3/1995 Jones A45C 1/04
224/219

5,542,121 A 8/1996 Lahaussais et al.

D373,900 S * 9/1996 Montgomery, Sr. D3/226

5,592,953 A 1/1997 Delao

5,644,793 A 7/1997 Lahaussais et al.

D393,138 S * 4/1998 Frey D2/610

5,817,038 A 10/1998 Orange et al.

5,823,977 A 10/1998 Dalylea

5,878,435 A * 3/1999 Kast A41D 13/08
2/16

5,924,130 A 7/1999 Fragomeli

6,131,194 A 10/2000 Gonzalez

6,276,364 B1 8/2001 Warner

D451,248 S * 11/2001 Jack D29/120.1

D453,591 S * 2/2002 Garden D29/120.1

6,418,563 B1 * 7/2002 Turner A41B 11/00
2/16

6,449,772 B1 9/2002 Donner

6,512,158 B1 1/2003 Dobos

6,775,844 B1 8/2004 Castillo

6,830,582 B1 12/2004 Reid, Jr. et al.

D515,745 S * 2/2006 Leyva D29/120.1

7,141,122 B2 11/2006 McKenzie

7,200,870 B1 4/2007 Kolk

D551,351 S * 9/2007 Silva D24/190

7,290,290 B2 11/2007 Fancher

D560,042 S * 1/2008 Porter D29/120.1

7,614,434 B2 * 11/2009 DeMichele A45C 1/08
150/145

7,662,116 B2 2/2010 Ritchey

D634,900 S * 3/2011 Eff D29/120.1

7,913,320 B2 3/2011 Grissom

7,937,852 B1 5/2011 Krehbiel

D655,496 S * 3/2012 Lamey D3/215

D664,260 S * 7/2012 Quisenberry D24/207

8,535,295 B2 9/2013 Palma

D696,468 S * 12/2013 Hartley D29/120.1

D725,344 S * 3/2015 Rich D2/624

D734,563 S * 7/2015 Daniel D29/120.1

9,101,509 B2 8/2015 Rogers

9,301,891 B1 4/2016 Childress

D755,398 S * 5/2016 Devito D24/190

9,399,160 B2 * 7/2016 Stover A63B 69/0002

D785,190 S * 4/2017 Bell D24/190

D813,323 S * 3/2018 Silver D21/694

9,936,751 B1 4/2018 Mignone

10,076,144 B2 * 9/2018 Rivera A41D 27/10

10,076,147 B2 * 9/2018 Rich A41F 17/04

D861,885 S * 10/2019 McEwen D24/190

D901,610 S * 11/2020 Jones D21/694

D912,833 S * 3/2021 Neseem D24/190

2003/0191424 A1 10/2003 Skinner

2004/0111789 A1 * 6/2004 Niki A41D 13/0568
2/455

2004/0138602 A1 7/2004 Rossen

2006/0026730 A1 * 2/2006 Terczak A41D 13/08
2/59

2007/0028345 A1 * 2/2007 McCarty A41D 13/08
2/59

2007/0294798 A1 12/2007 York et al.

2009/0151045 A1 6/2009 Hinds et al.

2010/0094187 A1 4/2010 Murinson

2011/0314581 A1 * 12/2011 Gaters A41D 27/12
2/16

2012/0096616 A1 * 4/2012 Fisher A63B 71/1225
2/22

2012/0174278 A1 7/2012 Spivak

2013/0047319 A1 2/2013 Canale

2013/0091612 A1 4/2013 Grassano

2013/0104275 A1 5/2013 Lea

2013/0167282 A1 7/2013 Ramirez

2014/0082811 A1 * 3/2014 Perlmutter A41D 13/08
2/16

2015/0101094 A1 * 4/2015 Hinds A41D 13/08
2/16

2017/0245566 A1 8/2017 Cirigliano

2018/0184734 A1 * 7/2018 Hughes A41D 13/08

OTHER PUBLICATIONS

Ansell Black Cane Mesh Sleeve posted to amazon.com. Available date: May 23, 2014 [site visited Mar. 11, 2021] Available: <<https://www.amazon.com/Ansell-Black-Cane-Mesh-Sleeve/dp/B00KSN1Q0W>> (Year: 2014).*

Kut-Gard Nylon Cane Mesh Arm Protection Sleeve posted to amazon.com. Available date: Oct. 29, 2015 [site visited Mar. 11, 2021] Available: <<https://www.amazon.com/Kut-Gard-30-6795B-2-Ply-Protection-Sleeve/dp/B017DJK7Z8>> (Year: 2015).*

* cited by examiner

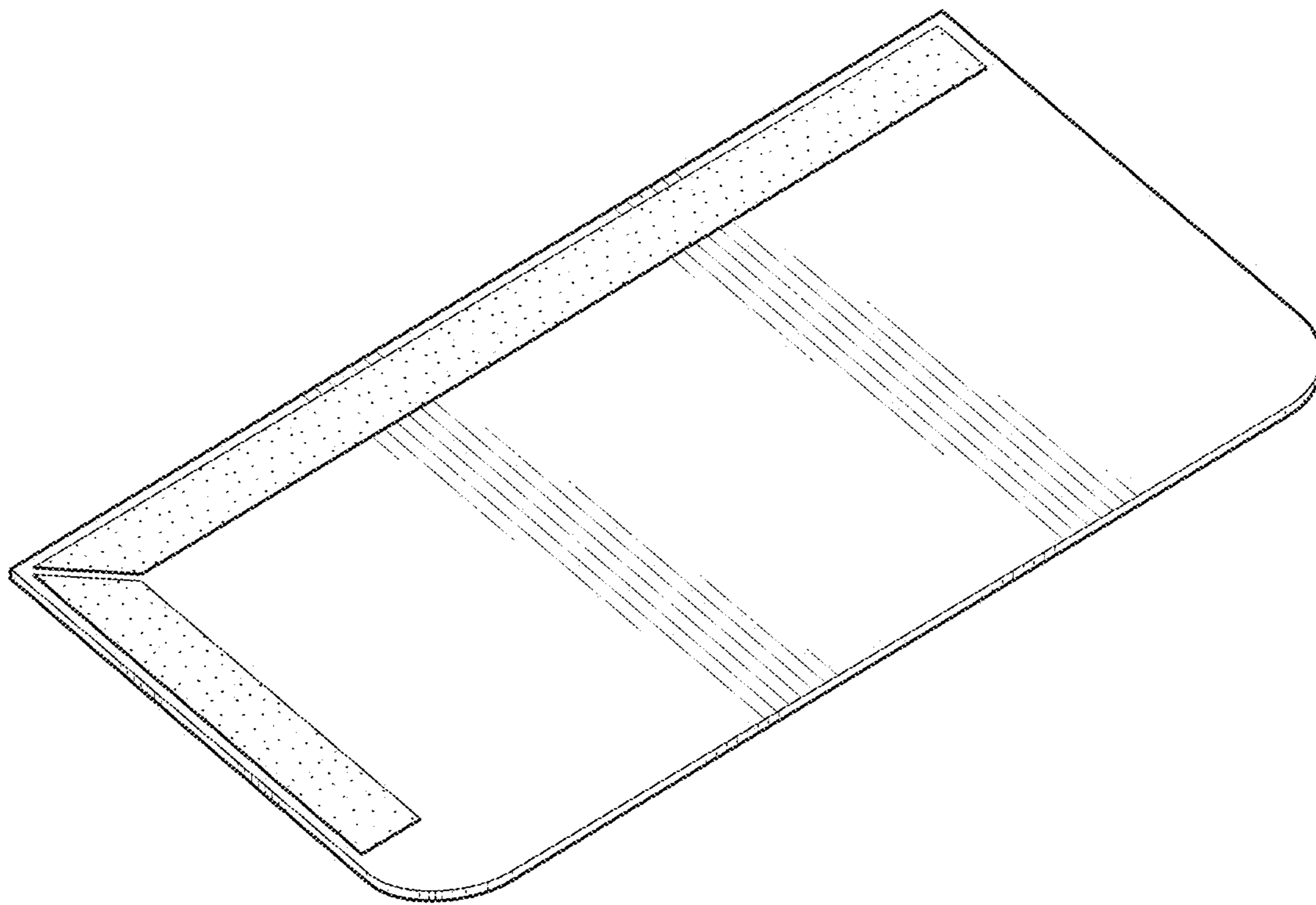


FIG. 1

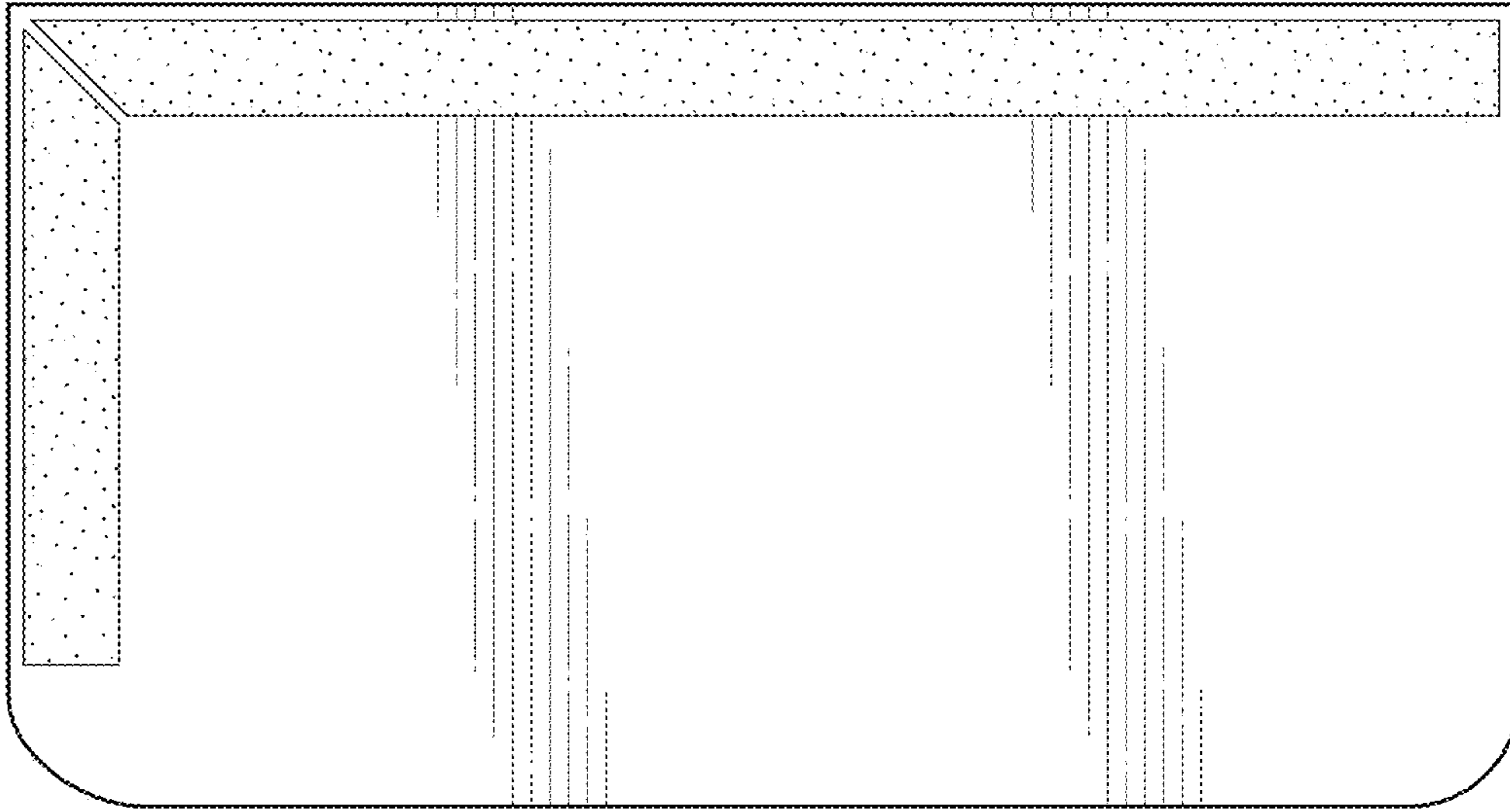


FIG. 2

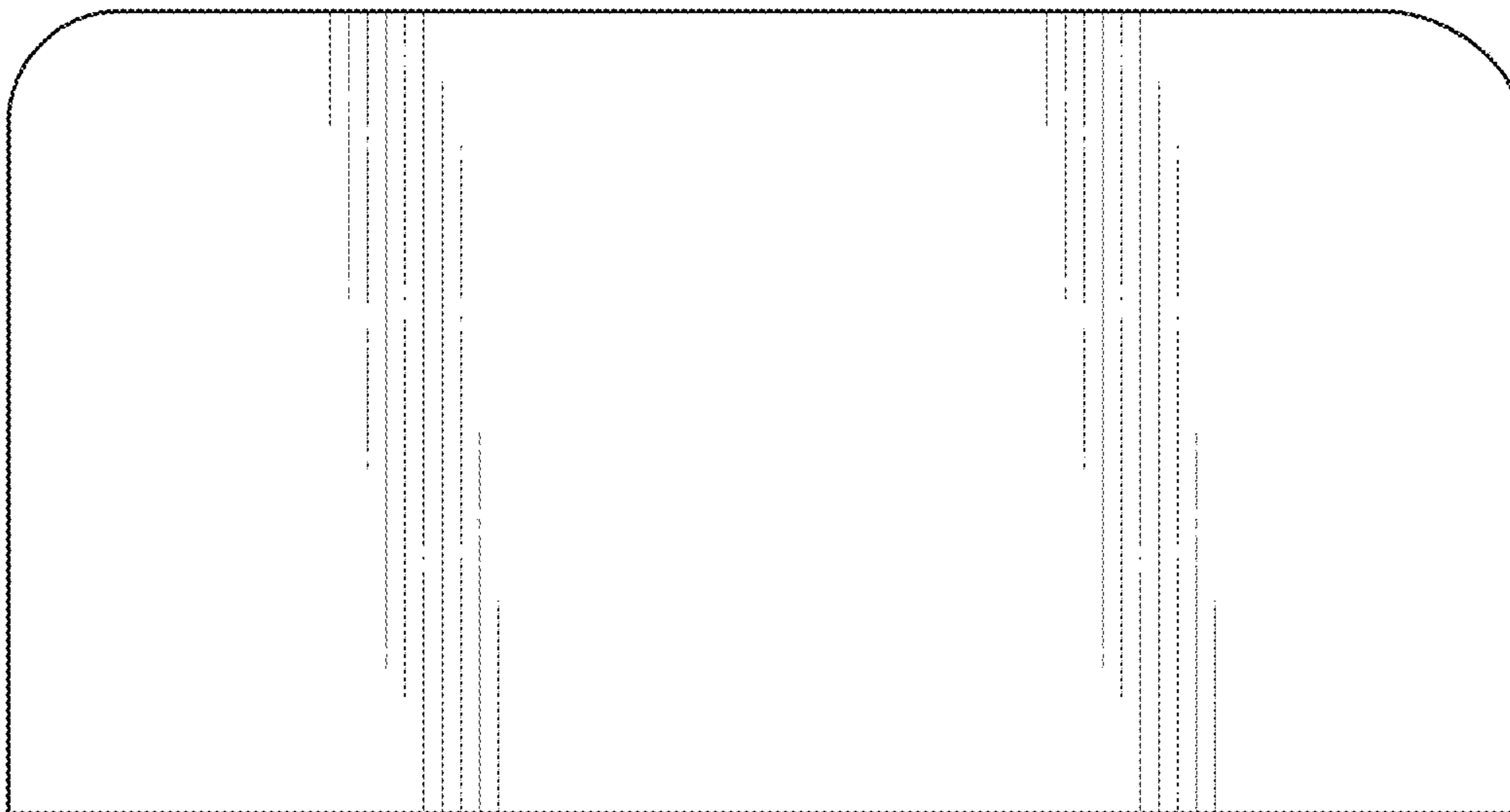


FIG. 3



FIG. 4



FIG. 5



FIG. 6



FIG. 7