



US00D925157S

(12) **United States Design Patent** (10) **Patent No.:** **US D925,157 S**
Castro (45) **Date of Patent:** **** Jul. 13, 2021**

(54) **PALLET STABILIZER**
(71) Applicant: **INTERNATIONAL PAPER COMPANY**, Memphis, TN (US)
(72) Inventor: **Julio Cesar Mendoza Castro**, Sinaloa (MX)
(73) Assignee: **INTERNATIONAL PAPER COMPANY**, Memphis, TN (US)

5,784,971 A 7/1998 Chang
D410,580 S * 6/1999 Kaffenberger, Sr. D34/38
D426,693 S * 6/2000 Thomsen D34/38
D426,896 S * 6/2000 Brown D25/69
6,273,329 B1 8/2001 Zavatone
6,296,119 B1 10/2001 Wells
D494,015 S 8/2004 Compagnucci
7,464,855 B2 12/2008 Glasgow
D623,342 S 9/2010 Klu
8,308,408 B2 * 11/2012 Gaudette B65D 85/68
410/43

(Continued)

(**) Term: **15 Years**

OTHER PUBLICATIONS

(21) Appl. No.: **29/687,349**
(22) Filed: **Apr. 12, 2019**
(51) **LOC (13) Cl.** **09-08**
(52) **U.S. Cl.**
USPC **D34/38**
(58) **Field of Classification Search**
USPC D8/350, 351, 353, 330, 331, 346, 302,
D8/341, 343, 338; D9/444, 433, 434,
D9/435, 452, 453, 456; D25/119, 120,
D25/122, 123, 124, 125, 126; D34/28,
D34/35, 38, 29, 30, 31, 33, 34, 37
CPC B65D 2519/00; B65D 2519/00273; B65D
2519/00288; B65D 2519/00363; B65D
2519/00069; B65B 65/00; E06B 1/12;
E04C 3/00; E04C 3/02; E04C 3/125;
E04C 3/127; E04B 1/18; E04B 1/24
See application file for complete search history.

G-Force Box Style Void Filler, announced 2020 [online], [site visited Mar. 5, 2020]. Available from internet, URL: <https://www.godunnage.com/Category/Fill> (Year: 2020).

Primary Examiner — Michael C Stout
Assistant Examiner — Benjamin M Weeks
(74) *Attorney, Agent, or Firm* — Bradley T. Ligibel;
Thomas W. Ryan

(57) **CLAIM**

The ornamental design for a pallet stabilizer, as shown and described.

DESCRIPTION

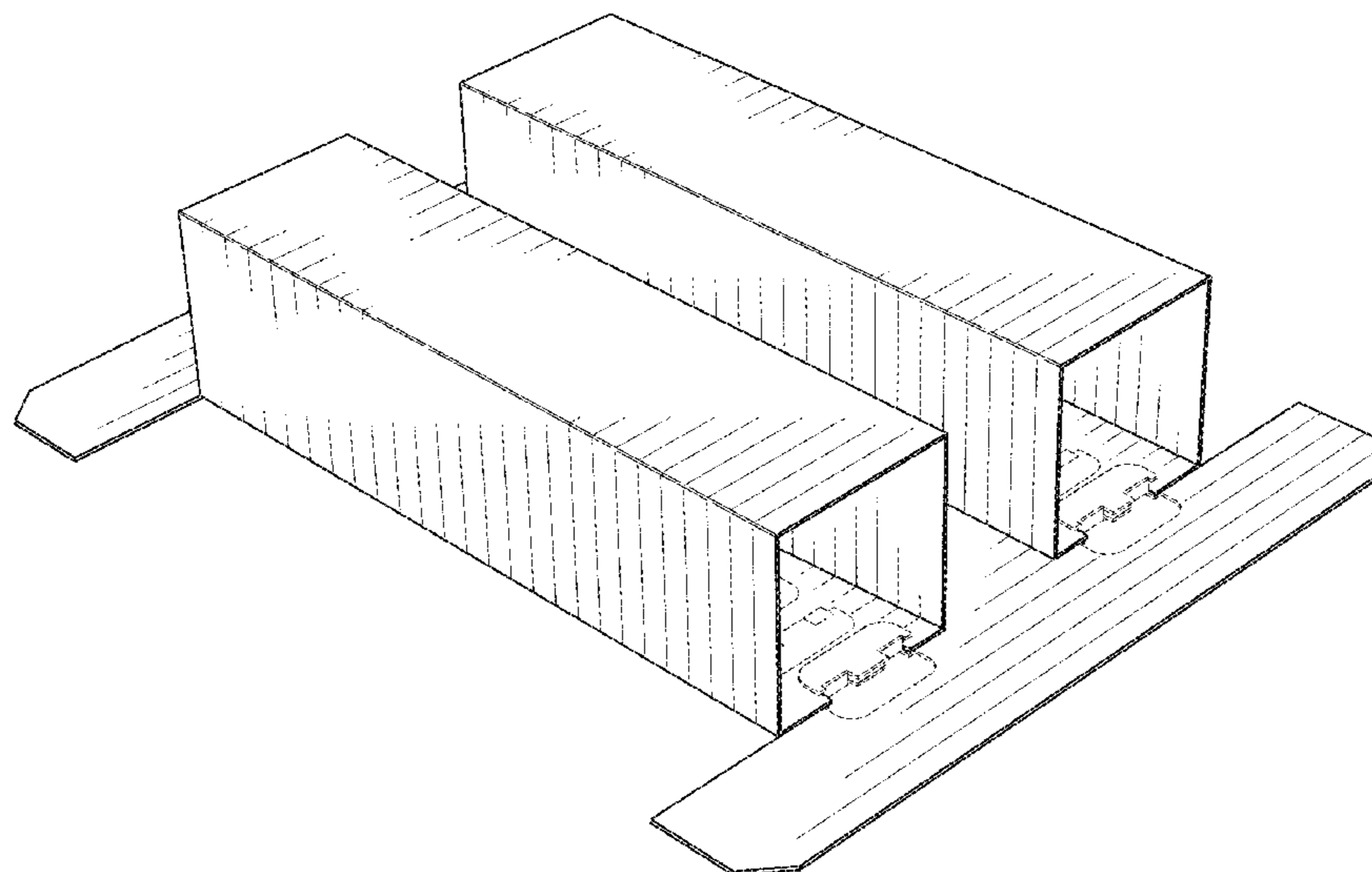
FIG. 1 is a perspective view of the bottom of the pallet stabilizer taken from the back and right side thereof; FIG. 2 is a perspective view of the top of the pallet stabilizer taken from the front and right side thereof; FIG. 3 is a top plan view thereof; FIG. 4 is a bottom plan view thereof; FIG. 5 is a back elevation view thereof; FIG. 6 is a front elevation view thereof; FIG. 7 is a right side elevation view thereof; and, FIG. 8 is a left side elevation view thereof.

The broken lines in the drawings illustrate portions of the pallet stabilizer that form no part of the claimed design.

1 Claim, 6 Drawing Sheets

(56) **References Cited**
U.S. PATENT DOCUMENTS

2,702,642 A 2/1955 Bensinger
2,805,104 A * 9/1957 Johnson E06C 7/165
182/120
3,384,229 A 5/1968 Kaschyk
3,453,973 A 7/1969 Hamilton
4,568,018 A 2/1986 Husnik
5,176,090 A 1/1993 Roberts
5,660,119 A 8/1997 Perkins



(56)

References Cited

U.S. PATENT DOCUMENTS

8,393,470 B2 3/2013 Philips
D746,535 S 12/2015 Herbeck
D746,546 S 1/2016 Rosenbaum
D767,849 S 9/2016 VandeMark
D791,972 S * 7/2017 Goodnow D25/68
D800,988 S 10/2017 VandeMark
D812,835 S * 3/2018 Wallis D34/10
D813,418 S * 3/2018 Ewoldt D25/119
9,969,525 B2 * 5/2018 Longaphie B65D 19/0004
9,969,545 B2 * 5/2018 O'Neil B65D 19/385
D835,301 S 12/2018 Lee
10,399,740 B2 9/2019 Karimov et al.
10,494,162 B1 12/2019 Jernigan et al.
D874,783 S * 2/2020 Neves D34/35
10,556,719 B1 2/2020 Castro
D877,598 S * 3/2020 Macdonald D8/349
D879,326 S 3/2020 Hendry
D880,008 S * 3/2020 Adams D25/68
D882,400 S * 4/2020 Morrison D9/444
10,633,140 B1 4/2020 Vergara
D885,889 S 6/2020 Nelson
10,800,314 B2 * 10/2020 Saer B65D 85/68
D904,477 S * 12/2020 Yunoki D15/145
D904,723 S * 12/2020 Malsam D34/38
2003/0094124 A1 5/2003 Wishart
2006/0076255 A1 4/2006 Bragadeste
2009/0308289 A1 12/2009 Ferguson
2011/0245059 A1 10/2011 Olvey
2011/0248080 A1 10/2011 Timbrook
2018/0141703 A1 5/2018 Herbeck
2019/0106241 A1 4/2019 Yamazaki
2020/0324962 A1 10/2020 Castro

* cited by examiner

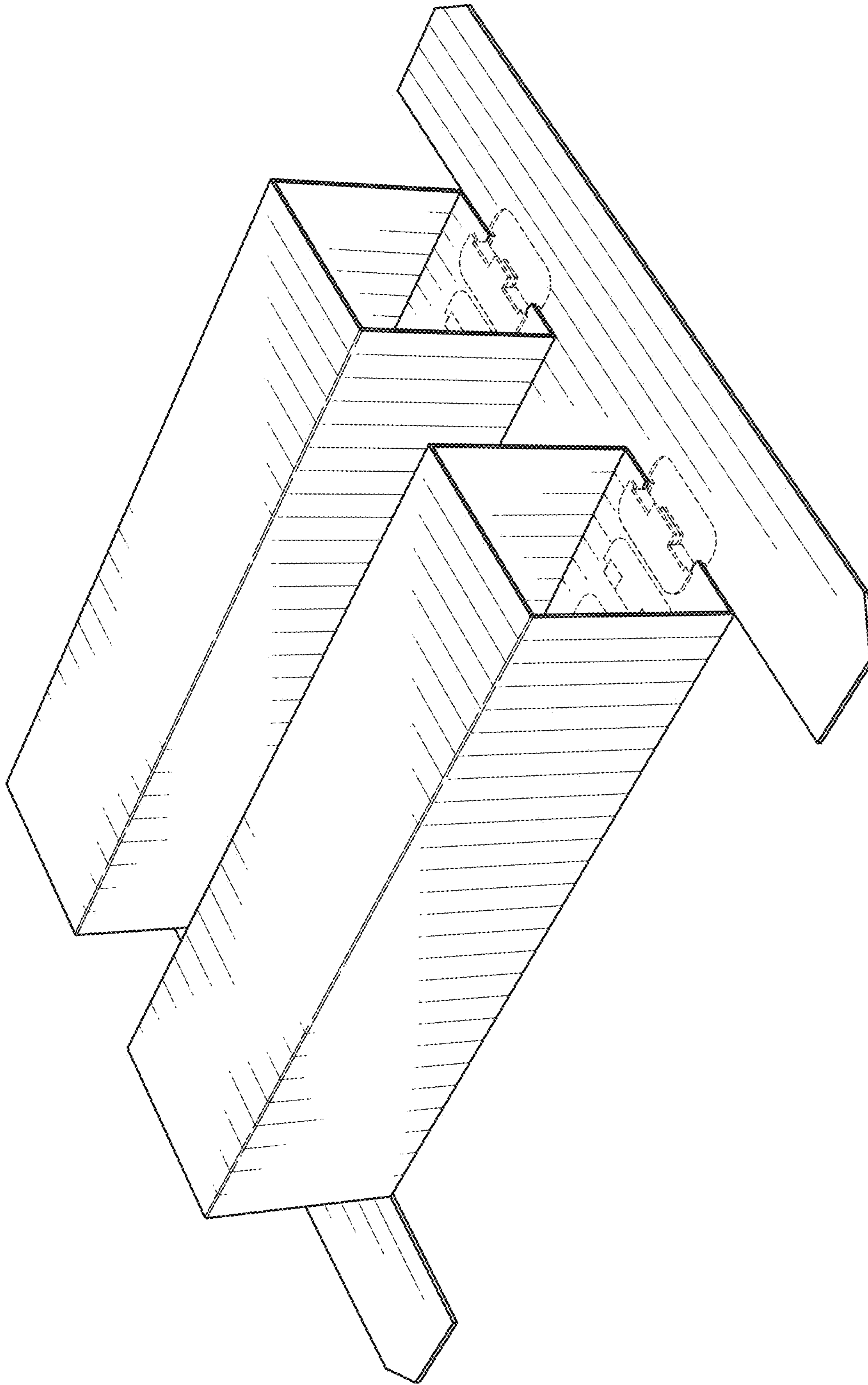


FIG. 1

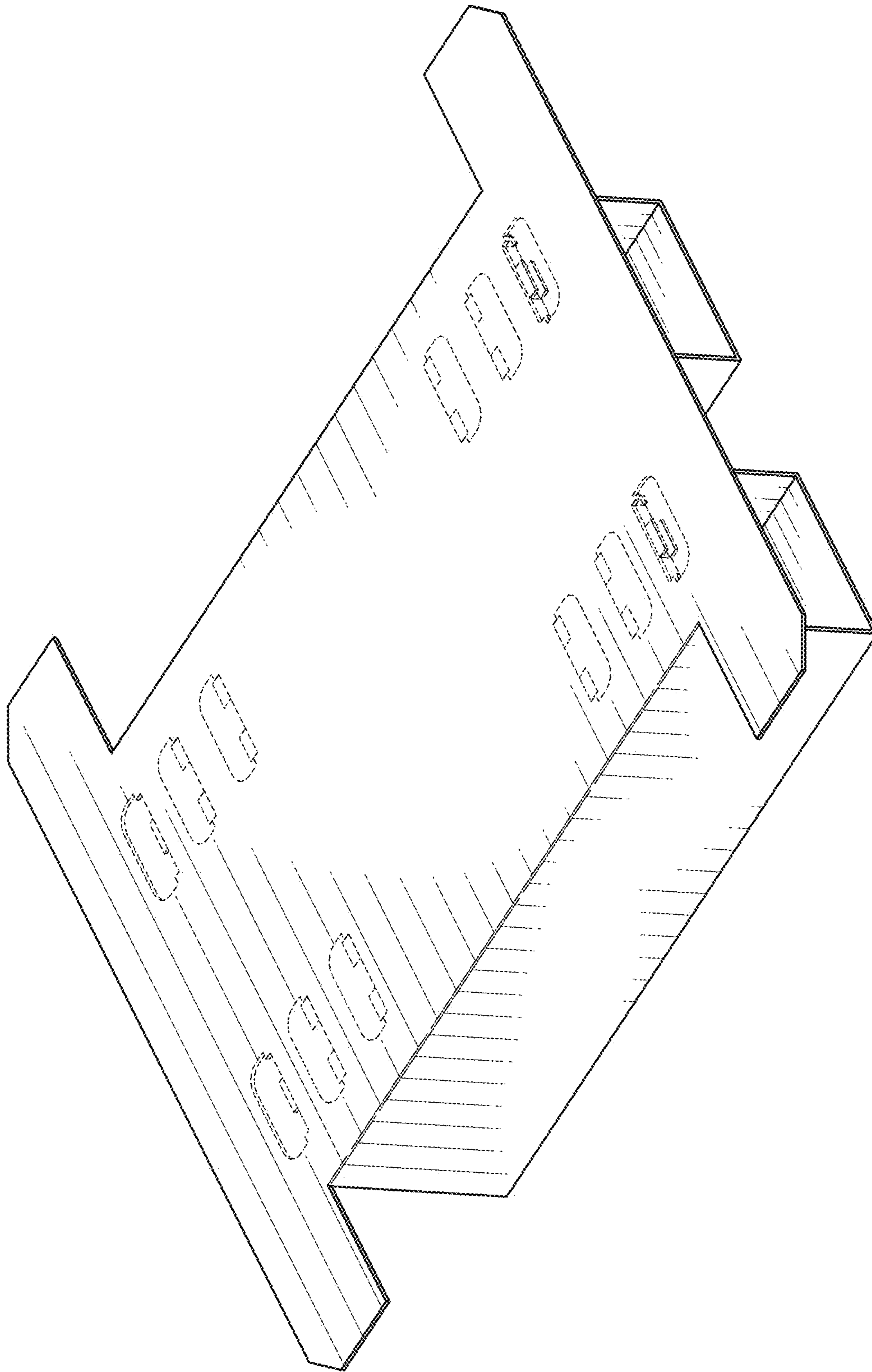


FIG. 2

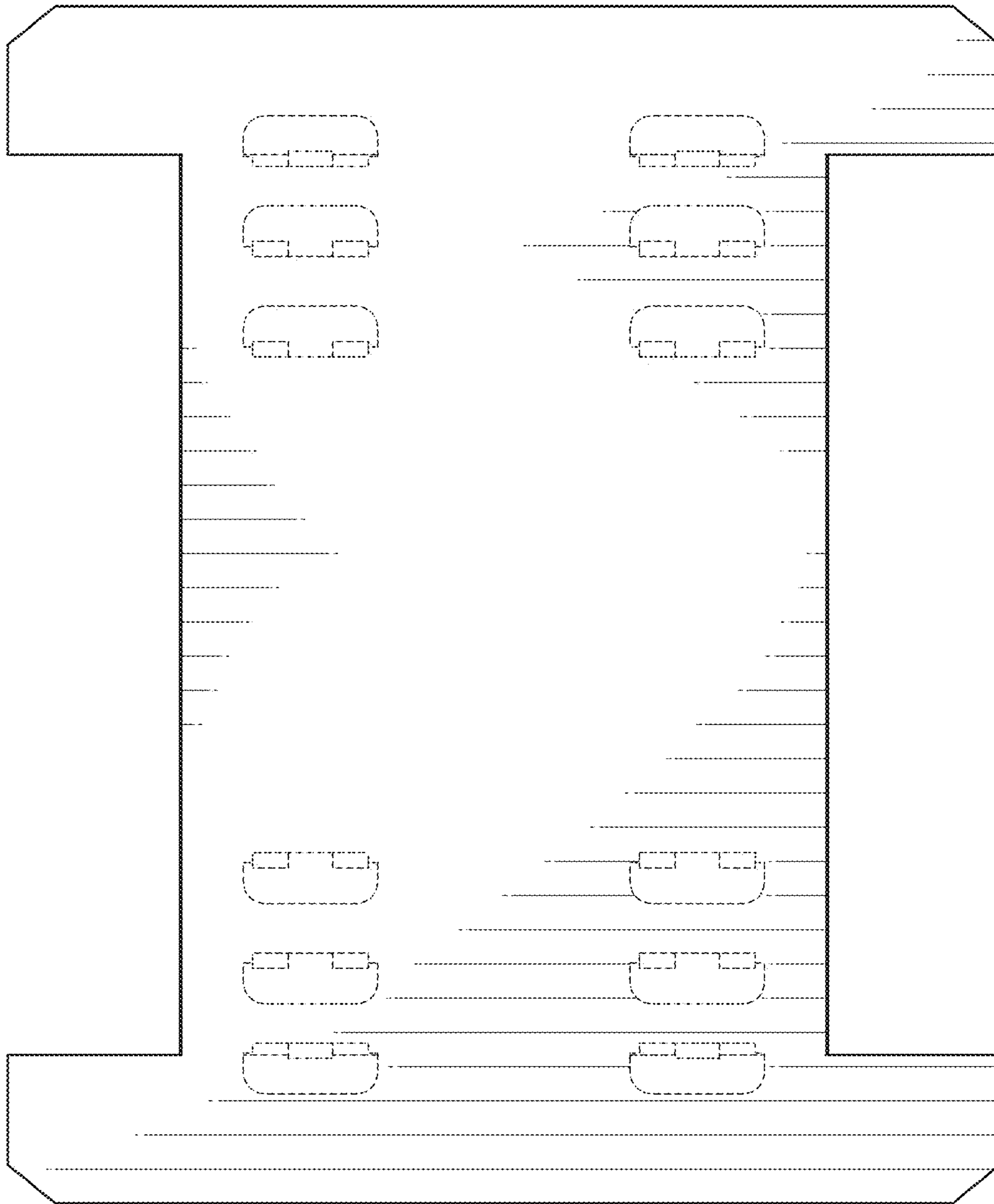


FIG. 3

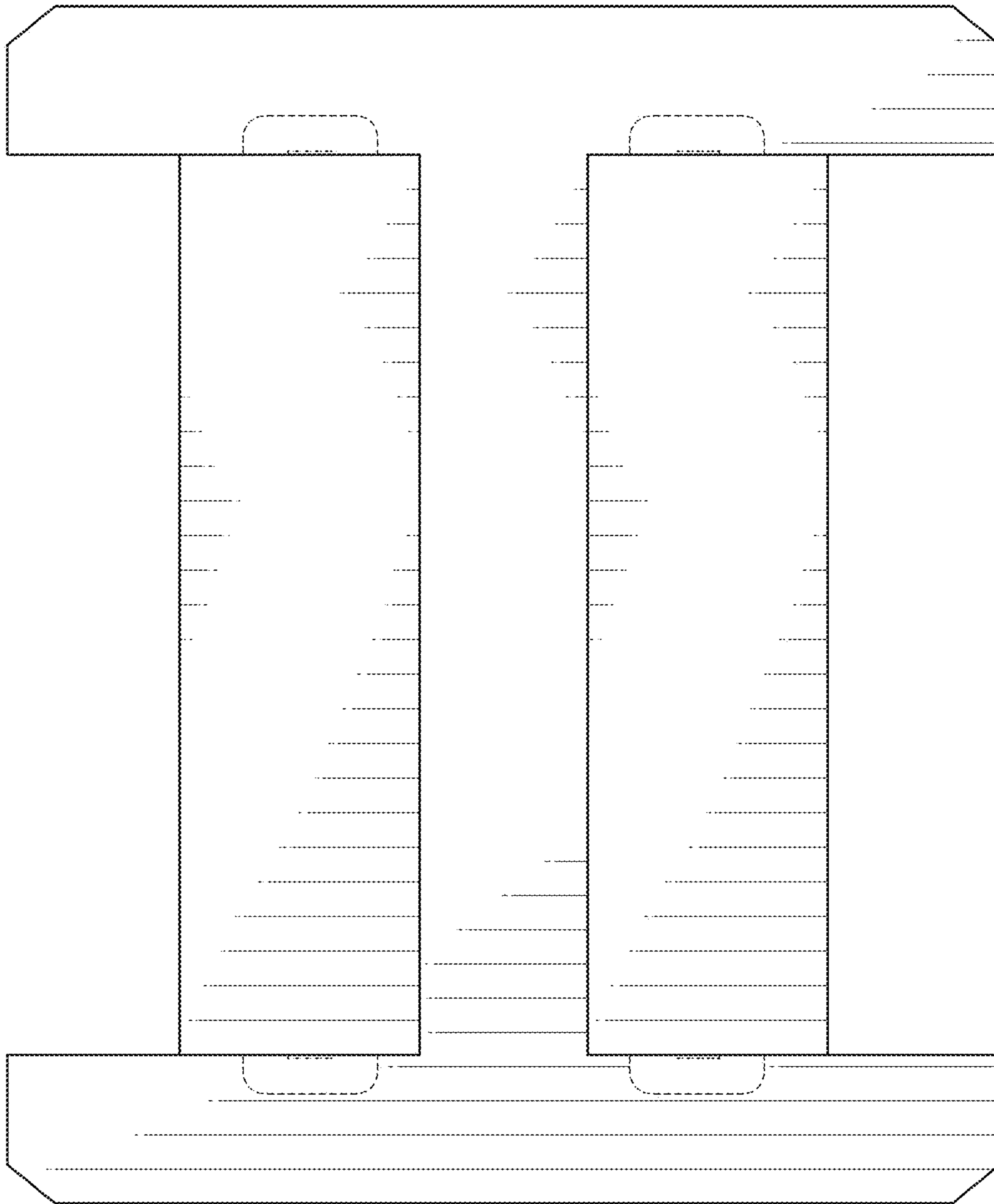


FIG. 4

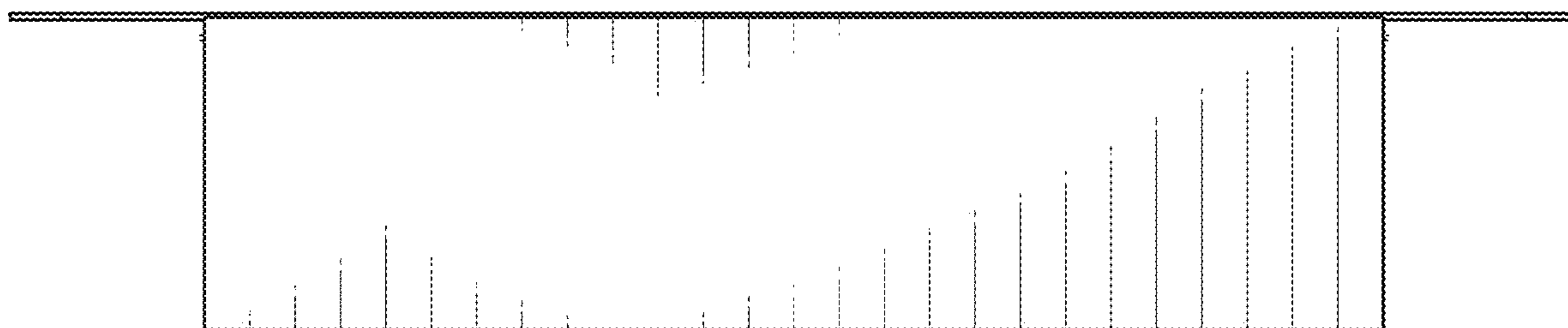


FIG. 5

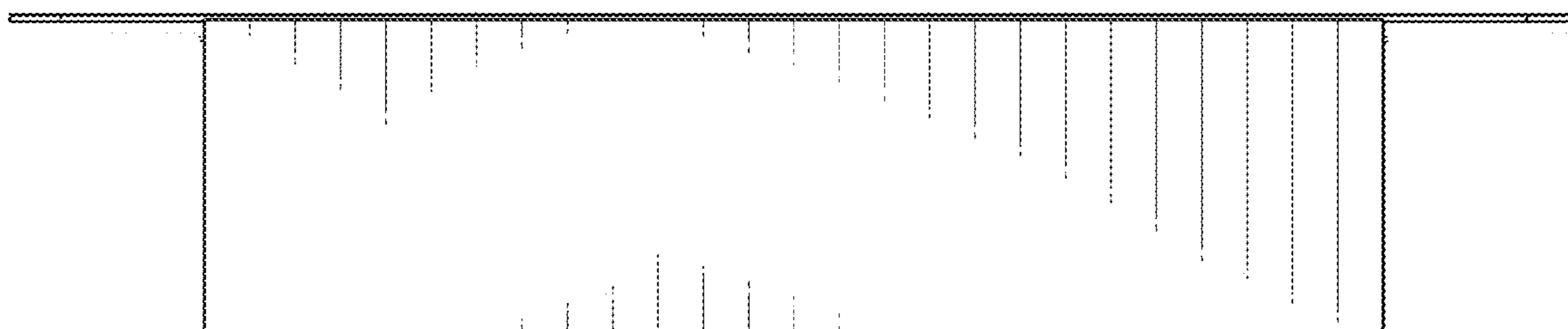


FIG. 6

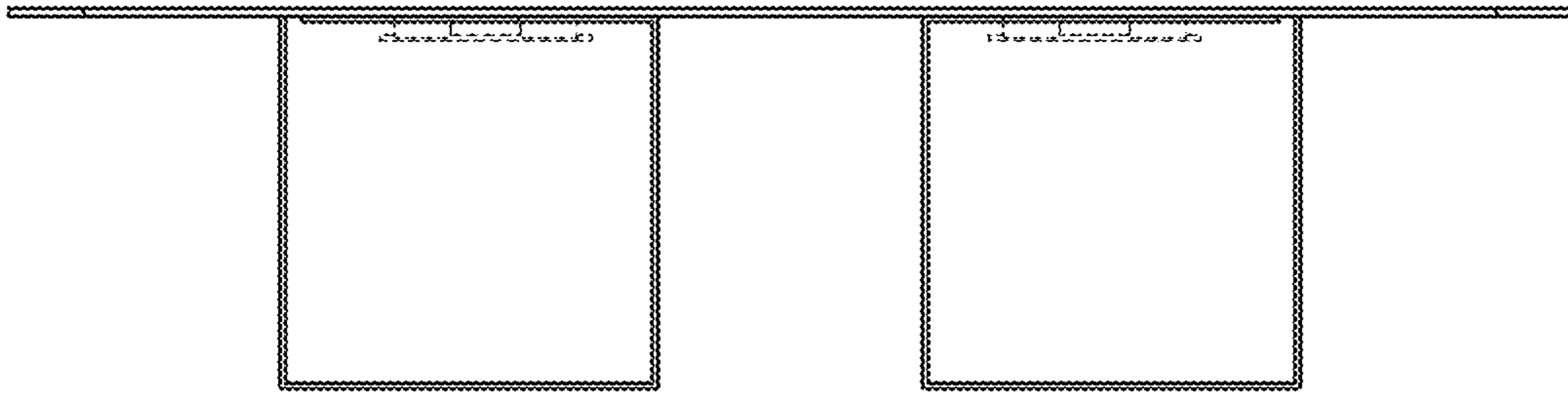


FIG. 7

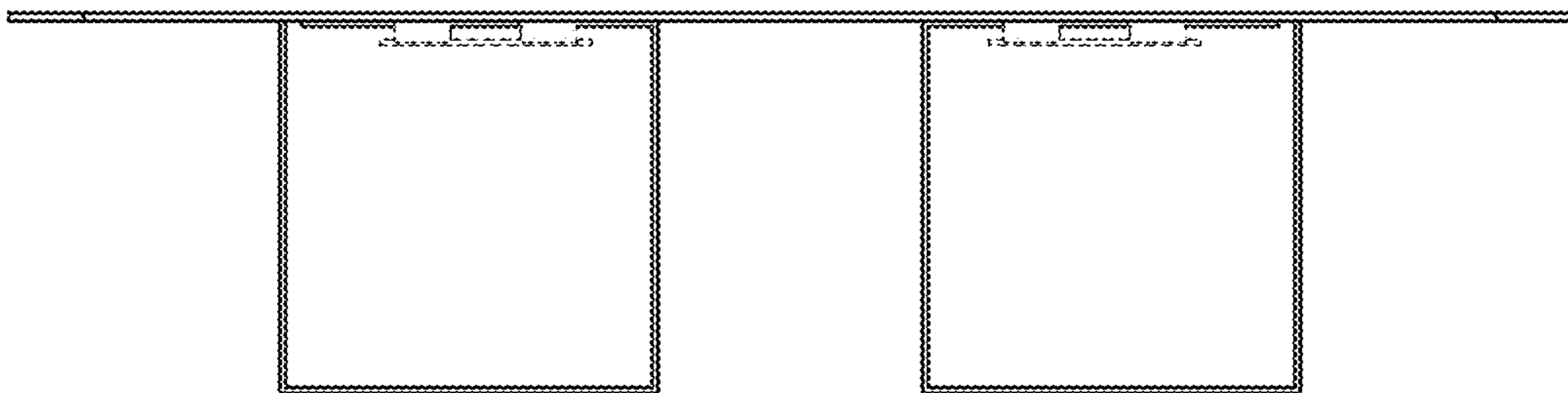


FIG. 8