



US00D925156S

(12) **United States Design Patent** (10) **Patent No.:** **US D925,156 S**
Nash (45) **Date of Patent:** **** Jul. 13, 2021**

(54) **CONTROLLER**

(71) Applicant: **Harmar Mobility, LLC**, Sarasota, FL (US)

(72) Inventor: **Derek J. Nash**, Bradenton, FL (US)

(73) Assignee: **Harmar Mobility, LLC**, Sarasota, FL (US)

(**) Term: **15 Years**

(21) Appl. No.: **29/705,642**

(22) Filed: **Sep. 13, 2019**

(51) **LOC (13) Cl.** **12-05**

(52) **U.S. Cl.**
USPC **D34/35; D13/162**

(58) **Field of Classification Search**
USPC 13/158, 162, 164; 15/28, 122, 146;
D14/247, 388, 415, 443; D35/28, 33, 35
CPC B65G 1/0427; G05G 9/00; G06Q 10/08;
B66B 3/002; B66B 5/02; B66B 9/00
See application file for complete search history.

(56) **References Cited**

U.S. PATENT DOCUMENTS

5,141,380	A *	8/1992	Kato	B65G 1/0421 414/273
D331,388	S *	12/1992	Dahnert	D13/162
5,916,288	A *	6/1999	Hartman	B60K 35/00 701/36
6,086,314	A	7/2000	Savaria		
D546,770	S *	7/2007	Herbstritt	D13/162
D563,624	S *	3/2008	Kato	D34/35
D578,272	S *	10/2008	Kato	D15/28
D578,273	S *	10/2008	Kato	D34/35
D635,101	S *	3/2011	Farrow	D13/162
D820,220	S *	6/2018	Kato	D13/162
D859,775	S	9/2019	Nilsson		
10,421,609	B2 *	9/2019	Otto	B65G 1/0407

D874,081	S	1/2020	De Jong		
D891,023	S	7/2020	Wenjing et al.		
2007/0137944	A1	6/2007	Lam		
2008/0060880	A1	3/2008	Finkbeiner		
2015/0272799	A1	10/2015	Tiffin et al.		
2018/0111809	A1	4/2018	Rodenburg		
2021/0078824	A1 *	3/2021	Nash	B66B 5/02

OTHER PUBLICATIONS

Freedom Easy Ride II, Vertical Platform Lift, Owner;s Manual, FREEDOMLiftSystems by Accessibility Professionals, Apr. 10, 2020; 24 pgs.; https://www.freedomliftsystems.com/APFVPLR400STRLLAL?gclid=EAIaIqobChMlp6vsoc_Y7wIVkjlCh1_kAA5EAQYAiABEgKNO_D_BwE.* Harmar VPL, announced 2020 [online], [site visited Nov. 3, 2020]. Available from internet, URL: <https://harmar.com/home-lifts/rpl/> (Year: 2020).

(Continued)

Primary Examiner — Selina Sikder
(74) *Attorney, Agent, or Firm* — Banner & Witcoff, Ltd.

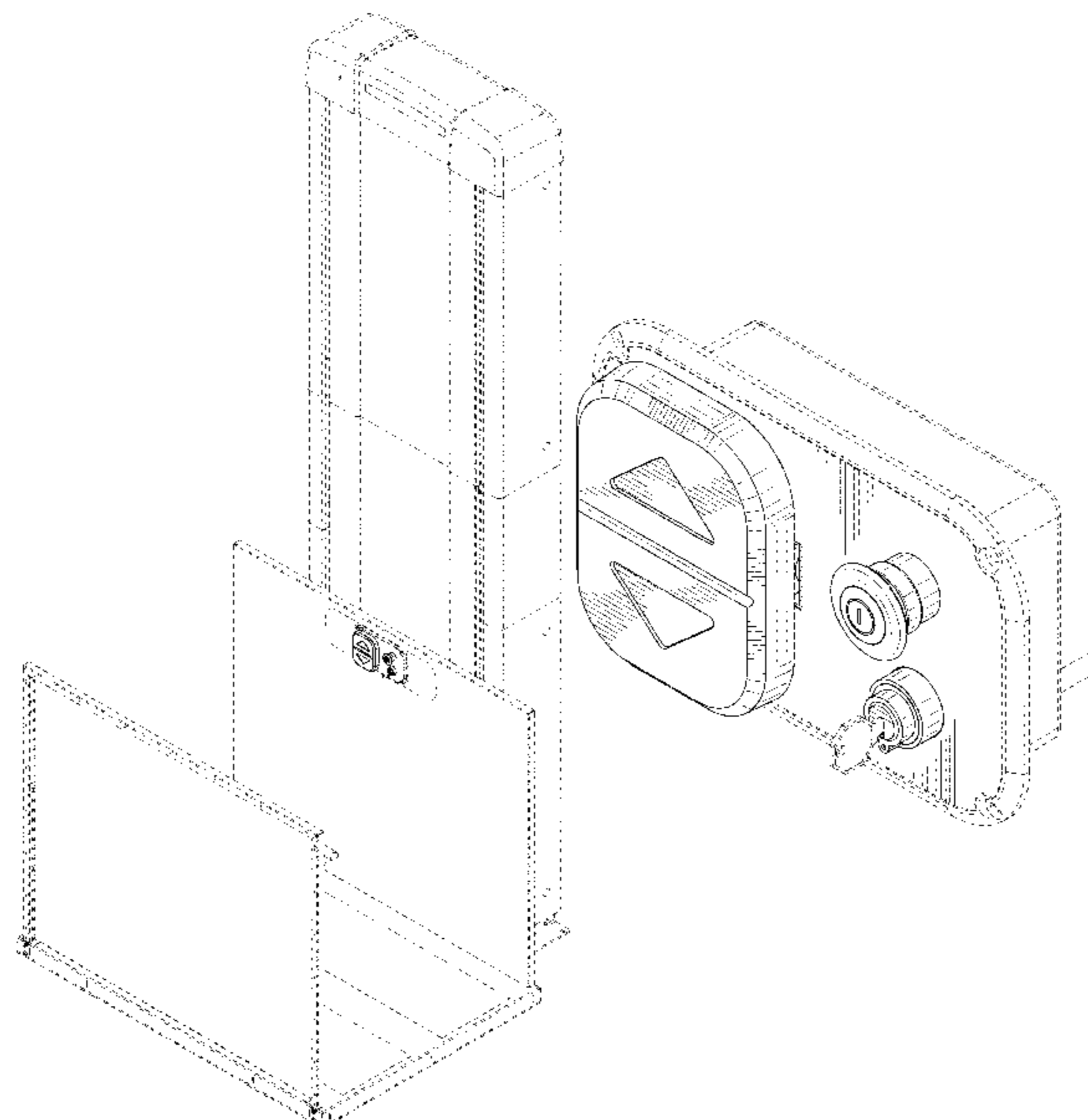
(57) **CLAIM**

The ornamental design for a controller, as shown and described.

DESCRIPTION

FIG. 1 is a top, front, right perspective view of a controller showing my new design in an exemplary environment; FIG. 2 is a top, front, right perspective view of a controller showing my new design; FIG. 3 is a front view thereof; FIG. 4 is a right side view thereof; FIG. 5 is a left side view thereof; FIG. 6 is a top view thereof; and, FIG. 7 is a bottom view thereof. The broken lines in the drawings depict portions of the controller that form no part of the claimed design.

1 Claim, 7 Drawing Sheets



(56)

References Cited

OTHER PUBLICATIONS

Trus-T Lift, announced 2020 [online], [site visited Nov. 3, 2020]. Available from internet, URL: <https://assisted-lifting.com/products/trus-t-lift-residential-wheelchair-lift> (Year: 2020).

Freedom Lift, announced 2020 [online], [site visited Nov. 3, 2020]. Available from internet, URL: <https://www.freedomliftsystems.com/APFLR400STRAL> (Year: 2020).

AmeriGlide, announced 2020 [online], [site visited Nov. 3, 2020]. Available from internet, URL: <https://www.ameriglide.com/item/AmeriGlide-AG-HERCJR.html> (Year: 2014).

* cited by examiner

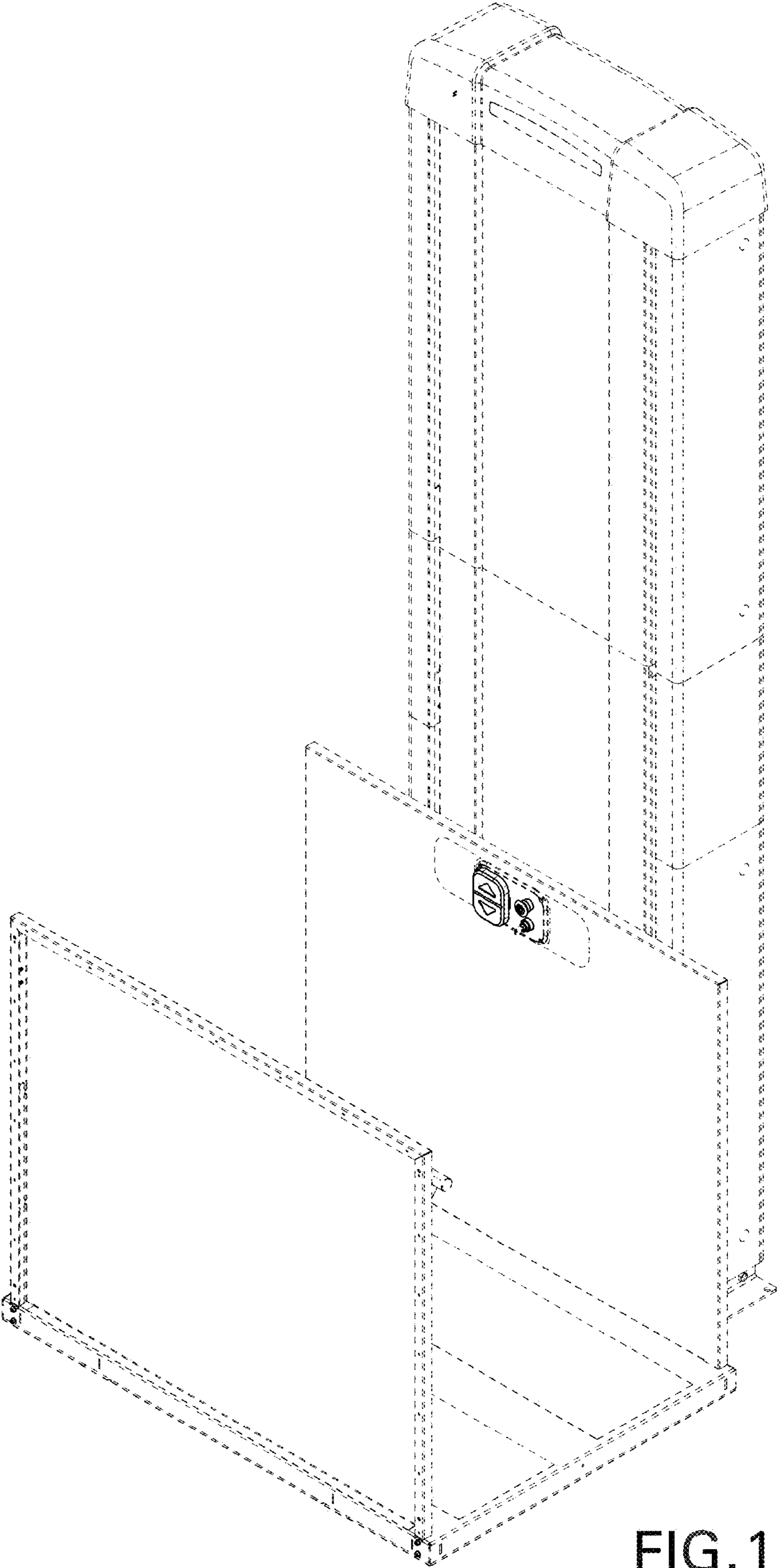


FIG. 1

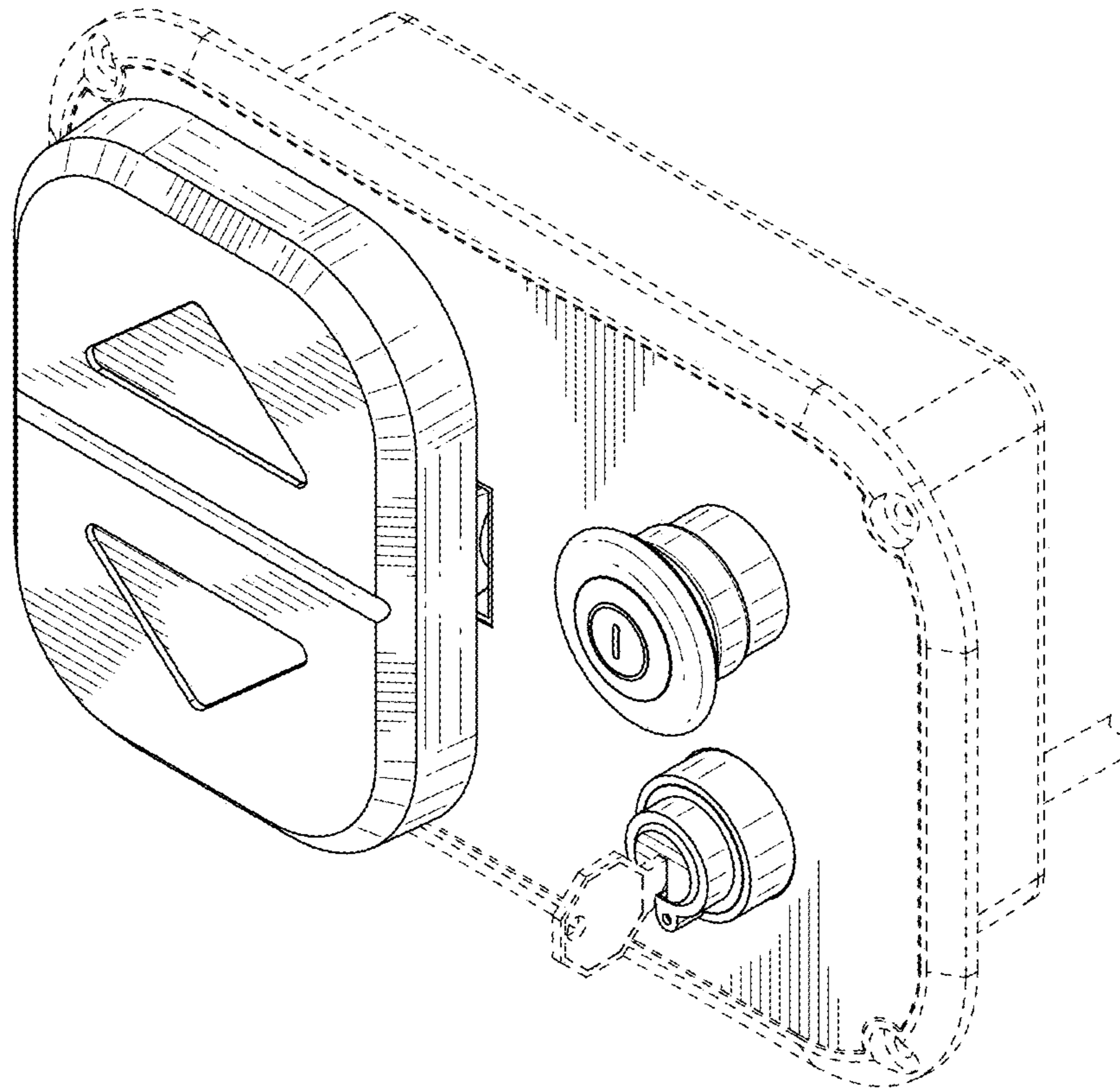


FIG. 2

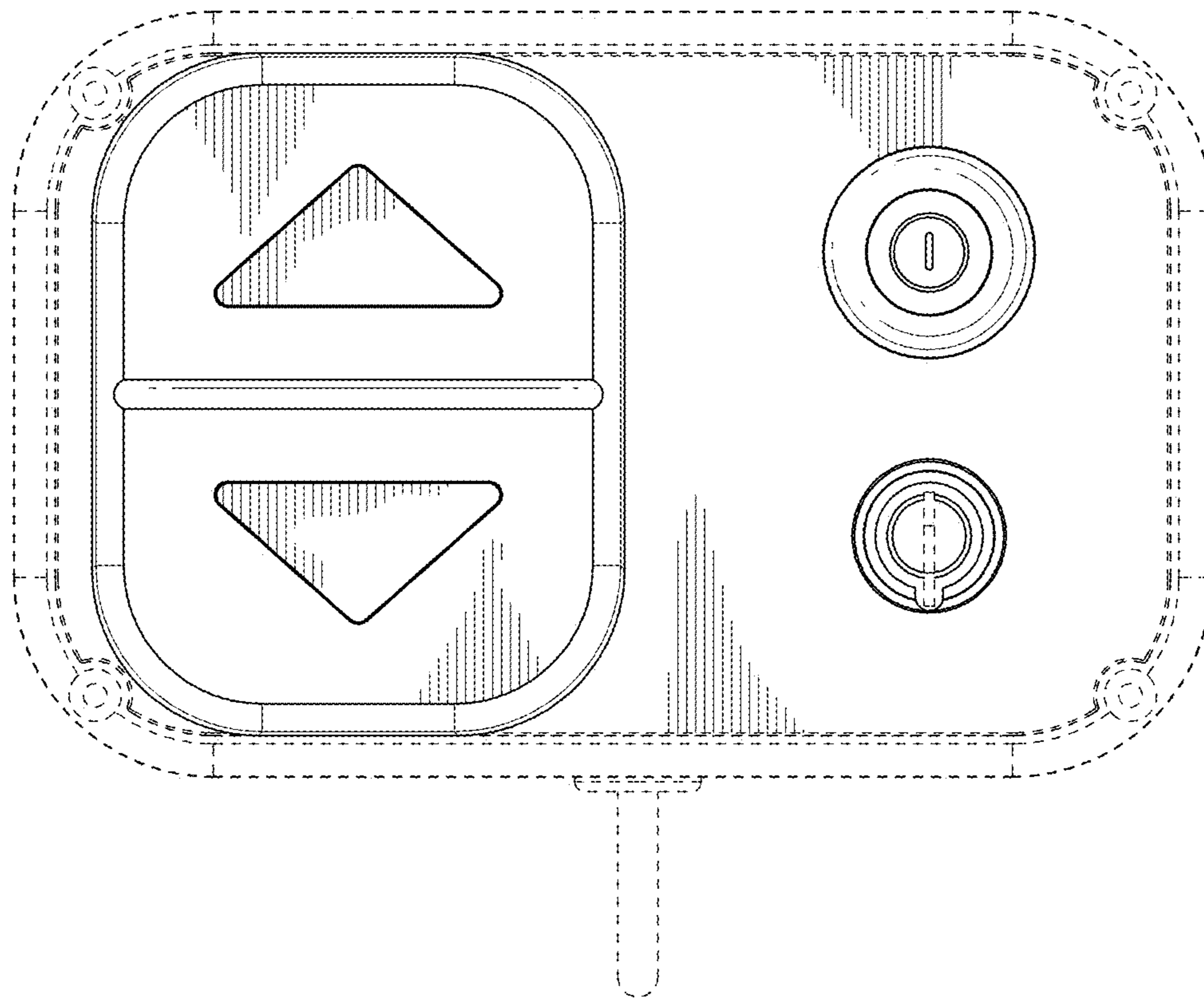


FIG. 3

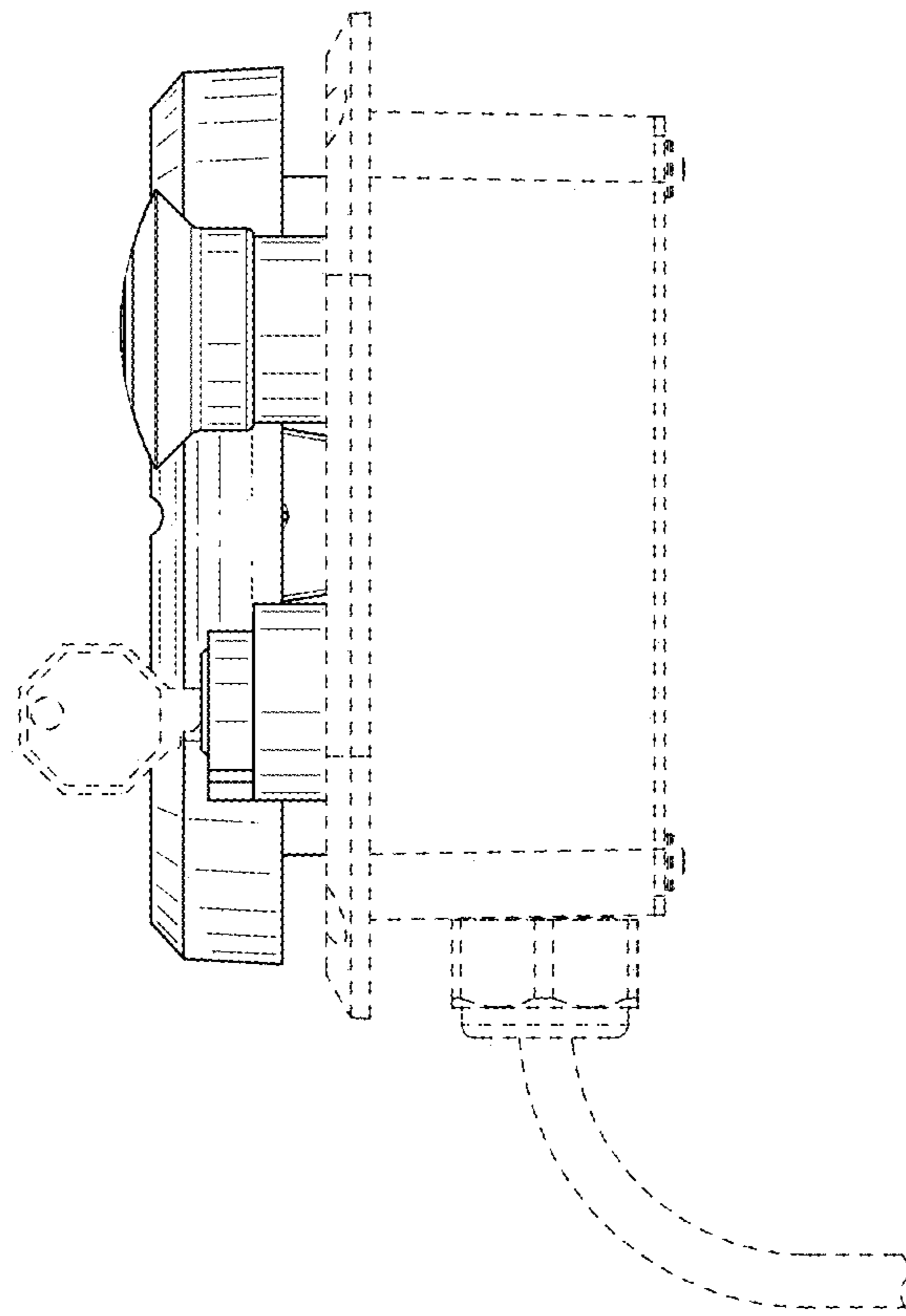


FIG. 4

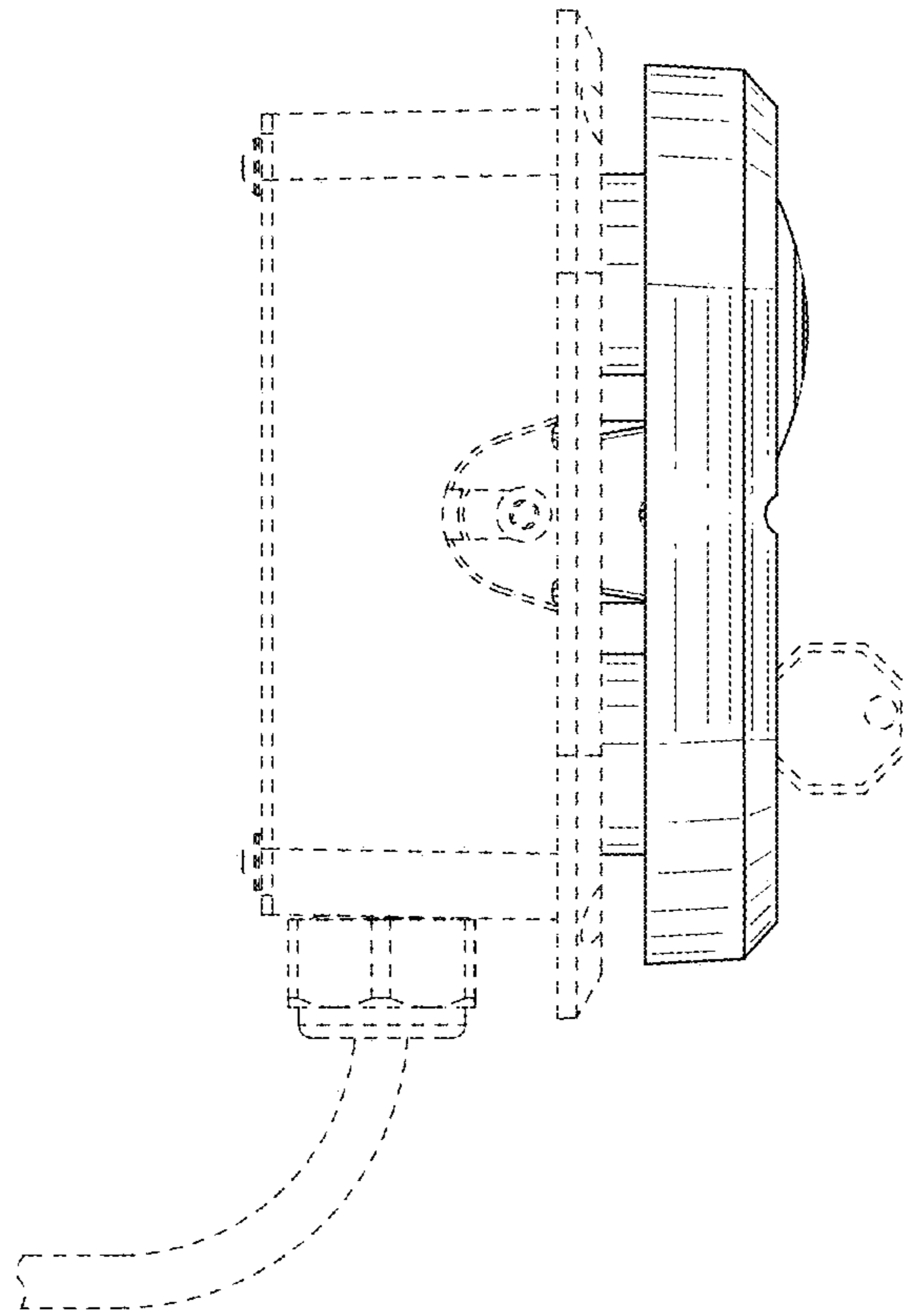


FIG. 5

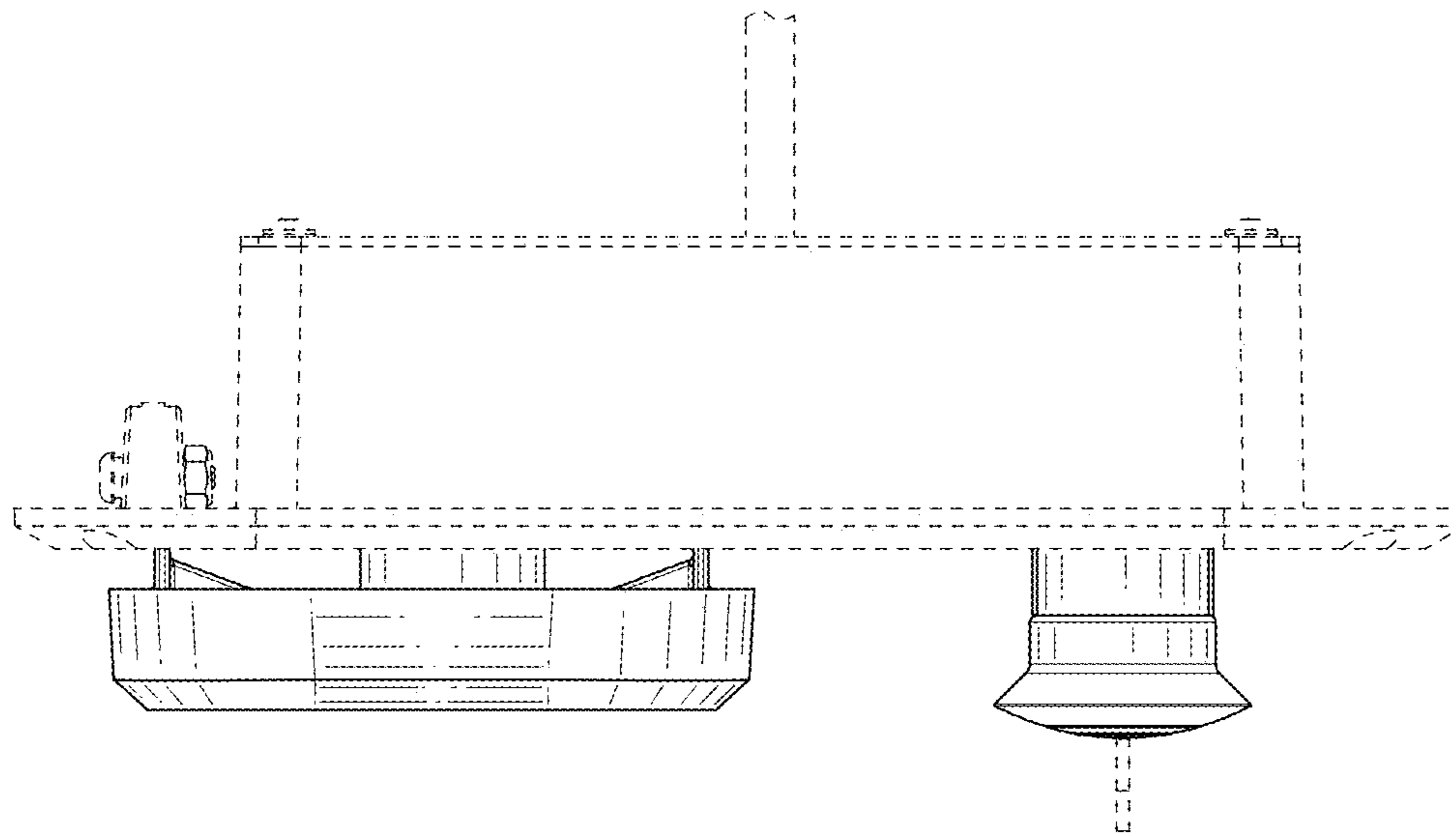


FIG. 6

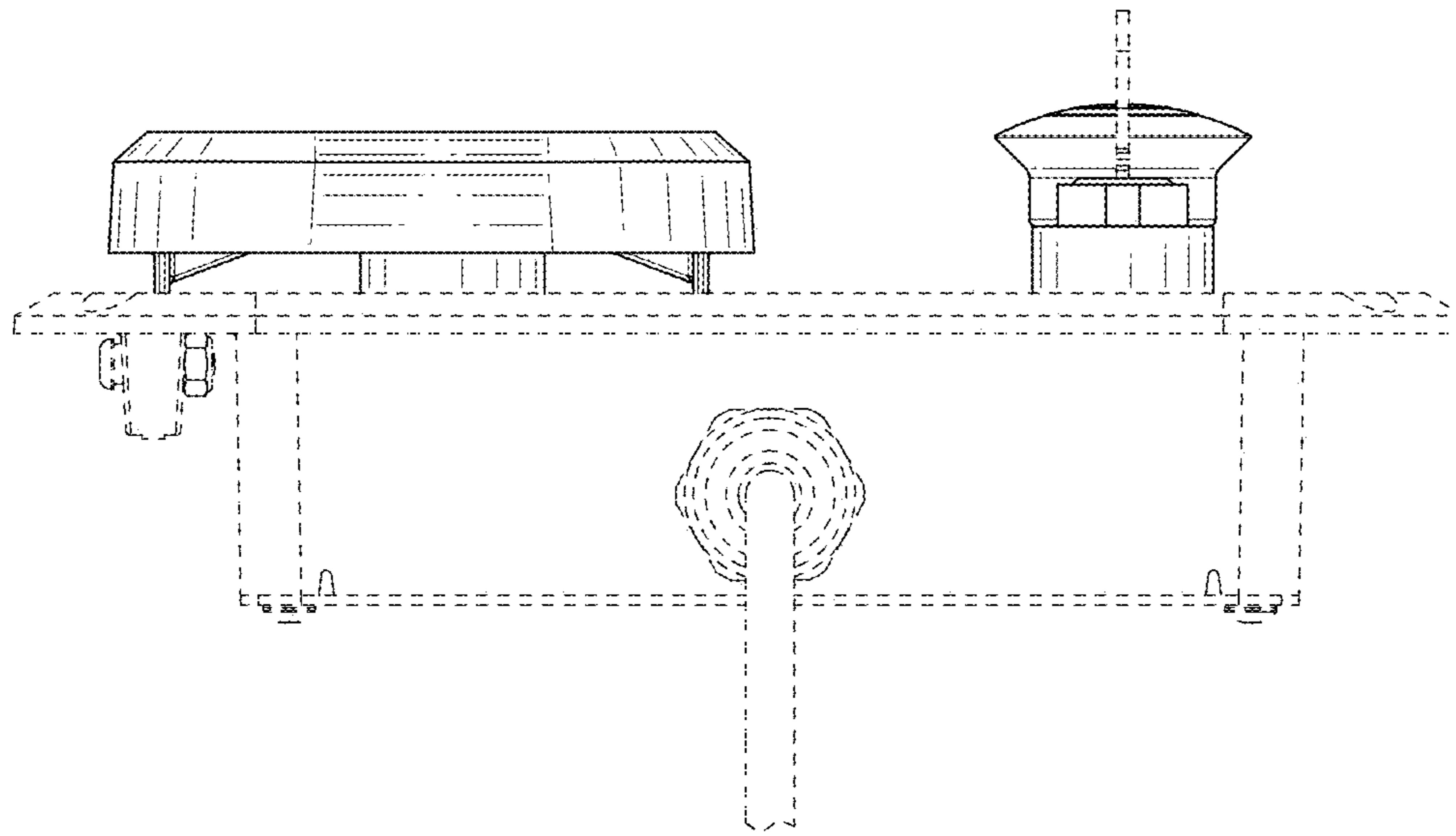


FIG. 7