



US00D925155S

(12) **United States Design Patent** (10) **Patent No.:** **US D925,155 S**  
**Frech** (45) **Date of Patent:** **\*\* Jul. 13, 2021**

(54) **ASSEMBLED PART OF A CRANE HAVING THE COLORS**

(71) Applicant: **Liebherr-Werk Biberach GmbH**,  
Biberach/Riß (DE)

(72) Inventor: **Hans-Martin Frech**,  
Ehingen-Volkersheim (DE)

(\*\*) Term: **15 Years**

(21) Appl. No.: **35/506,480**

(22) Filed: **Nov. 29, 2018**

(80) **Hague Agreement Data**

Int. Filing Date: **Nov. 29, 2018**

Int. Reg. No.: **DM/200383**

Int. Reg. Date: **Nov. 29, 2018**

Int. Reg. Pub. Date: **Mar. 29, 2019**

(51) **LOC (13) Cl.** ..... **34-03**

(52) **U.S. Cl.**  
USPC ..... **D34/33**

(58) **Field of Classification Search**

USPC ..... D34/28, 33; D15/10, 22-25

CPC ..... B66C 19/007; B66C 13/18; B66C 13/46;

B66C 23/205; B66C 23/42; B66C 23/68;

B66C 23/702; B66C 2700/01

See application file for complete search history.

(56) **References Cited**

**U.S. PATENT DOCUMENTS**

D467,403 S \* 12/2002 Aquino ..... D34/33

D606,725 S \* 12/2009 Lavering ..... D34/33

D647,682 S *	10/2011	Lavering .....	D34/33
D656,291 S *	3/2012	Zhang .....	D34/33
D659,342 S *	5/2012	Cichetti .....	D34/33
D666,375 S *	8/2012	Bohnacker .....	D34/33
D683,514 S *	5/2013	Guo .....	D34/33
D732,788 S *	6/2015	Drummond .....	D34/33
D737,538 S *	8/2015	Kameyama .....	D34/33
D738,064 S *	9/2015	Ludescher .....	D34/33
D806,345 S *	12/2017	Torghelle .....	D34/33
D843,676 S *	3/2019	Wedl .....	D34/33

\* cited by examiner

*Primary Examiner* — Khawaja Anwar

(57) **CLAIM**

The ornamental design for an assembled part of a crane having the colors, as shown and described.

**DESCRIPTION**

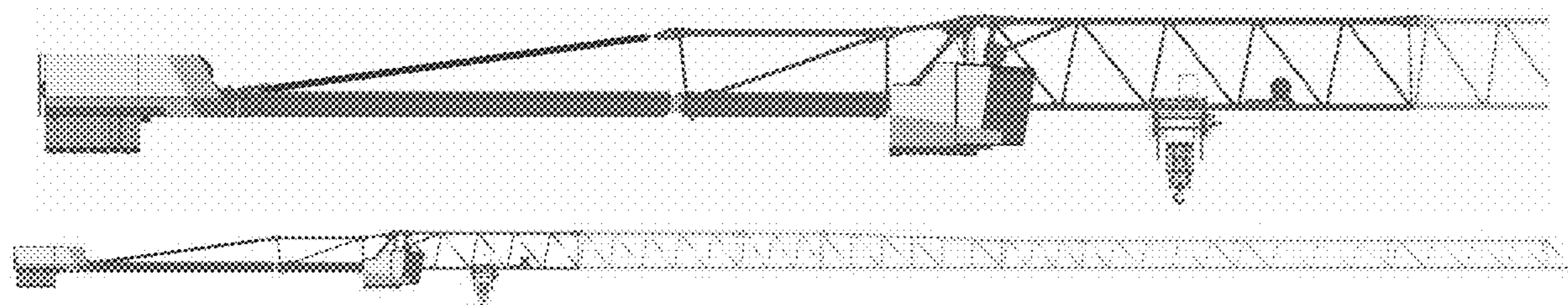
The patent or application file contains at least one drawing executed in color. Copies of this patent or patent application publication with color drawing(s) will be provided by the Office upon request and payment of the necessary fee.

**1.1** : Side view

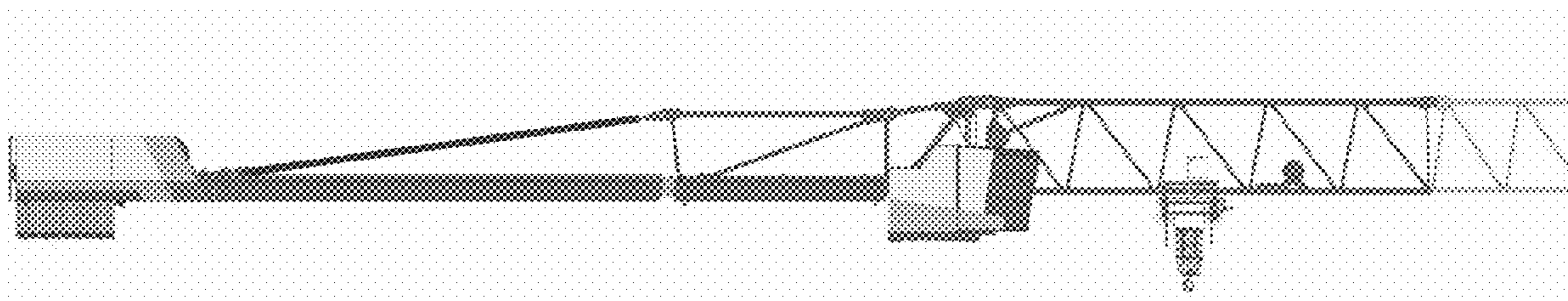
**2.1** : Side view

A grey connecting part of a jib, a grey counterjib, and an operator's cab with a side plate of the operator's cab which has a lower yellow color field and an upper white color field. The design shown in this figure excludes the shown yellow outer part of the jib connected to the connecting part. **2.1**: A grey connecting part of a jib, yellow outer part of the jib connected to the connecting part, a grey counterjib and an operator's cab with a side plate of the operator's cab which has a lower yellow color field and an upper white color field.

**1 Claim, 2 Drawing Sheets**  
**(2 of 2 Drawing Sheet(s) Filed in Color)**



1.1



2.1

