



US00D925154S

(12) **United States Design Patent**
Xing

(10) **Patent No.:** **US D925,154 S**

(45) **Date of Patent:** **** Jul. 13, 2021**

(54) **FOLDING LUGGAGE CART**

(71) Applicant: **Xiaoqiang Xing**, Guangzhou (CN)

(72) Inventor: **Xiaoqiang Xing**, Guangzhou (CN)

(**) Term: **15 Years**

(21) Appl. No.: **29/716,960**

(22) Filed: **Dec. 13, 2019**

(51) **LOC (13) Cl.** **12-02**

(52) **U.S. Cl.**
USPC **D34/17**

(58) **Field of Classification Search**
USPC D34/12-22
CPC B62B 1/12; B62B 3/02; B62B 3/06; B62B 3/14; B62B 5/0438; B62B 2200/432; B62B 1/20; B62B 1/186; B62B 1/125; B62B 65/06; B62B 65/067
See application file for complete search history.

(56) **References Cited**

U.S. PATENT DOCUMENTS

D285,949 S *	9/1986	Thomson	D21/534
D335,738 S *	5/1993	Tsai	D34/12
D415,600 S *	10/1999	Hsieh	D34/12
D448,536 S *	9/2001	Treschitta	D34/12
D758,687 S *	6/2016	Shitrit	D34/12
D833,102 S *	11/2018	Liao	D34/12
D865,312 S *	10/2019	Beaulieu	D34/15

D896,462 S *	9/2020	Lee	D34/17
2004/0108667 A1 *	6/2004	Tsai	B62B 1/12 280/40
2006/0261564 A1 *	11/2006	Chuang	B62B 1/125 280/47.27
2015/0208780 A1 *	7/2015	Avery	B62B 1/12 280/652
2021/0107547 A1 *	4/2021	Rivera	B62B 1/008

* cited by examiner

Primary Examiner — Cynthia Ramirez

(74) *Attorney, Agent, or Firm* — Rumit Ranjit Kanakia

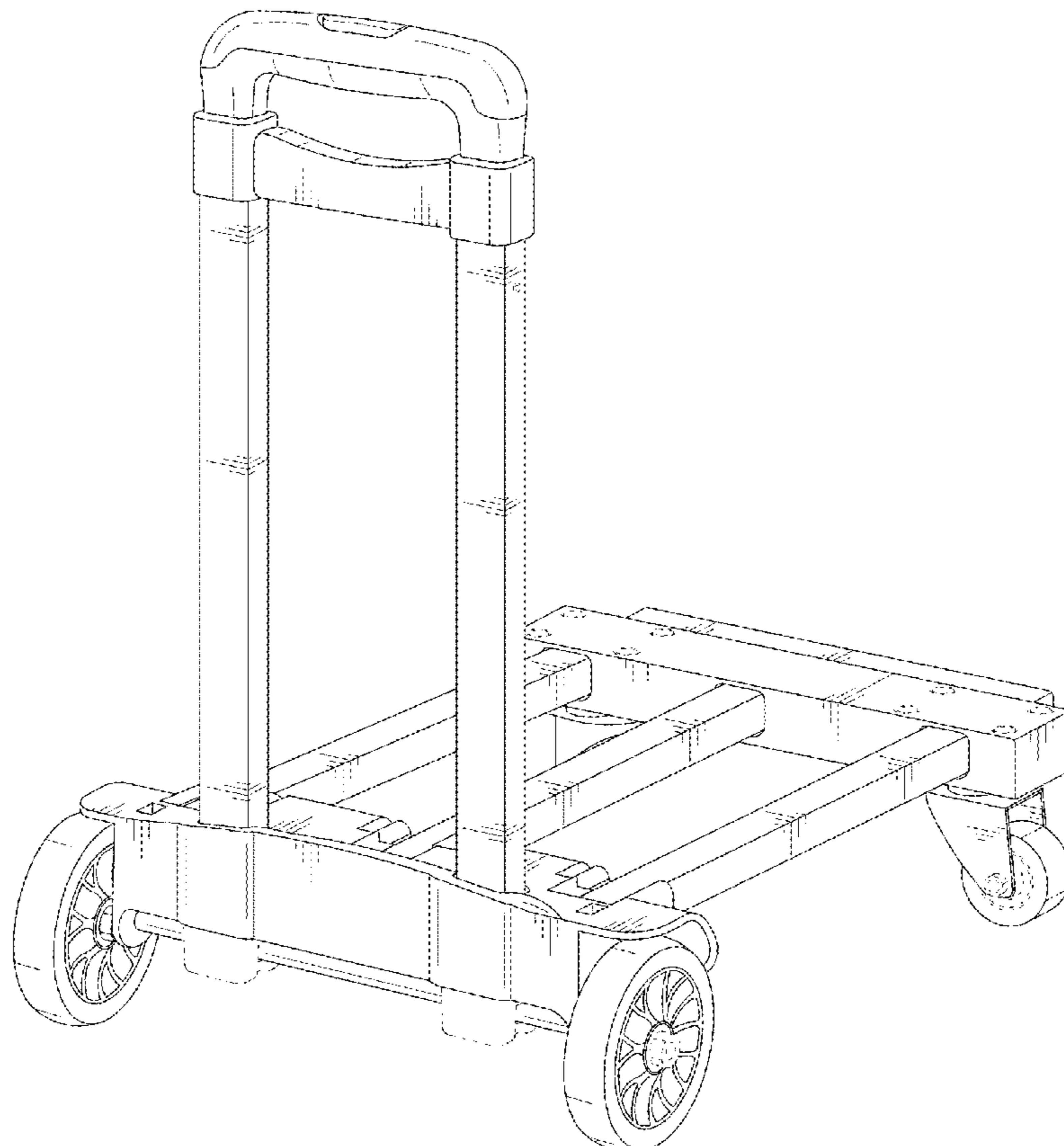
(57) **CLAIM**

I claim the ornamental design for a folding luggage cart, as shown and described.

DESCRIPTION

FIG. 1 is a Perspective view of a folding luggage cart showing my new design;
FIG. 2 is a Front view thereof;
FIG. 3 is a Back view thereof;
FIG. 4 is a Right-side view thereof;
FIG. 5 is a Left-side view thereof;
FIG. 6 is a Top view thereof;
FIG. 7 is a Bottom view thereof; and,
FIG. 8 is another perspective view thereof, with the handle in an alternate position.
The broken lines in the figures show portions of the folding luggage cart, which form no part of the claimed design.

1 Claim, 8 Drawing Sheets



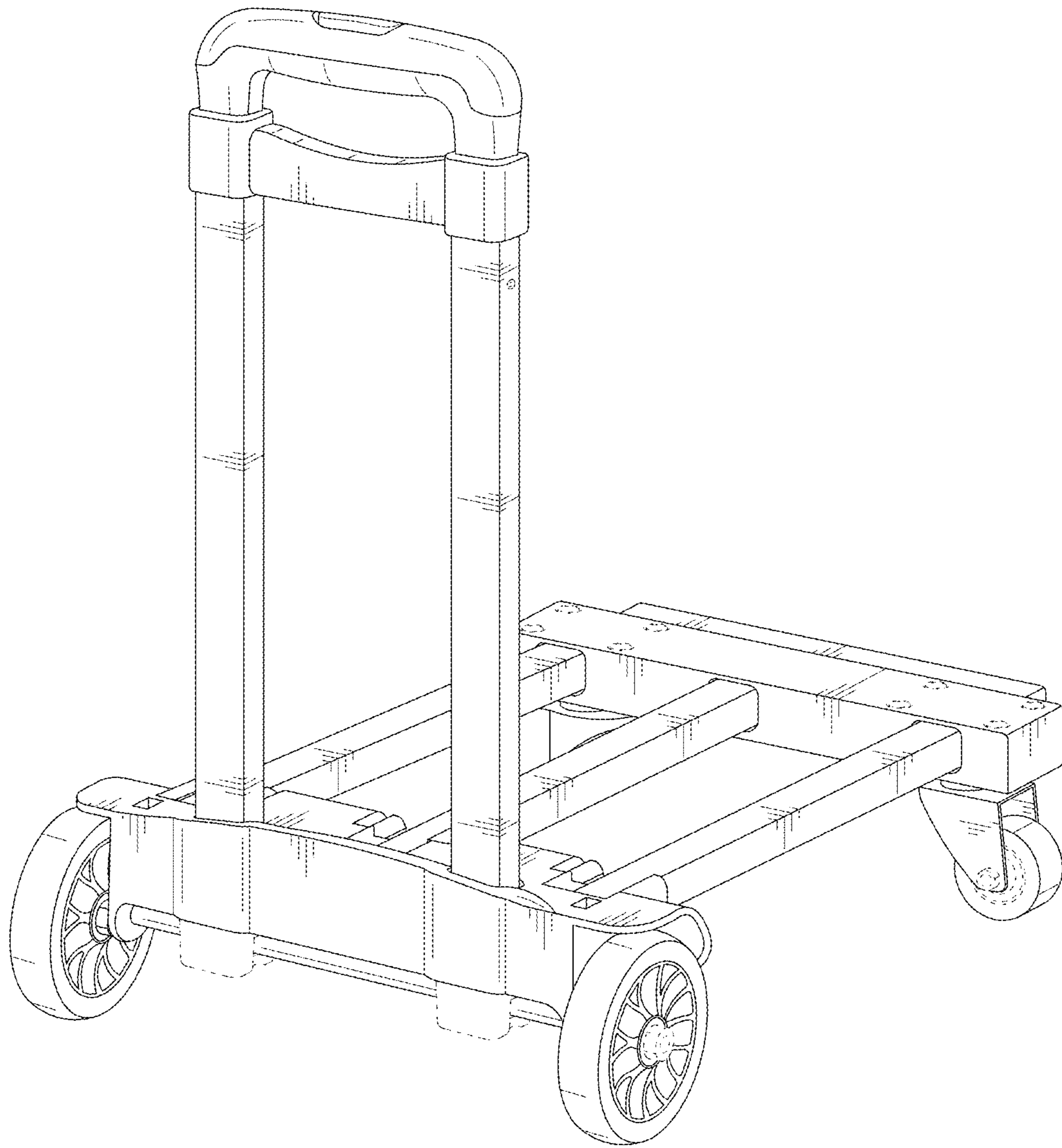


FIG. 1

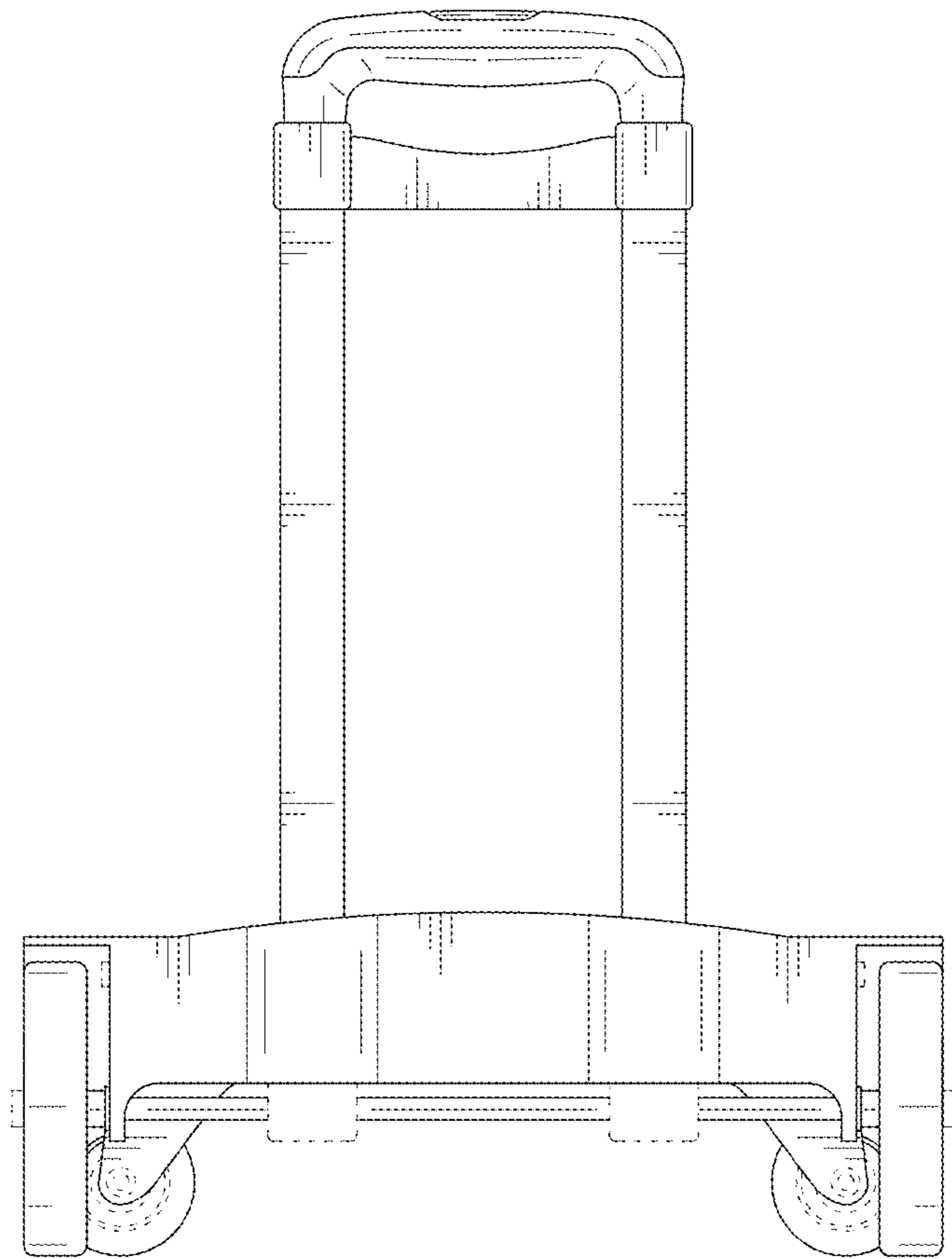


FIG. 2

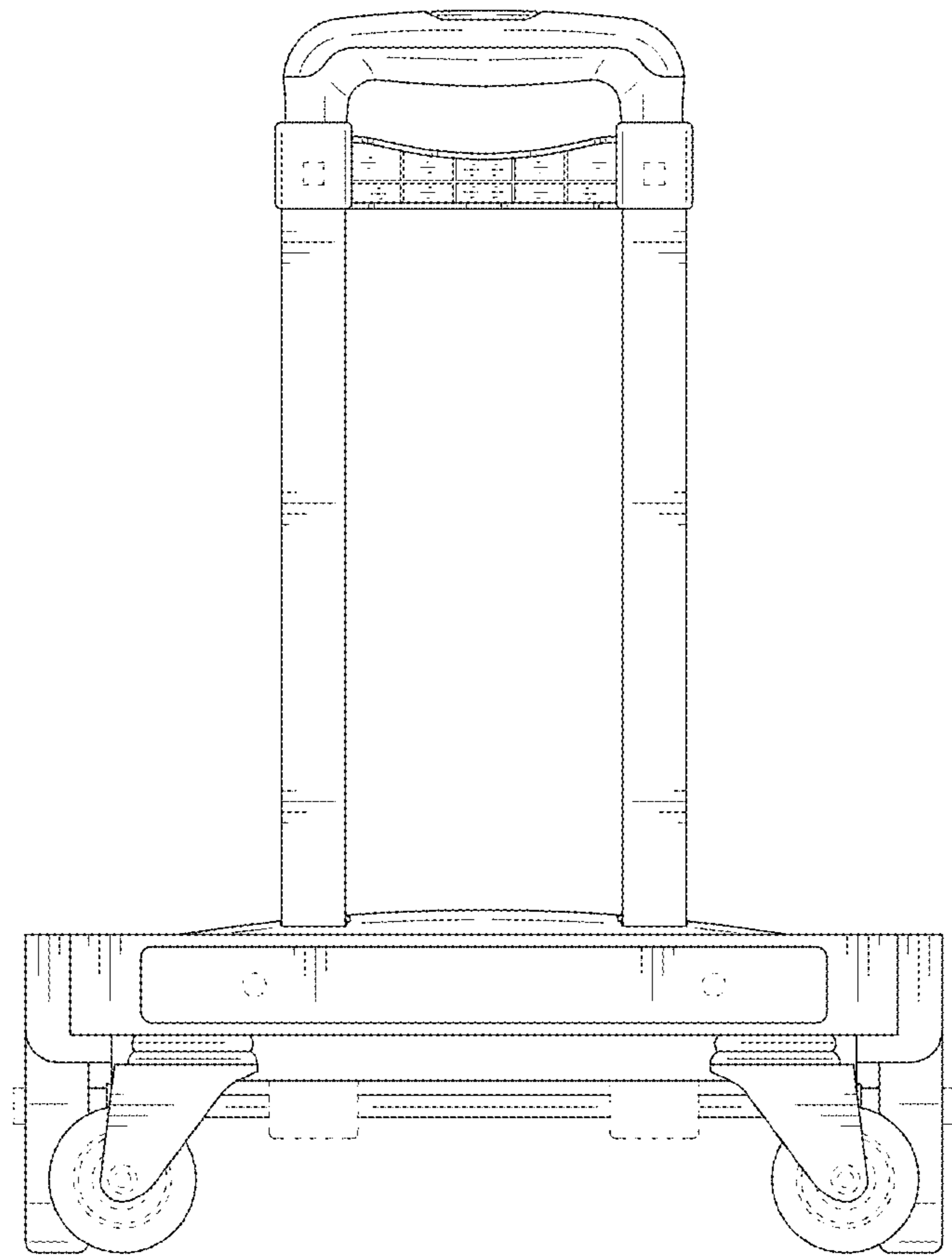


FIG. 3

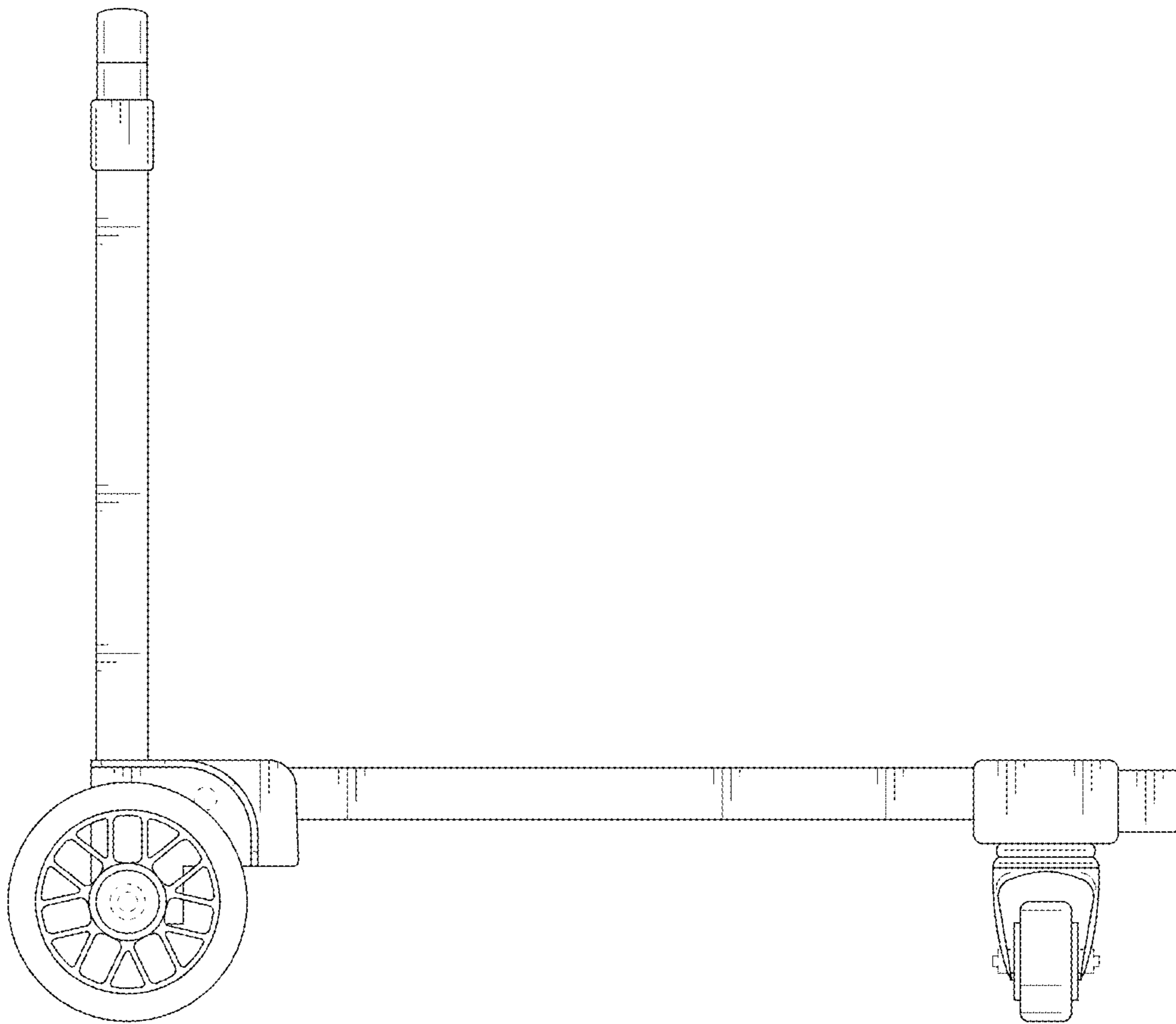


FIG. 4

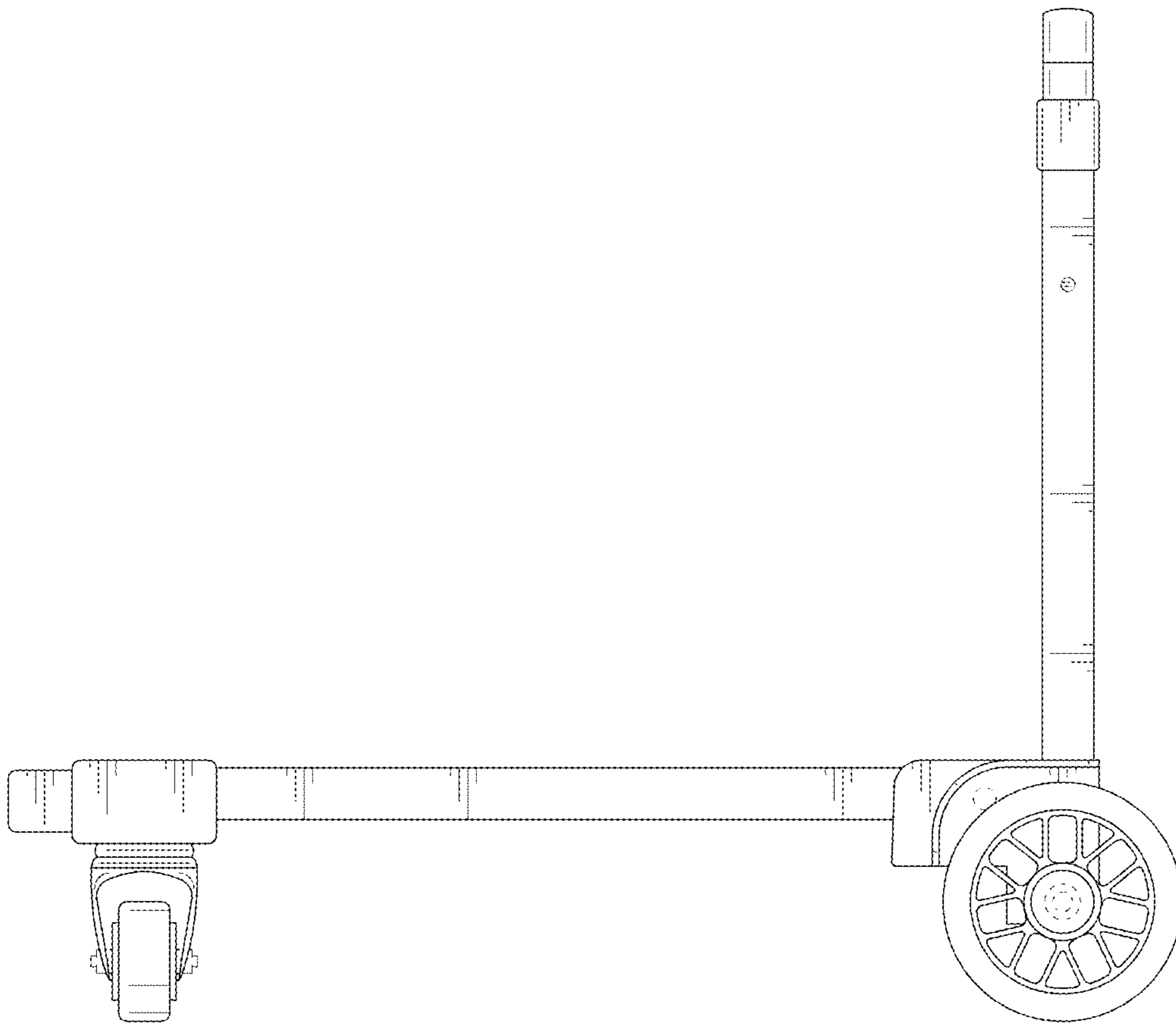


FIG. 5

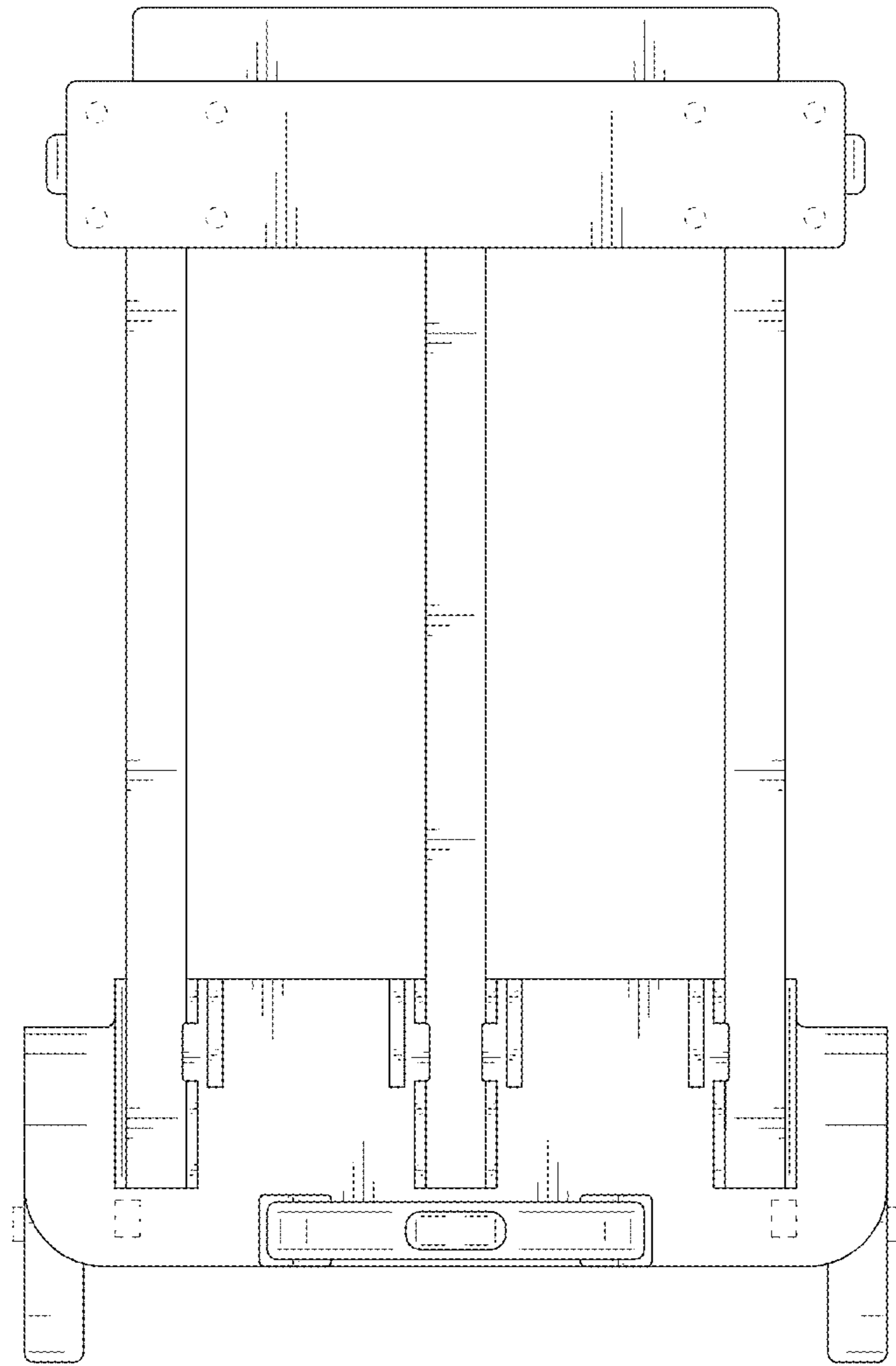


FIG. 6

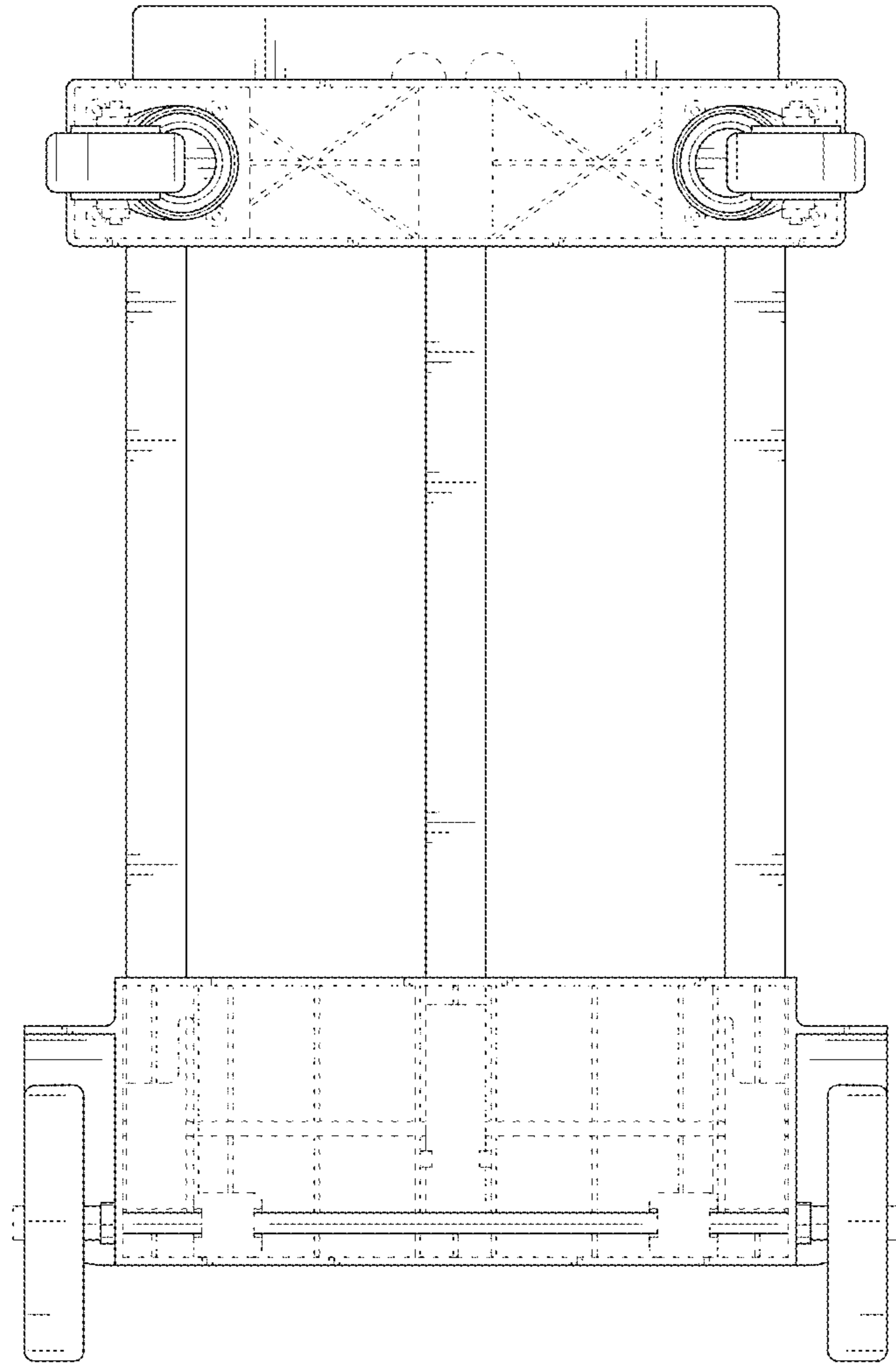


FIG. 7

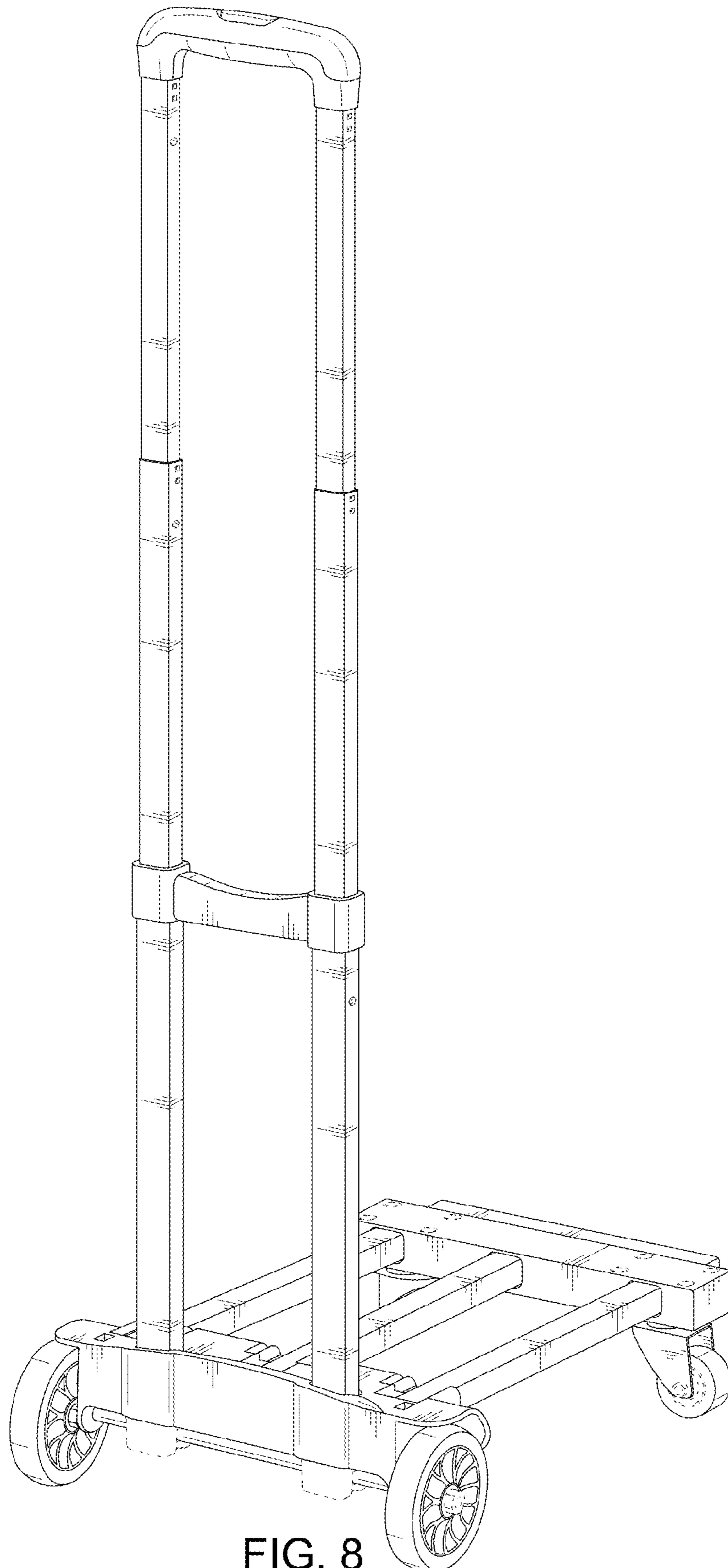


FIG. 8