



US00D925152S

(12) **United States Design Patent**  
**Park et al.**

(10) **Patent No.:** **US D925,152 S**

(45) **Date of Patent:** **\*\* Jul. 13, 2021**

(54) **HOT PLATE FOR IRON**

(71) Applicant: **LG ELECTRONICS INC.**, Seoul (KR)

(72) Inventors: **Kyutae Park**, Seoul (KR); **Jaecil Bae**, Seoul (KR); **Kyungah Lee**, Seoul (KR); **Hoil Jeon**, Seoul (KR); **Youngsoo Ha**, Seoul (KR)

(73) Assignee: **LG ELECTRONICS INC.**, Seoul (KR)

(\*\*) Term: **15 Years**

(21) Appl. No.: **29/724,791**

(22) Filed: **Feb. 19, 2020**

(30) **Foreign Application Priority Data**

Aug. 20, 2019 (KR) ..... 30-2019-0039777

(51) **LOC (13) Cl.** ..... **07-05**

(52) **U.S. Cl.**  
USPC ..... **D32/70**

(58) **Field of Classification Search**  
USPC ..... D32/70, 71, 73, 72, 69, 68, 35; D8/373, D8/349, 396, 30, 71; D15/144, 144.2; D28/73; 219/231, 242, 229; 165/80.1; 126/414  
CPC ..... D06F 75/34; D06F 75/08; D06F 75/38; D06F 75/00; F22B 27/14; B08B 3/006  
See application file for complete search history.

(56) **References Cited**

**U.S. PATENT DOCUMENTS**

D328,164 S \* 7/1992 Mishan ..... D32/71  
D491,705 S \* 6/2004 Mishan ..... D32/35

D492,826 S \* 7/2004 Mishan ..... D32/35  
D531,774 S \* 11/2006 Grossi ..... D32/70  
D594,617 S \* 6/2009 Yeung ..... D32/69  
D663,087 S \* 7/2012 Grossi ..... D32/70  
D707,007 S \* 6/2014 Smith ..... D32/70  
D714,007 S \* 9/2014 La Rovere ..... D32/70  
D733,381 S \* 6/2015 Shalvi ..... D32/70  
D739,630 S \* 9/2015 Luang ..... D32/70  
D762,935 S \* 8/2016 Dadon ..... D32/70  
D786,521 S \* 5/2017 Curien ..... D32/70  
D838,073 S \* 1/2019 Ahn ..... D32/70

\* cited by examiner

*Primary Examiner* — Austin Murphy

(74) *Attorney, Agent, or Firm* — Birch, Stewart, Kolasch & Birch, LLP

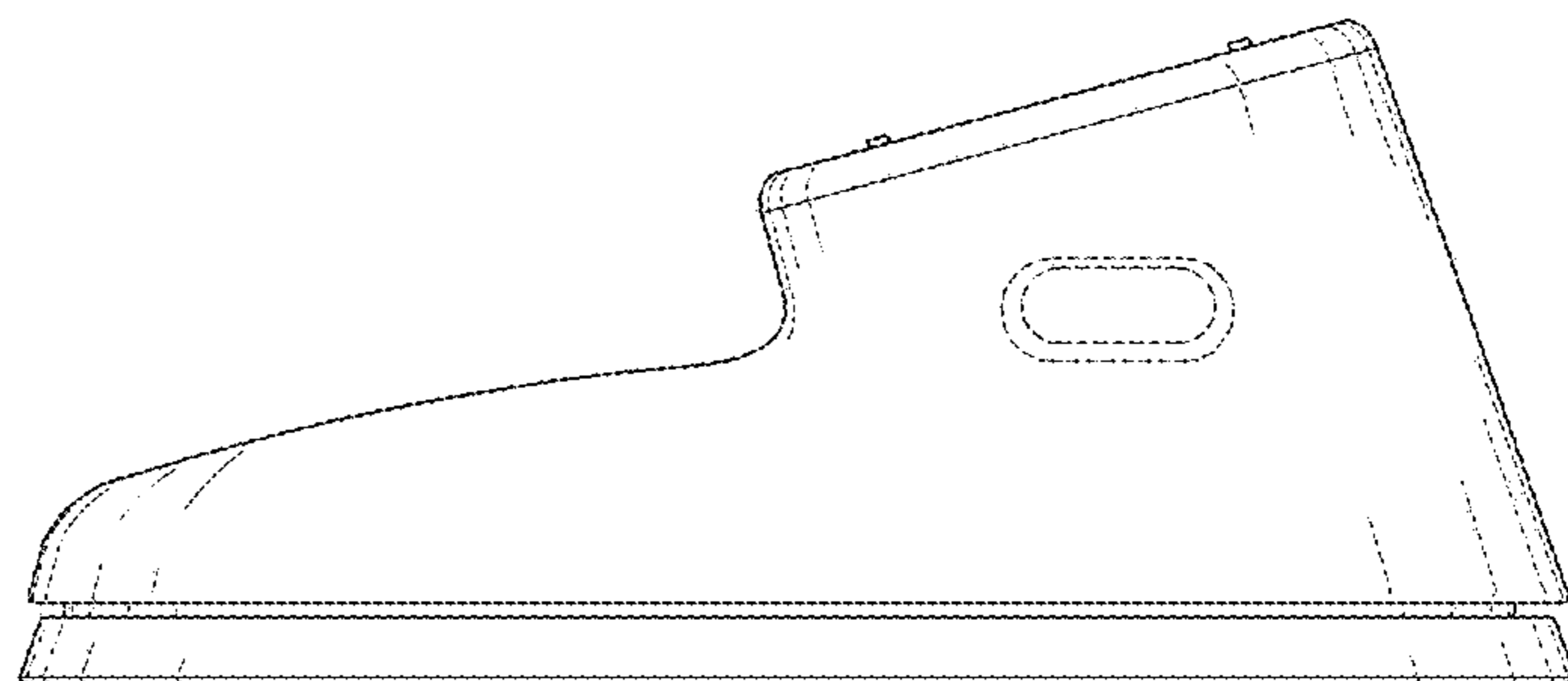
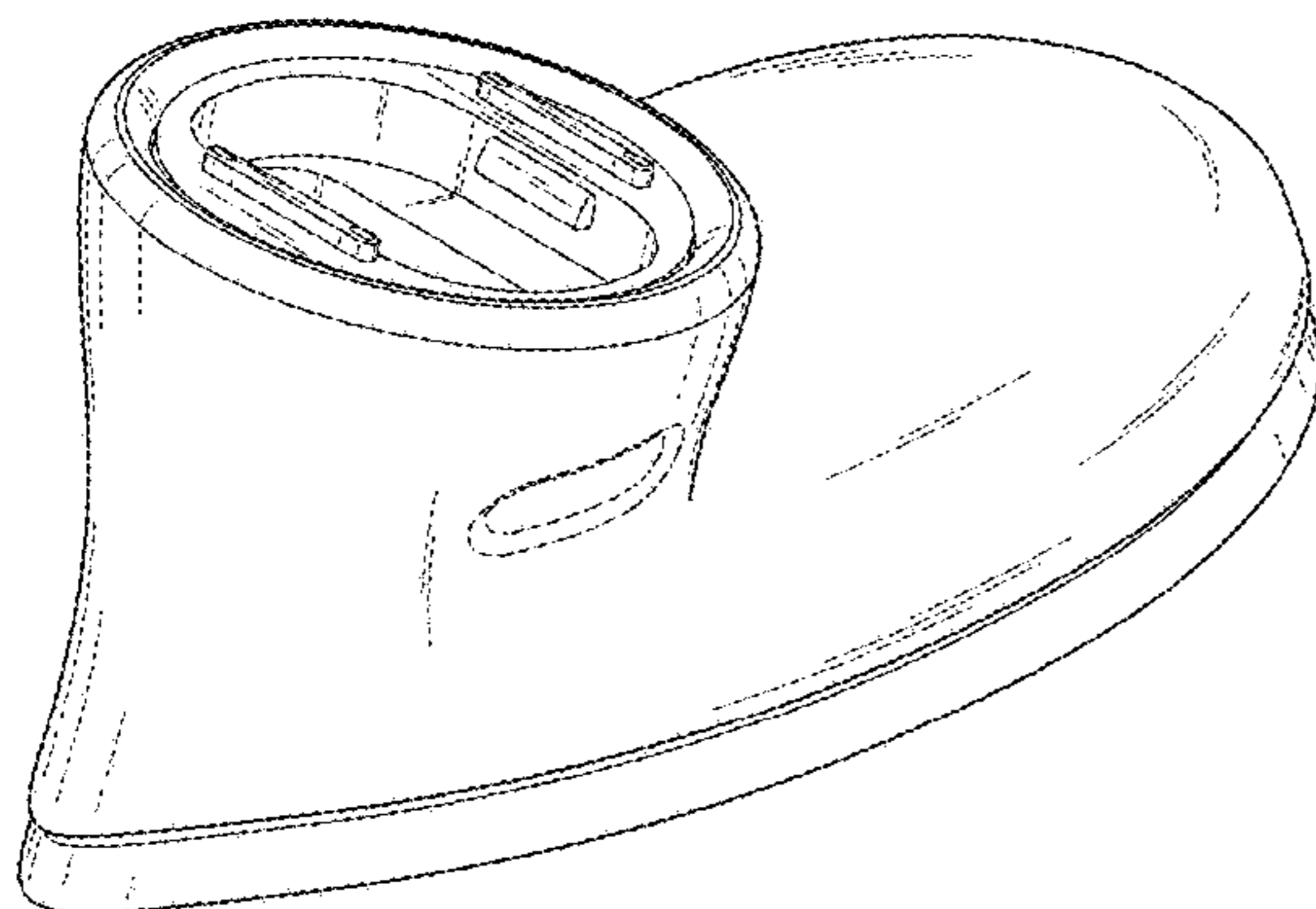
(57) **CLAIM**

We claim the ornamental design for a hot plate for iron, as shown and described.

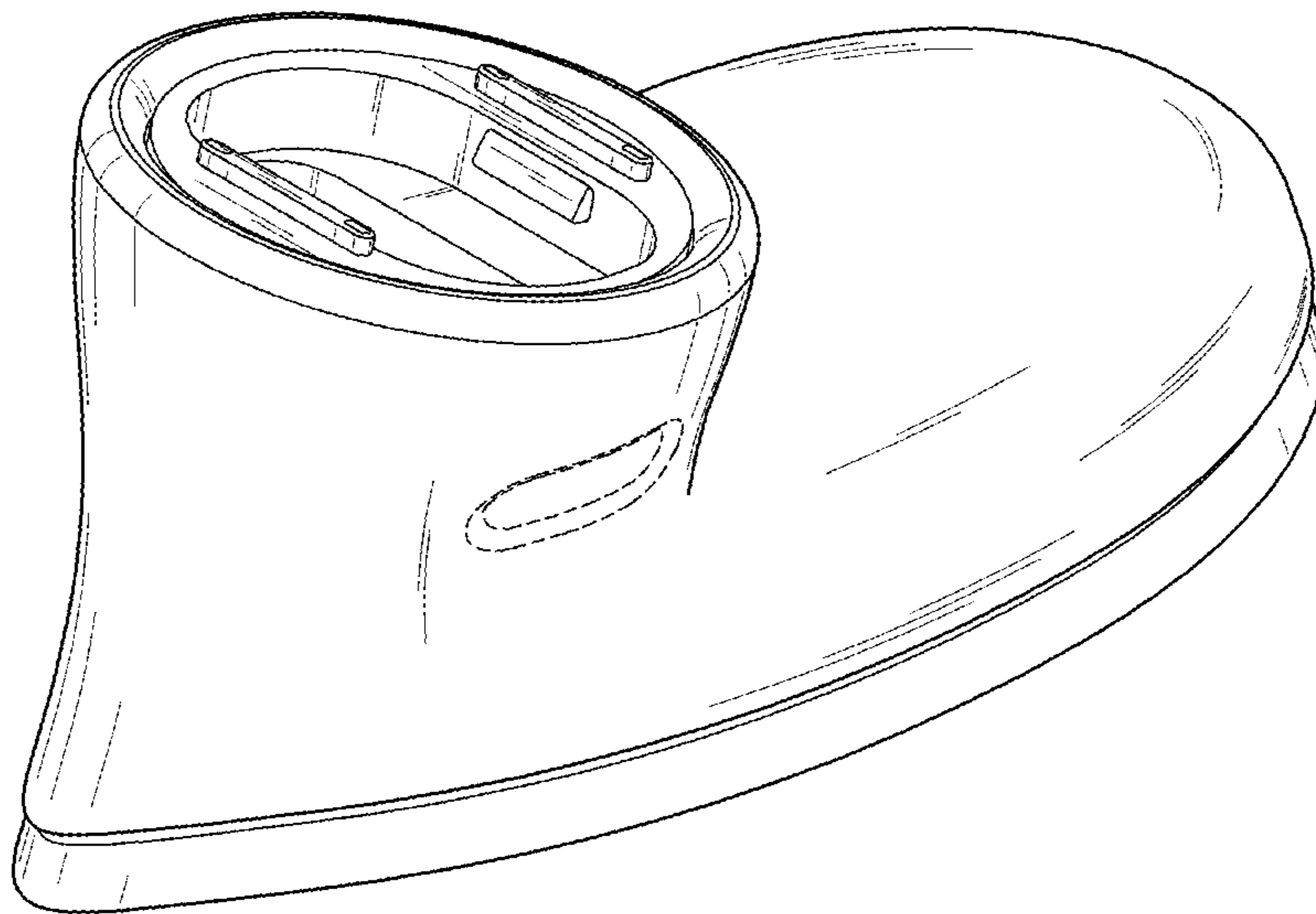
**DESCRIPTION**

FIG. 1 is a perspective view of a hot plate for iron showing the new design;  
FIG. 2 is a front elevation view thereof;  
FIG. 3 is a rear elevation view thereof;  
FIG. 4 is a left-side elevation view thereof;  
FIG. 5 is a right-side elevation view thereof;  
FIG. 6 is a top plan view thereof;  
FIG. 7 is a bottom plan view thereof; and,  
FIG. 8 is a perspective view showing a state of use thereof. Broken lines illustrate environmental condition only and form no part of the claimed design.

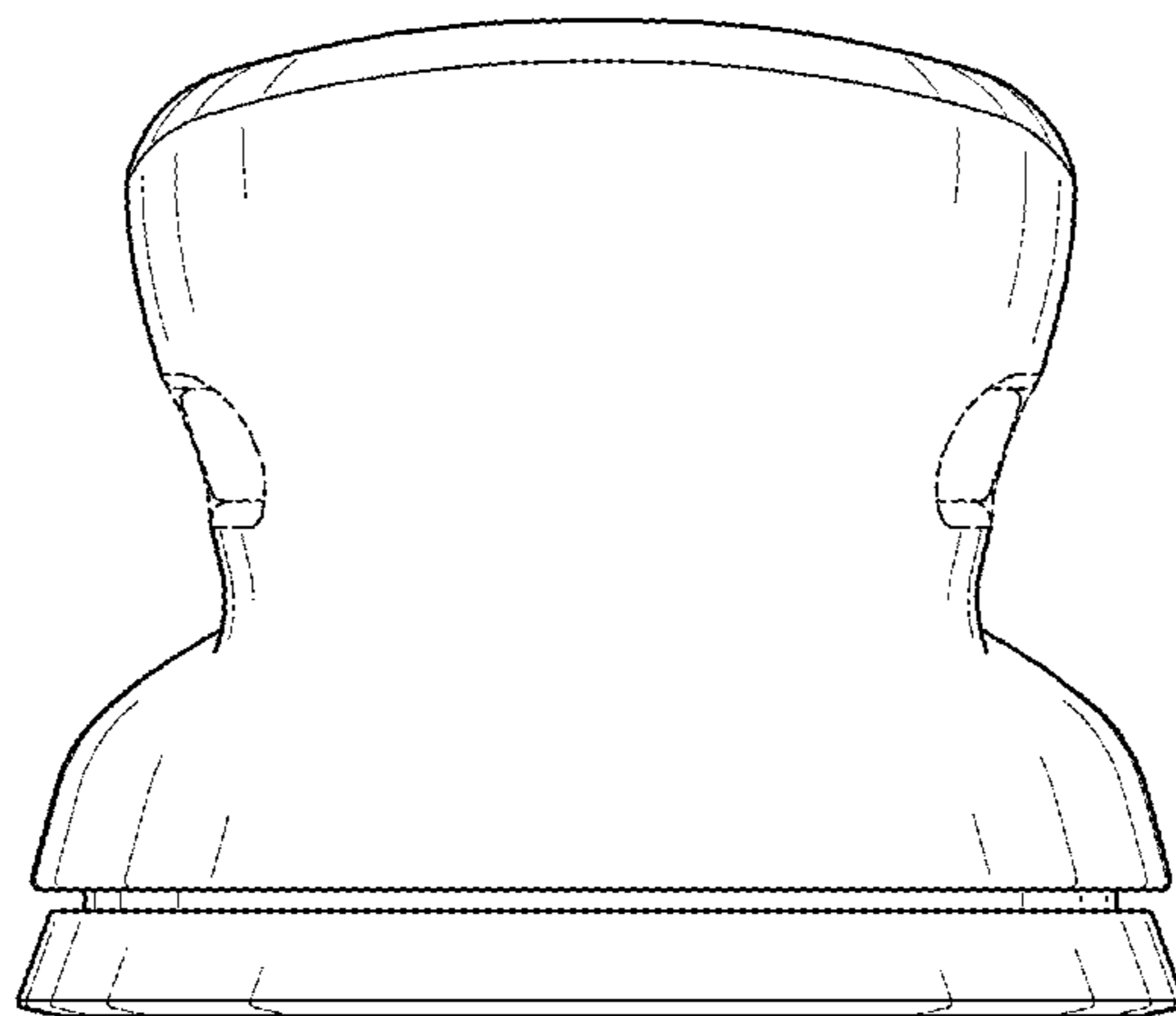
**1 Claim, 8 Drawing Sheets**



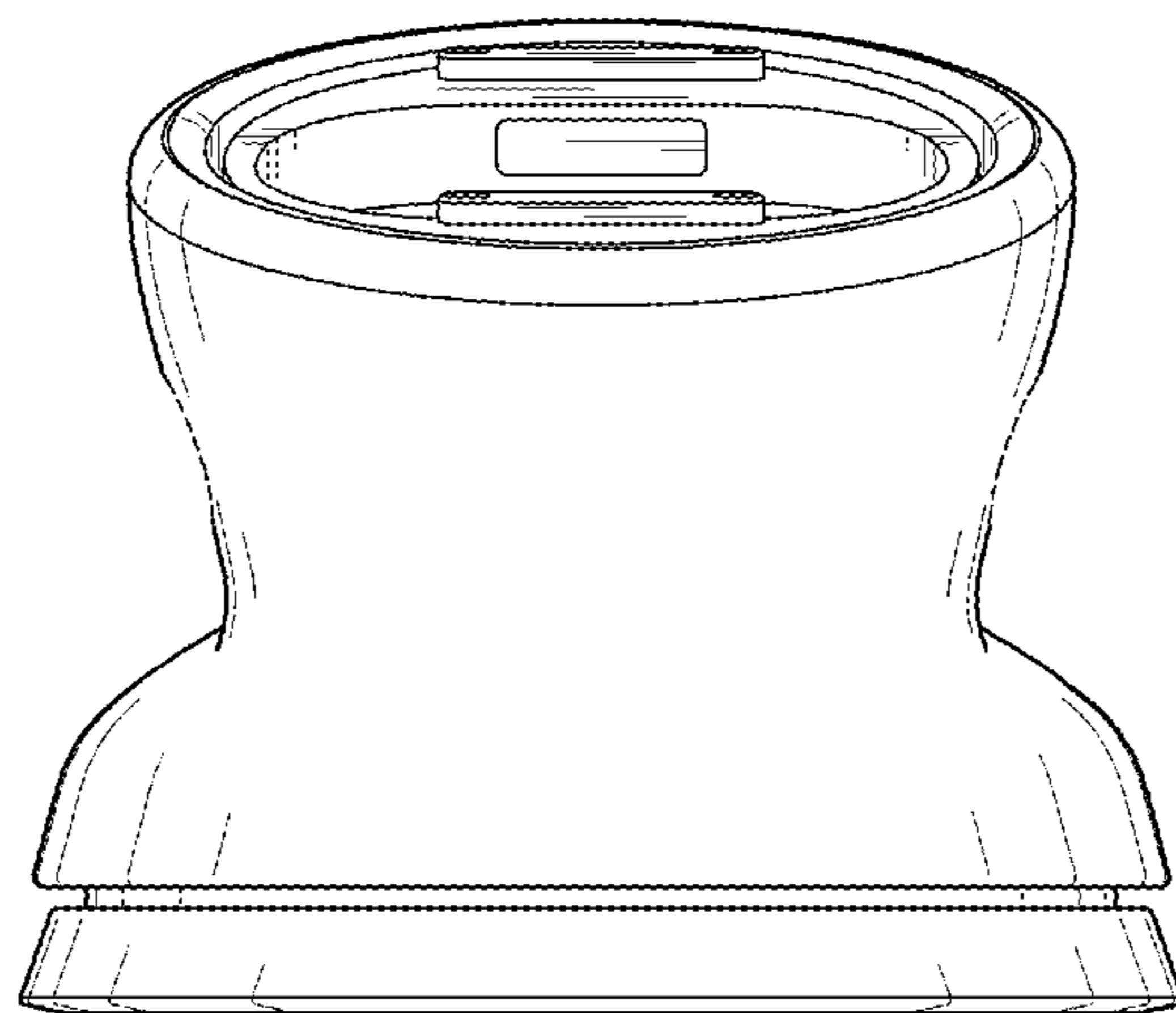
*FIG. 1*



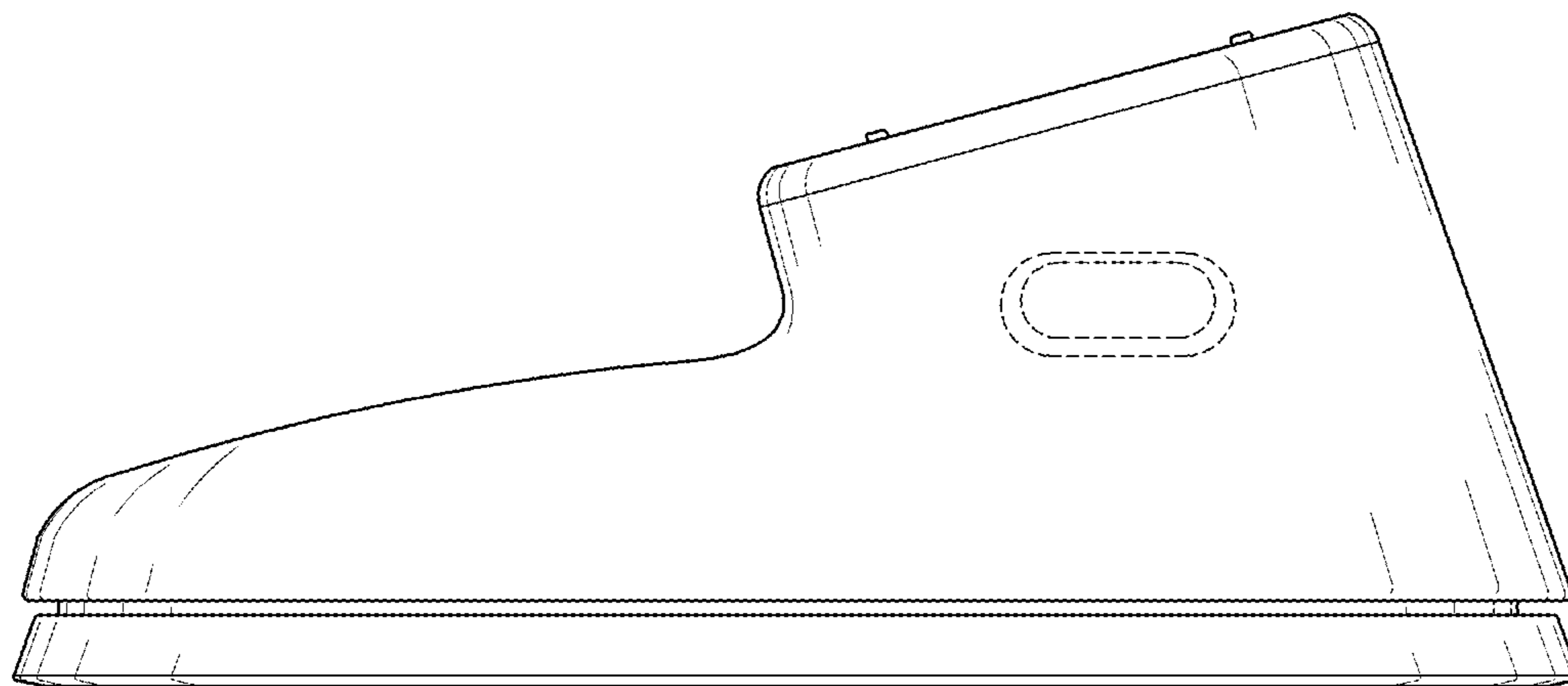
*FIG. 2*



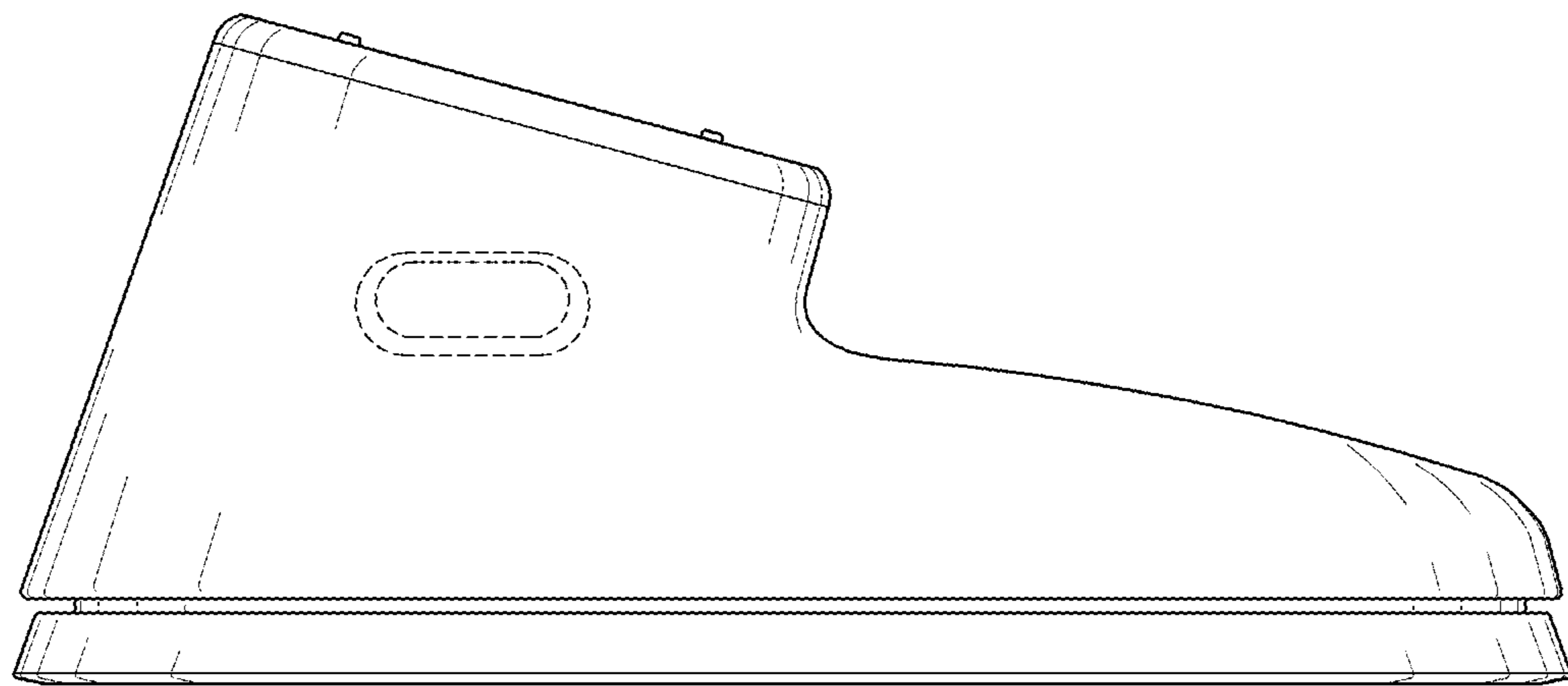
*FIG. 3*



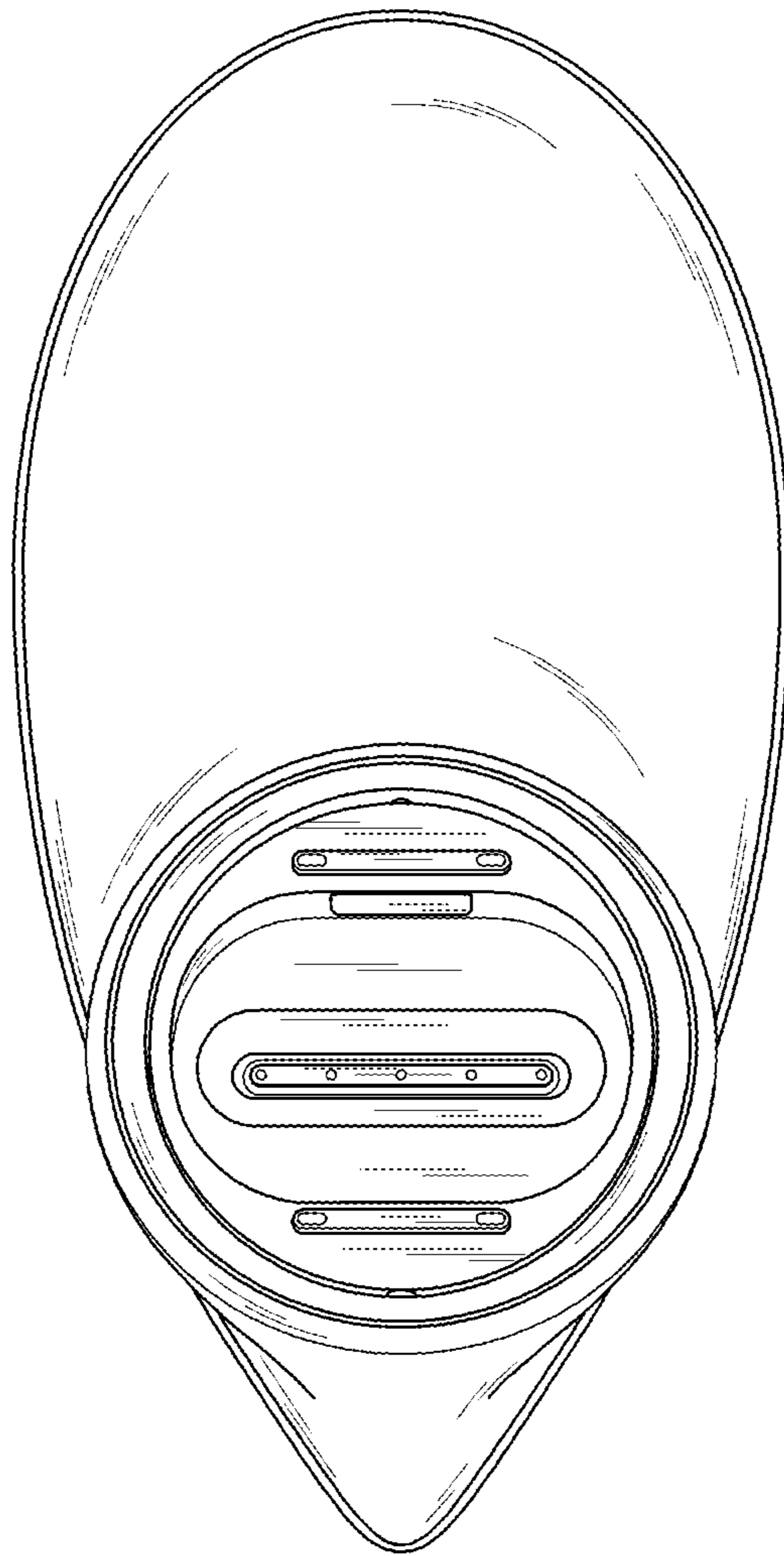
*FIG. 4*



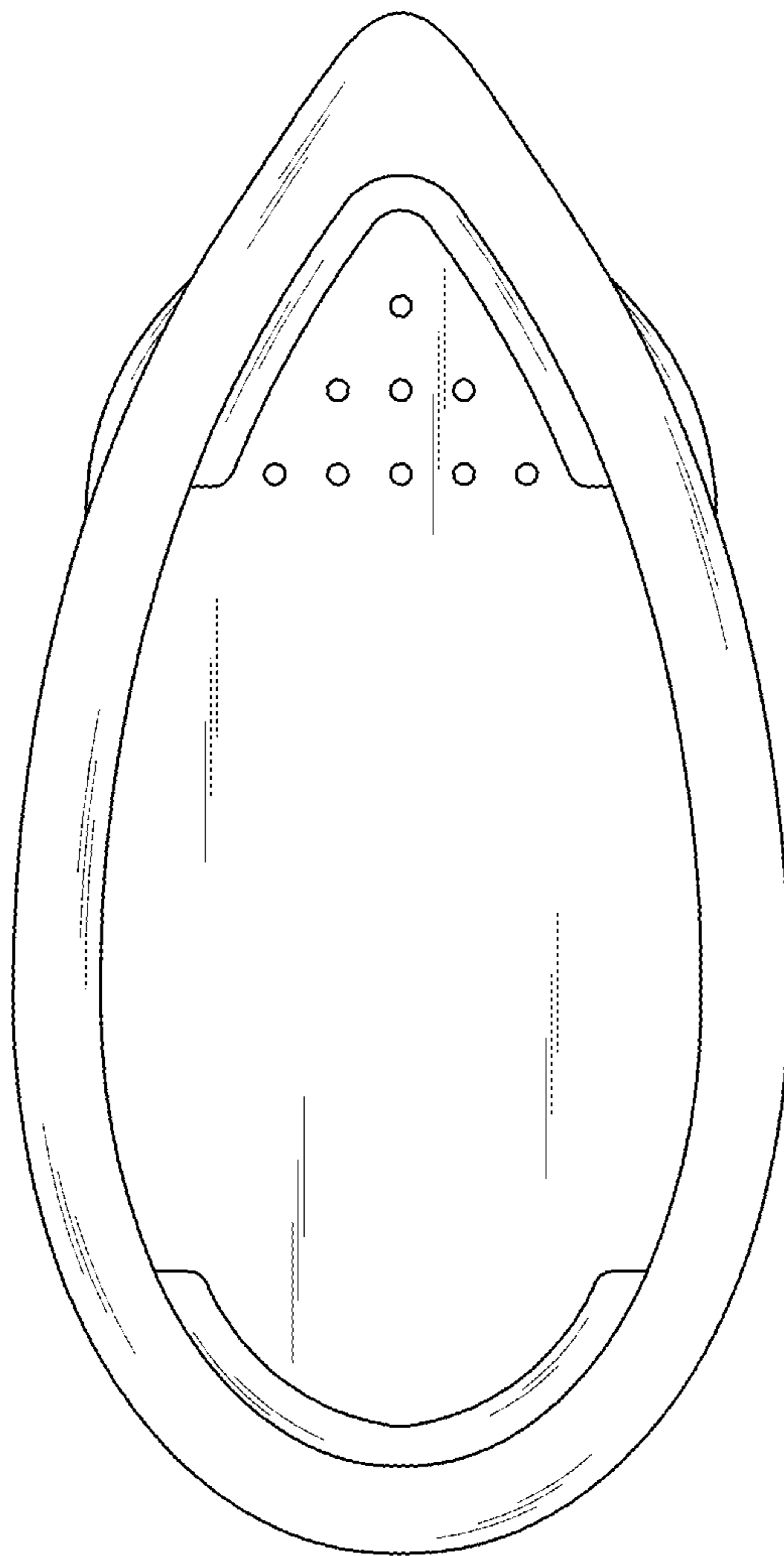
*FIG. 5*



*FIG. 6*



*FIG. 7*





*FIG. 8*

