



US00D925150S

(12) **United States Design Patent**
Park et al.

(10) **Patent No.:** **US D925,150 S**

(45) **Date of Patent:** **** Jul. 13, 2021**

(54) **IRON**

(71) Applicant: **LG ELECTRONICS INC.**, Seoul (KR)

(72) Inventors: **Kyutae Park**, Seoul (KR); **Jaeil Bae**, Seoul (KR); **Kyungah Lee**, Seoul (KR); **Hoil Jeon**, Seoul (KR); **Youngsoo Ha**, Seoul (KR)

(73) Assignee: **LG ELECTRONICS INC.**, Seoul (KR)

(**) Term: **15 Years**

(21) Appl. No.: **29/724,773**

(22) Filed: **Feb. 19, 2020**

(51) **LOC (13) Cl.** **07-05**

(52) **U.S. Cl.**
USPC **D32/70**

(58) **Field of Classification Search**
USPC D32/70, 71, 73, 72, 69, 68, 35; D8/71, D8/373, 349, 396, 30; D15/144, 144.2; D28/73; 219/231, 242, 229; 165/80.1; 126/414
CPC D06F 75/34; D06F 75/08; D06F 75/38; D06F 75/00; F22B 27/14; B08B 3/006
See application file for complete search history.

(56) **References Cited**

U.S. PATENT DOCUMENTS

D594,617 S * 6/2009 Yeung D32/69
D663,087 S * 7/2012 Grossi D32/70

D707,007 S * 6/2014 Smith D32/70
D714,007 S * 9/2014 La Rovere D32/70
D733,381 S * 6/2015 Shalvi D32/70
D739,630 S * 9/2015 Luang D32/70
D762,935 S * 8/2016 Dadon D32/70
D786,521 S * 5/2017 Curien D32/70
D789,010 S * 6/2017 Koehler D32/70
D838,073 S * 1/2019 Ahn D32/70
D838,425 S * 1/2019 Ahn D32/70
D840,626 S * 2/2019 Buckley D32/70

* cited by examiner

Primary Examiner — Austin Murphy

(74) *Attorney, Agent, or Firm* — Birch, Stewart, Kolasch & Birch, LLP

(57) **CLAIM**

We claim the ornamental design for an iron, as shown and described.

DESCRIPTION

FIG. 1 is a perspective view of an iron showing the new design;
FIG. 2 is a front elevation view thereof;
FIG. 3 is a rear elevation view thereof;
FIG. 4 is a left-side elevation view thereof;
FIG. 5 is a right-side elevation view thereof;
FIG. 6 is a top plan view thereof;
FIG. 7 is a bottom plan view thereof; and,
FIG. 8 is a perspective view showing a disassembled state thereof.

1 Claim, 8 Drawing Sheets

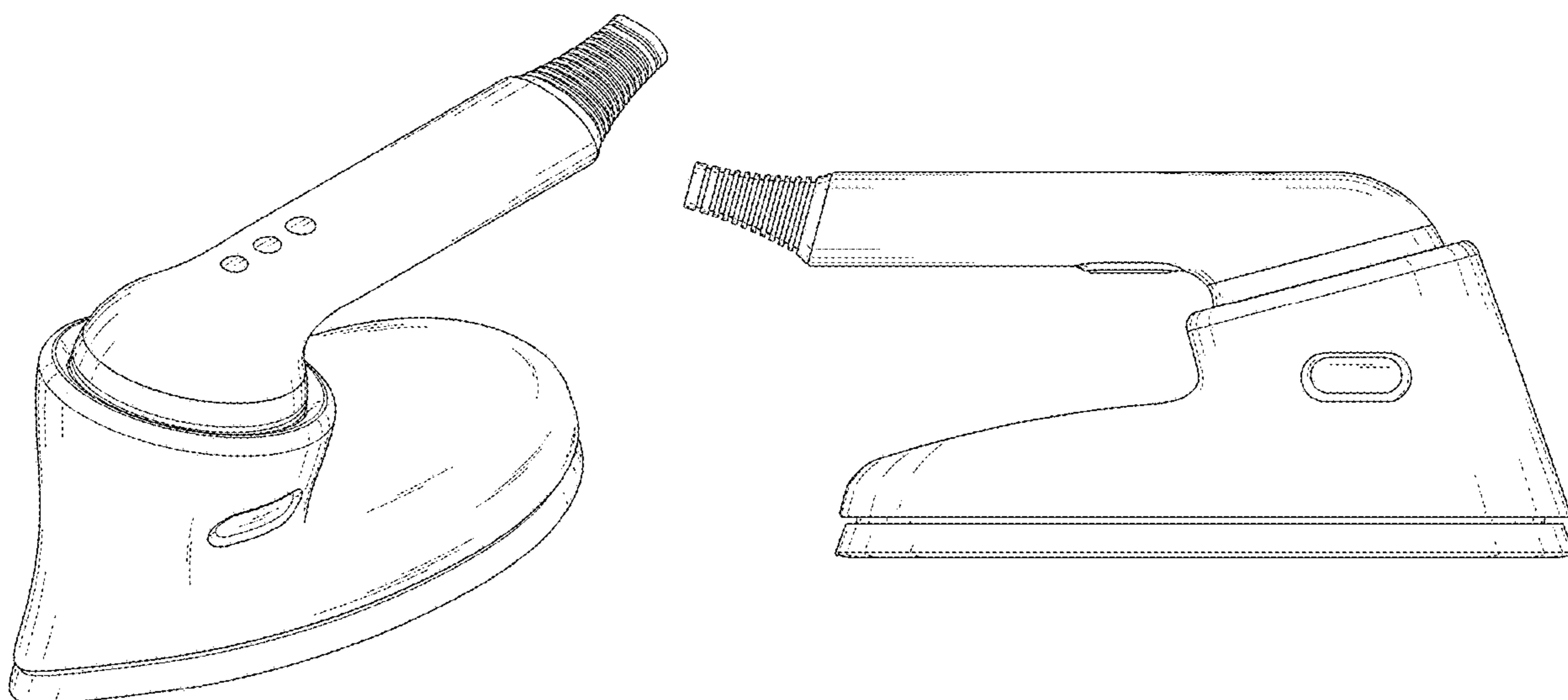


FIG. 1

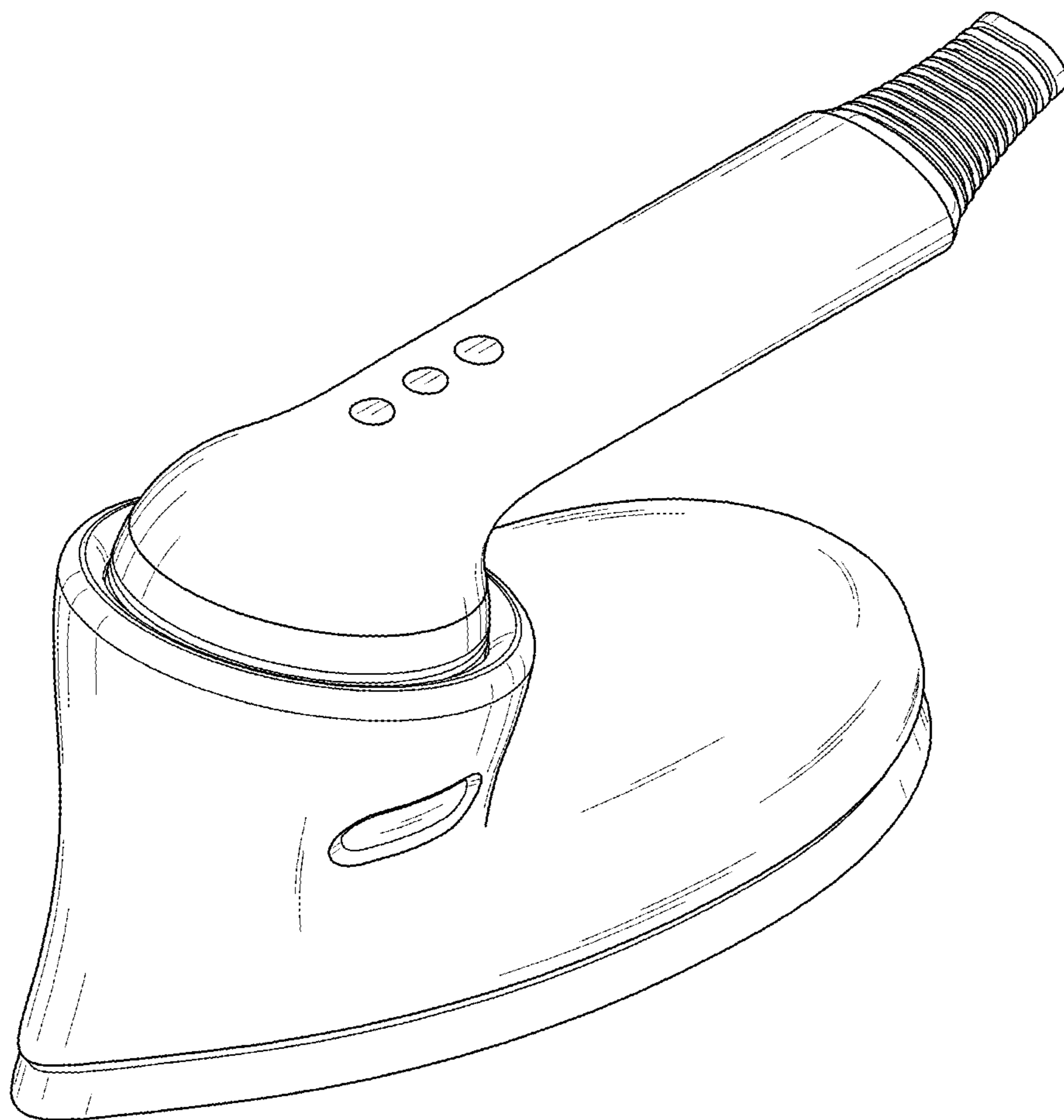


FIG. 2

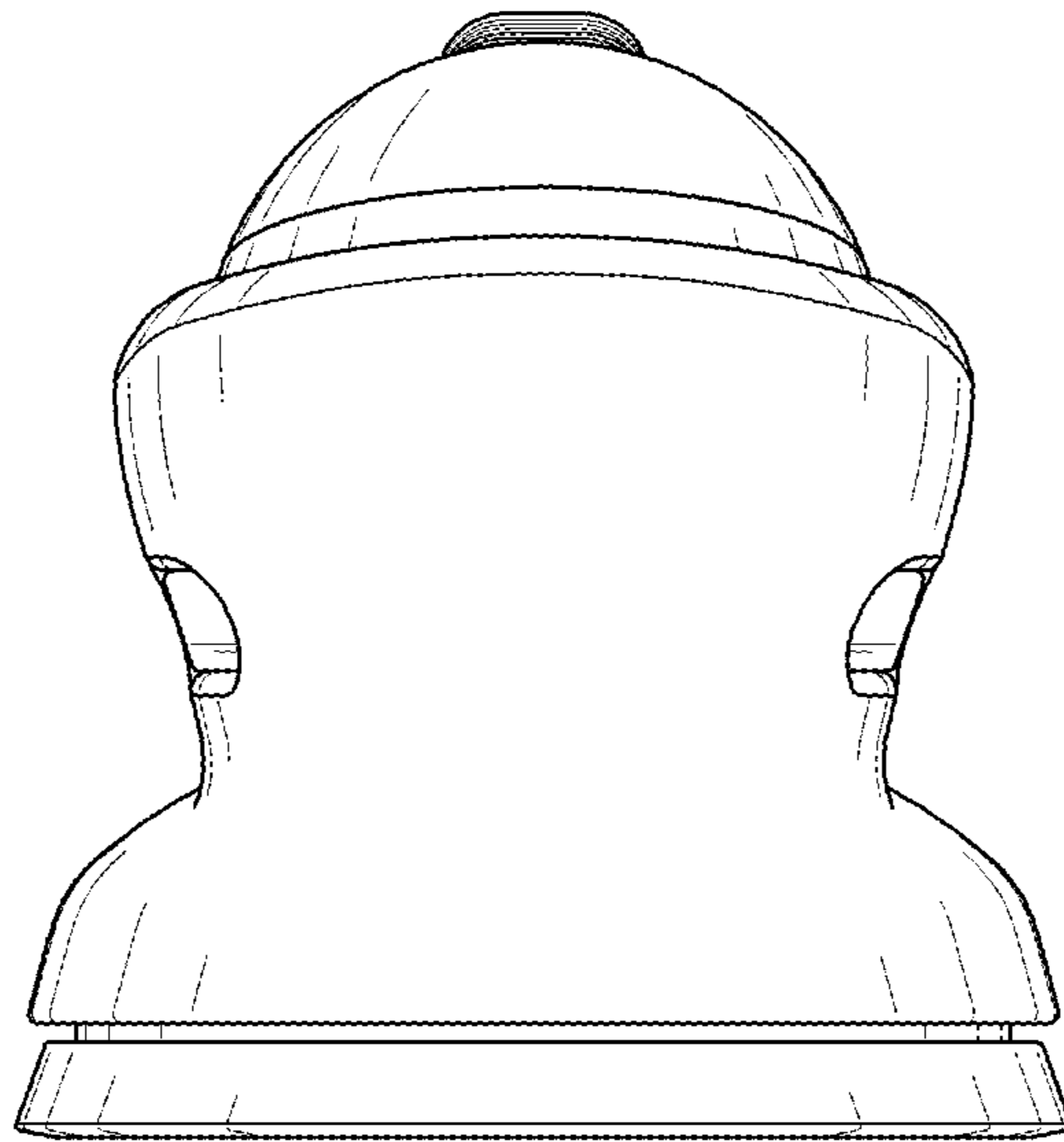


FIG. 3

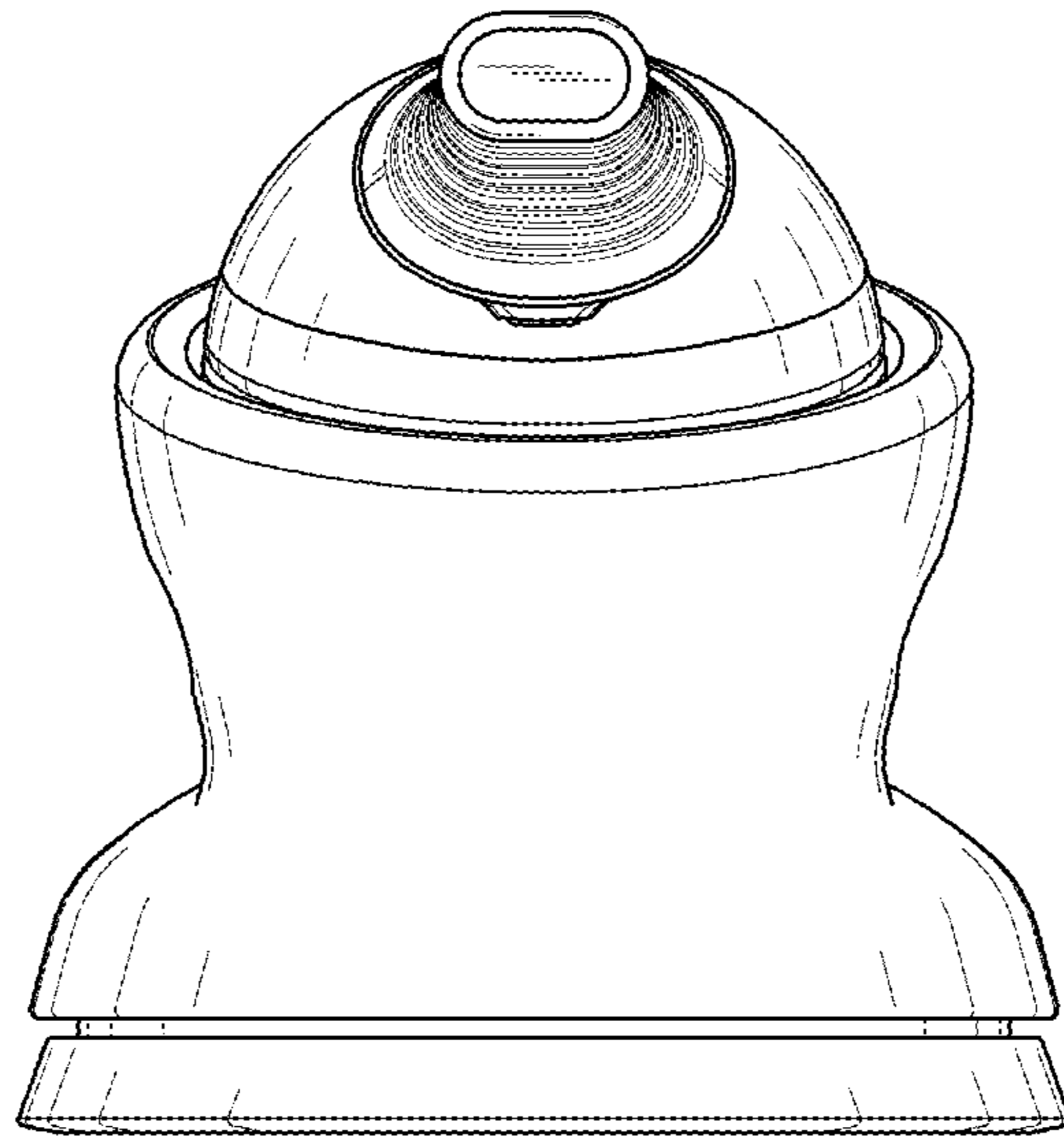


FIG. 4

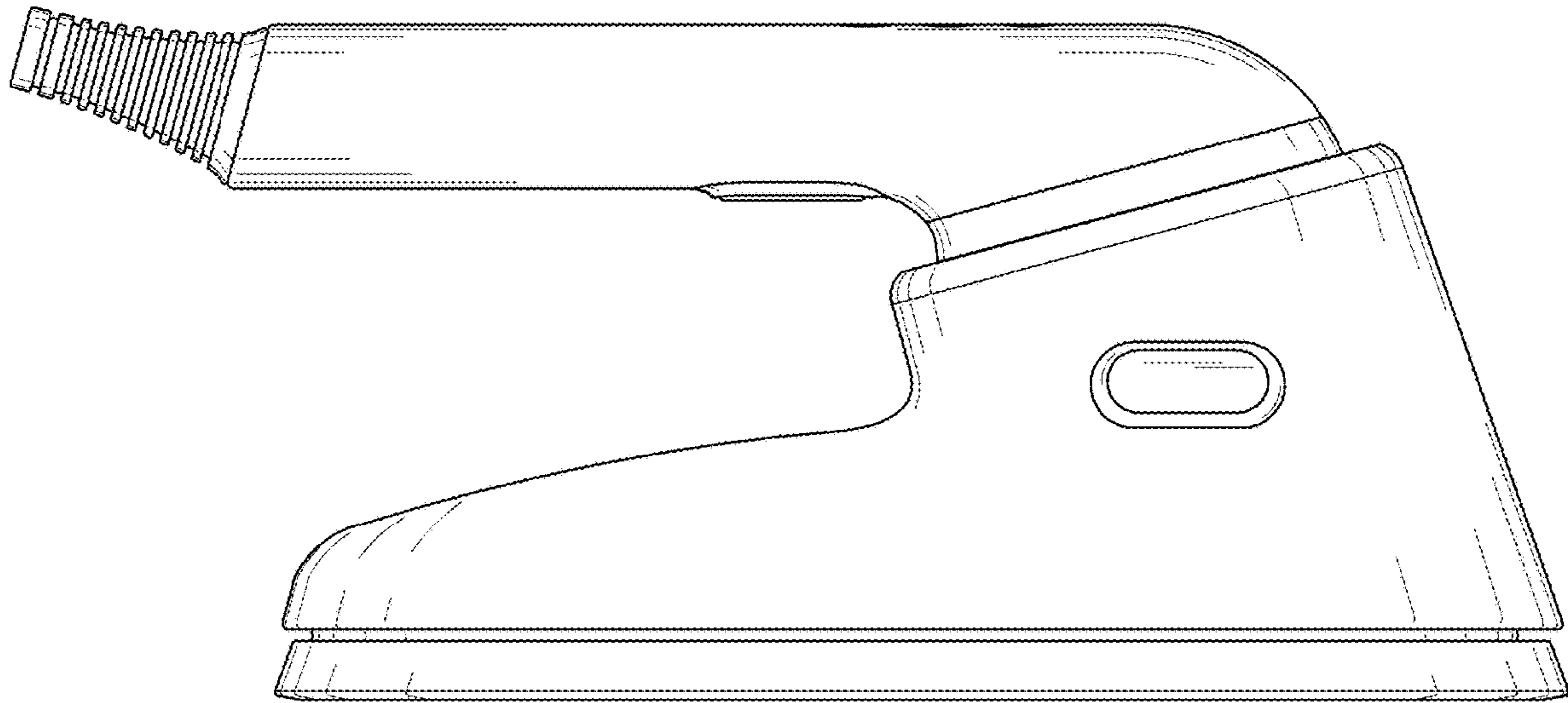


FIG. 5

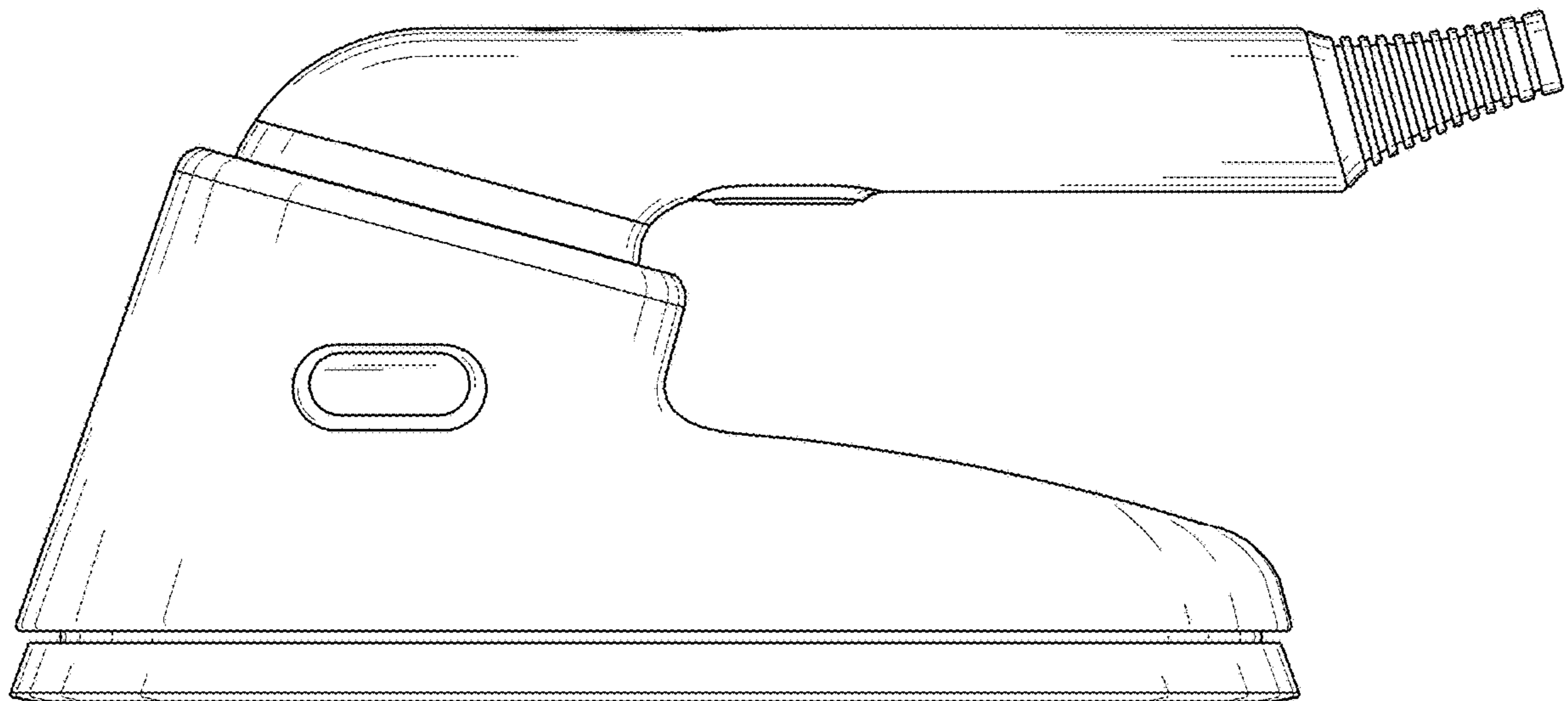


FIG. 6

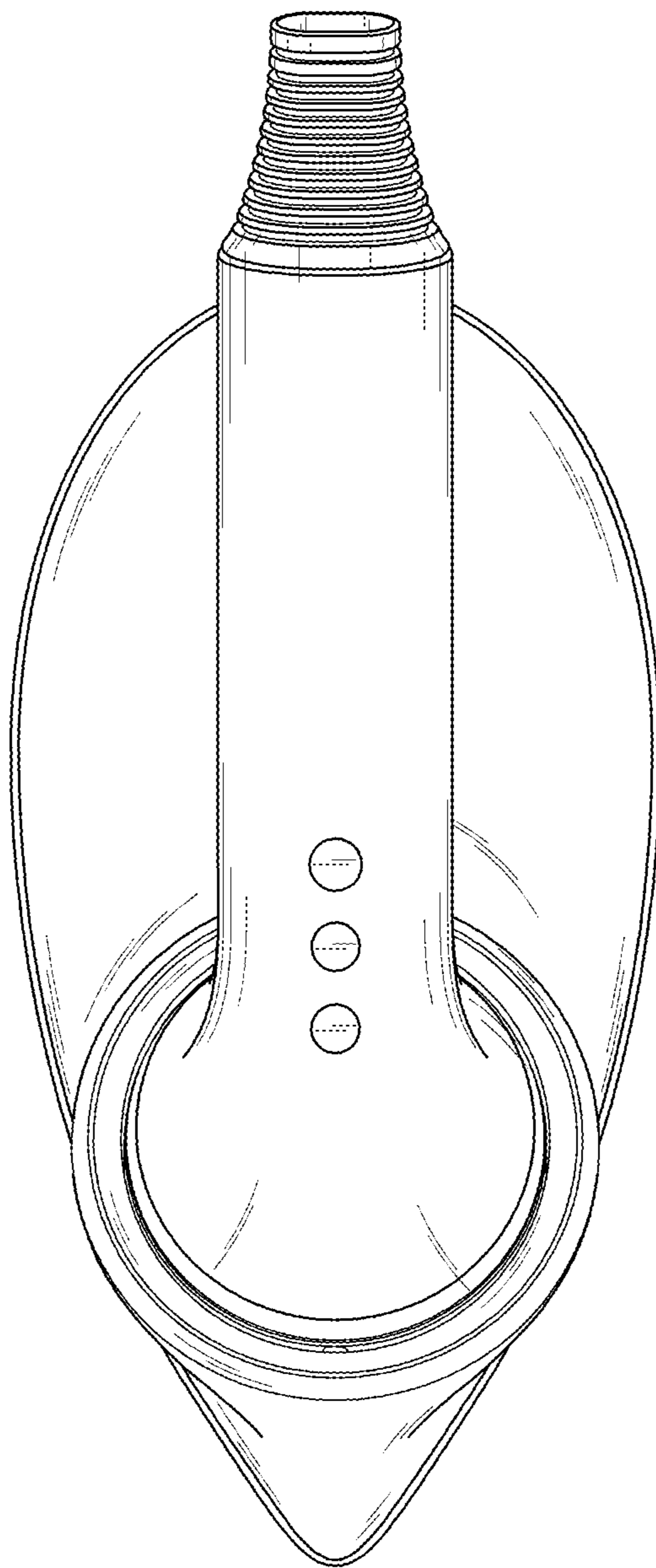


FIG. 7

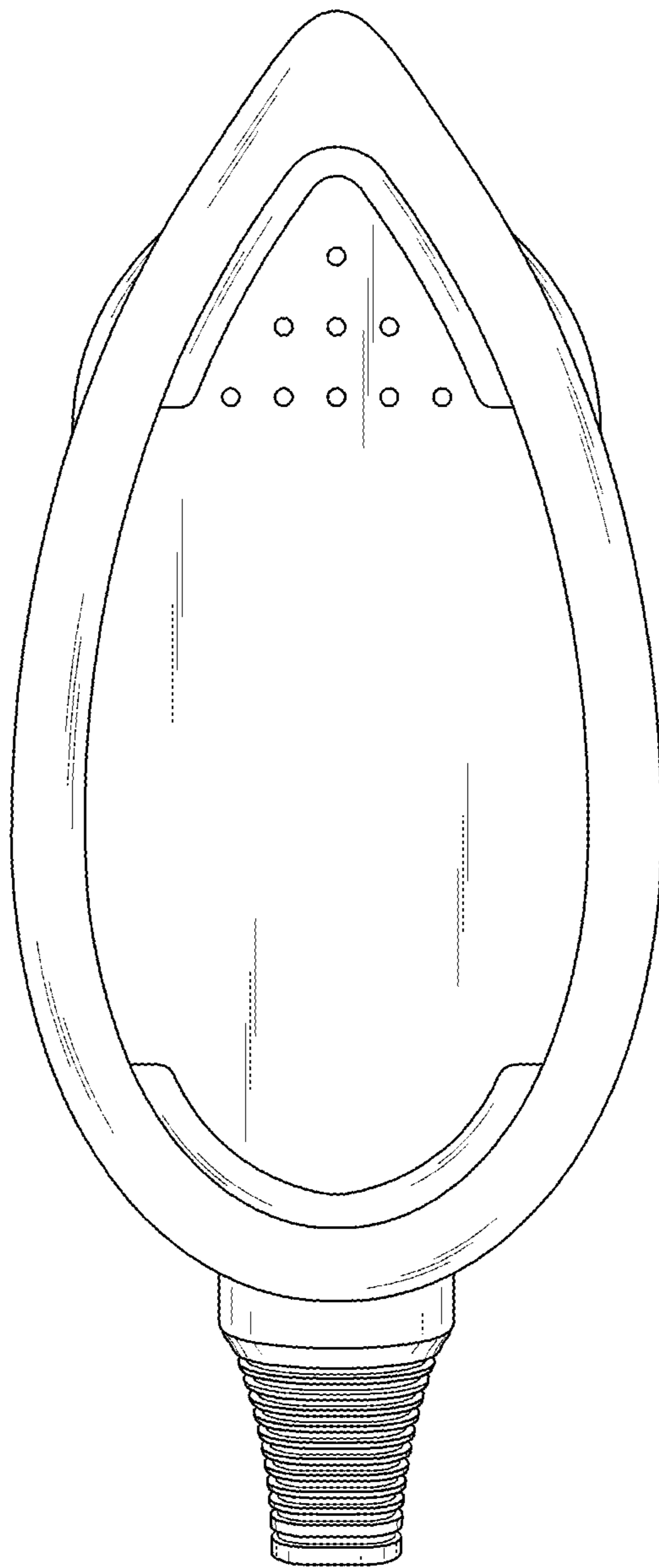


FIG. 8

