



US00D925149S

(12) **United States Design Patent**  
**Huang**

(10) **Patent No.:** **US D925,149 S**  
(45) **Date of Patent:** **\*\* Jul. 13, 2021**

- (54) **LAUNDRY BASKET**
- (71) Applicant: **SHENZHEN DAODAODIANZISHANGWU CO., LTD.,** Shenzhen (CN)
- (72) Inventor: **Qiusheng Huang,** Shenzhen (CN)
- (73) Assignee: **SHENZHEN DAODAODIANZISHANGWU CO., LTD.,** Shenzhen (CN)
- (\*\*) Term: **15 Years**
- (21) Appl. No.: **29/759,217**
- (22) Filed: **Nov. 20, 2020**
- (51) **LOC (13) Cl.** ..... **09-04**
- (52) **U.S. Cl.**  
USPC ..... **D32/37**
- (58) **Field of Classification Search**  
USPC ..... D32/35, 37, 53; D3/201, 304–309, 312, D3/314; D6/315, 331, 657, 659, 663, D6/664, 667, 675, 677, 683, 686; D9/420, 423, 501, 503, 517, 633, 721, D9/738, 742, 772; D34/5, 6, 11  
CPC ..... A47G 29/00; A47G 29/06  
See application file for complete search history.

(56) **References Cited**  
U.S. PATENT DOCUMENTS

D274,662 S *	7/1984	Fausel .....	D32/37
D275,618 S *	9/1984	Agard .....	D3/295
D279,038 S *	5/1985	Thompson, Jr. ....	D32/37
D304,252 S *	10/1989	Ferguson .....	D32/37
D355,599 S *	2/1995	Tkaczow .....	D32/37
D362,933 S *	10/1995	Calmeise .....	D32/37
D388,917 S *	1/1998	Valenti .....	D32/37
D398,108 S *	9/1998	Diaz .....	D32/37
D419,734 S *	1/2000	Adams .....	D32/37
D463,637 S *	9/2002	Walker .....	D32/37

D468,915 S *	1/2003	Talbott .....	D06F 95/002 D32/37
D532,568 S *	11/2006	Rodriguez .....	D32/37
D552,351 S *	10/2007	Bauers .....	21/721
D563,620 S *	3/2008	Dong .....	D32/37
D703,895 S *	4/2014	Wang .....	D32/37
D739,988 S *	9/2015	Buckner .....	D32/37
D795,583 S *	8/2017	Diehl .....	D3/307
D827,960 S *	9/2018	Barre .....	D32/37
D842,606 S *	3/2019	Kraemer .....	D3/307
D857,321 S *	8/2019	Saco .....	D32/37
D872,401 S *	1/2020	Wang .....	D32/37
D880,795 S *	4/2020	Barre .....	D32/37
D883,598 S *	5/2020	Barre .....	D32/37
D883,599 S *	5/2020	Barre .....	D32/37

(Continued)

FOREIGN PATENT DOCUMENTS

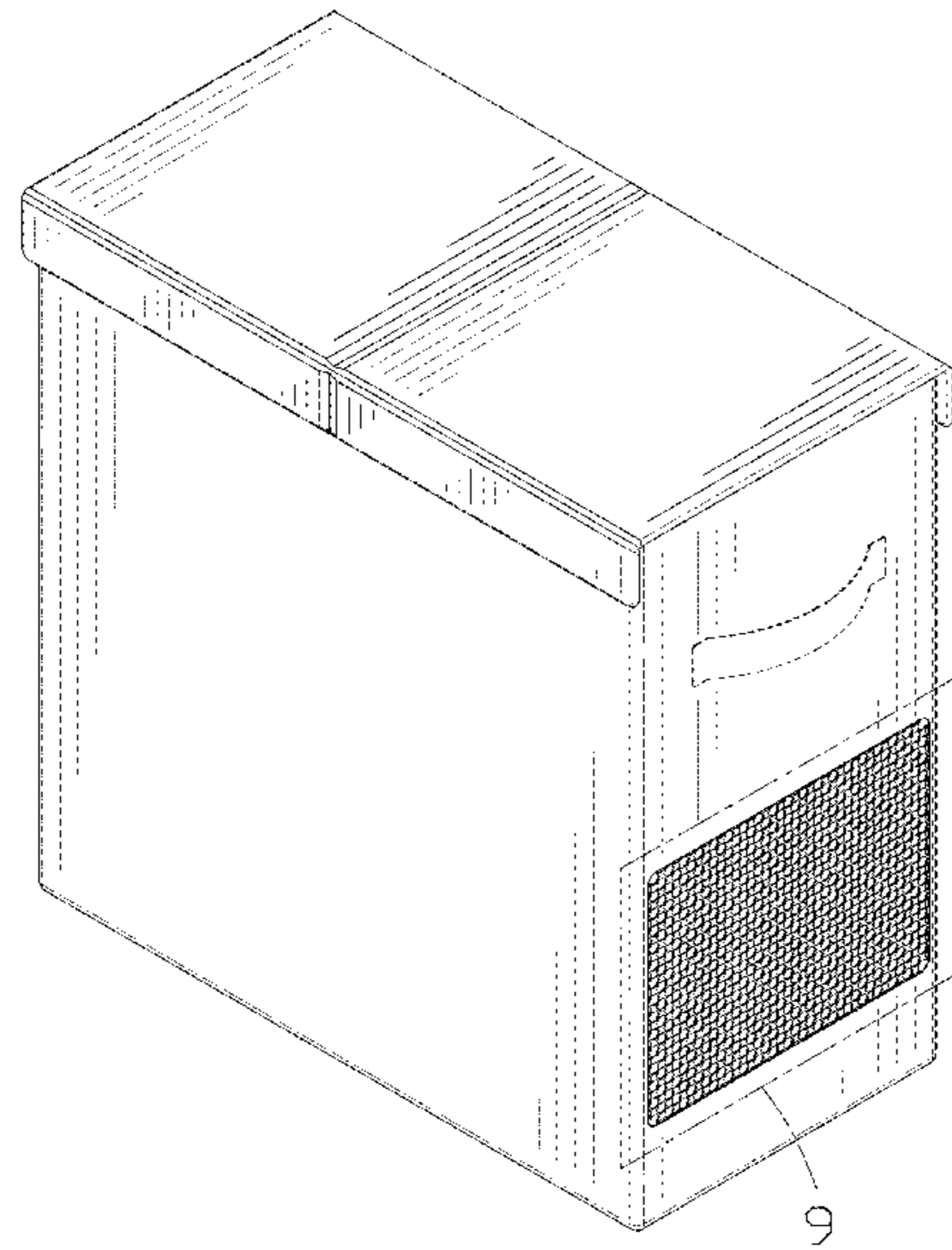
EM 002291021-0002 10/2013  
*Primary Examiner* — Michelle E. Wilson  
(74) *Attorney, Agent, or Firm* — ScienBiziP, P.C.

(57) **CLAIM**  
The ornamental design for a laundry basket, as shown and described.

**DESCRIPTION**

FIG. 1 is a front perspective view of a laundry basket showing our design.  
FIG. 2 is a rear perspective view thereof.  
FIG. 3 is a front elevation view thereof.  
FIG. 4 is a rear elevation view thereof.  
FIG. 5 is a left side elevation view thereof.  
FIG. 6 is a right side elevation view thereof.  
FIG. 7 is a top plan view thereof.  
FIG. 8 is a bottom plan view thereof; and,  
FIG. 9 is an enlarged view of an area labeled 9 in FIG. 1.  
The broken lines in the drawings depict environmental structure and boundaries only and form no part of the claimed designs to be patented.

**1 Claim, 9 Drawing Sheets**



(56)

**References Cited**

U.S. PATENT DOCUMENTS

D883,600 S \* 5/2020 Barre ..... D32/37  
D889,759 S \* 7/2020 Tassinari ..... D32/37

\* cited by examiner

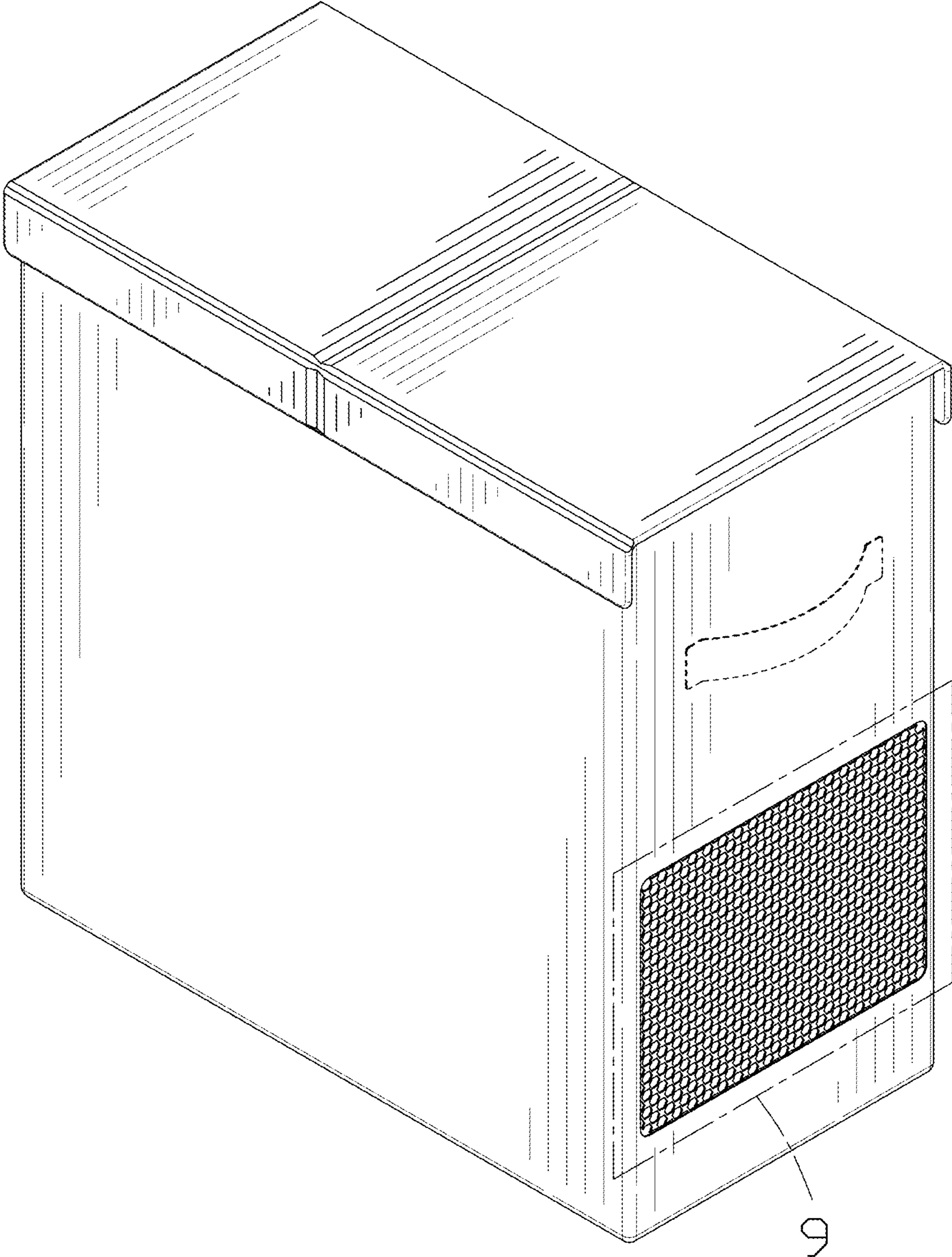


FIG. 1

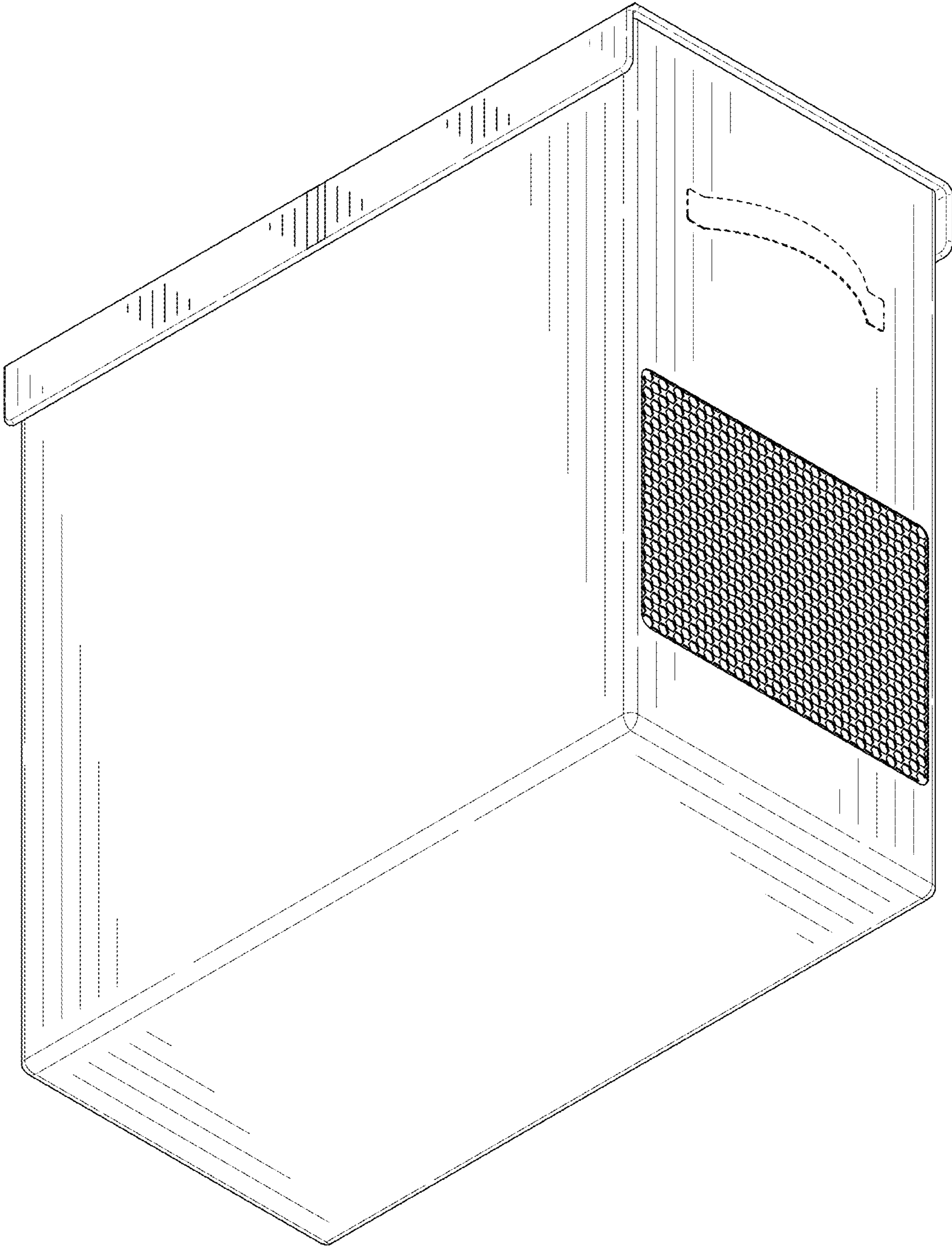


FIG. 2

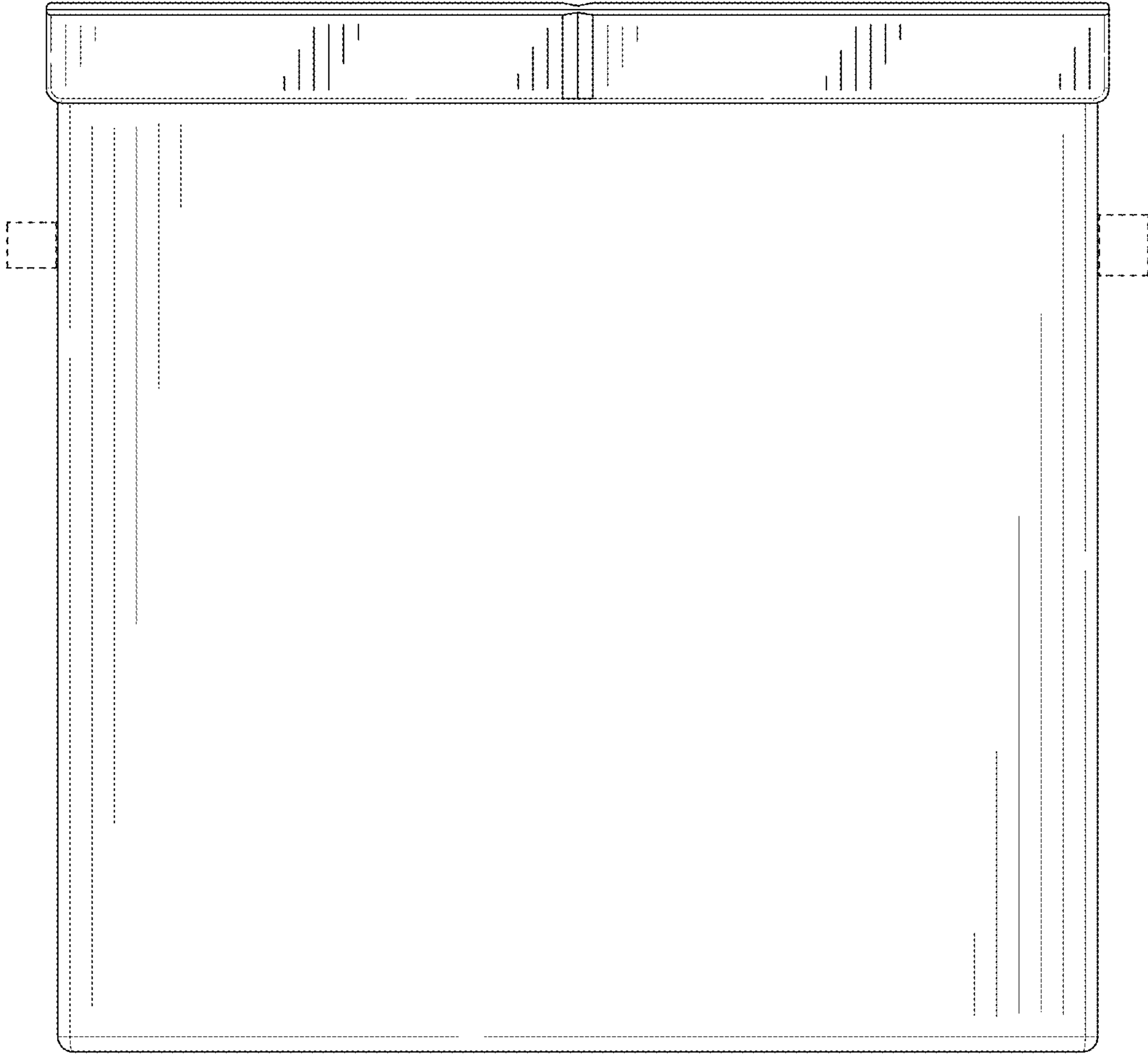


FIG. 3

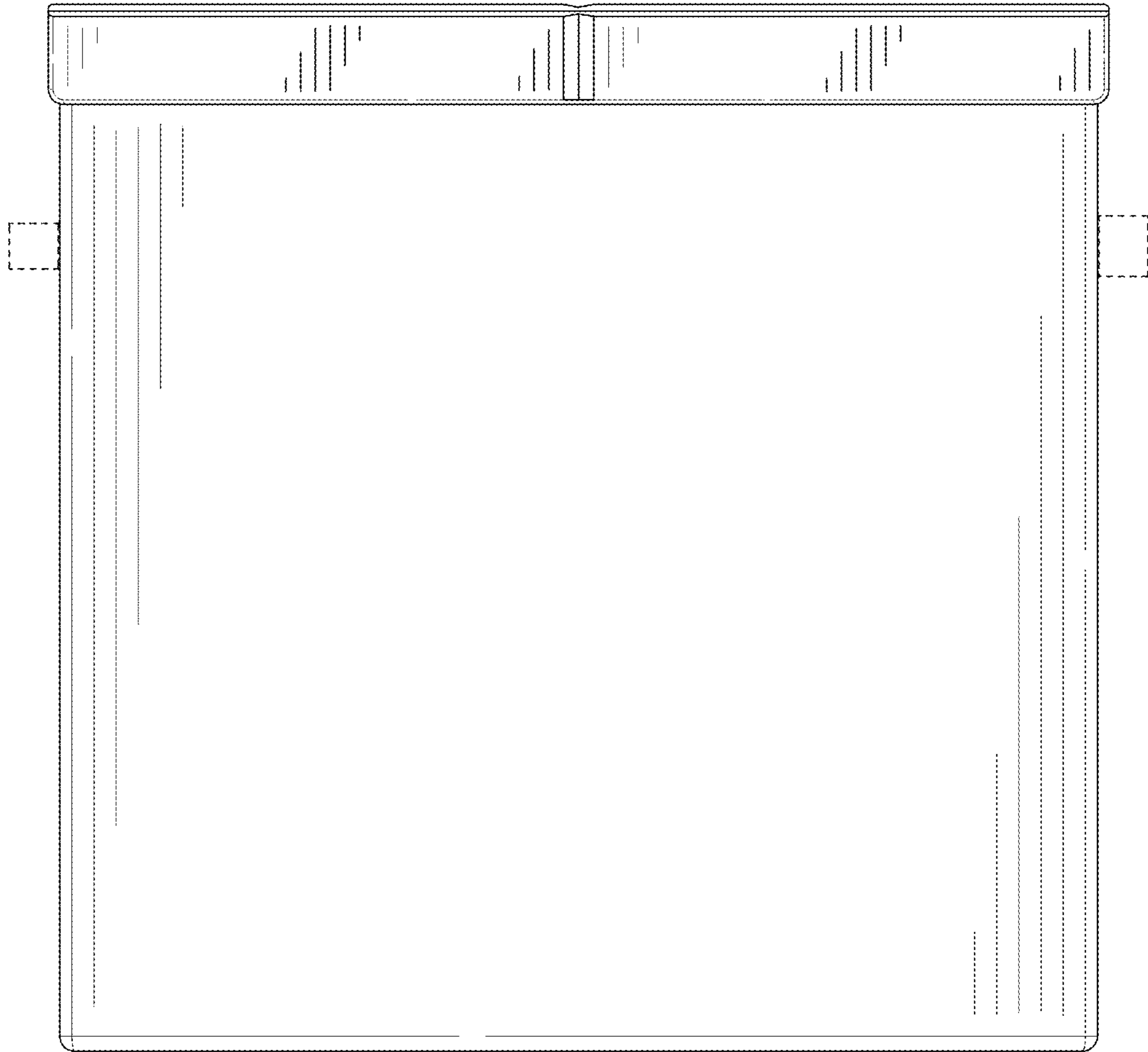


FIG. 4

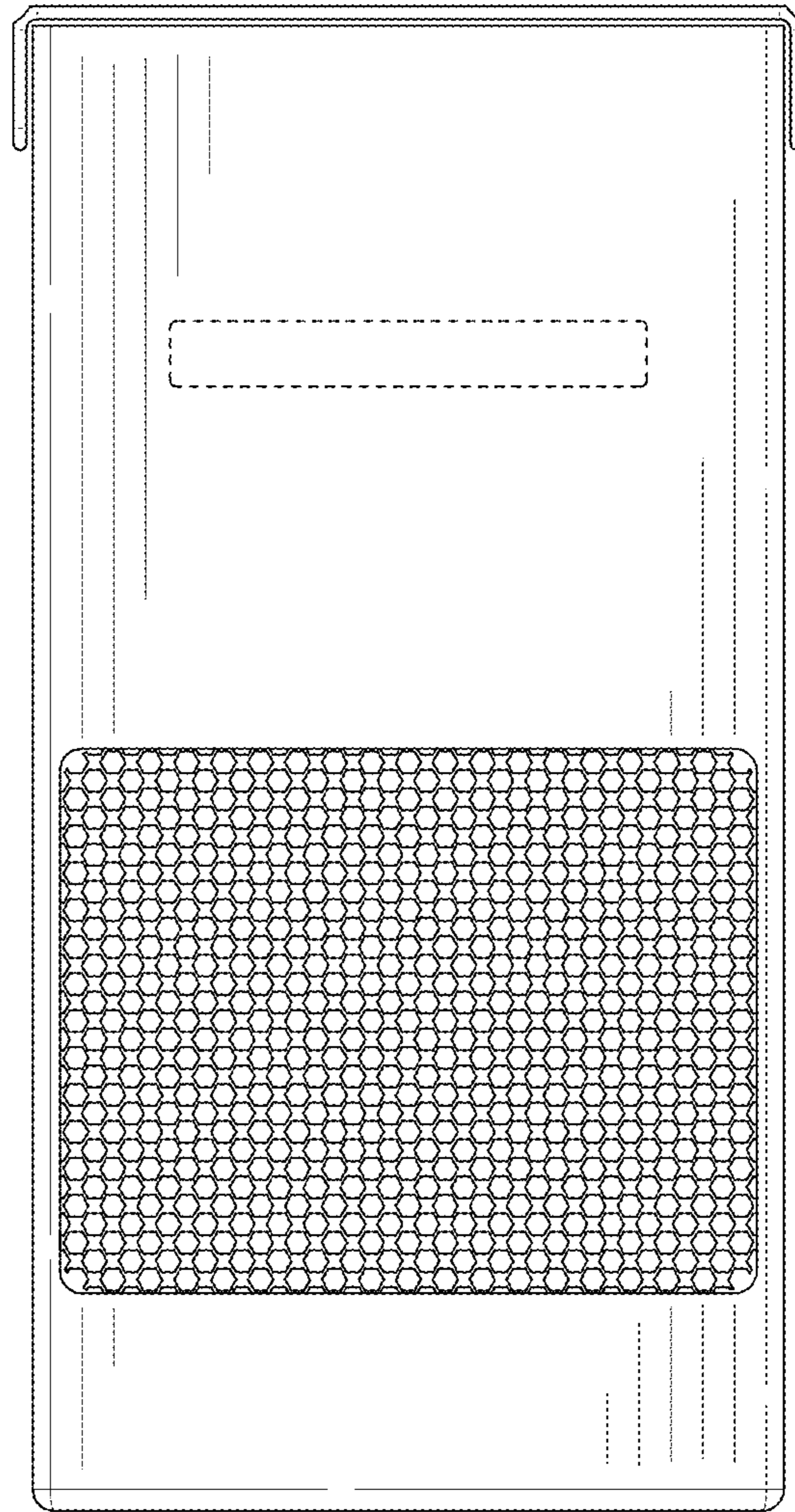


FIG. 5

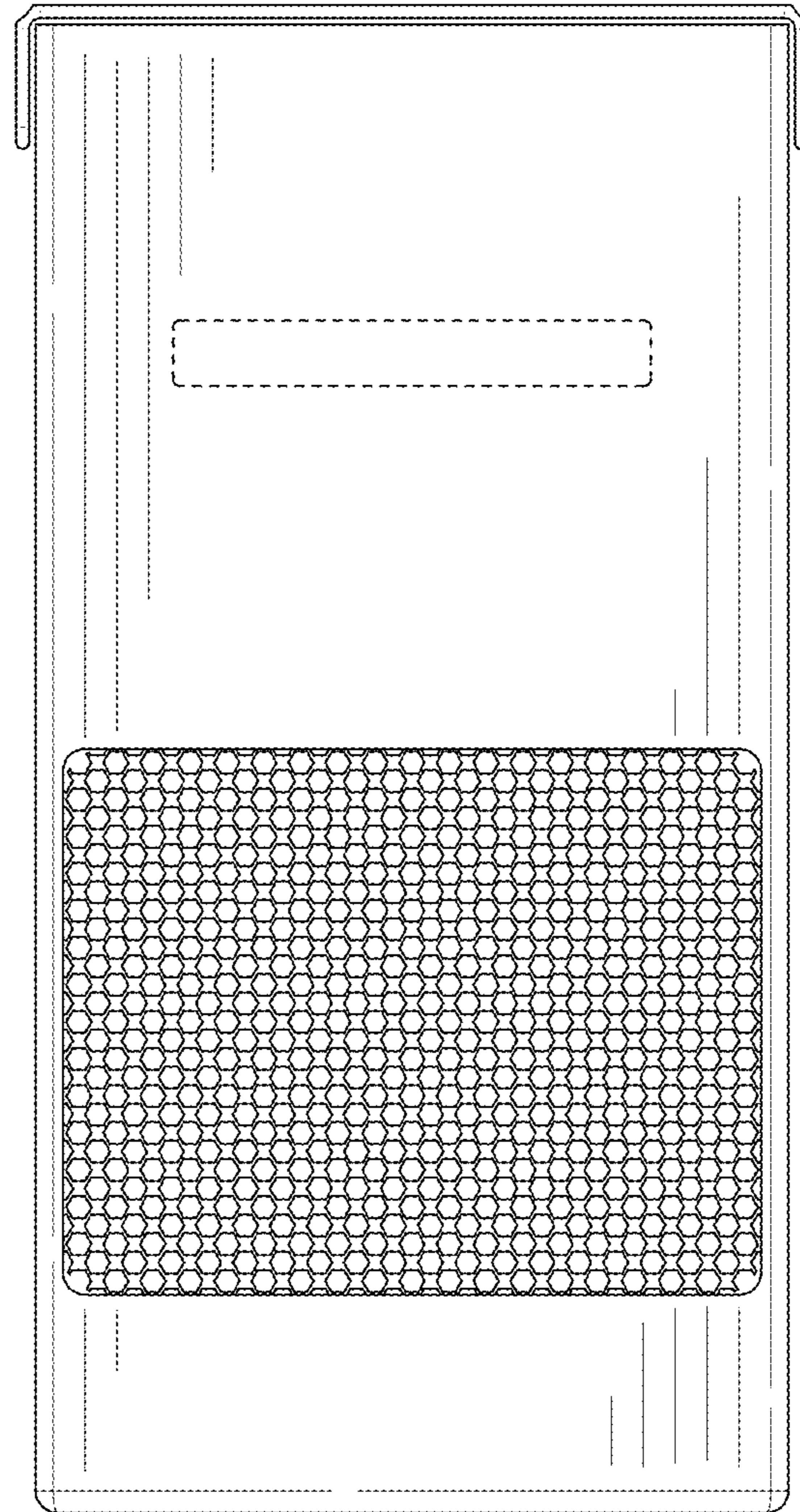


FIG. 6



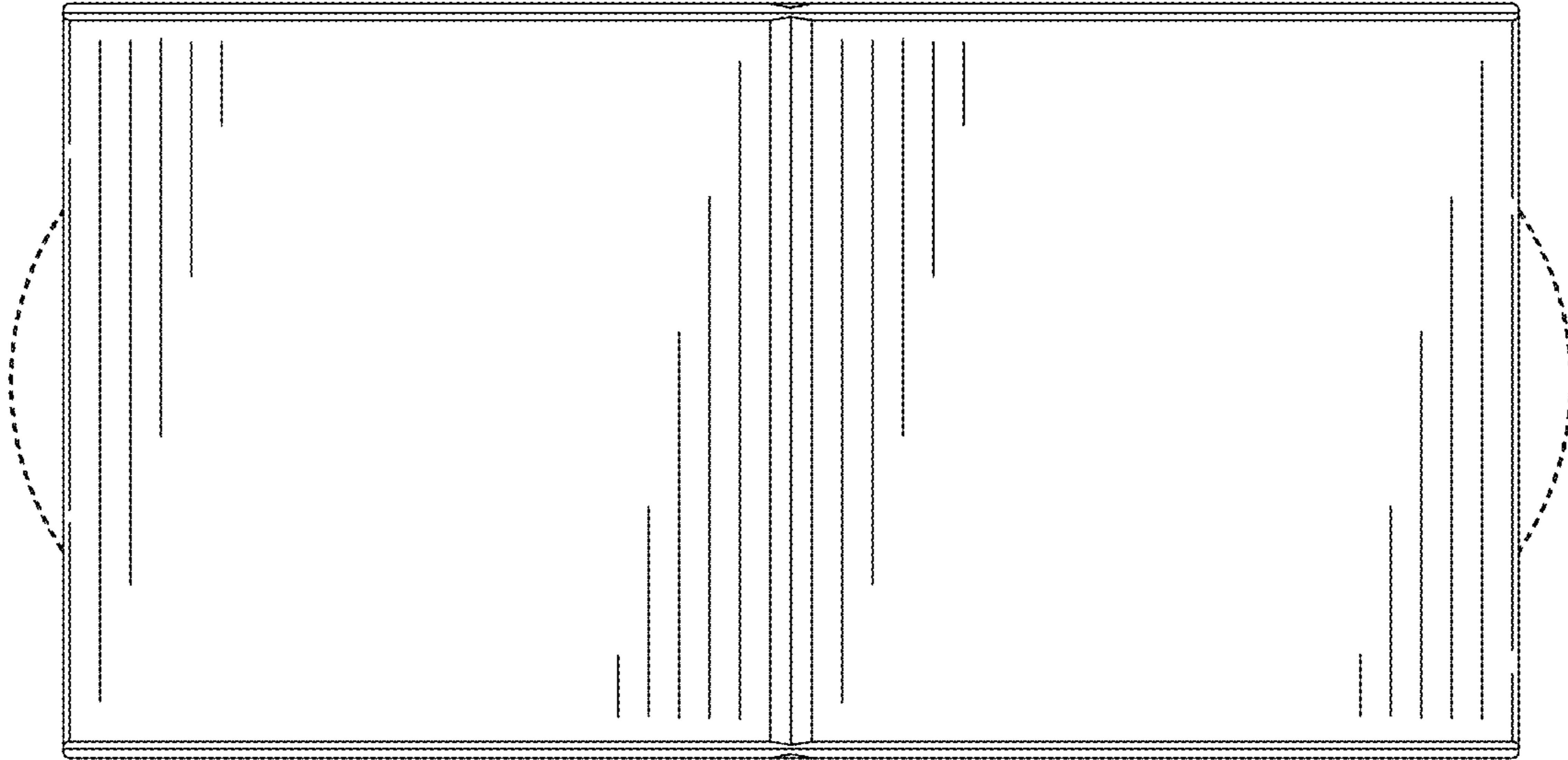


FIG. 7

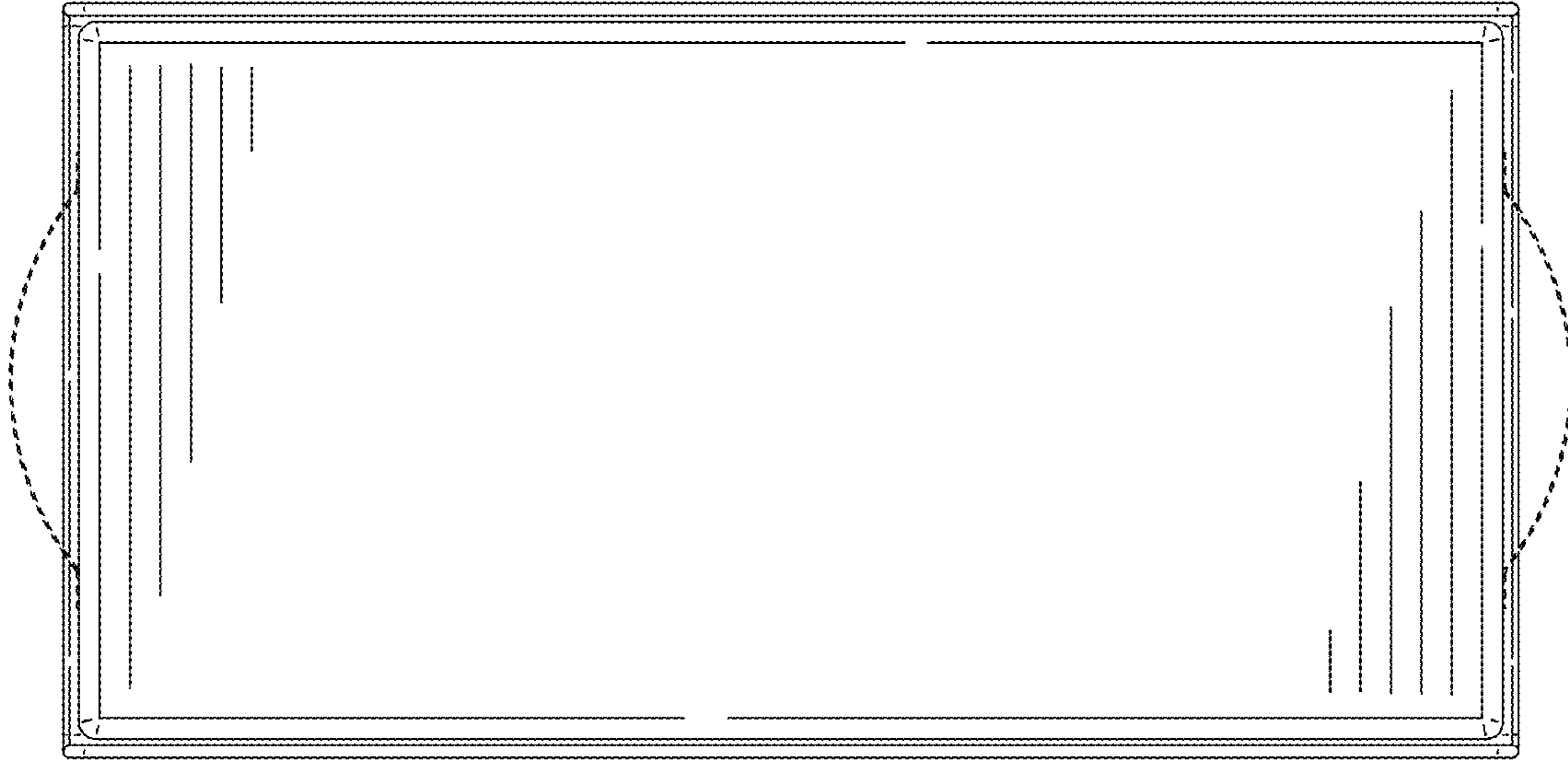


FIG. 8

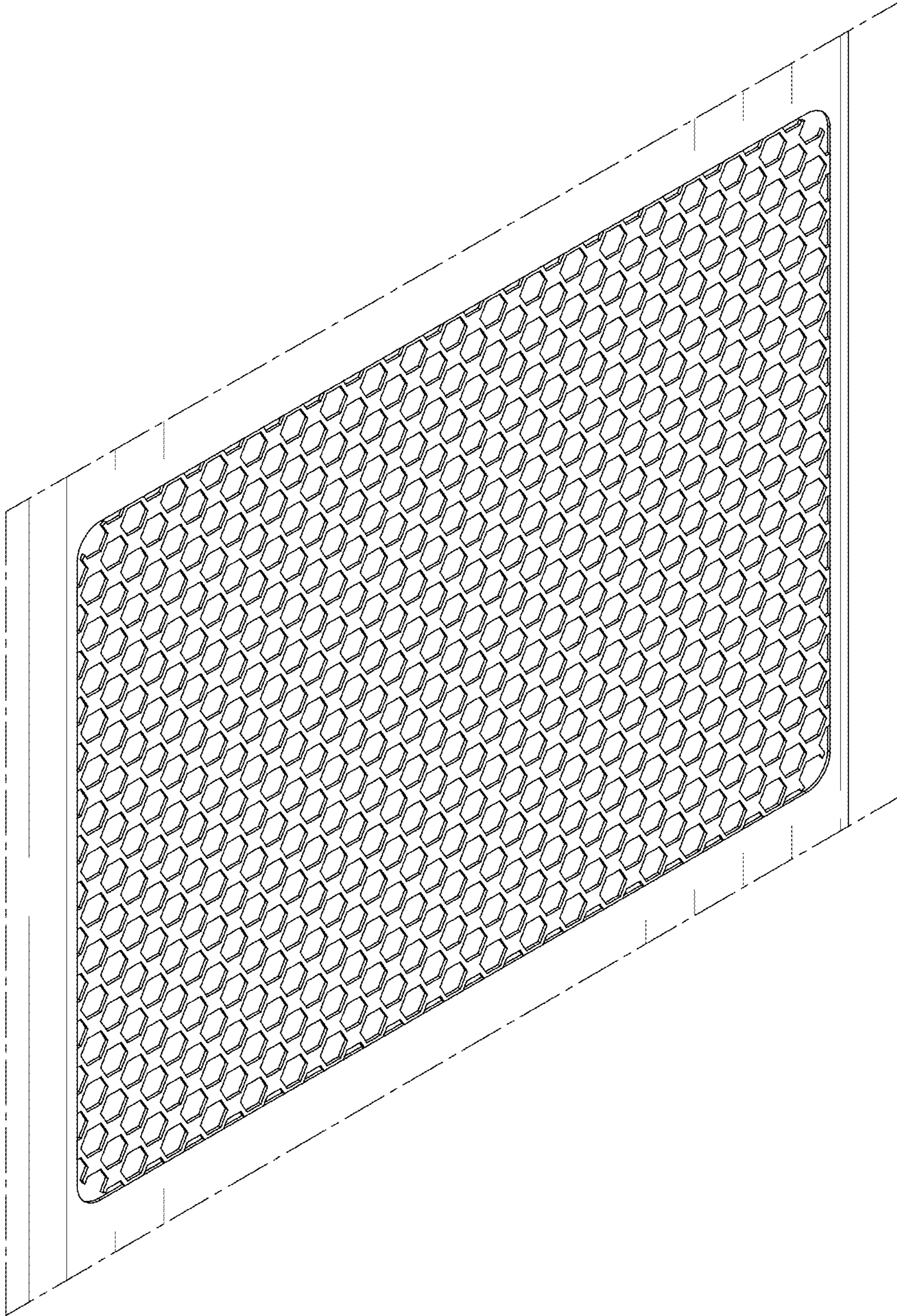


FIG. 9