



US00D925145S

(12) **United States Design Patent** (10) **Patent No.:** **US D925,145 S**
Goto (45) **Date of Patent:** **** Jul. 13, 2021**

(54) **WASHING MACHINE**
(71) Applicant: **HOJITSU SEIKO CO., LTD.**, Gifu (JP)
(72) Inventor: **Norifumi Goto**, Ichinomiya (JP)
(73) Assignee: **Hojitsu Seiko Co., Ltd.**
(**) Term: **15 Years**
(21) Appl. No.: **35/509,518**
(22) Filed: **Dec. 4, 2019**
(80) **Hague Agreement Data**
Int. Filing Date: **Dec. 4, 2019**
Int. Reg. No.: **DM/206148**
Int. Reg. Date: **Dec. 4, 2019**
Int. Reg. Pub. Date: **Jun. 5, 2020**

(30) **Foreign Application Priority Data**
Jul. 19, 2019 (JP) 2019-016277
(51) **LOC (13) Cl.** **15-05**
(52) **U.S. Cl.**
USPC **D32/6**
(58) **Field of Classification Search**
USPC D32/1, 2, 3, 5, 6, 8, 25, 35, 55, 56, 58
CPC D06F 13/00; D06F 17/00; D06F 35/00;
D06F 43/00
See application file for complete search history.

(56) **References Cited**
U.S. PATENT DOCUMENTS
D125,483 S * 2/1941 Rosengren D32/1
2,629,243 A * 2/1953 Hallander D06F 43/02
D496,513 S * 9/2004 Tsuda D32/5
D515,256 S * 2/2006 Tsuda D32/8
D543,322 S * 5/2007 Usui D32/5
D554,306 S * 10/2007 Nam D32/6

D606,715 S * 12/2009 Matsusaki D32/5
D771,882 S * 11/2016 Fueglein D32/2
D804,113 S * 11/2017 Grasselli D32/1
D834,772 S * 11/2018 Ha D32/6
D846,208 S * 4/2019 Grasselli D32/1
2017/0356124 A1* 12/2017 Ozeki D06F 39/088

FOREIGN PATENT DOCUMENTS

CN 305626272 * 2/2020

OTHER PUBLICATIONS

Bic Camera Washing Machines, as archived by May 5, 2004, [online], [site visited May 7, 2021]. Retrieved from url:https://web.archive.org/web/20040505193803/http://www.rei.org/JPN/Tokyo/Smalls/IMG_0071-Bic-Camera-washingmachines.JPG (Year: 2004).*

* cited by examiner

Primary Examiner — Michelle E. Wilson
Assistant Examiner — Tracey J Bell
(74) *Attorney, Agent, or Firm* — Kim IP Law Group LLC

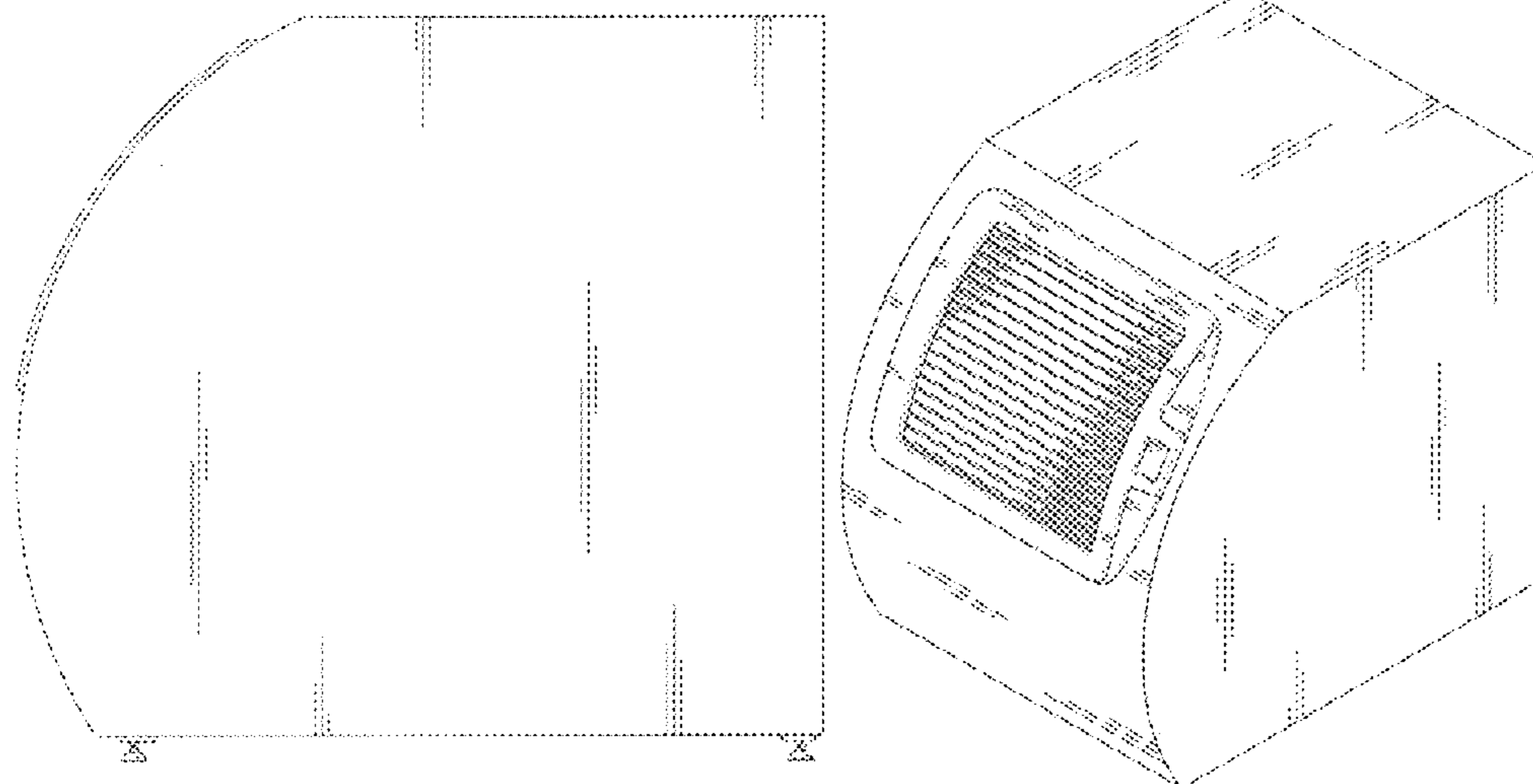
(57) **CLAIM**

The ornamental design for a washing machine, as shown and described.

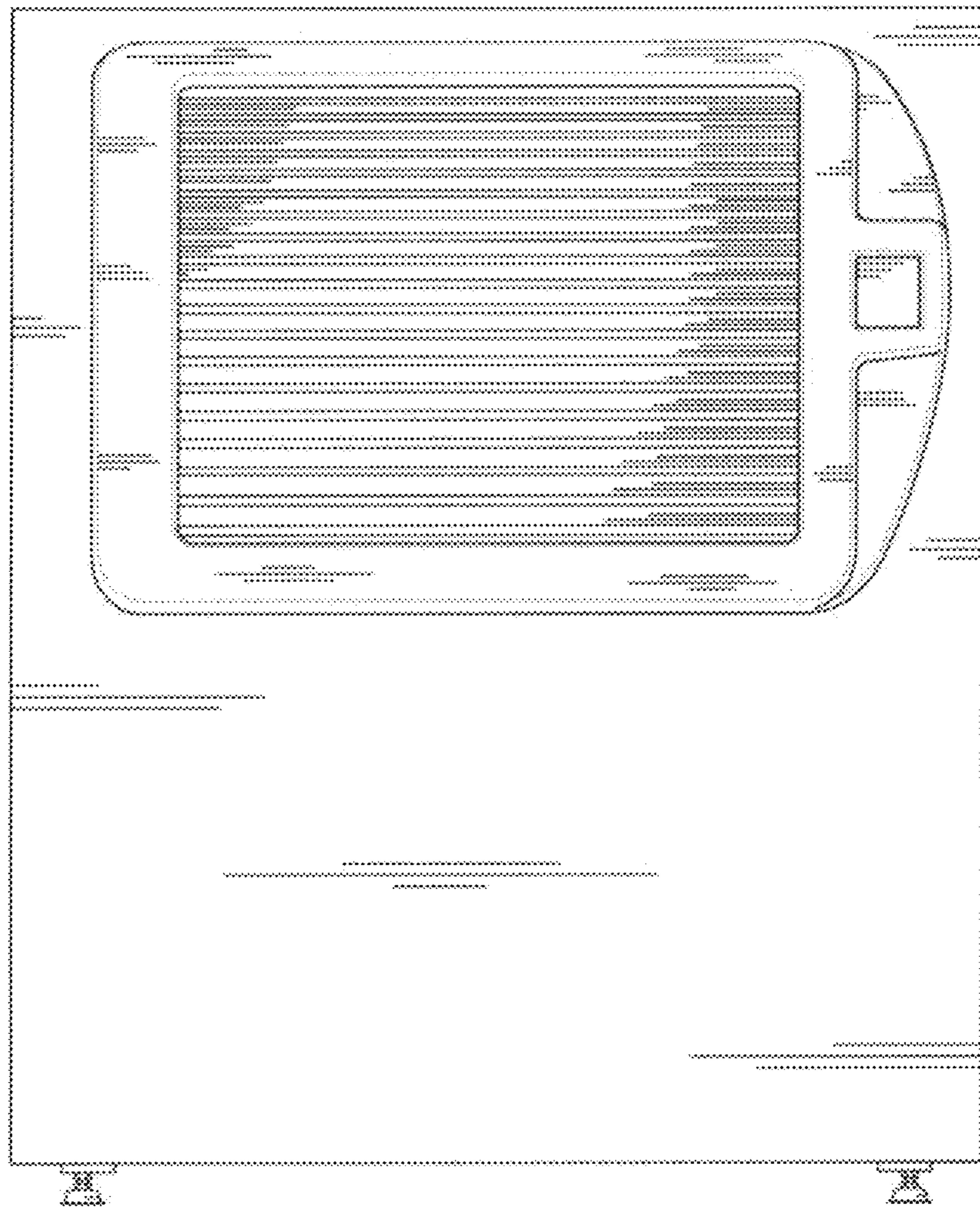
DESCRIPTION

1. Washing machine
1.1 : Front
1.2 : Left
1.3 : Right
1.4 : Back
1.5 : Top
1.6 : Bottom
1.7 : Perspective
1.8 : Perspective view with the door open
1.9 : Perspective view with the door half-open
The broken lines indicate portions of the washing machine that form no part of the claimed design.

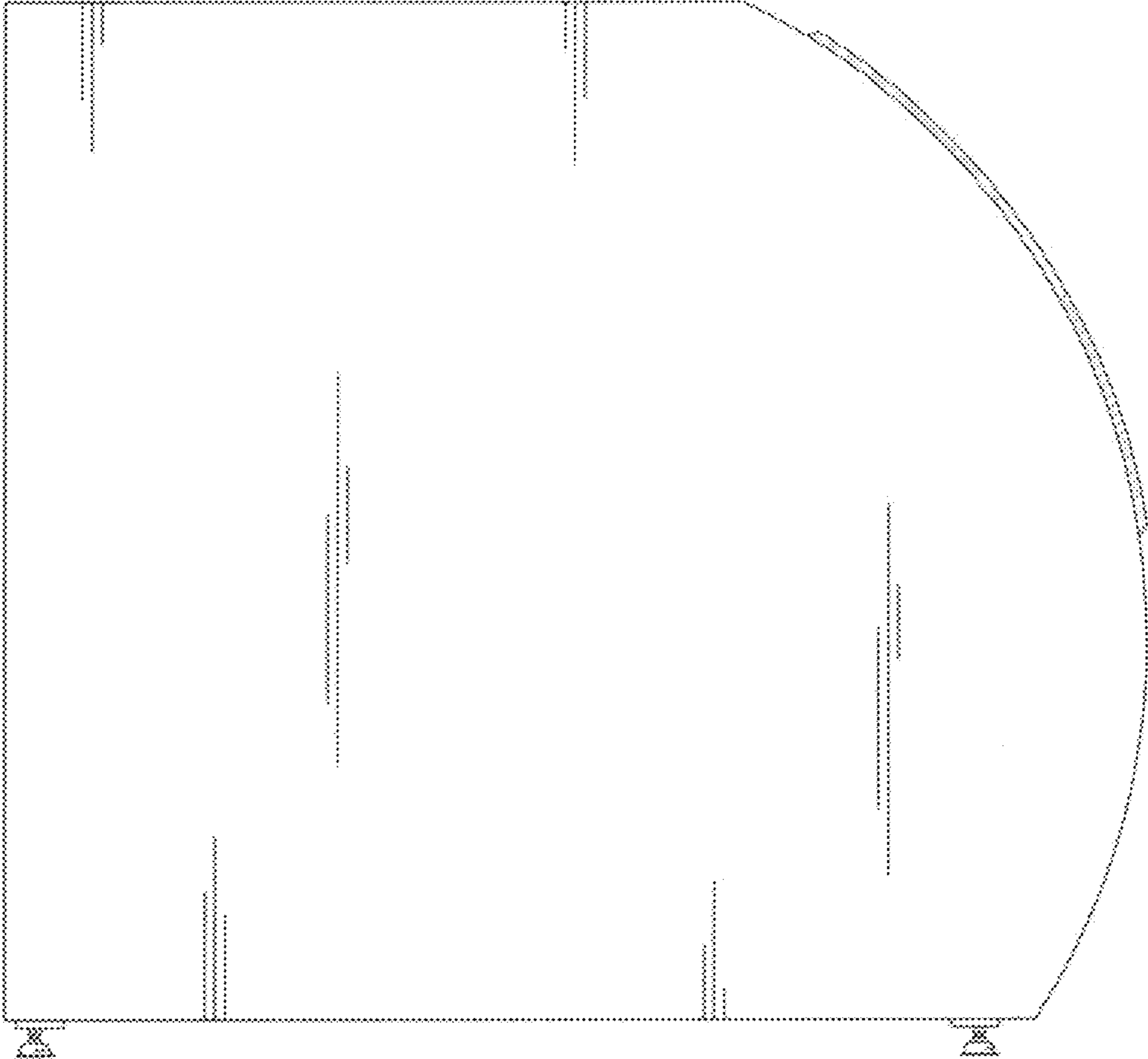
1 Claim, 9 Drawing Sheets



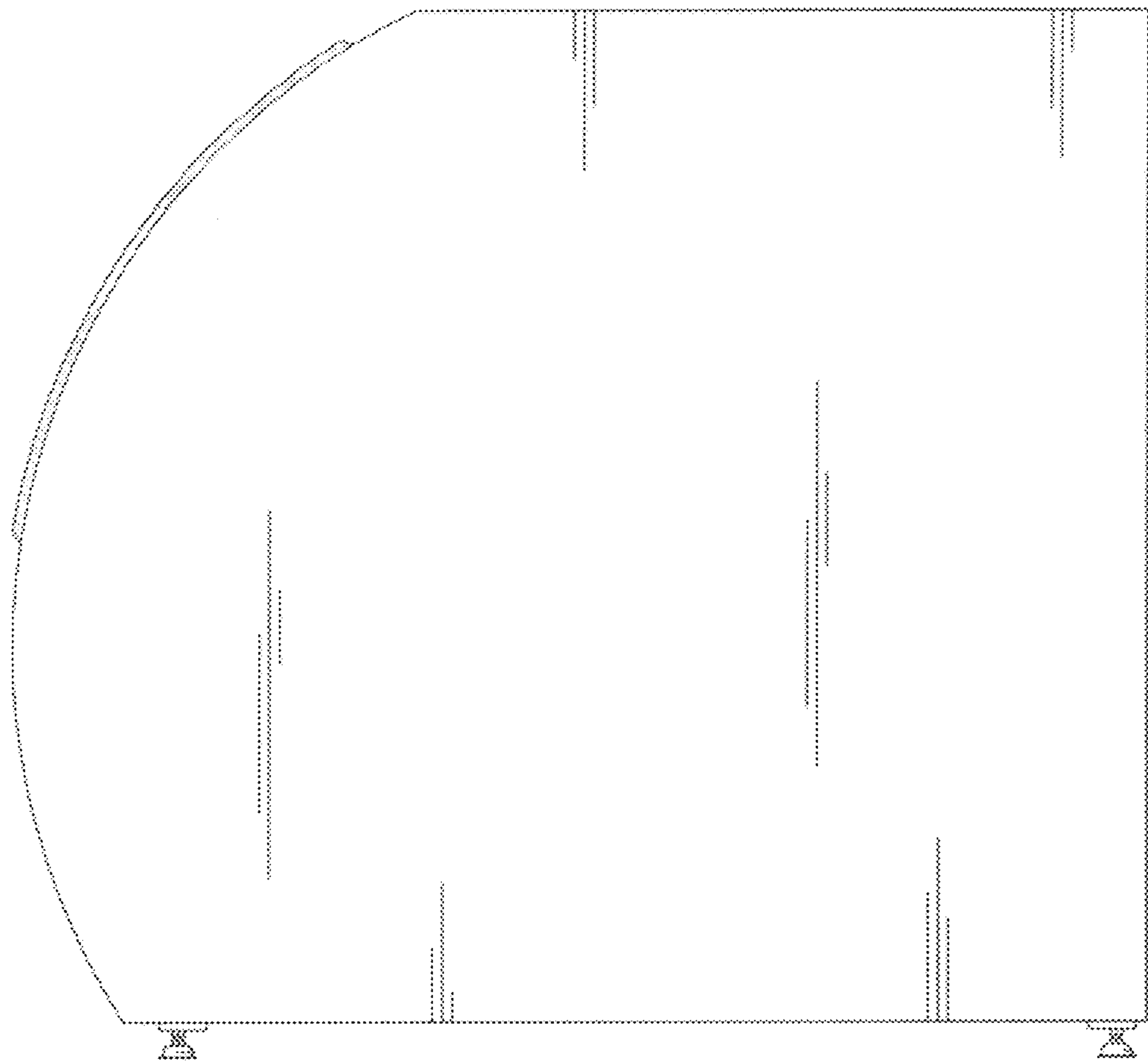
1.1



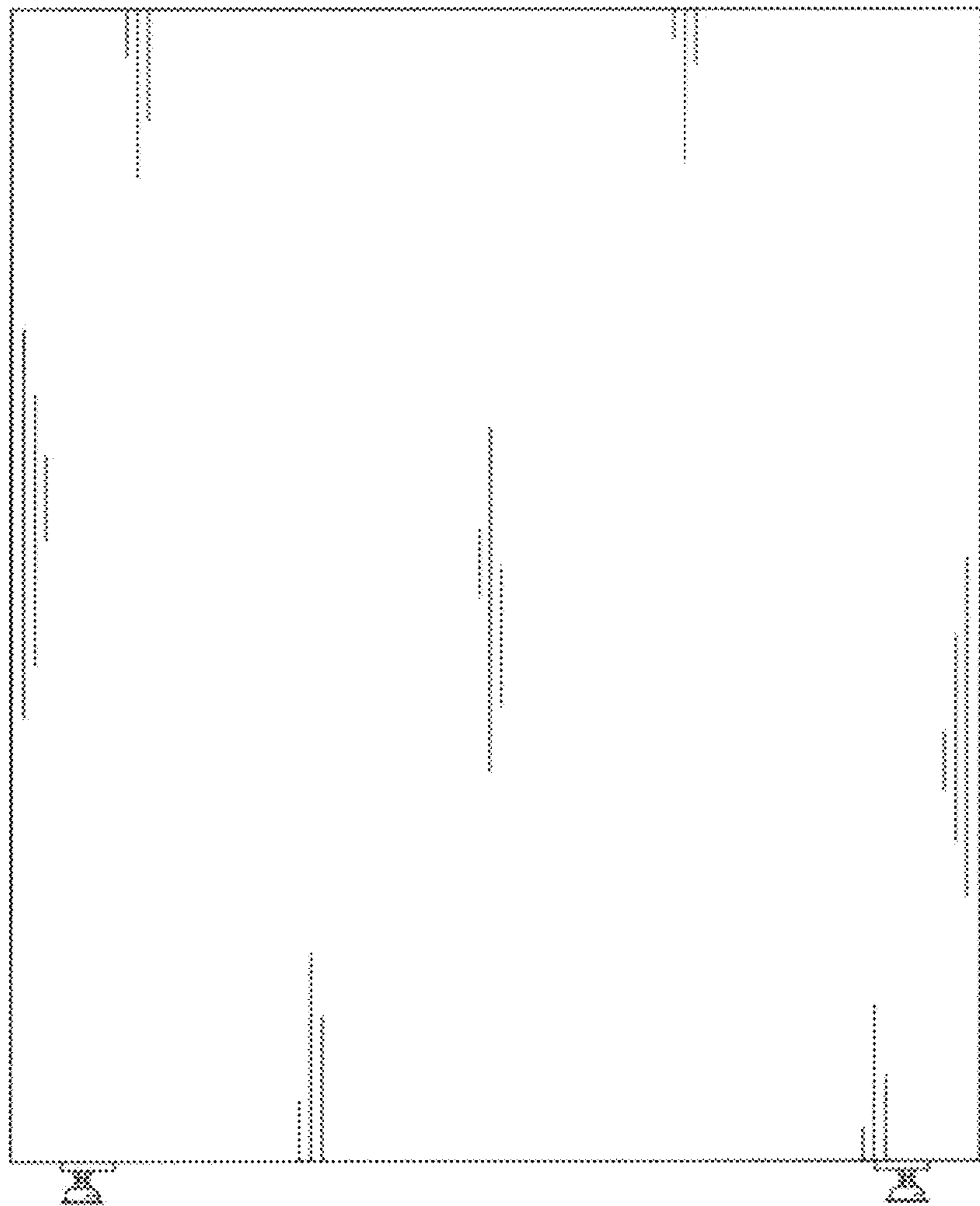
1.2



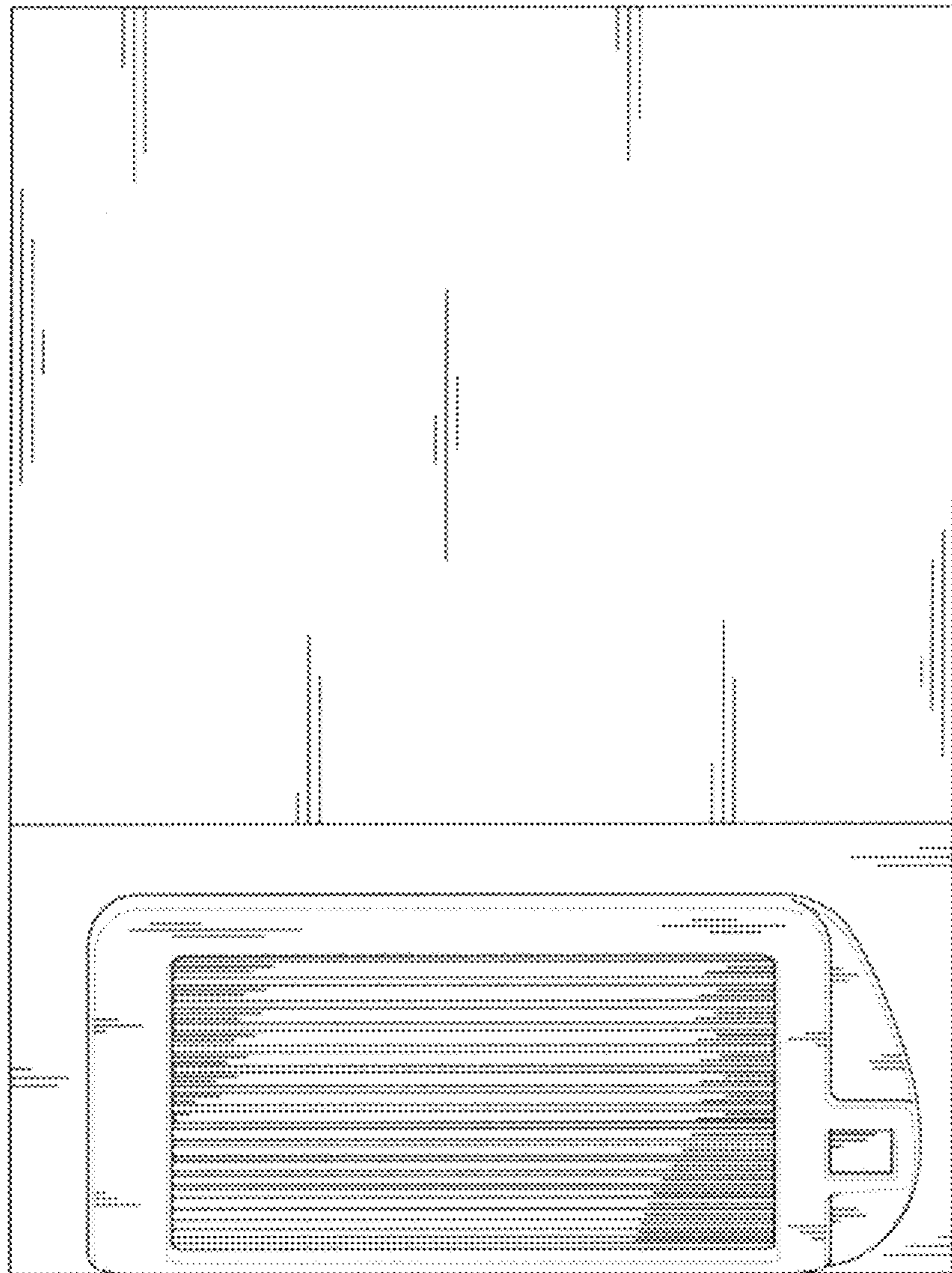
1.3



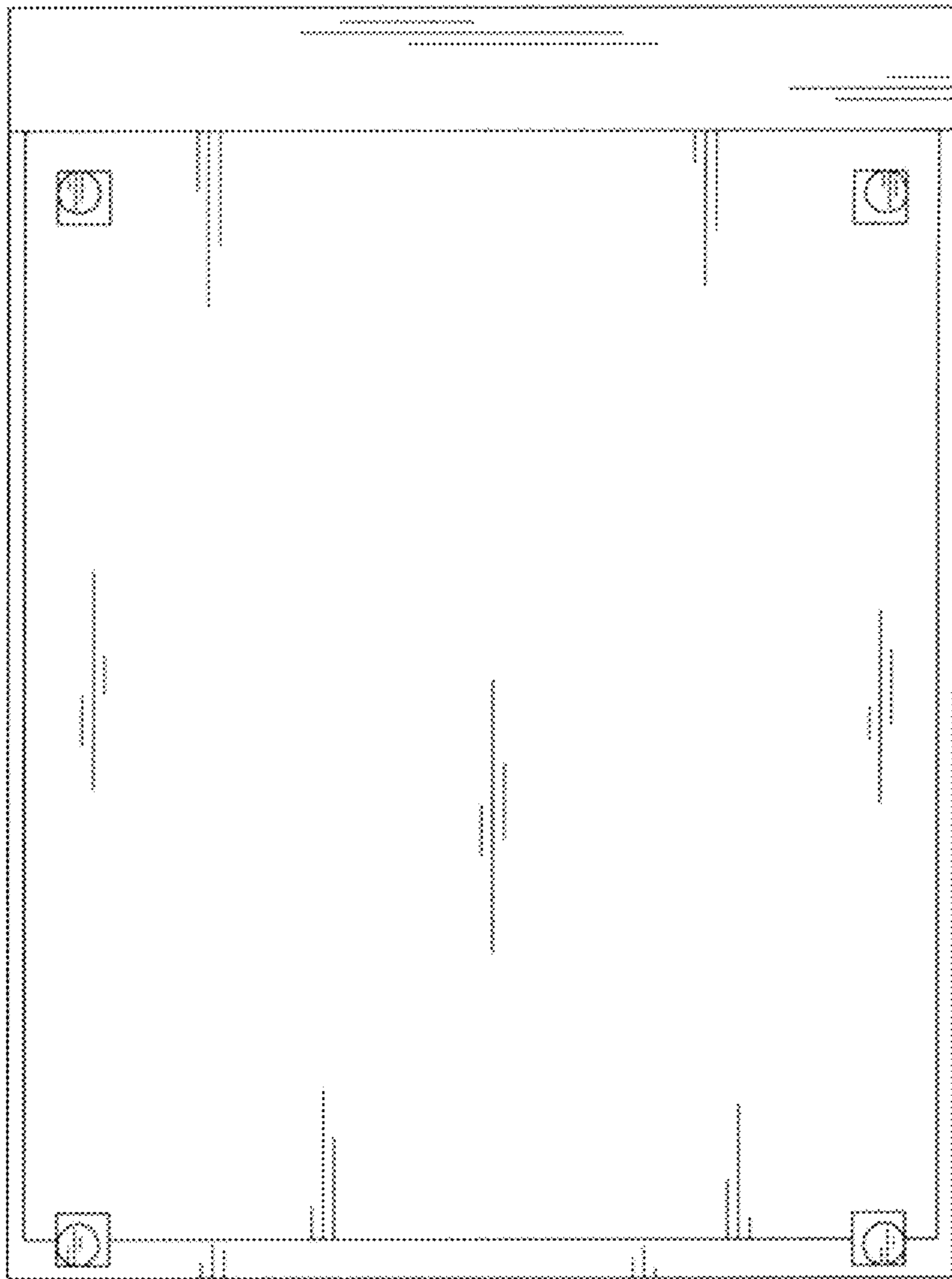
1.4



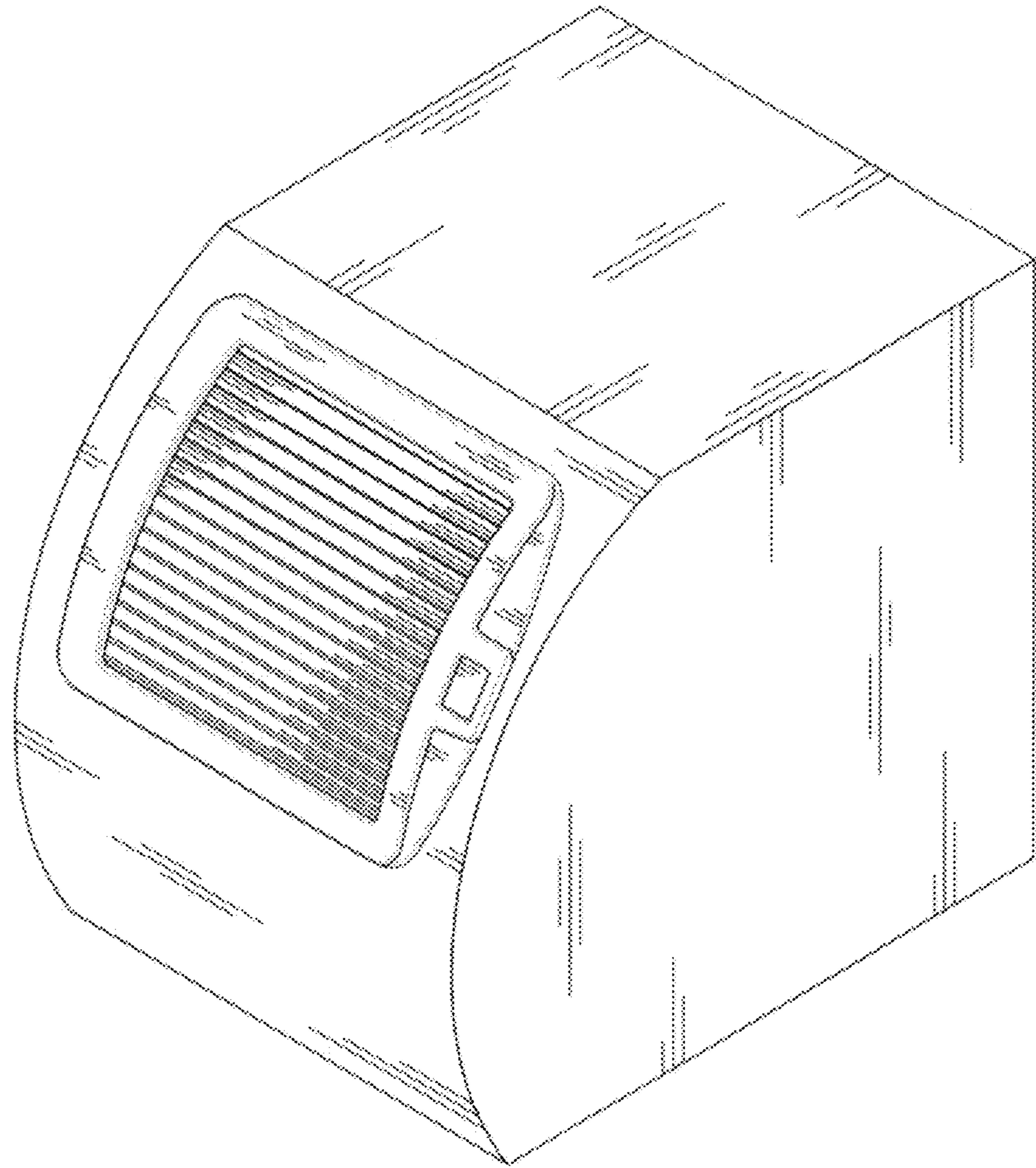
1.5



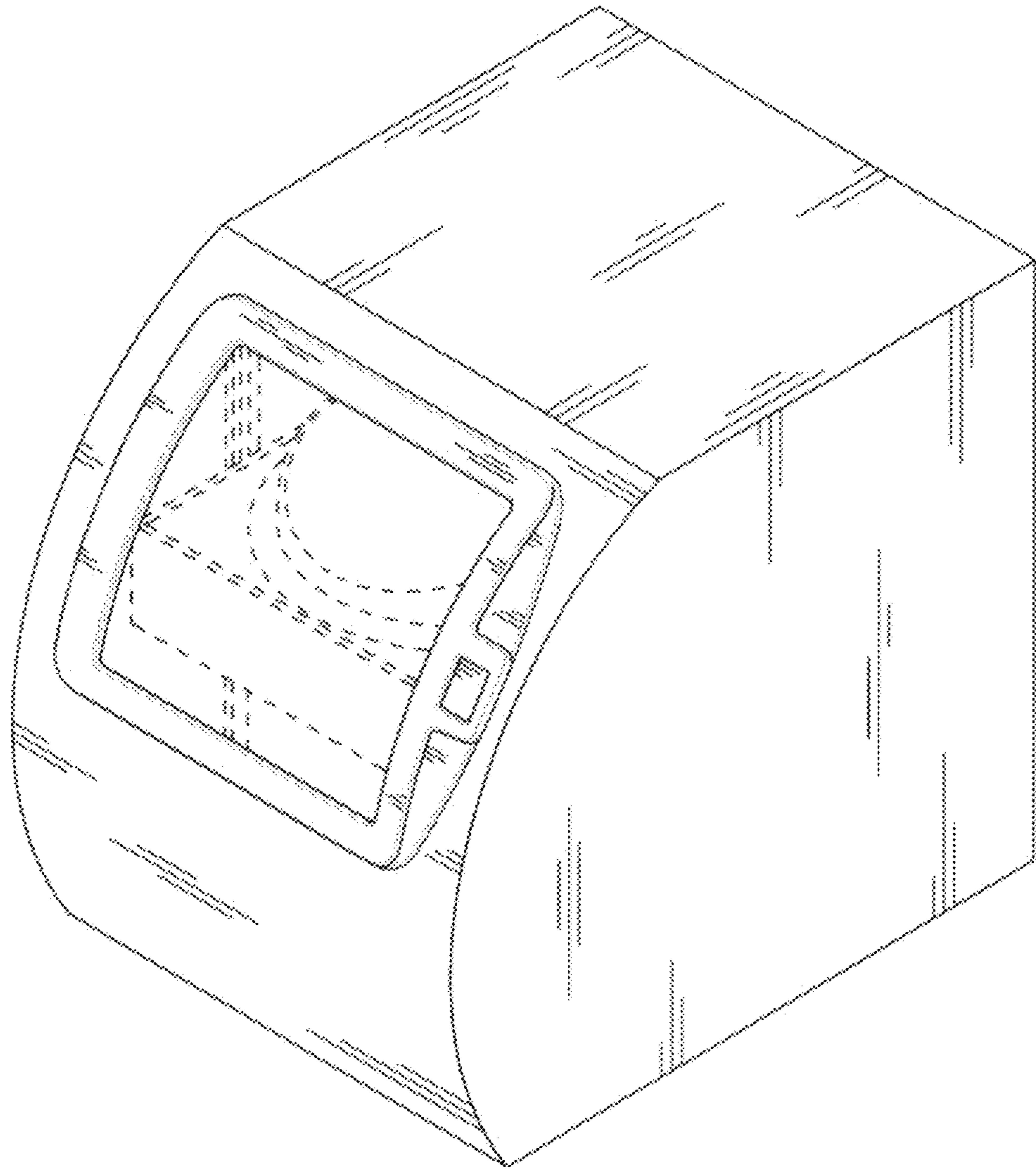
1.6



1.7



1.8



1.9

