

US00D925144S

(12) **United States Design Patent** (10) **Patent No.:** **US D925,144 S**
Michal et al. (45) **Date of Patent:** **** Jul. 13, 2021**

(54) **SPRAYER FOR DISHWASHER**

5,477,874 A 12/1995 Yura et al.
5,542,443 A 8/1996 Yura et al.
5,579,789 A 12/1996 Spiegel
5,673,714 A 10/1997 Campagnolo et al.
(Continued)

(71) Applicant: **Electrolux Home Products, Inc.**,
Charlotte, NC (US)

(72) Inventors: **Justin Daniel Michal**, Myrtle Beach,
SC (US); **Qian Jiang**, Stockholm (SE)

(73) Assignee: **Electrolux Home Products, Inc.**,
Charlotte, NC (US)

FOREIGN PATENT DOCUMENTS

CN 1600260 A 3/2005
DE 4416655 A1 11/1995
(Continued)

(**) Term: **15 Years**

OTHER PUBLICATIONS

(21) Appl. No.: **29/722,552**

Pictures of Sprayer Head from Electrolux Dishwasher, by Electrolux USA, 1 color sheet of photographs, disclosed on or about May 2013.

(22) Filed: **Jan. 30, 2020**

Primary Examiner — Michelle E. Wilson
(74) *Attorney, Agent, or Firm* — Banner & Witcoff, Ltd.

Related U.S. Application Data

(62) Division of application No. 29/618,135, filed on Sep. 19, 2017, now Pat. No. Des. 885,694.

(51) **LOC (13) Cl.** **15-05**

(52) **U.S. Cl.**
USPC **D32/3**

(58) **Field of Classification Search**
USPC D32/1-3, 25-28
CPC . A47L 15/248; A47L 15/4221; A47L 15/4223
See application file for complete search history.

(57) **CLAIM**

The ornamental design for a sprayer for dishwasher, as shown and described.

DESCRIPTION

FIG. 1 is a front perspective view of a sprayer for a dishwasher showing our new design; FIG. 2 is a front view thereof; FIG. 3 is a left side view thereof; FIG. 4 is a right side view thereof; FIG. 5 is a top view thereof; and, FIG. 6 is a bottom view thereof.

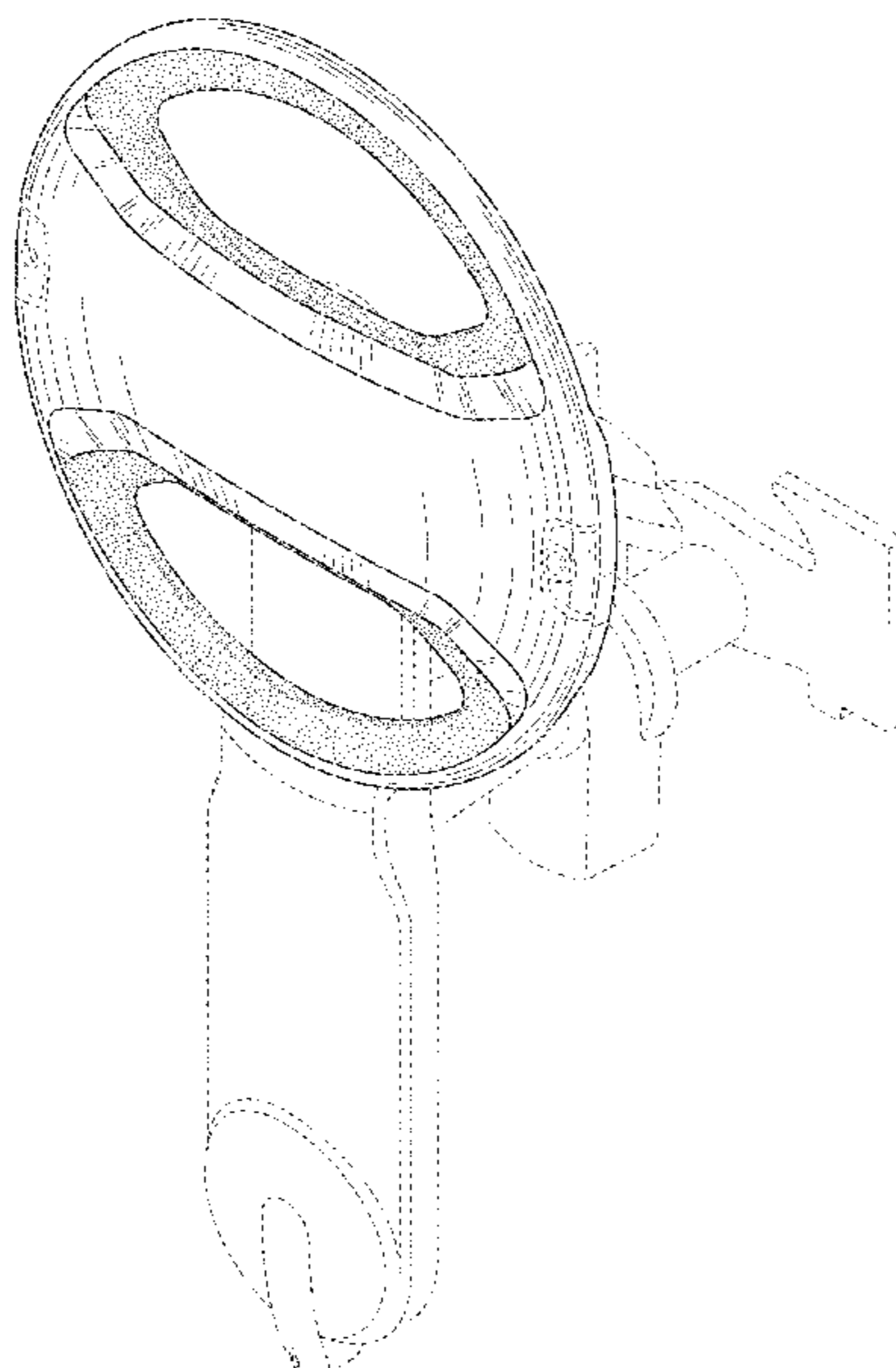
The broken line showing of the various elements of the sprayer for a dishwasher represents unclaimed subject matter and forms no part of the claimed design. The broken line showing of the remainder of the sprayer for a dishwasher represents unclaimed subject matter and forms no part of the claimed design. The contrast in shading represents a contrast in appearance only and does not represent any particular color, texture, or finish.

(56) **References Cited**

U.S. PATENT DOCUMENTS

2,440,161 A 4/1948 Vaudreuil
2,631,059 A 3/1953 Karlstrom
3,468,486 A 9/1969 Mercer
3,496,949 A 2/1970 Mercer
3,667,473 A 6/1972 Matteson
3,771,725 A 11/1973 Jenkins et al.
3,876,148 A 4/1975 Cushing et al.
5,333,631 A 8/1994 Kirkland et al.
5,449,011 A 9/1995 Jacobus et al.
5,464,482 A 11/1995 Michael et al.

1 Claim, 6 Drawing Sheets



(56)

References Cited

FOREIGN PATENT DOCUMENTS

U.S. PATENT DOCUMENTS

5,959,881	A	9/1999	Trimberger et al.
6,263,888	B1	7/2001	Nomura et al.
7,047,986	B2	5/2006	Ertle et al.
7,143,780	B1 *	12/2006	Pitts F16K 27/12 137/382
D675,386	S	1/2013	Burrows et al.
D675,387	S	1/2013	Burrows et al.
D718,007	S *	11/2014	Baldwin D32/3
D720,509	S *	12/2014	Baldwin D32/3
D739,619	S *	9/2015	Mersch D32/3
D748,351	S *	1/2016	Baldwin D32/3
D748,352	S *	1/2016	Baldwin D32/3
D799,762	S *	10/2017	Baldwin D32/3
D808,598	S *	1/2018	Baldwin D32/3
D827,953	S *	9/2018	Lee D32/3
D836,262	S *	12/2018	Lee D32/3
2009/0145981	A1	6/2009	Mack et al.
2010/0043825	A1	2/2010	Bertsch et al.
2010/0043826	A1	2/2010	Bertsch et al.
2014/0069473	A1 *	3/2014	Baldwin A47L 15/4246 134/56 D

DE	29718777	U1	3/1998
DE	102004043772	A1	3/2006
DE	102009007297	A1	8/2010
EA	2279687	A1	2/2011
EP	0727177	A2	9/1996
EP	0727182	A2	9/1996
EP	0766945	A2	4/1997
EP	1123684	A2	8/2001
EP	2215952	A1	8/2010
GB	550511	A	1/1943
JP	4067828	A2	3/1992
JP	4279134	A2	10/1992
JP	4327824	A2	11/1992
JP	5130964	A	5/1993
JP	7163505	A2	6/1995
JP	7250799	A2	10/1995
JP	8206052	A2	8/1996
JP	2002272666	A2	9/2002
JP	2004000654	A2	1/2004

* cited by examiner

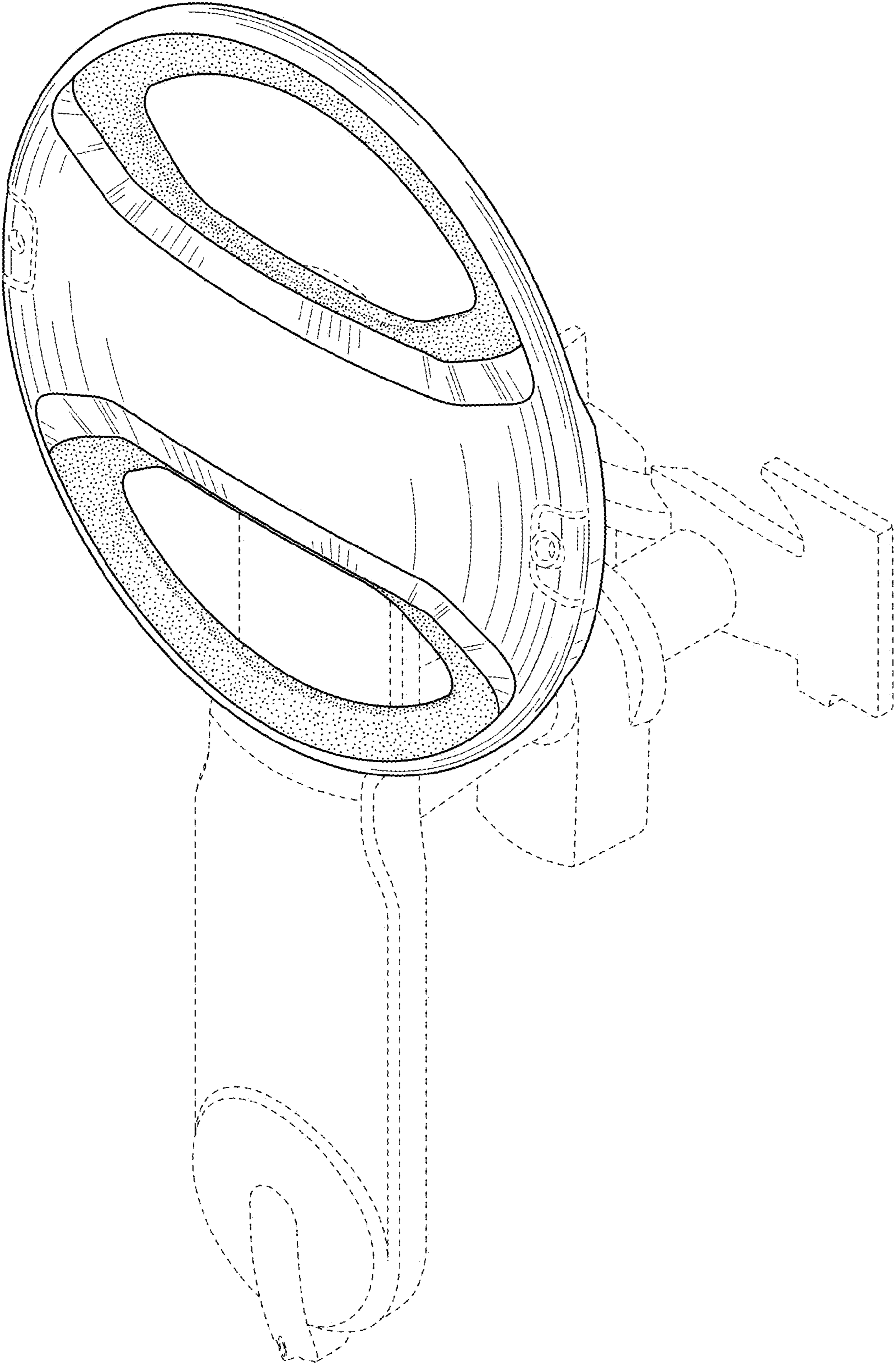


FIG. 1

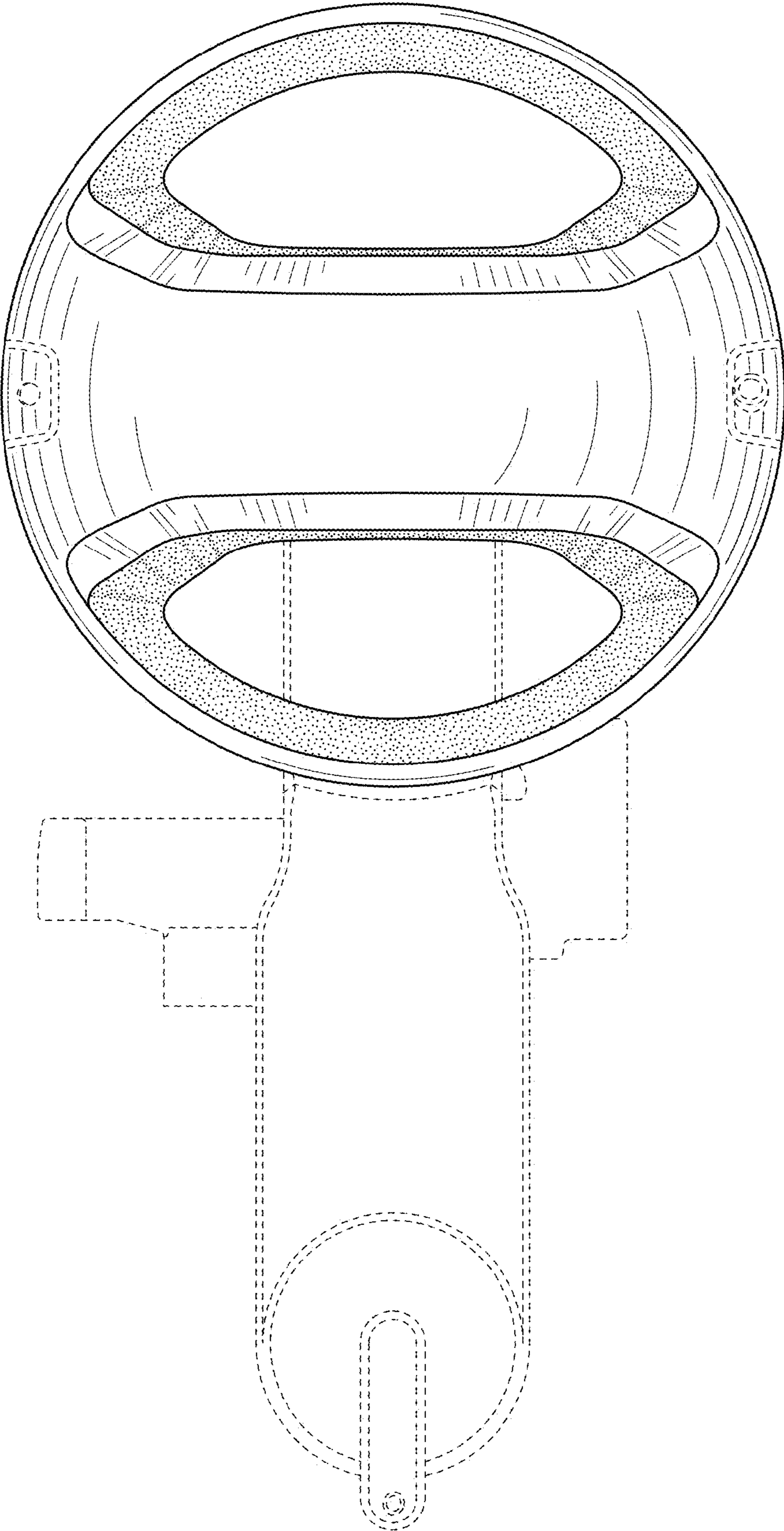


FIG. 2

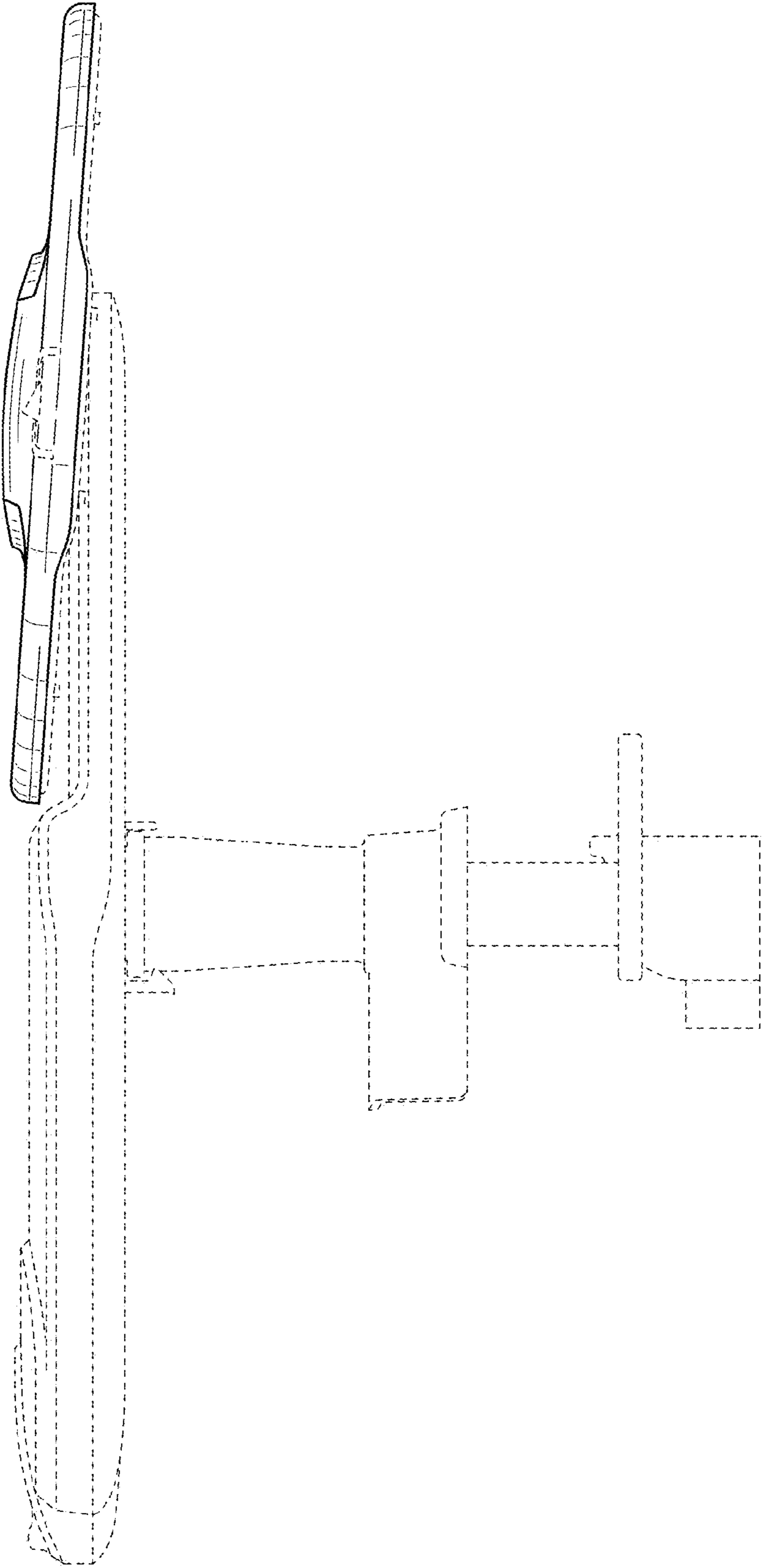


FIG. 3

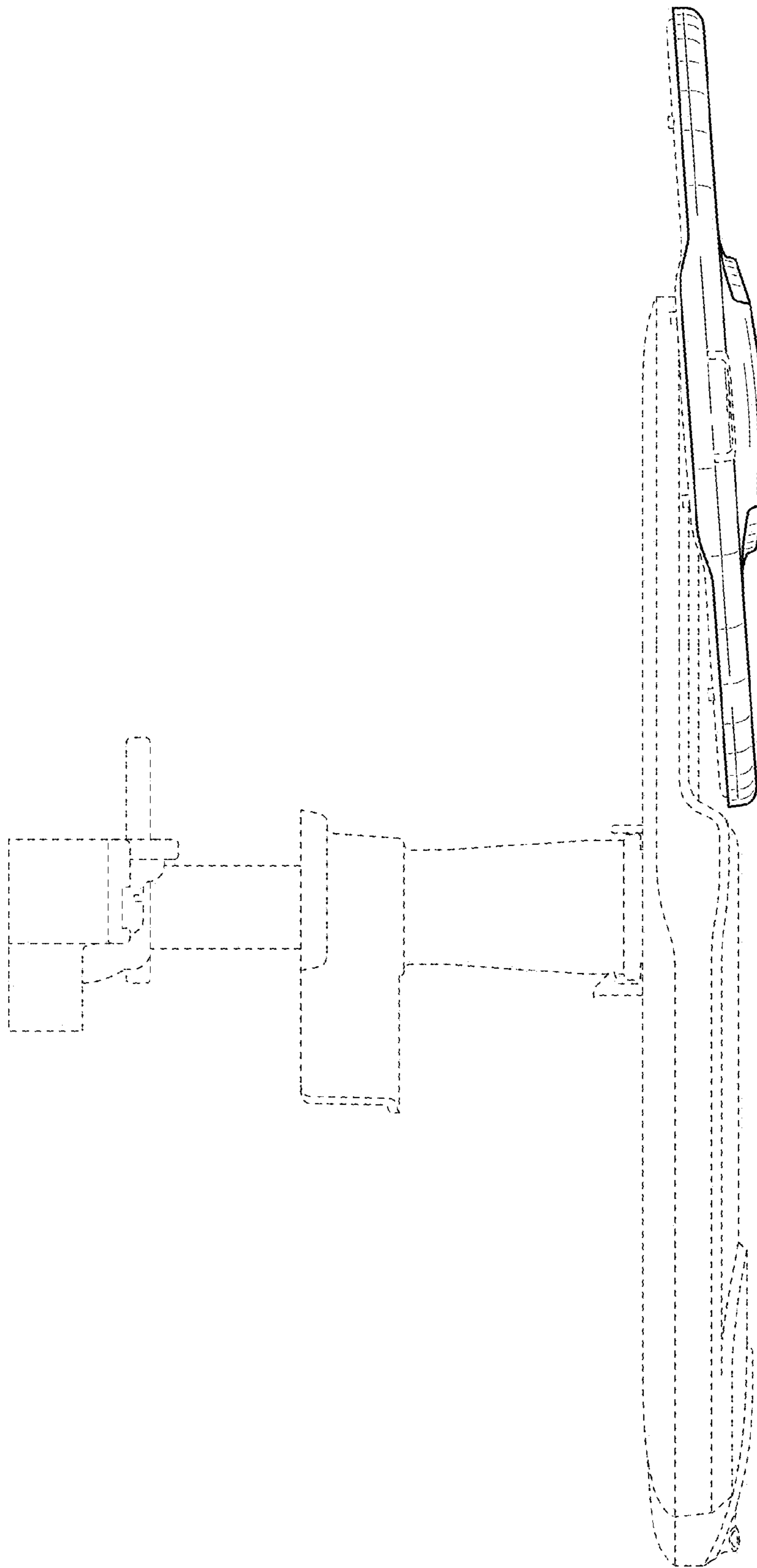


FIG. 4

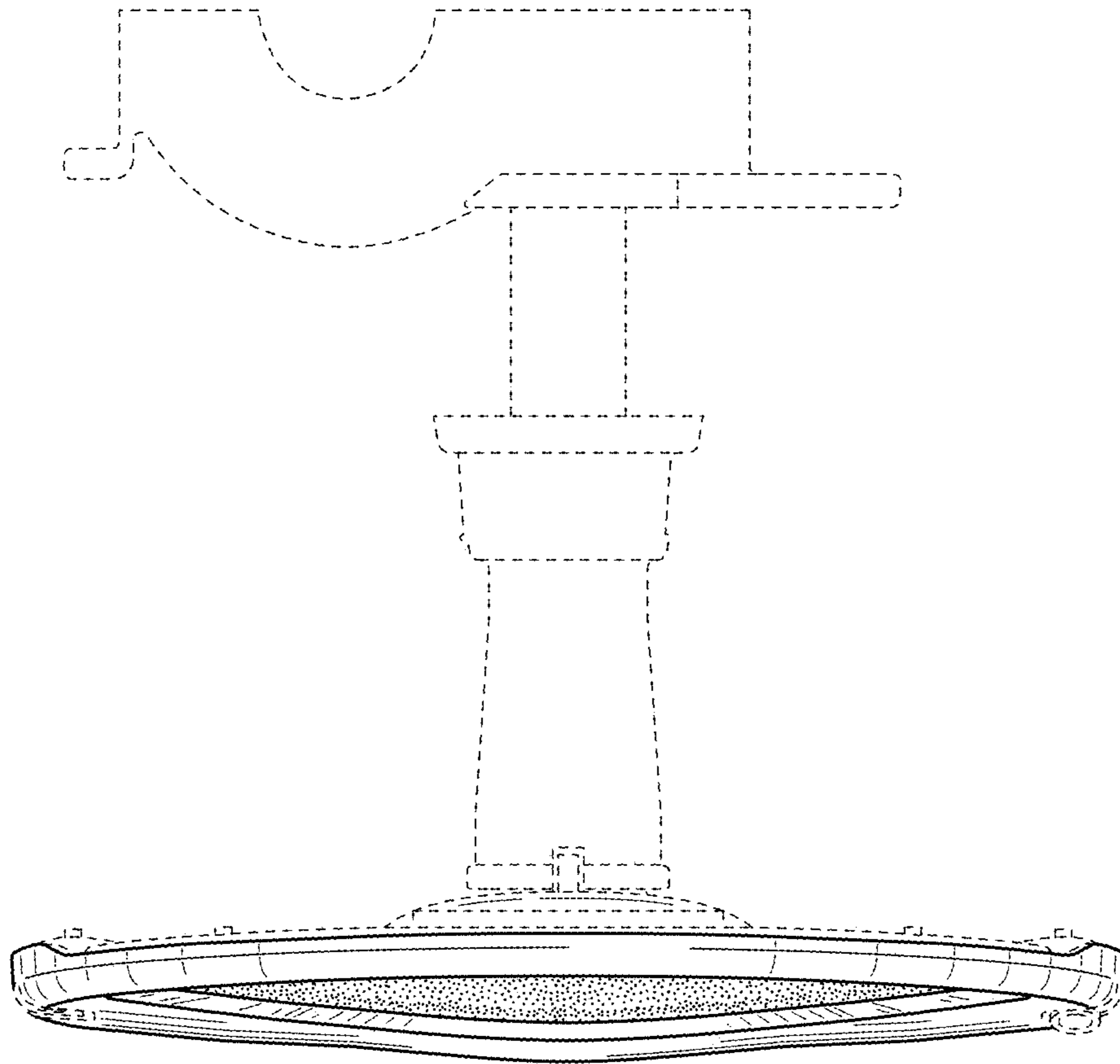


FIG. 5

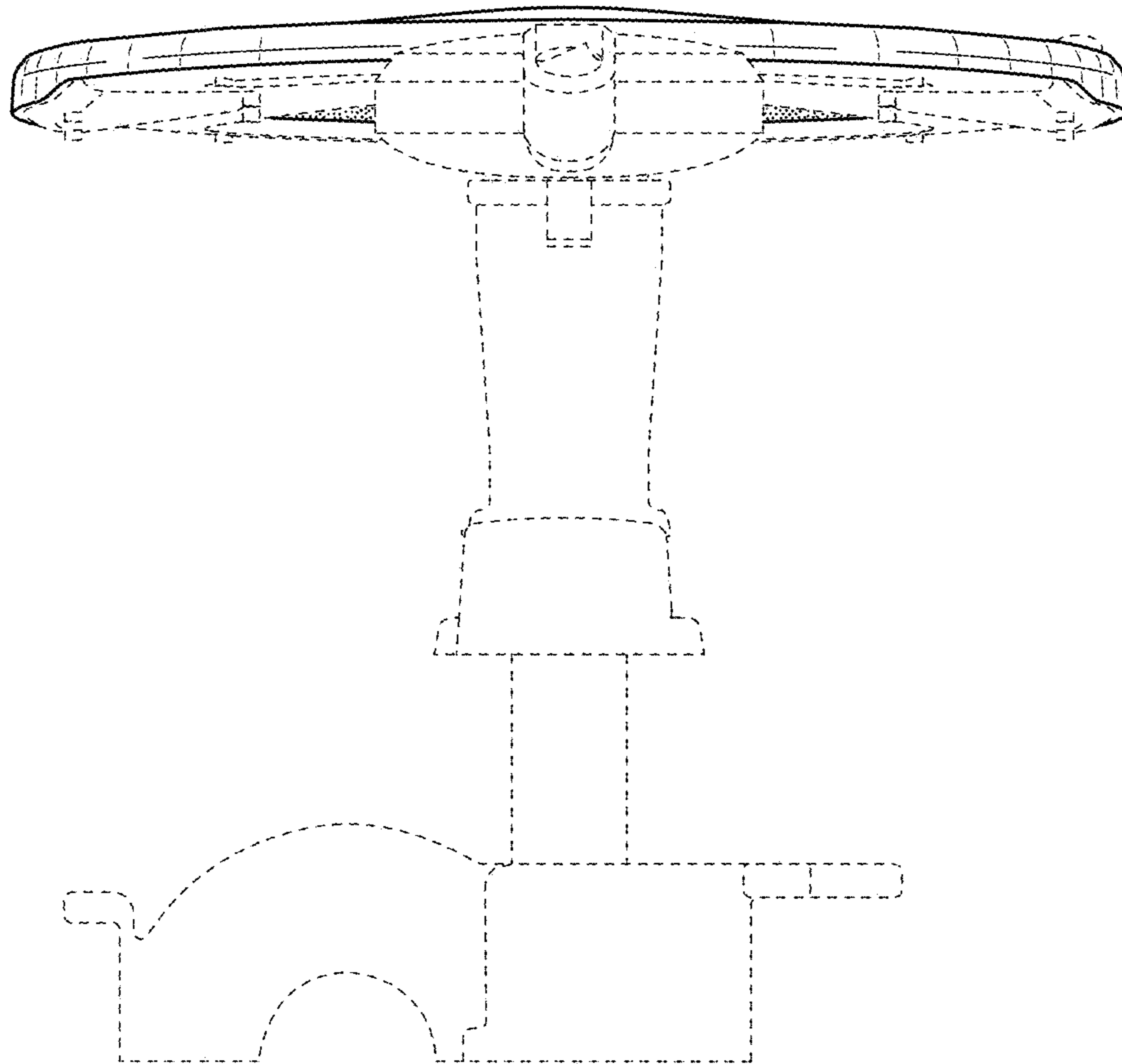


FIG. 6