



US00D925142S

(12) **United States Design Patent** (10) **Patent No.:** **US D925,142 S**
Jia (45) **Date of Patent:** **** Jul. 13, 2021**

(54) **DOG TRAINING DEVICE**

(71) Applicant: **Shenzhen Smart Pet Technology Co., Ltd**, Shenzhen (CN)

(72) Inventor: **Yaya Jia**, Shenzhen (CN)

(73) Assignee: **Shenzhen Smart Pet Technology Co., Ltd**, Shenzhen (CN)

(**) Term: **15 Years**

(21) Appl. No.: **29/766,359**

(22) Filed: **Jan. 14, 2021**

(30) **Foreign Application Priority Data**

Nov. 16, 2020 (CN) 202030690427.5

(51) **LOC (13) Cl.** **30-99**

(52) **U.S. Cl.**
USPC **D30/199; D10/104.1**

(58) **Field of Classification Search**
USPC D30/151-155, 144, 199, 160;
119/792-798, 850, 855-859, 863-865,
119/654, 905, 907, 815, 712, 802, 784,
119/769, 760, 776, 862, 908, 860,
119/719-721; 242/381.1-381.2, 385.4,
242/378.3, 376.1, 385.1, 916, 601, 570,
242/405, 404, 371, 223, 170, 388.1,
242/405.2, 377, 381.3, 381.6, 405.3,
242/388.6, 384.7, 382, 396.1, 404.1, 380;
362/108; 33/767, 769, 414; D12/400;
D3/229, 230, 207, 208, 215; 40/1.5, 455,
40/640, 303; 206/63.3, 459.5, 702, 408;
D6/515; D8/358, 360, 347, 360.1, 359,
D8/356, DIG. 1; D24/145, 167, 186, 146,
D24/169; D10/57, 72, 106.1, 104.1,
D10/104.2, 109.2, 70, 97, 98, 78, 65;
D20/28; 224/666, 678; 16/445; 283/74,
283/70; D11/232, 200, 216, 1, 2, 86, 87,
D11/201, 206-210, 212-215, 218;

24/163 K, 122.3, 323, 702, 600.4-600.7,
24/163 R, 169-171, 173, 177-179, 191,
24/194, 195, 197, 200, 303, 616, 635,
24/313, 615, 3, 6, 3 K, 599.2, 96, 221,
24/237, 311, 312, 314, 321, 338, 339,
24/309; 428/3, 4; 54/76, 1, 71; 63/29.1,
(Continued)

(56) **References Cited**

U.S. PATENT DOCUMENTS

D357,588 S * 4/1995 Fachinger D6/302
D360,304 S * 7/1995 Fachinger D6/302
(Continued)

Primary Examiner — Susan Moon Lee

(74) *Attorney, Agent, or Firm* — True Shepherd LLC;
Andrew C. Cheng

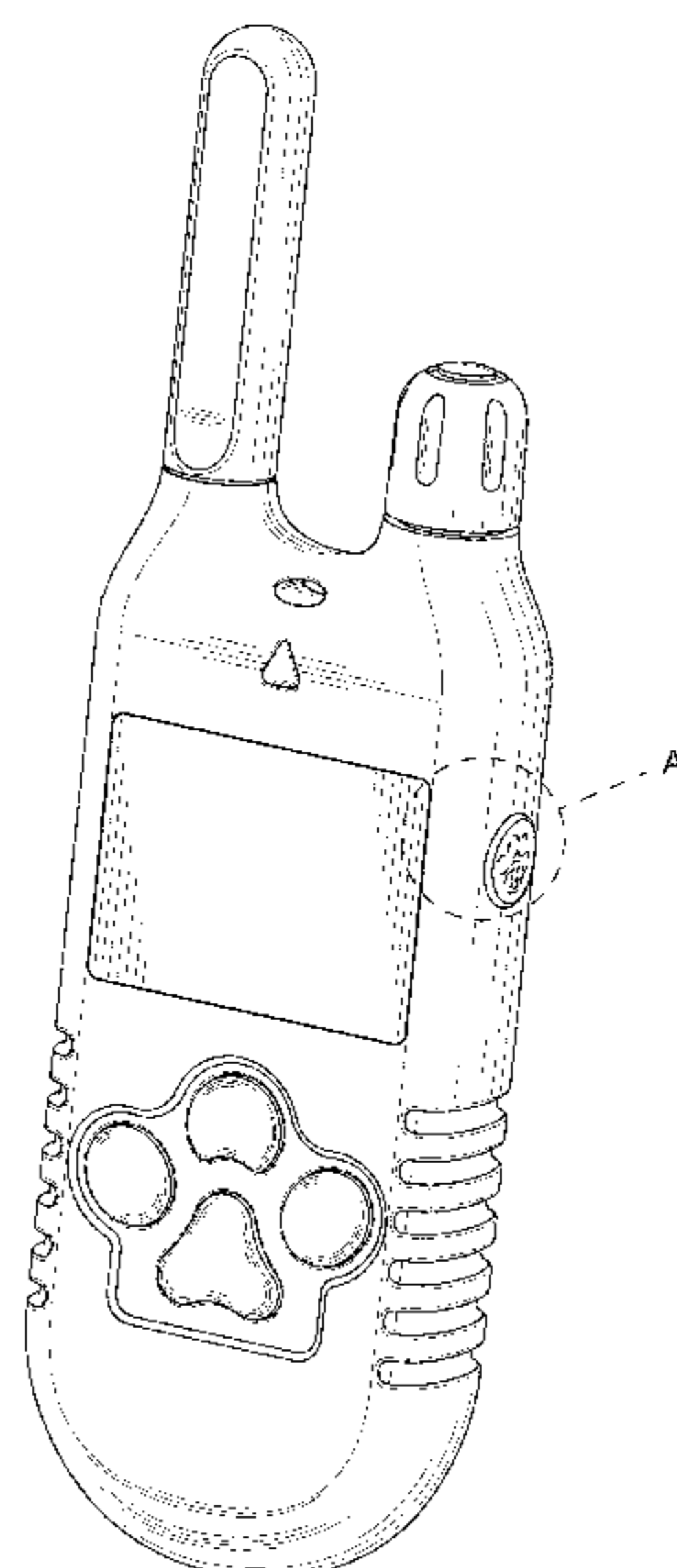
(57) **CLAIM**

The ornamental design for dog training device, as shown and described.

DESCRIPTION

FIG. 1 is a perspective view of a dog training device showing my new design;
FIG. 2 is another perspective view thereof;
FIG. 3 is a front view thereof;
FIG. 4 is a rear view thereof;
FIG. 5 is a left side view thereof;
FIG. 6 is a right side view thereof;
FIG. 7 is a top plan view thereof;
FIG. 8 is a bottom plan view thereof;
FIG. 9 is an enlarged view of portion B shown in FIG. 2; and,
FIG. 10 is an enlarged view of portion A shown in FIG. 1.
The broken lines depict portions of the dog training device that form no part of the claimed design.

1 Claim, 9 Drawing Sheets



US D925,142 S

(58) **Field of Classification Search**

USPC 63/3; 191/12.2 R, 12.4; D13/154, 153,
D13/137.4, 155, 103, 168; D19/69, 67;
379/438; 446/26; 473/576; D22/140;
174/135; 439/504, 13, 501; D34/33;
188/83, 82.1, 65.1; 254/134.3 FT;
D29/124; D2/627, 624, 633, 625;
132/145, 146, 148; 2/314; 59/79.1;
340/573.3, 573.1, 573, 573.4,
340/539.13-539.19; 343/895;
278/8 AES; 231/7; 361/232; D14/344,
D14/341, 137, 155, 496, 203.5, 203.3,
D14/144, 218, 188, 216, 192;
342/357.51, 357.57, 357.52, 357.55;
455/100, 352, 456.1, 550.1; 315/291
CPC A01K 15/021; A01K 15/02; A01K 15/022;
A01K 15/023; A01K 15/029; A01K
15/04; A01K 15/00; A01K 15/006; A01K
12/022; A01K 27/009; A01K 27/00;
A01K 27/001; A01K 27/006-008; A01K
29/005; A01K 29/00; A61B 5/0002-0028;
A61B 5/681; A61B 5/6822; A61B
5/6824; A61B 5/6829; G01S 5/0294
See application file for complete search history.

D591,914 S * 5/2009 Witham D30/199
RE40,799 E * 6/2009 Chen G06Q 90/00
701/33.2
D602,656 S * 10/2009 Fuhrer D30/162
D603,351 S * 11/2009 Badarello D13/168
D607,847 S * 1/2010 Elliott D13/168
D614,074 S * 4/2010 Castaline D11/79
D615,438 S * 5/2010 Goetzl D10/104.1
D616,844 S * 6/2010 Xia D14/137
D624,838 S * 10/2010 Chen D10/78
D629,318 S * 12/2010 Disch D10/78
7,860,619 B2 * 12/2010 Bertosa G06F 17/00
701/31.4
D631,027 S * 1/2011 Li D14/138 AA
D635,946 S * 4/2011 Garra D14/137
D644,133 S * 8/2011 Register D10/65
D654,245 S * 2/2012 School D99/5
D665,133 S * 8/2012 Haverstock D30/129
D666,367 S * 8/2012 Miller D30/152
D667,034 S * 9/2012 Wirth, Jr. D15/140
D667,562 S * 9/2012 Nguyen D24/224
D676,202 S * 2/2013 Hansen D30/199
D676,619 S * 2/2013 Hansen D30/199
D677,230 S * 3/2013 Ooi D14/137
D682,442 S * 5/2013 Nguyen D24/224
D685,753 S * 7/2013 Kang D14/137
D693,862 S * 11/2013 Wirth, Jr. D15/140
D695,392 S * 12/2013 Tani D24/113
8,600,610 B2 * 12/2013 Bertosa G06Q 30/0639
701/33.2

(56) **References Cited**

U.S. PATENT DOCUMENTS

D389,827 S * 1/1998 Oross D14/137
D395,882 S * 7/1998 Oross D14/137
D412,501 S * 8/1999 Tyneski D14/137
D425,887 S * 5/2000 Edwards D14/138 G
D427,743 S * 7/2000 Macias D1/107
D428,866 S * 8/2000 You D14/137
D430,126 S * 8/2000 Lee D14/137
D433,395 S * 11/2000 Wong D14/137
D435,160 S * 12/2000 Macias D1/107
D446,195 S * 8/2001 Chamberlain D14/137
D447,074 S * 8/2001 Chan D10/104.1
D457,989 S * 5/2002 O'Rourke D30/158
D469,708 S * 2/2003 To D10/104.1
D473,769 S * 4/2003 Kelleghan D8/18
6,598,563 B2 * 7/2003 Kim A01K 15/021
119/719
D480,695 S * 10/2003 Cebe D14/137
D480,698 S * 10/2003 Slipy D14/147
D491,150 S * 6/2004 Shen D13/168
D493,435 S * 7/2004 Esslinger D14/137
D493,776 S * 8/2004 Esslinger D14/137
D494,944 S * 8/2004 Esslinger D14/137
D496,347 S * 9/2004 Choi D14/191
6,860,240 B2 * 3/2005 Kim A01K 15/021
119/718
D504,223 S * 4/2005 Tamburri D3/211
D507,119 S * 7/2005 Reeves, Jr. D6/304
D528,990 S * 9/2006 Li D13/168
D535,902 S * 1/2007 Kaufman D30/199
D540,289 S * 4/2007 Liu D14/137
D545,225 S * 6/2007 Azuma D10/70
D558,933 S * 1/2008 Hood D30/158
D560,527 S * 1/2008 Rich D10/78
D560,862 S * 1/2008 Knuth D30/155
D561,411 S * 2/2008 Pipenur D30/155
D564,998 S * 3/2008 Tran D14/137
D572,141 S * 7/2008 Slabaugh D9/414
D576,127 S * 9/2008 Tran D14/137
D576,128 S * 9/2008 Tran D14/137
D577,370 S * 9/2008 Fried D14/496
D581,830 S * 12/2008 Slabaugh D11/121
D585,727 S * 2/2009 Kelleghan D8/356
D589,660 S * 3/2009 Tolentino-Swem D30/153
D591,162 S * 4/2009 Slabaugh D9/414
D591,478 S * 5/2009 Slusarczyk D1/107

D700,148 S * 2/2014 Paul D13/168
D701,004 S * 3/2014 Maguire D30/129
D702,437 S * 4/2014 Laboret D3/293
8,732,919 B1 * 5/2014 Malueg-Ray A61G 17/007
27/1
D711,758 S * 8/2014 Heath D10/104.1
D714,739 S * 10/2014 Rantala D13/168
D715,230 S * 10/2014 Rantala D13/168
D719,708 S * 12/2014 Ye D30/199
D721,861 S * 1/2015 Guo D30/199
D725,317 S * 3/2015 Avalos Sartorio D30/129
D727,032 S * 4/2015 Davis D4/114
9,014,907 B2 * 4/2015 Lipscomb G07C 5/008
701/29.1
D741,024 S * 10/2015 Liu D30/129
9,275,503 B2 * 3/2016 Chen G07C 5/008
D757,374 S * 5/2016 Breit D30/133
D774,935 S * 12/2016 Liu D10/104.1
9,646,432 B2 * 5/2017 Madison G07C 5/0808
D794,587 S * 8/2017 Page D14/137
D797,686 S * 9/2017 McRoberts D13/168
D801,840 S * 11/2017 Dwyer D10/104.1
D804,338 S * 12/2017 Protti D10/78
D805,701 S * 12/2017 Li D10/78
D806,246 S * 12/2017 Schraga D24/146
D806,592 S * 1/2018 Protti D10/78
D806,593 S * 1/2018 Sova D10/78
D811,622 S * 2/2018 Flood D25/113
D812,594 S * 3/2018 Katopis D14/223
D813,473 S * 3/2018 Ni D30/199
D815,372 S * 4/2018 Goetzl D30/199
D816,632 S * 5/2018 Yamamoto D14/137
D819,901 S * 6/2018 Bone D30/199
D820,128 S * 6/2018 Wong D10/78
D822,922 S * 7/2018 Wen D30/199
D831,601 S * 10/2018 Ooi D14/137
D834,432 S * 11/2018 Wang D10/78
D835,860 S * 12/2018 Li D10/78
D835,861 S * 12/2018 Li D10/78
10,159,219 B2 * 12/2018 Van Curen A01K 27/009
D838,611 S * 1/2019 Xie D10/78
D844,459 S * 4/2019 Maguire D10/46.2
D846,413 S * 4/2019 Wang D10/78
D846,521 S * 4/2019 Nakagawa D14/137
D852,073 S * 6/2019 Zhao D10/78
D859,776 S * 9/2019 Khan D99/5
D862,812 S * 10/2019 Jia D30/199
D863,242 S * 10/2019 Gordon D14/137
D867,322 S * 11/2019 Yan D14/155

(56)

References Cited

U.S. PATENT DOCUMENTS

D871,943 S * 1/2020 Xie D10/78
 D875,699 S * 2/2020 Hong D14/137
 D878,315 S * 3/2020 Zhou D14/137
 D879,390 S * 3/2020 Cai D30/199
 D881,486 S * 4/2020 Li D30/199
 D883,829 S * 5/2020 Nytko D10/104.1
 D884,995 S * 5/2020 Ni D30/199
 D891,385 S * 7/2020 Zhang D14/137
 D892,757 S * 8/2020 Pang D14/137
 D897,057 S * 9/2020 Jia D30/199
 D898,307 S * 10/2020 Yang D30/199
 D898,308 S * 10/2020 Yang D30/199
 D898,309 S * 10/2020 Yang D30/199
 D900,048 S * 10/2020 Huang D14/137
 D902,504 S * 11/2020 Katopis D30/159
 D903,515 S * 12/2020 Zhao D10/78
 D904,214 S * 12/2020 Zinn D10/104.1
 D904,702 S * 12/2020 Jia D30/199
 D914,628 S * 3/2021 Wang D14/137
 D914,629 S * 3/2021 Wang D14/137
 D915,319 S * 4/2021 Tschopp D14/137
 D918,074 S * 5/2021 Zhao D10/78
 D918,748 S * 5/2021 Zhao D10/78
 D919,905 S * 5/2021 Wang D30/199
 2005/0020279 A1 * 1/2005 Markhovsky G01S 5/12
 455/456.1

2005/0045681 A1 * 3/2005 Hancock B60R 11/0205
 224/401
 2007/0012260 A1 * 1/2007 Boyd A01K 11/00
 119/720
 2008/0036610 A1 * 2/2008 Hokuf A01K 15/021
 340/573.3
 2009/0102668 A1 * 4/2009 Thompson A01K 15/023
 340/573.3
 2010/0203849 A1 * 8/2010 Straub H04B 1/38
 455/90.2
 2011/0132269 A1 * 6/2011 Davidson A45F 5/02
 119/161
 2011/0169183 A1 * 7/2011 Axelrod A01K 15/026
 264/46.4
 2012/0068396 A1 * 3/2012 Wirth, Jr. B23Q 1/032
 269/289 R
 2013/0265165 A1 * 10/2013 So A01K 15/022
 340/573.3
 2014/0232541 A1 * 8/2014 Trenkle G08B 25/10
 340/539.13
 2014/0261233 A1 * 9/2014 So A01K 27/009
 119/720
 2015/0060205 A1 * 3/2015 Blackwell B60R 3/02
 182/223
 2016/0100552 A1 * 4/2016 So A01K 27/001
 119/719
 2016/0366859 A1 * 12/2016 Prasanna A01K 15/021
 2017/0208775 A1 * 7/2017 Van Curen A01K 15/021
 2017/0360003 A1 * 12/2017 So A01K 15/021

* cited by examiner

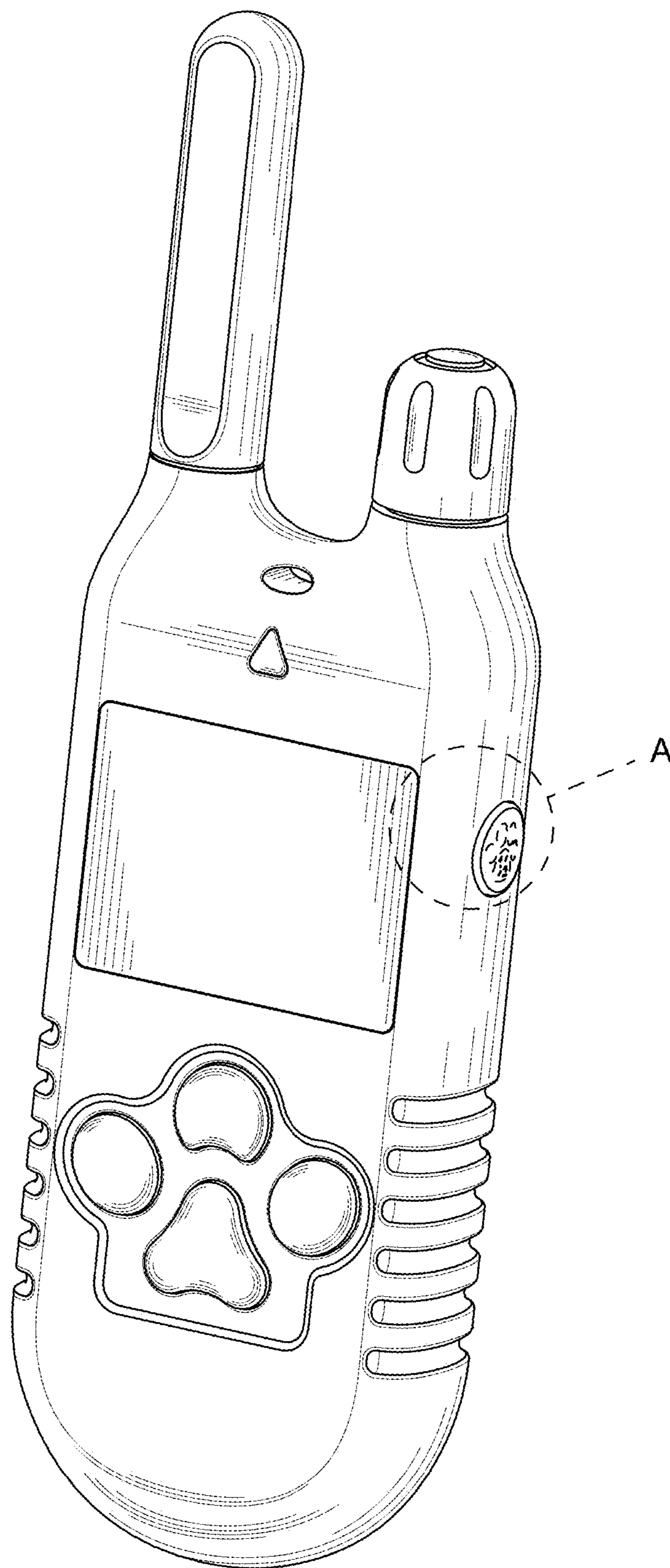


FIG. 1

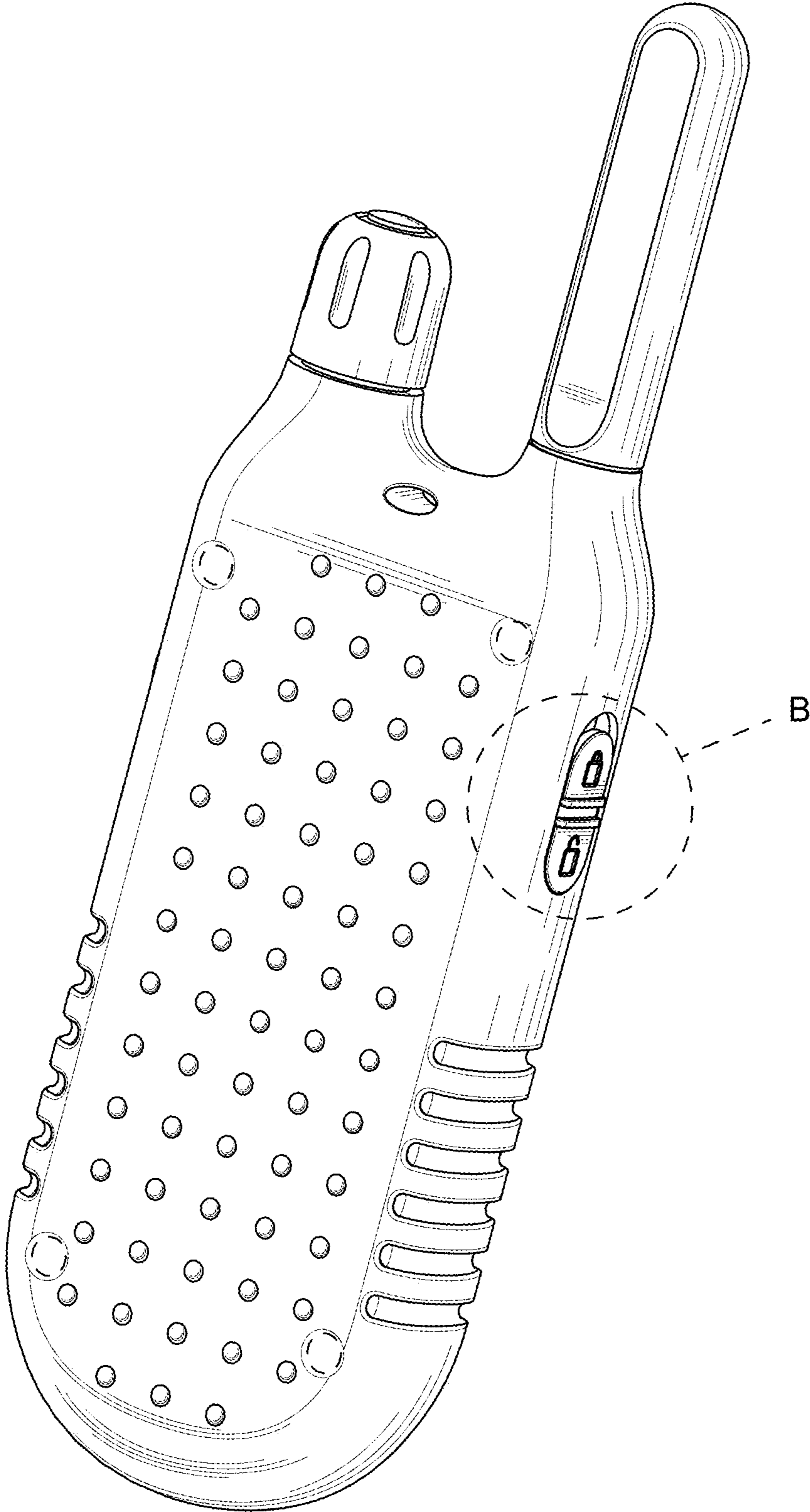


FIG. 2

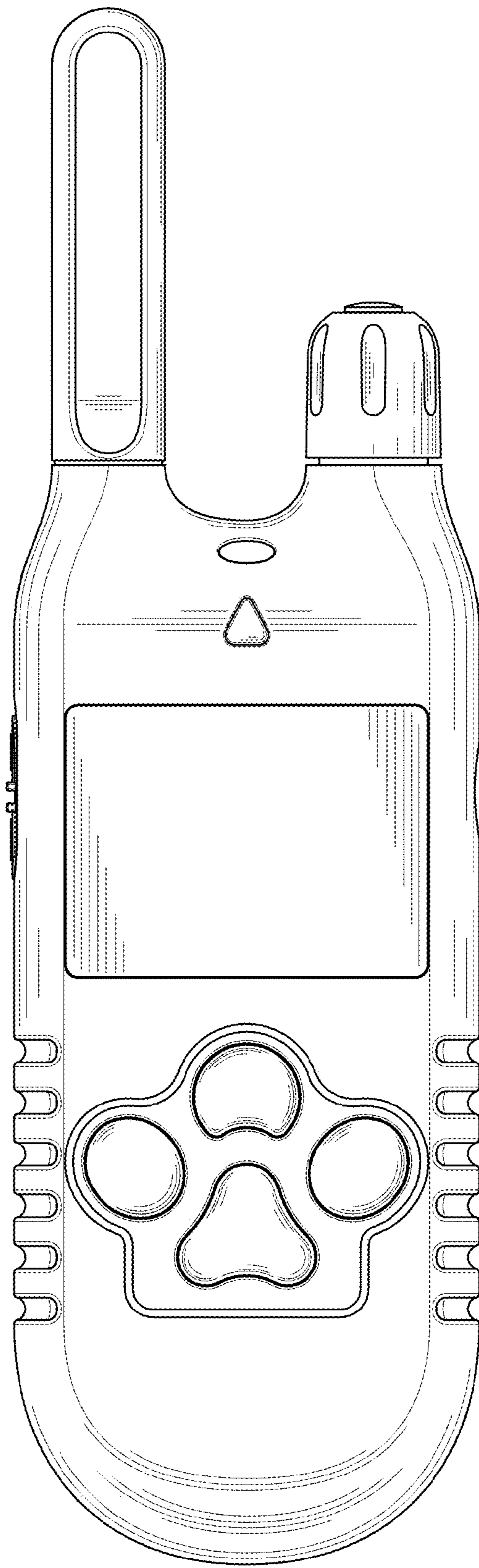


FIG. 3

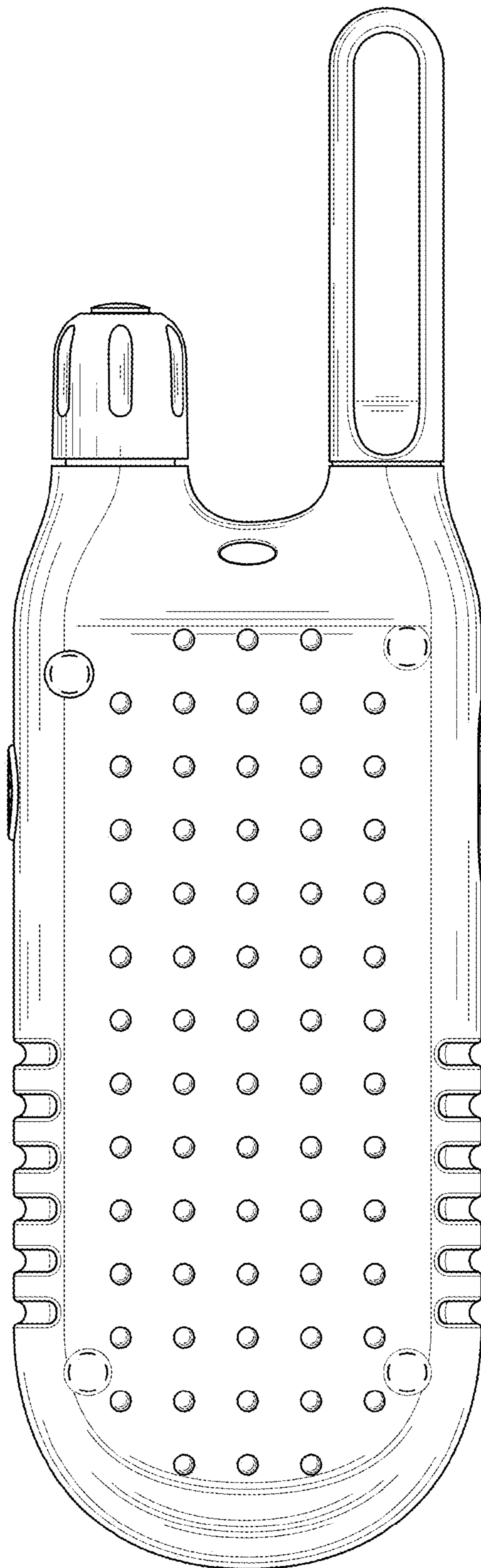


FIG. 4

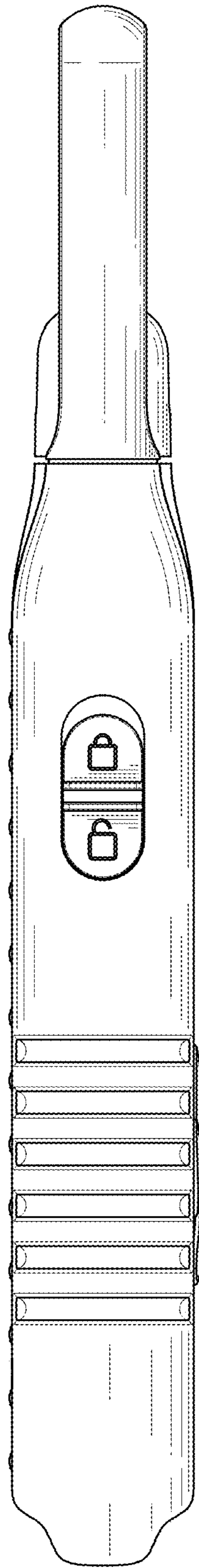


FIG. 5

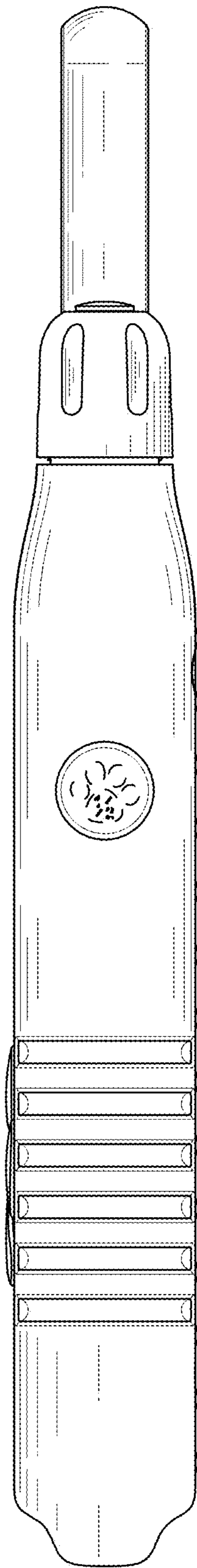


FIG. 6

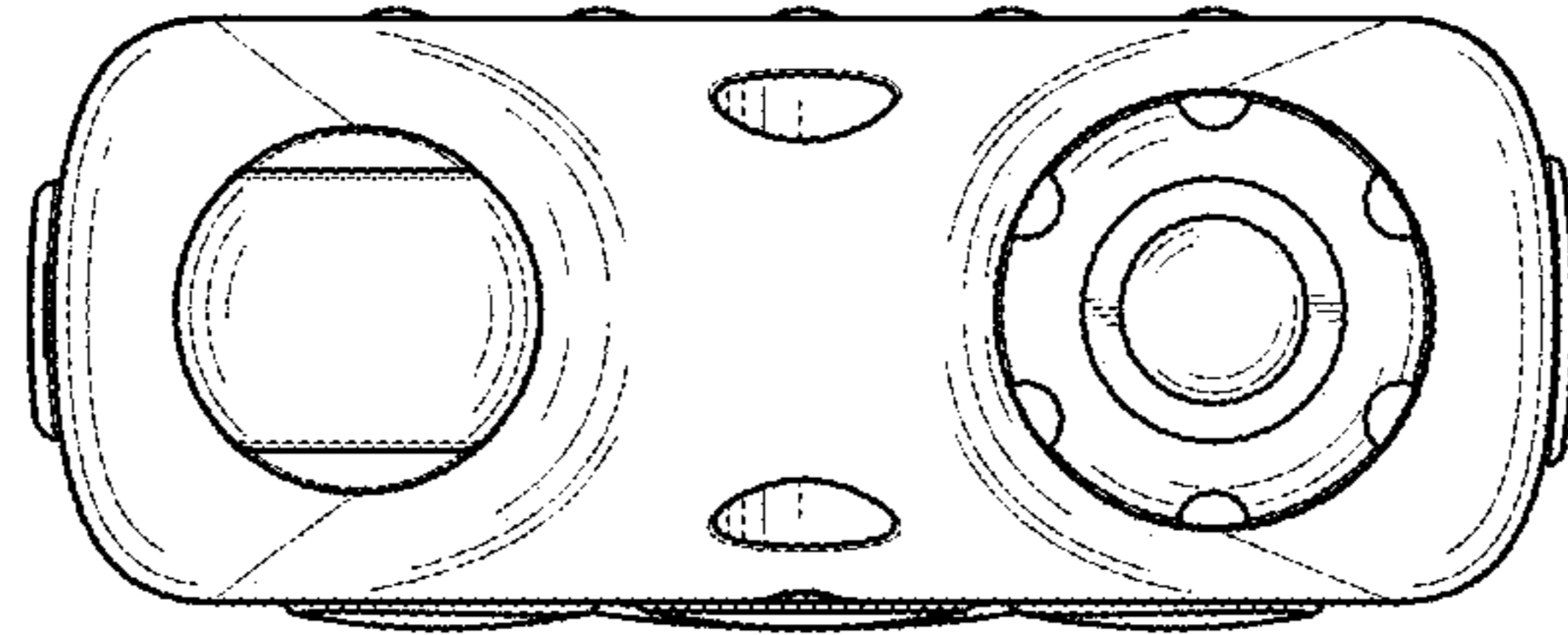


FIG. 7



FIG. 8

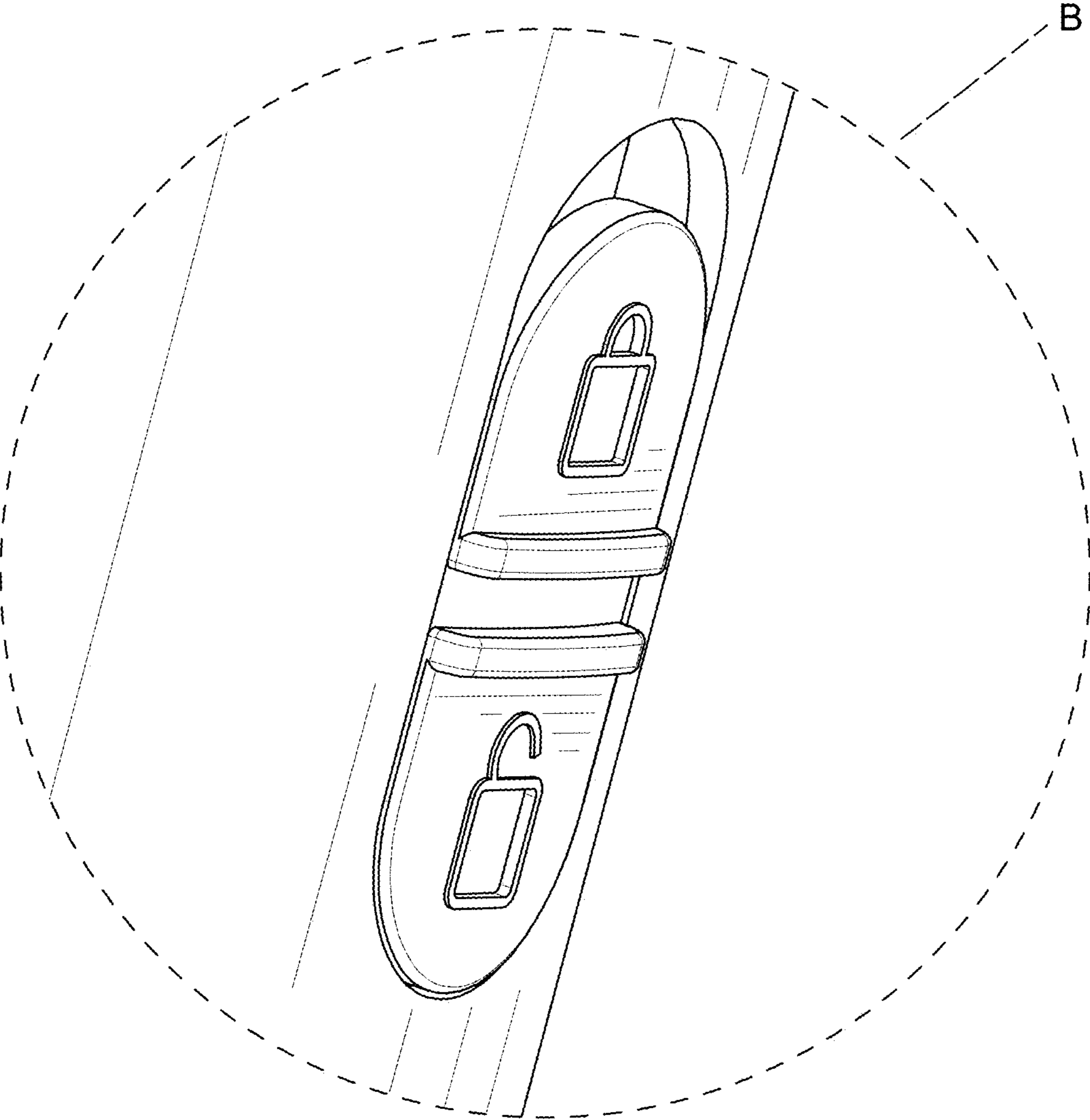


FIG. 9

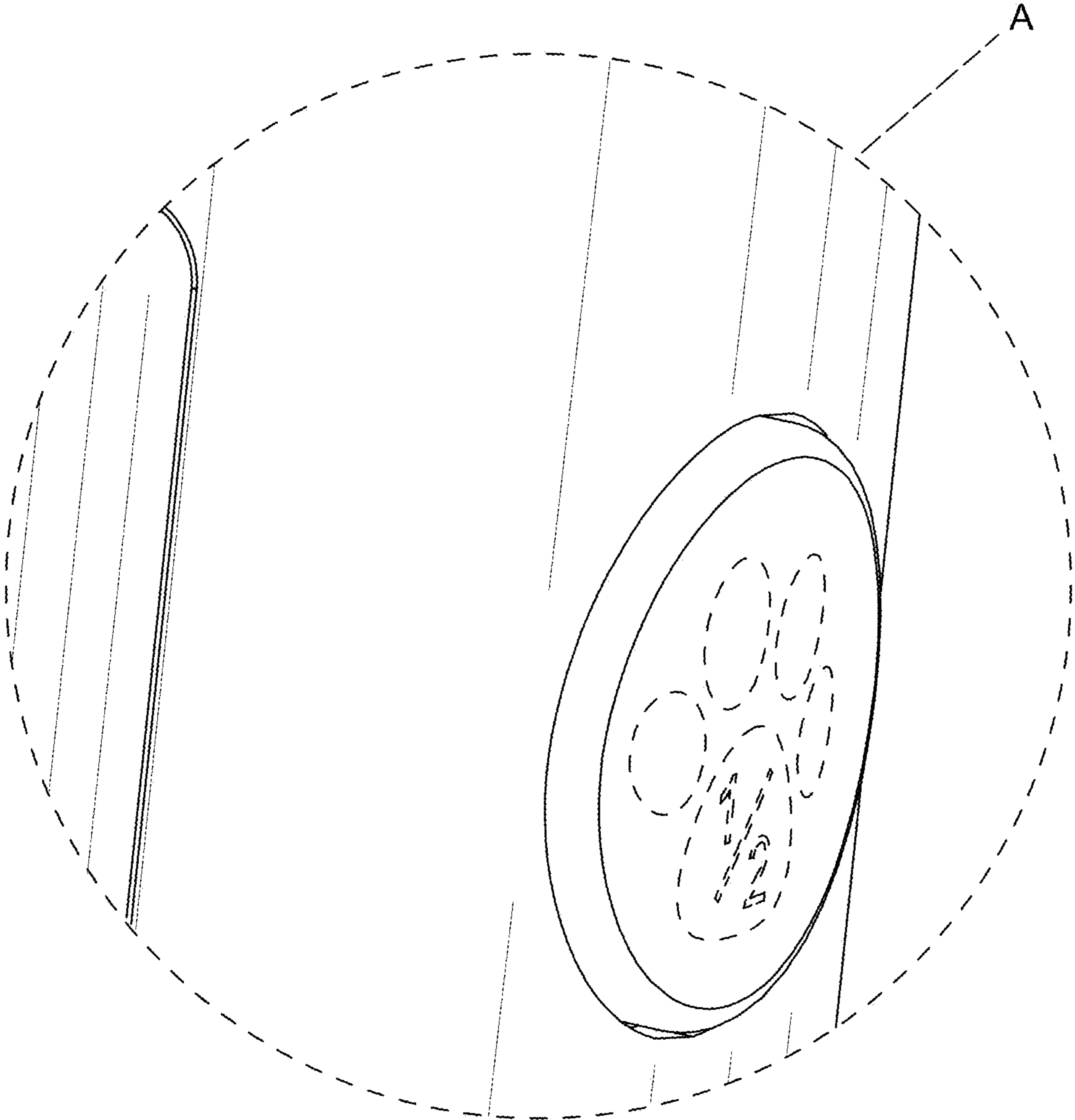


FIG. 10