



US00D925139S

(12) **United States Design Patent** (10) **Patent No.:** **US D925,139 S**  
**Stinson** (45) **Date of Patent:** **\*\* Jul. 13, 2021**

(54) **COMBINATION WASTE COLLECTION AND STORAGE APPARATUS**

(71) Applicant: **Sandy Stinson**, Santa Barbara, CA (US)

(72) Inventor: **Sandy Stinson**, Santa Barbara, CA (US)

(\*\*) Term: **15 Years**

(21) Appl. No.: **29/713,692**

(22) Filed: **Nov. 18, 2019**

(51) **LOC (13) Cl.** ..... **30-99**

(52) **U.S. Cl.**  
USPC ..... **D30/161**

(58) **Field of Classification Search**

USPC ..... D30/158-161; D3/304  
CPC .... A01K 1/011; A01K 1/0107; A01K 1/0125;  
A01K 1/0121; A47K 11/02; A47K 11/06;  
A47K 13/00; A47K 13/06; A47K 13/14  
See application file for complete search history.

(56) **References Cited**

U.S. PATENT DOCUMENTS

2,016,558	A *	10/1935	Redrup	.....	B65D 43/267 220/263
D215,056	S *	8/1969	Schwertley	.....	D30/109
5,419,452	A	5/1995	Mueller		
5,511,682	A	3/1996	Pace		
5,551,569	A	9/1996	Garvin-Mazzarisi		
5,639,164	A	7/1997	Ishino		
7,665,781	B2	2/2010	Drexler		
7,980,411	B2	7/2011	Kasbohm		
8,646,821	B2 *	2/2014	Holcomb	.....	A47J 43/288 294/180
8,820,566	B2	9/2014	Ude		
8,944,274	B2	2/2015	Madrid		
D775,464	S *	1/2017	Aller	.....	D3/304
D794,878	S *	8/2017	Hussey	.....	D30/160
9,738,443	B2	8/2017	Ballard		

(Continued)

OTHER PUBLICATIONS

Online Ad: Gladiator Dog Waste Station, <https://www.terraboutsolutions.com/product/gladiator-dog-waste-station/>, downloaded Dec. 13, 2018.

*Primary Examiner* — Sheryl Lane

*Assistant Examiner* — Aula Soroush

(74) *Attorney, Agent, or Firm* — Guy Cumberbatch

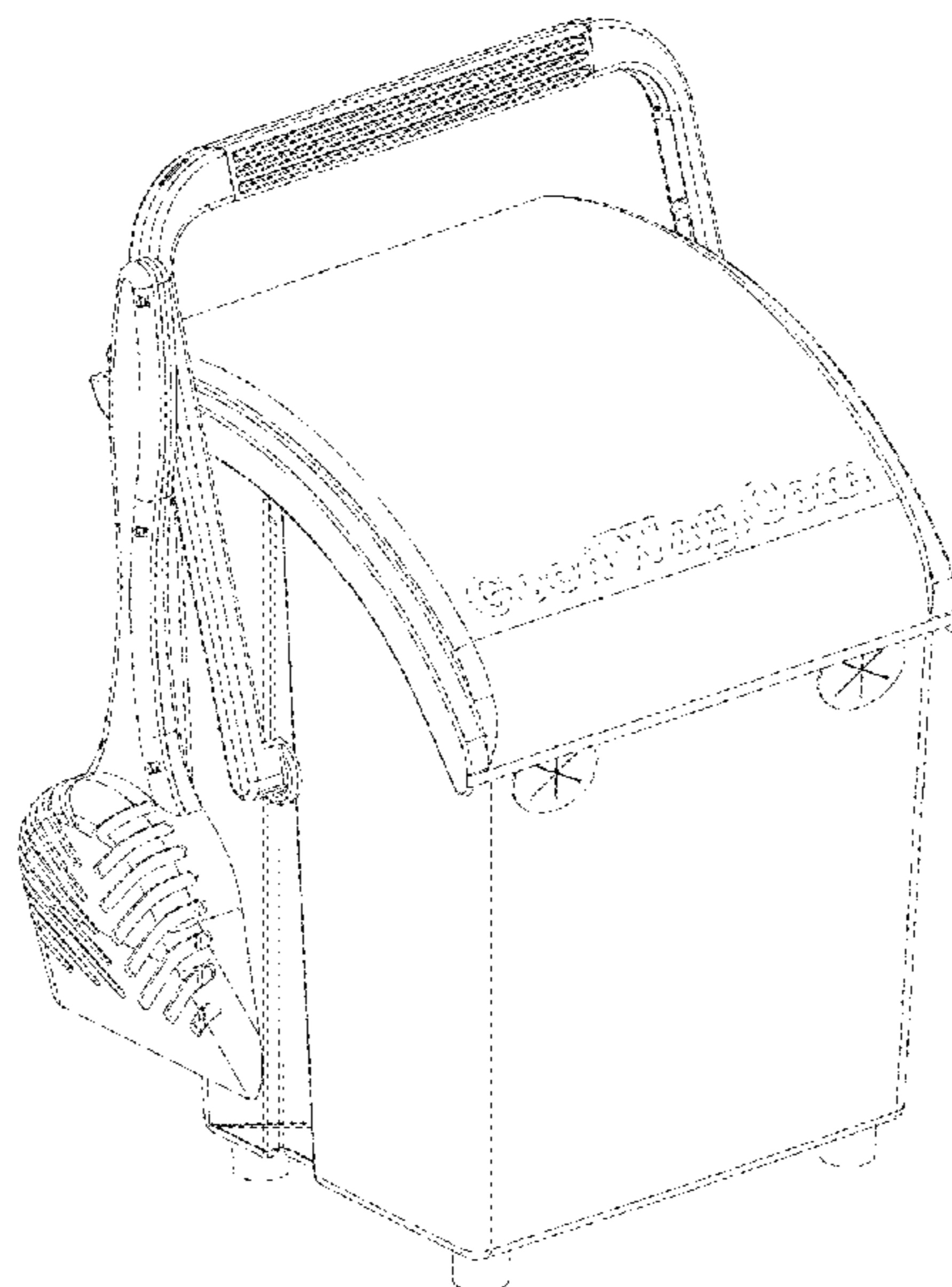
(57) **CLAIM**

I claim the ornamental design for a combination waste collection and storage apparatus, as shown and described.

**DESCRIPTION**

FIG. 1 is a front left perspective view of a waste collection and storage apparatus;  
FIG. 2 is a front right perspective view of the apparatus of FIG. 1;  
FIG. 3 is a rear left perspective view of the apparatus of FIG. 1; and  
FIG. 4 is a left side elevational view of the apparatus of FIG. 1;  
FIG. 5 is a front elevational view of the apparatus of FIG. 1;  
FIG. 6 is a right side elevational view of the apparatus of FIG. 1;  
FIG. 7 is a rear elevational view of the apparatus of FIG. 1;  
FIG. 8 is a top plan view of the apparatus of FIG. 1;  
FIG. 9 is a bottom plan view of the apparatus of FIG. 1;  
FIG. 10 is a front left perspective view of another embodiment of a waste collection and storage apparatus; and,  
FIG. 11 is a front right perspective view of the apparatus of FIG. 10.  
The broken lines show portions of the article which form no part of the claimed design.

**1 Claim, 11 Drawing Sheets**



(56)

**References Cited**

U.S. PATENT DOCUMENTS

9,745,127	B1	8/2017	Stravitz	
9,745,128	B2	8/2017	Romano	
9,771,215	B2	9/2017	Rogers	
9,802,755	B2	10/2017	Chakravarthy	
9,834,376	B1	12/2017	Stravitz	
9,994,393	B2	1/2018	Dunn	
D815,781	S *	4/2018	Harrington	..... D30/161
9,938,045	B2	4/2018	Morand	
9,944,460	B2	4/2018	Hon	
9,988,210	B2	6/2018	Buck	
10,006,180	B2	6/2018	Weber	
10,022,467	B2	7/2018	Chang	
10,053,283	B1	8/2018	Stravitz	
10,059,514	B2	8/2018	Bowen	
10,086,996	B2	10/2018	Dunn	
10,121,354	B2	11/2018	Starkey	
D870,988	S *	12/2019	Teper	..... D30/161
2011/0254296	A1 *	10/2011	Chavez	..... E01H 1/1206 294/1.3

\* cited by examiner

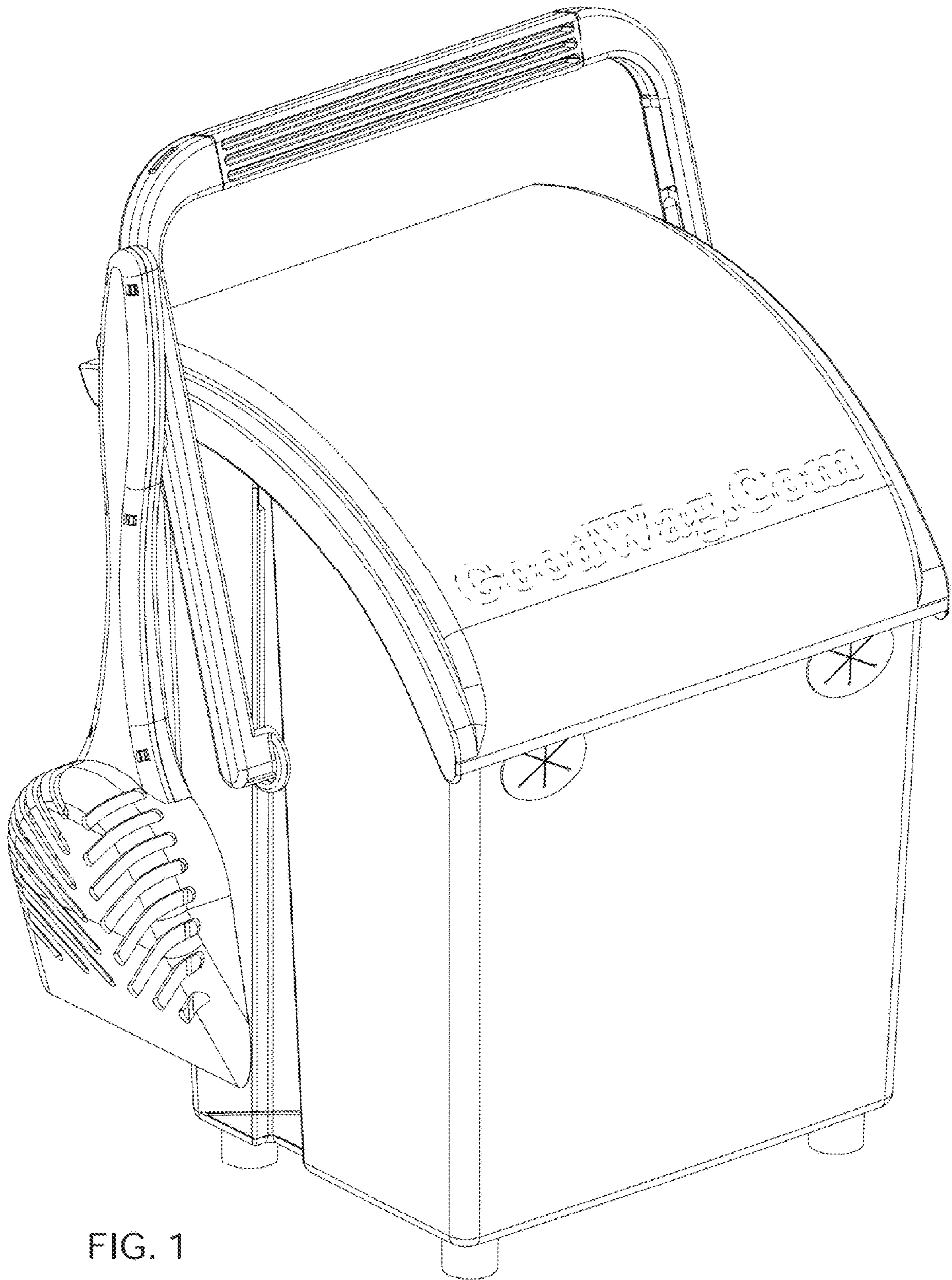


FIG. 1

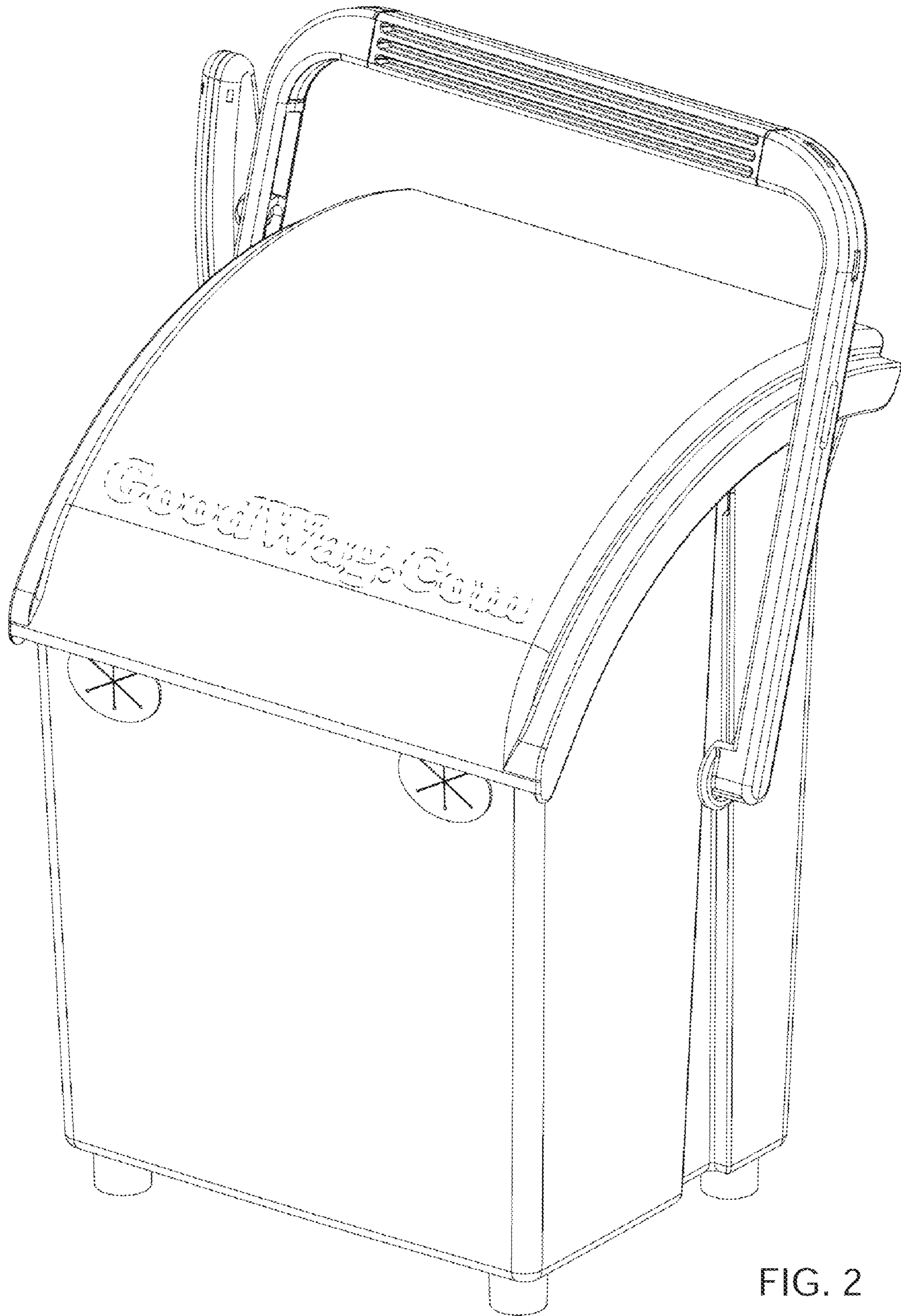


FIG. 2

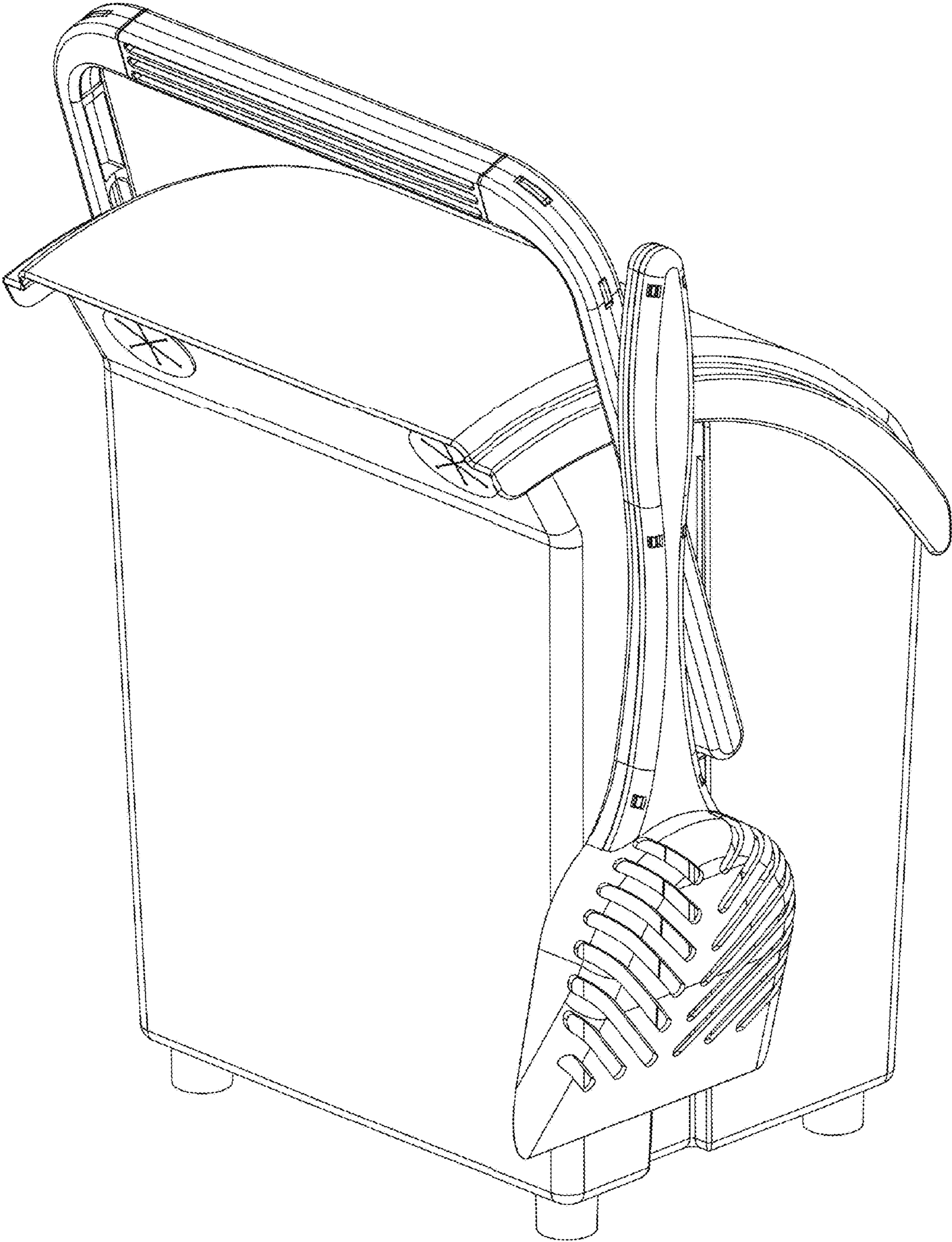


FIG. 3

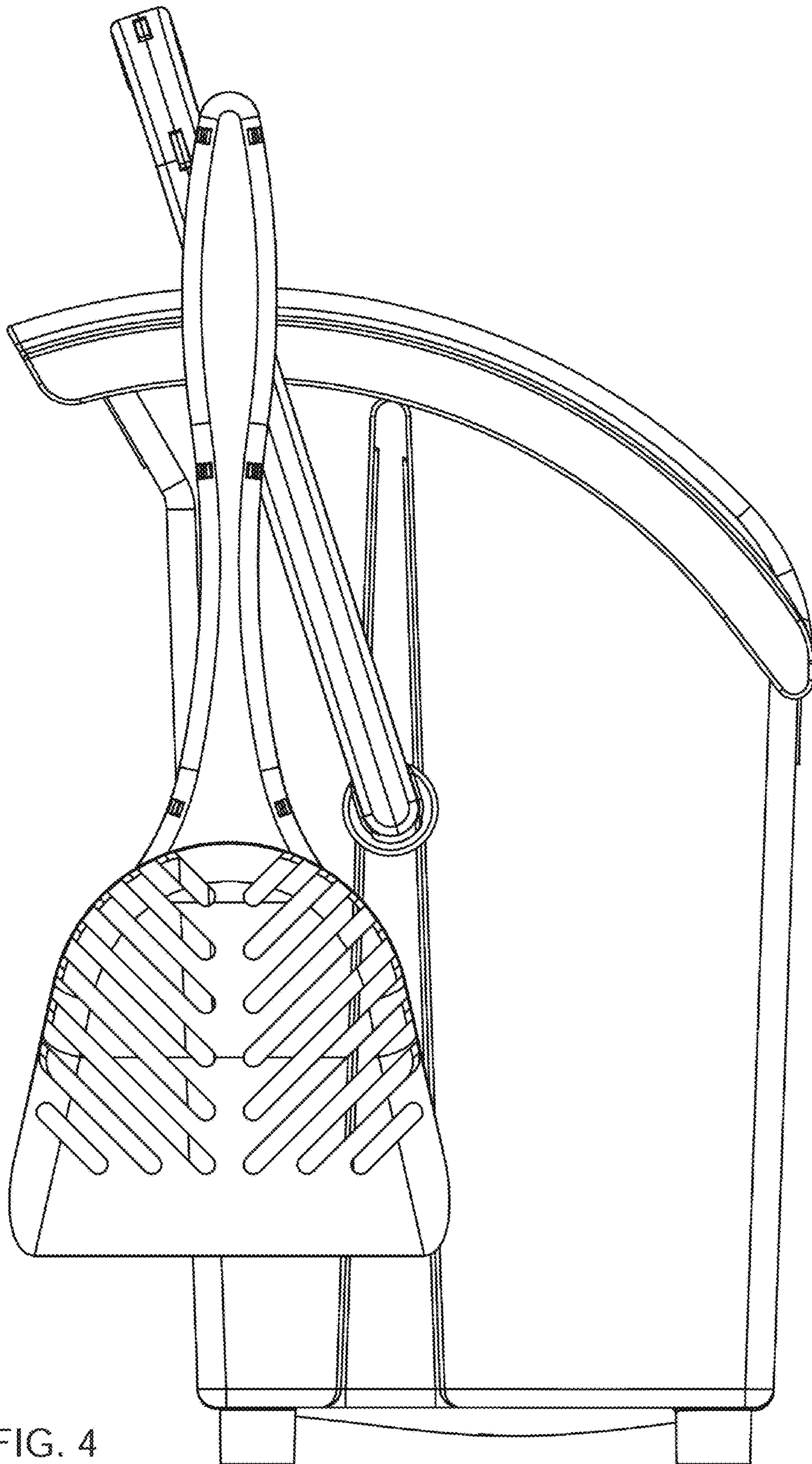


FIG. 4

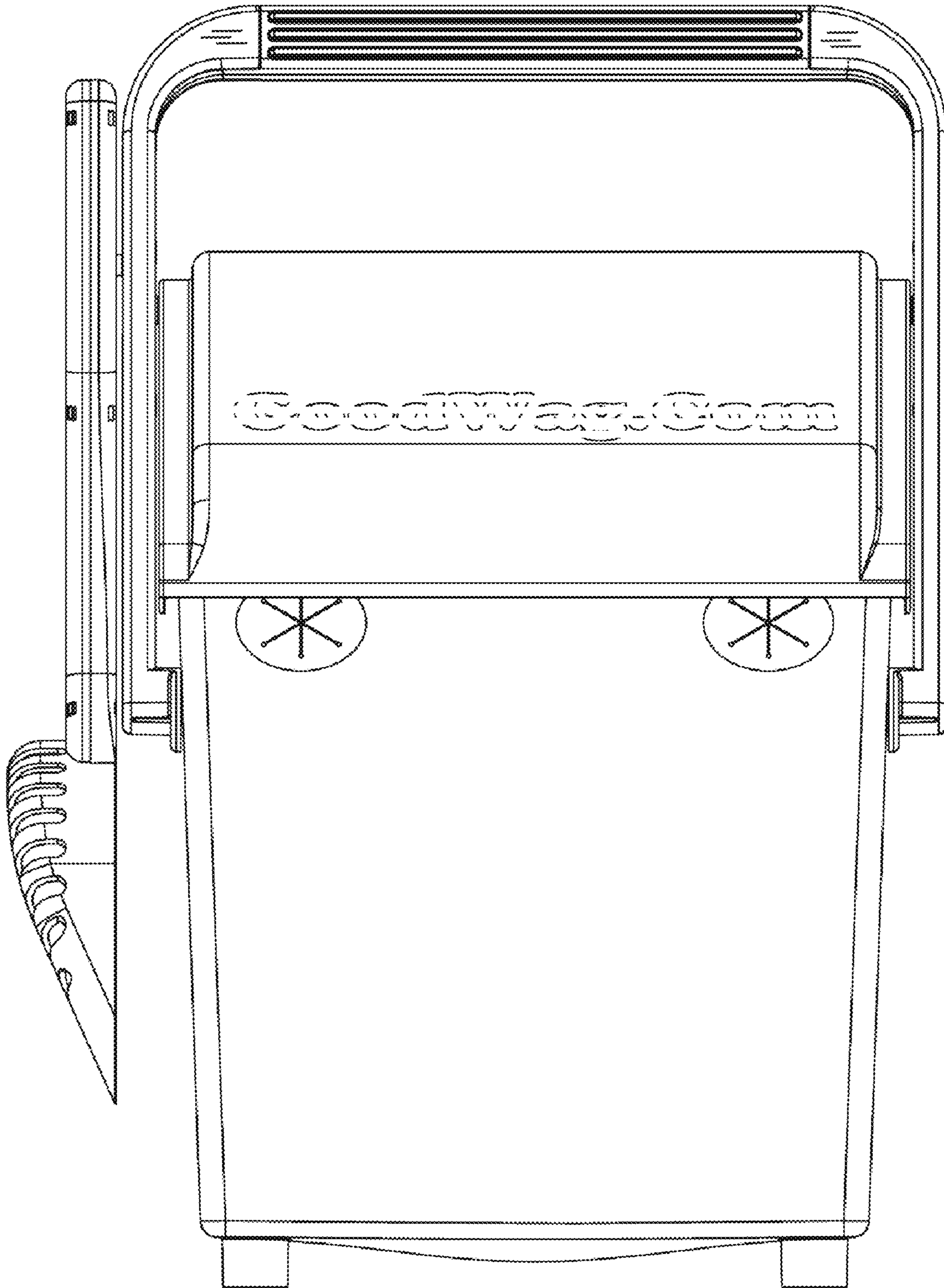


FIG. 5

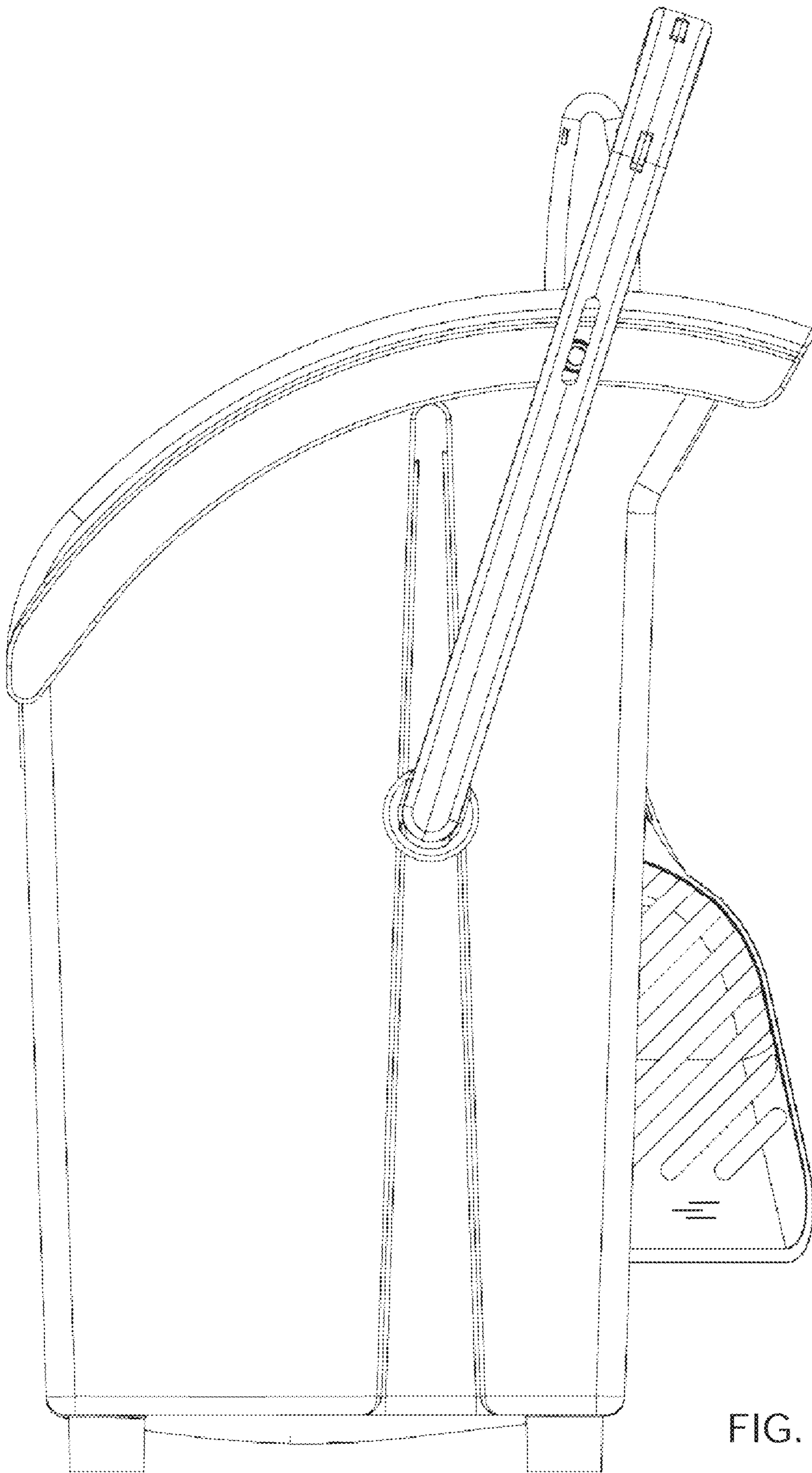


FIG. 6



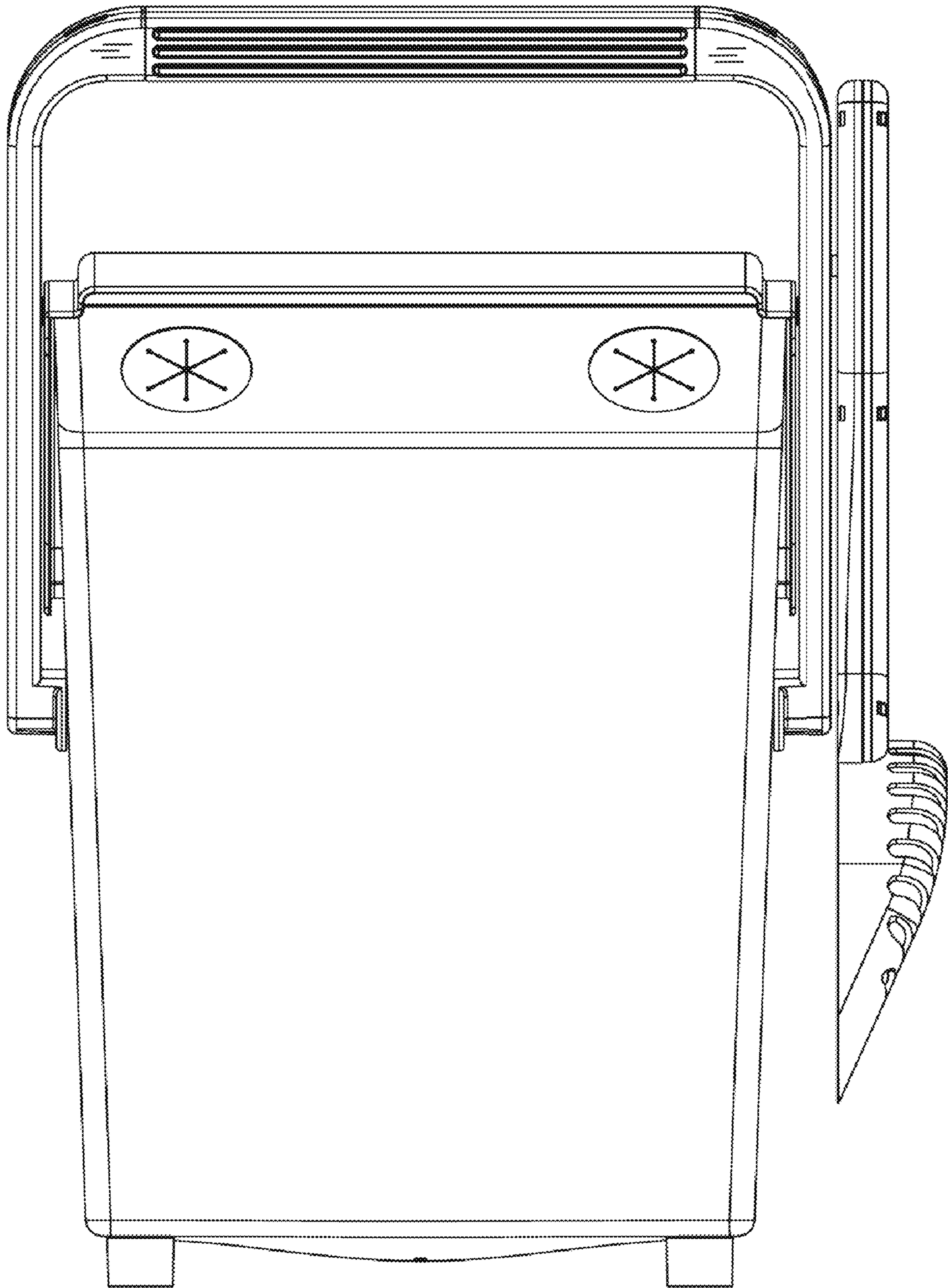


FIG. 7

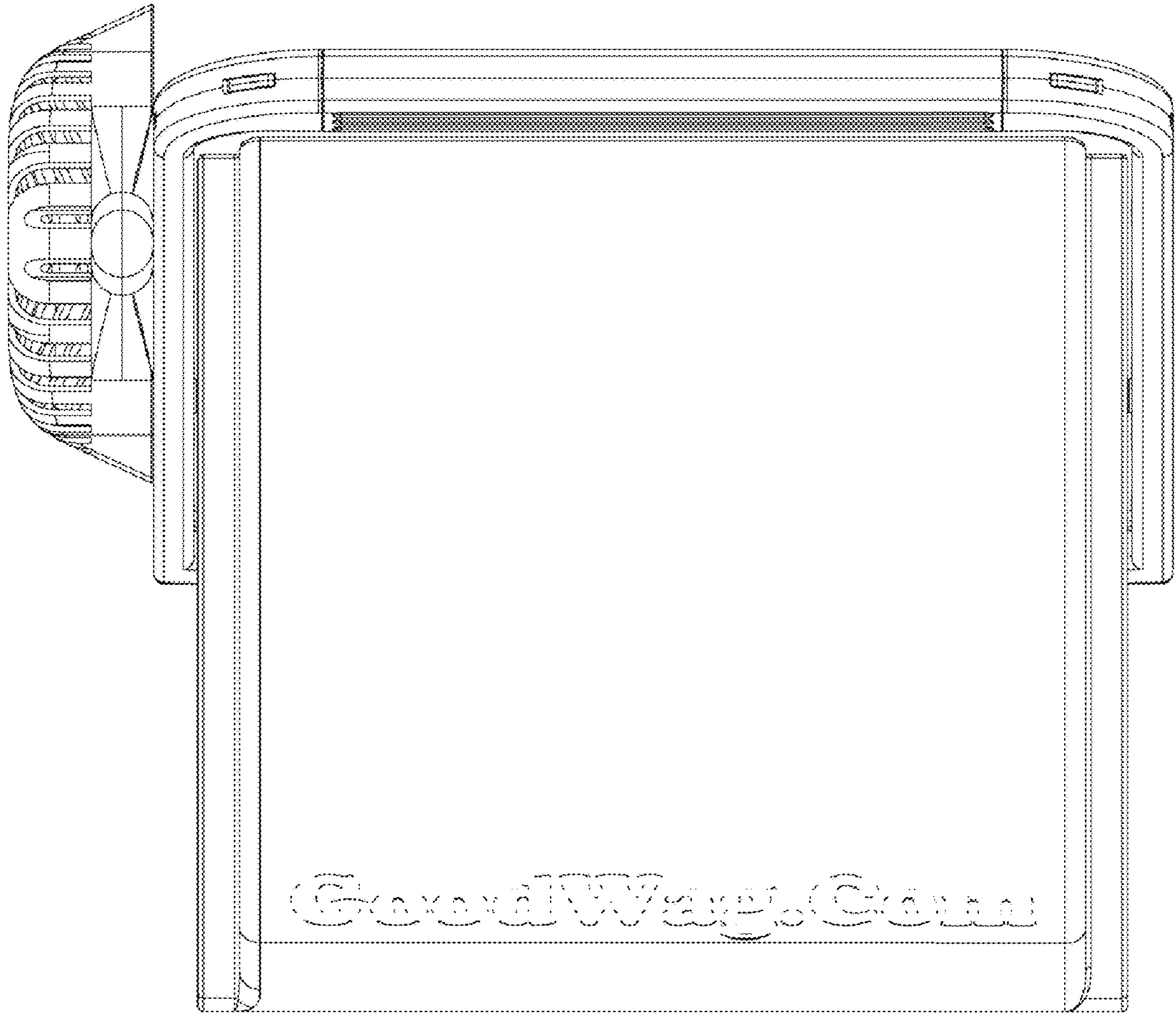


FIG. 8

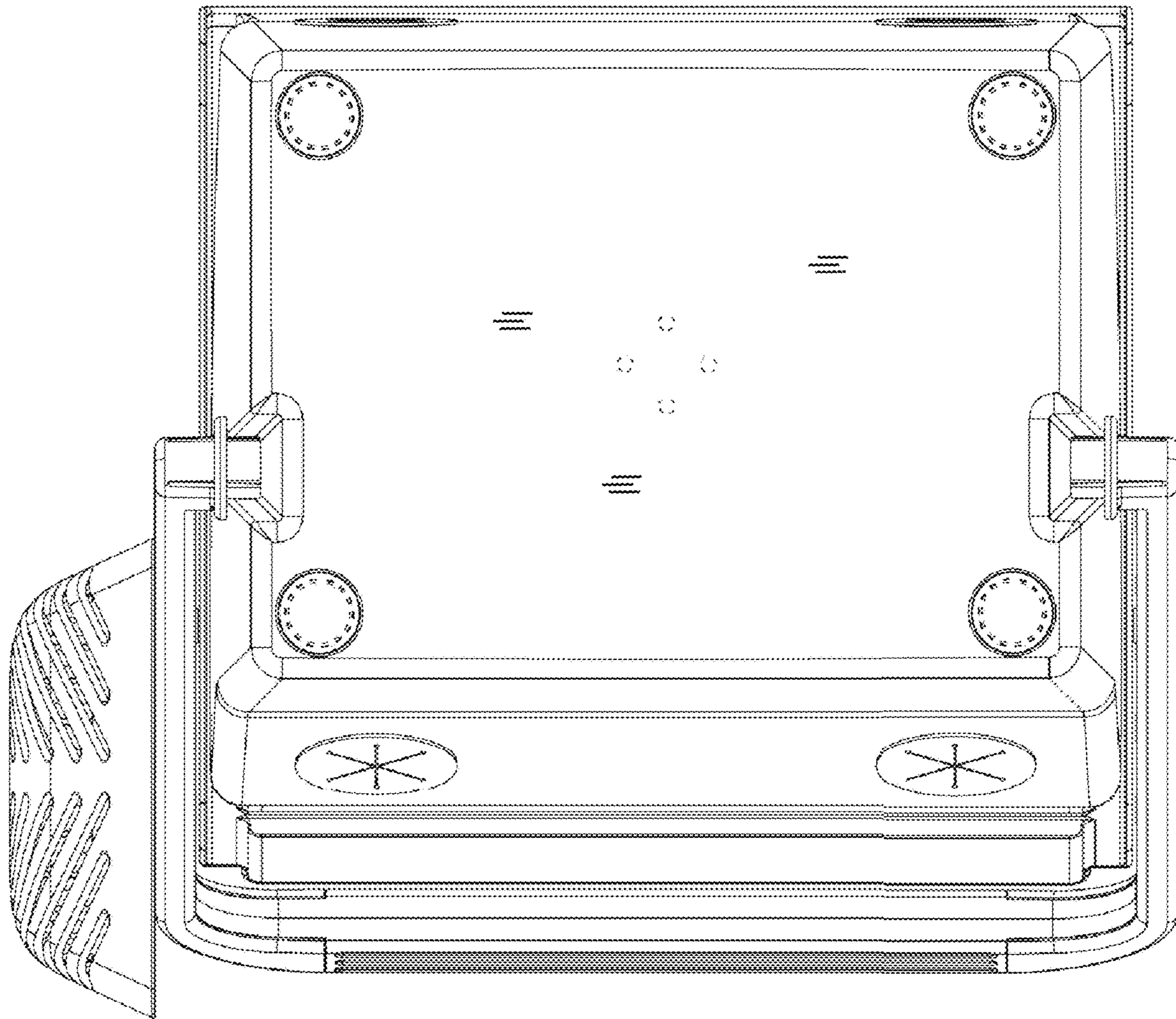


FIG. 9

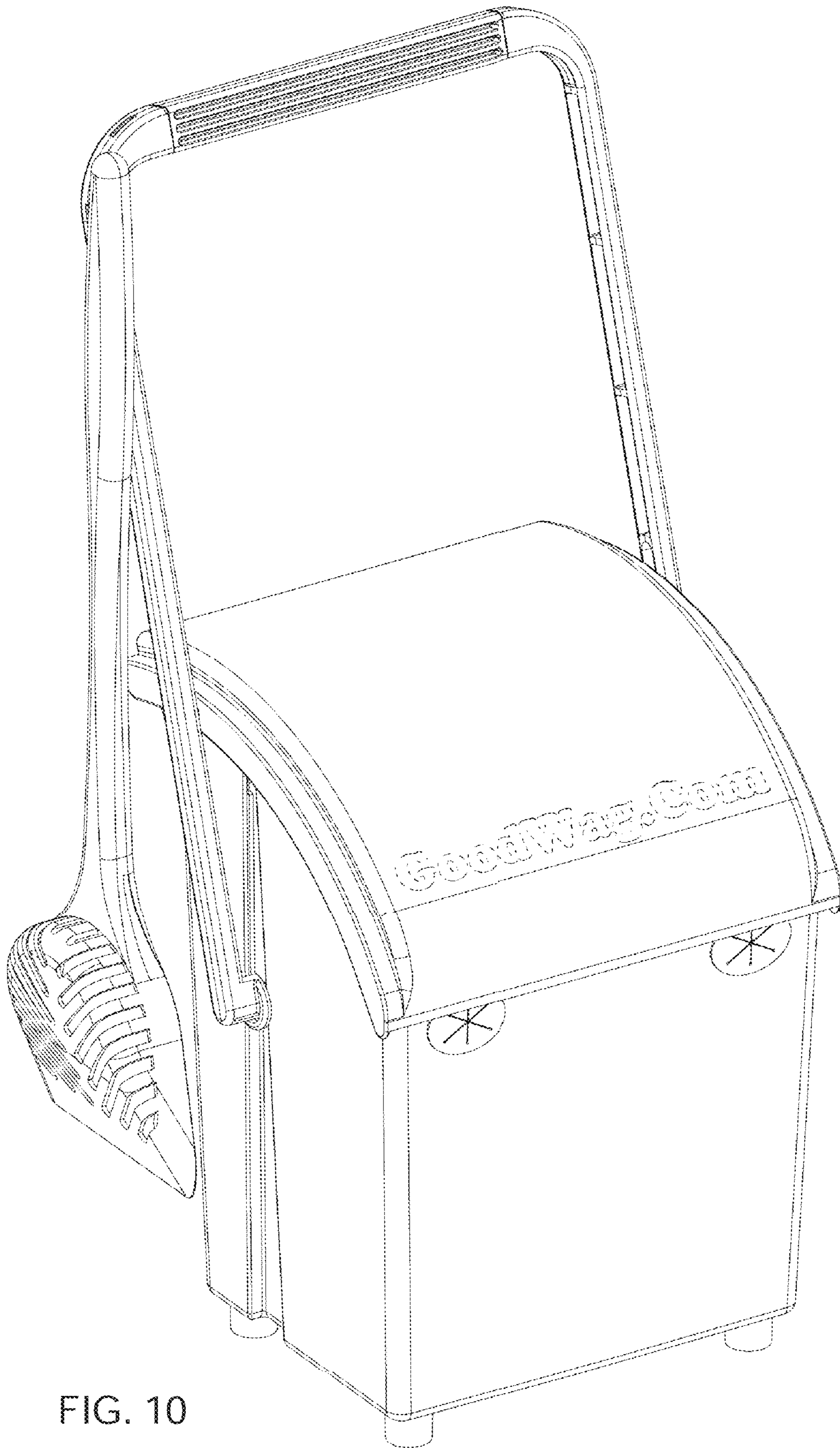


FIG. 10

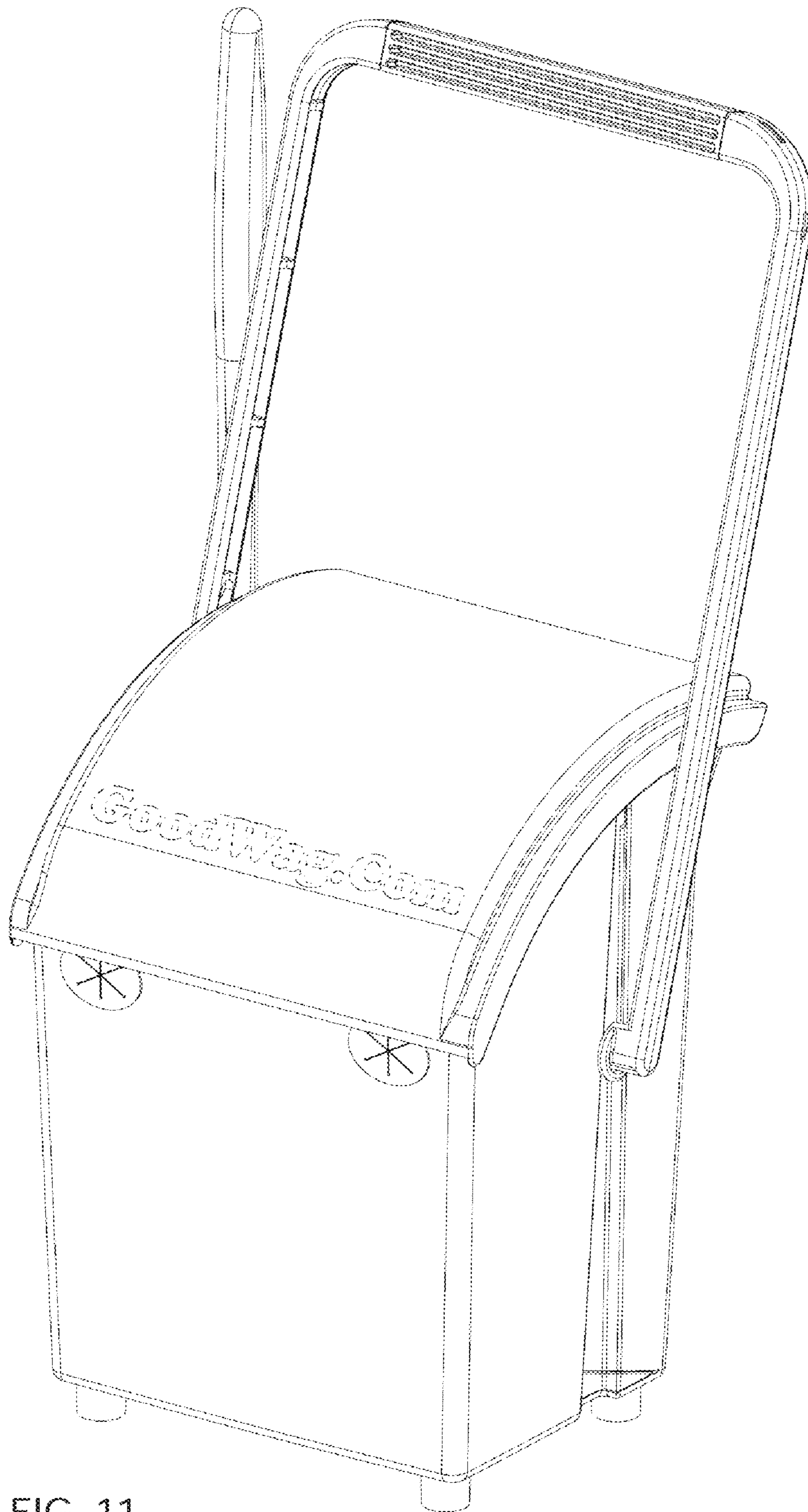


FIG. 11