



US00D925135S

(12) **United States Design Patent**
Kohl

(10) **Patent No.:** **US D925,135 S**
(45) **Date of Patent:** **** Jul. 13, 2021**

- (54) **GROOMING TOOL**
- (71) Applicant: **AARONCO PET PRODUCTS, INC.,**
Somers, NY (US)
- (72) Inventor: **Samuel Kohl,** Somers, NY (US)
- (73) Assignee: **Aaronco Pet Products, Inc.,** Somers,
NY (US)
- (**) Term: **15 Years**
- (21) Appl. No.: **29/752,152**
- (22) Filed: **Sep. 25, 2020**

D263,259 S *	3/1982	Getter	D30/158
D266,112 S *	9/1982	Culp	119/625
D610,756 S *	2/2010	Lin	D30/159
D626,297 S *	10/2010	Porter	D30/159
D787,756 S *	5/2017	Porter	D30/159
D880,658 S	4/2020	Hicks et al.	
D901,100 S *	11/2020	Kohl	D30/159
2012/0111282 A1 *	5/2012	Dennis	A01K 13/002 119/601
2014/0261227 A1 *	9/2014	Sullivan	A01K 13/002 119/625
2015/0359192 A1 *	12/2015	Fanelli	A01K 13/002 119/604

(Continued)

Related U.S. Application Data

- (62) Division of application No. 29/678,274, filed on Jan. 28, 2019, now Pat. No. Des. 901,100.
- (51) **LOC (13) Cl.** **30-99**
- (52) **U.S. Cl.**
USPC **D30/159**
- (58) **Field of Classification Search**
USPC D30/158, 159; D8/1, 6, 11, 13, 300, 307,
D8/321; D28/10, 12, 13, 21, 31, 44, 45,
D28/48, 56, 57, 59, 60, 74, 99;
D4/116-123, 127-128, 130-138, 199;
119/600-620, 623-633
CPC A01K 13/00; A01K 13/002; A01K 13/001;
A45D 24/04; A45D 24/10; A45D 24/16;
A45D 24/00; A45D 24/02; A45D 24/30;
A61D 11/00
See application file for complete search history.

(56) **References Cited**

U.S. PATENT DOCUMENTS

D22,537 S *	6/1893	Kholer	D30/159
D169,470 S *	5/1953	Bimrose	D28/26
2,943,602 A *	7/1960	Rundle	A01K 13/003 119/650
D218,445 S *	8/1970	Loworn	D30/159

OTHER PUBLICATIONS

Grooming Tools Aaronco Best Buy Design available Apr. 16, 2020, [online], [site visited Apr. 16, 2020]. Retrieved from Internet, URL: <http://aaroncopet.com/tools/#rake> (Year: 2020).

(Continued)

Primary Examiner — W. A. Teddy Falloway
Assistant Examiner — Katrina N Gonzalez
(74) *Attorney, Agent, or Firm* — Dilworth & Barrese, LLP

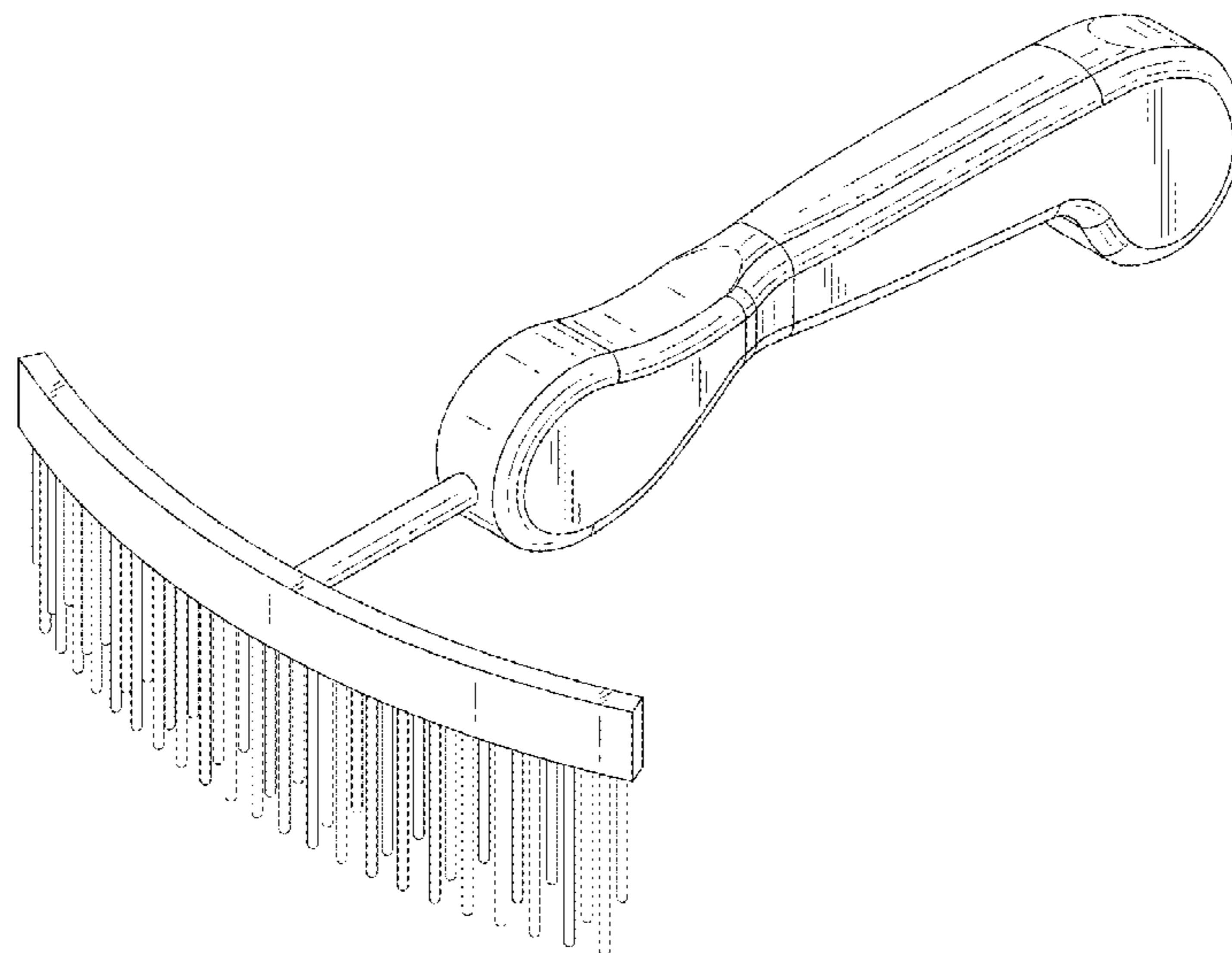
(57) **CLAIM**

The ornamental design for a grooming tool, as shown and described.

DESCRIPTION

FIG. 1 is a right front perspective view of a grooming tool showing my new design;
FIG. 2 is a right rear perspective view thereof;
FIG. 3 is a front elevation view thereof;
FIG. 4 is a rear elevation view thereof;
FIG. 5 is a right side elevation view thereof, the left side view being a mirror image thereof;
FIG. 6 is a top plan view thereof; and,
FIG. 7 is a bottom plan view thereof.

1 Claim, 3 Drawing Sheets



(56)

References Cited

U.S. PATENT DOCUMENTS

2018/0092332 A1* 4/2018 Harris A01K 13/002

OTHER PUBLICATIONS

“Groomer’s Mall—Facebook” available Apr. 17, 2019, [online], [site visited Apr. 16, 2020]. Retrieved from Internet, URL: <http://www.facebook.com/GroomersMall/posts/all-new-grooming-tools-from-sam-kohl-and-aaronco-rakes-superior-and-wood-handle-/26807215419444026/>(Year:2019).

* cited by examiner

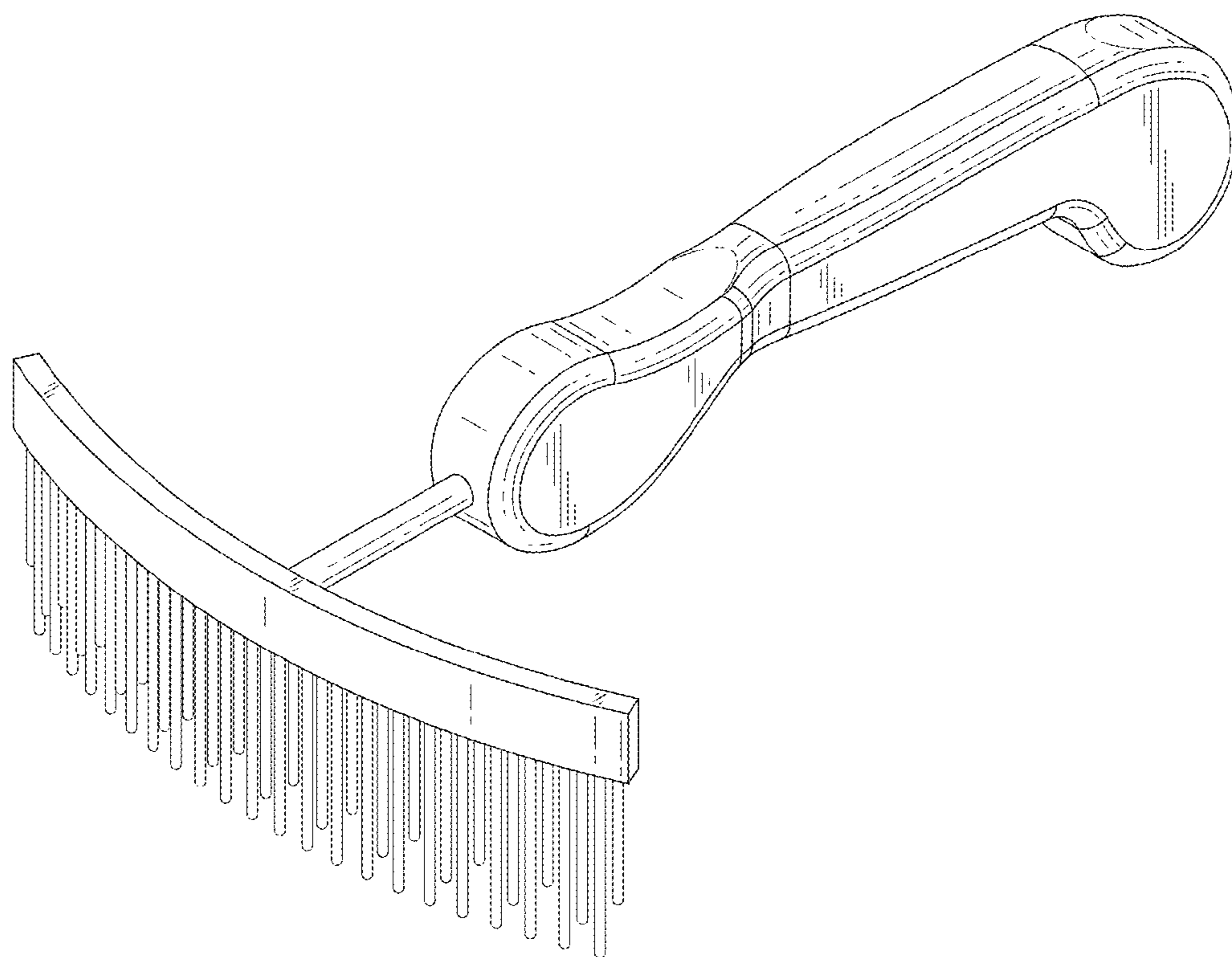


FIG. 1

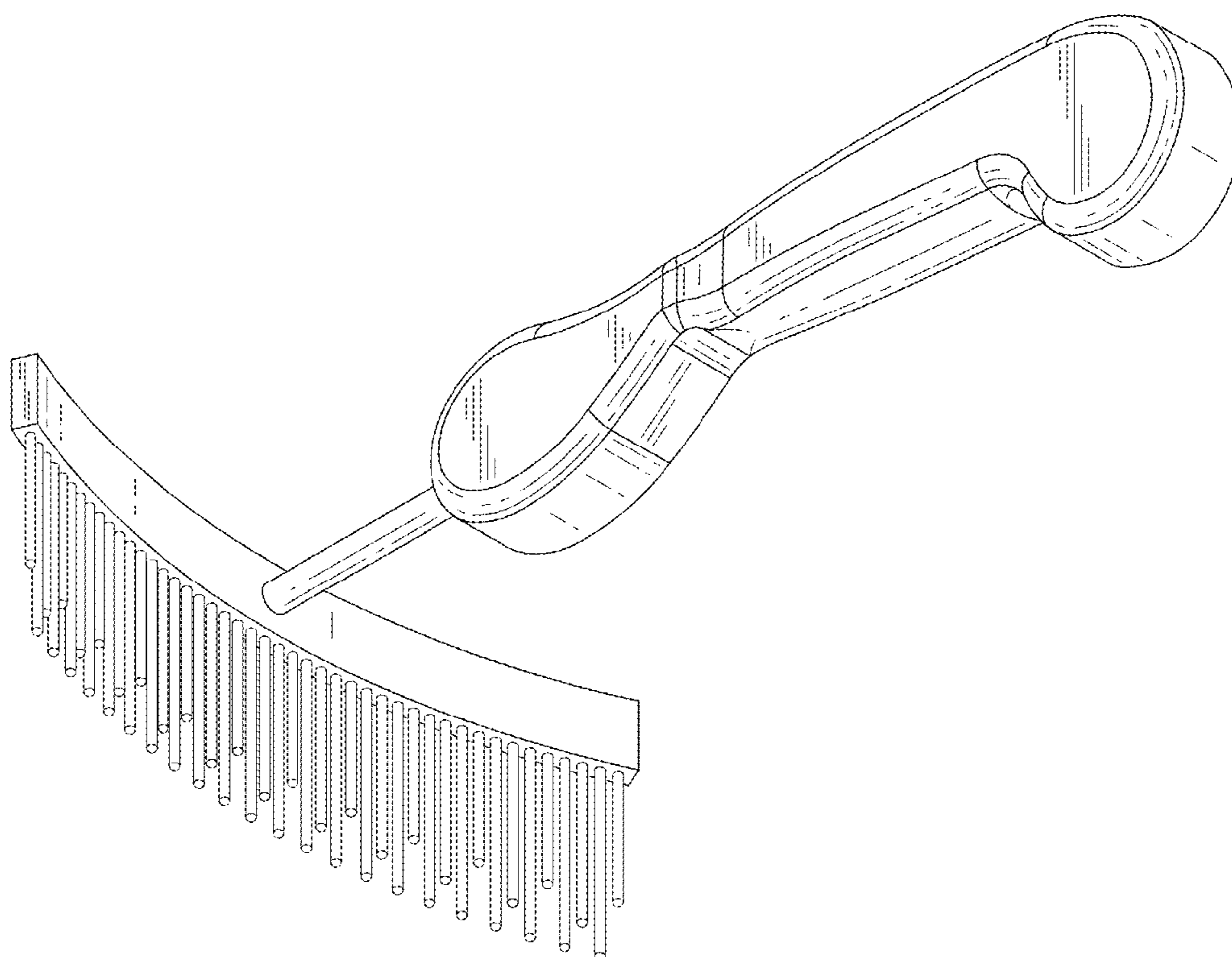


FIG. 2

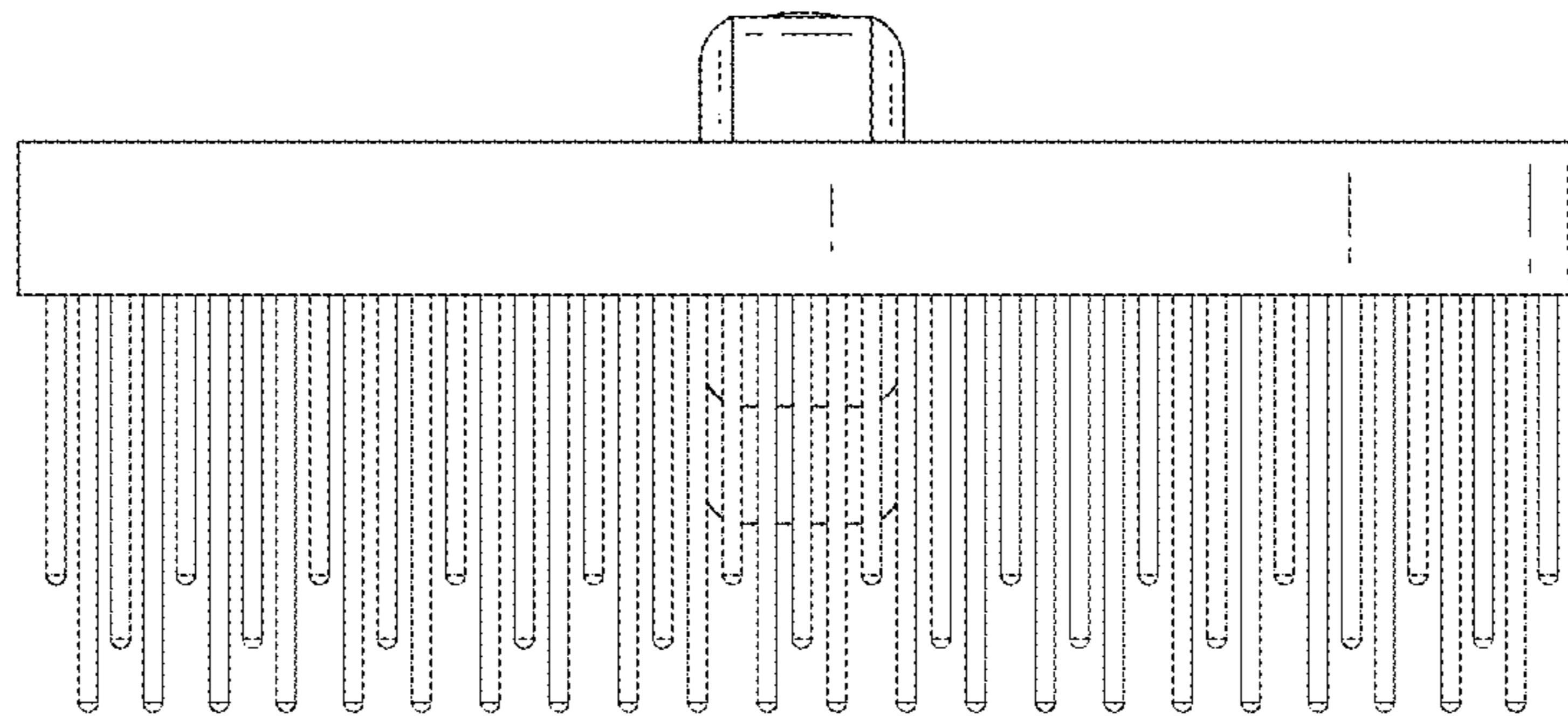


FIG. 3

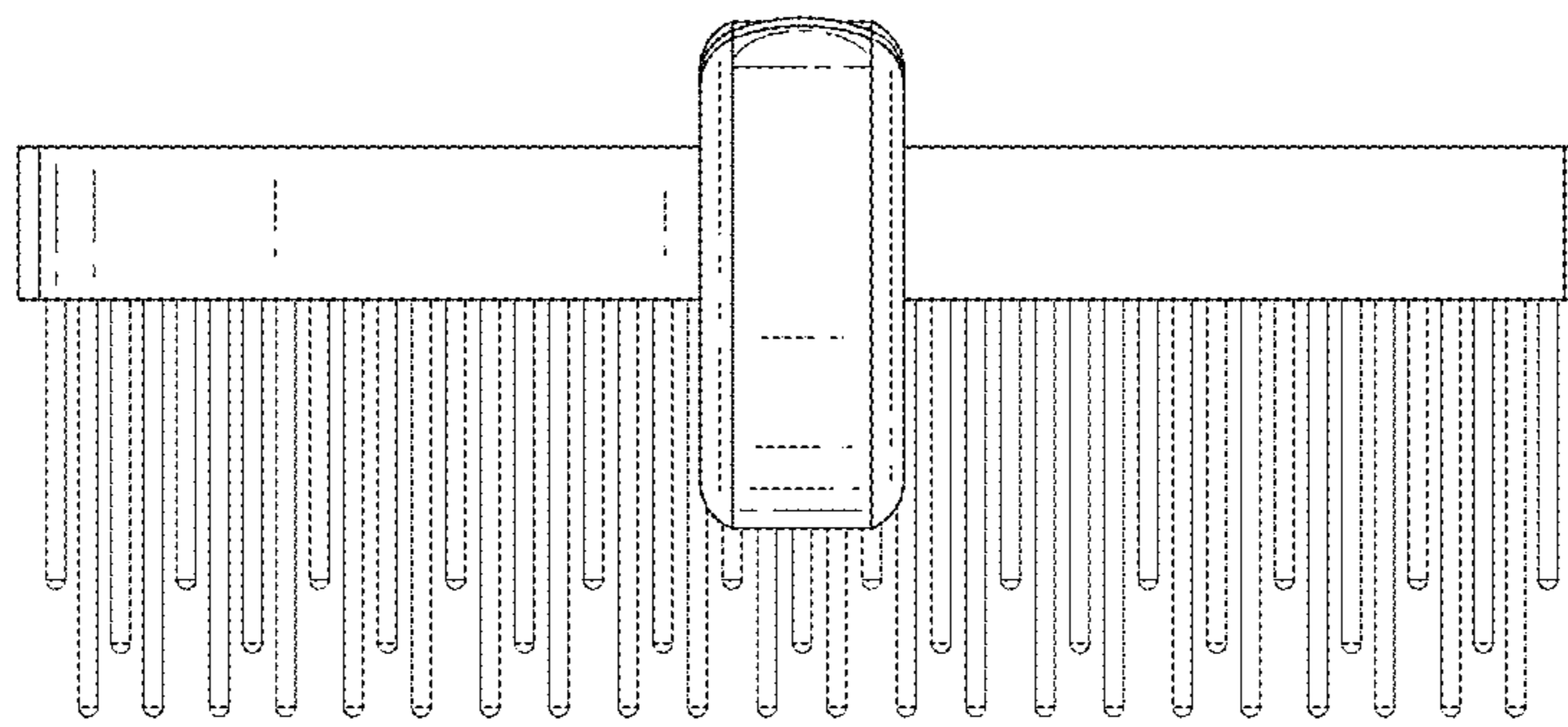


FIG. 4

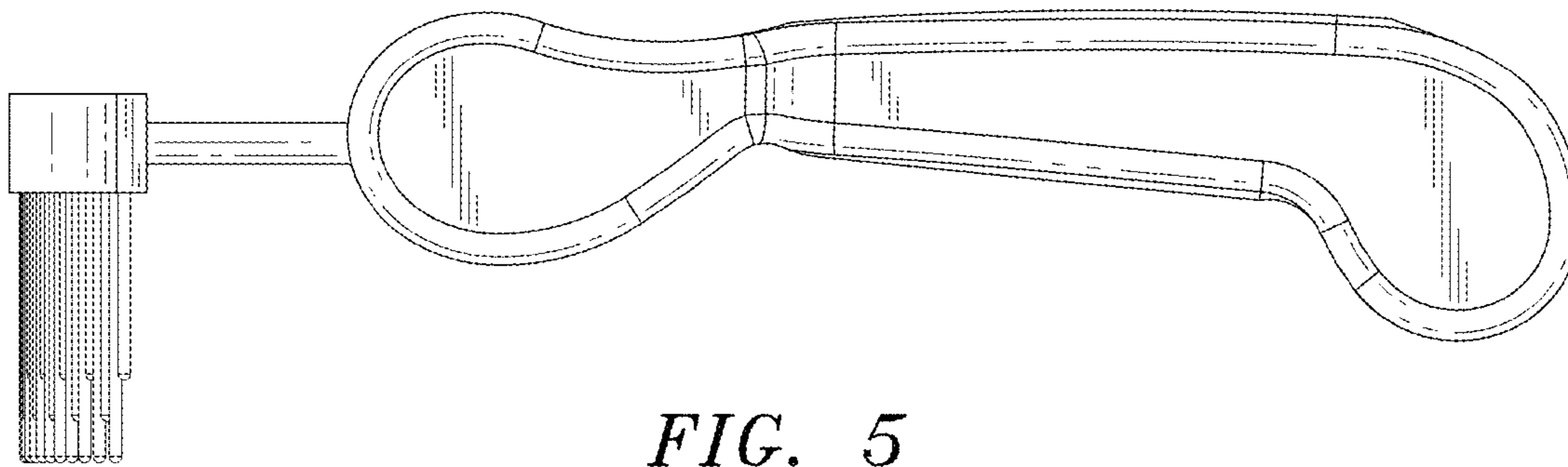


FIG. 5

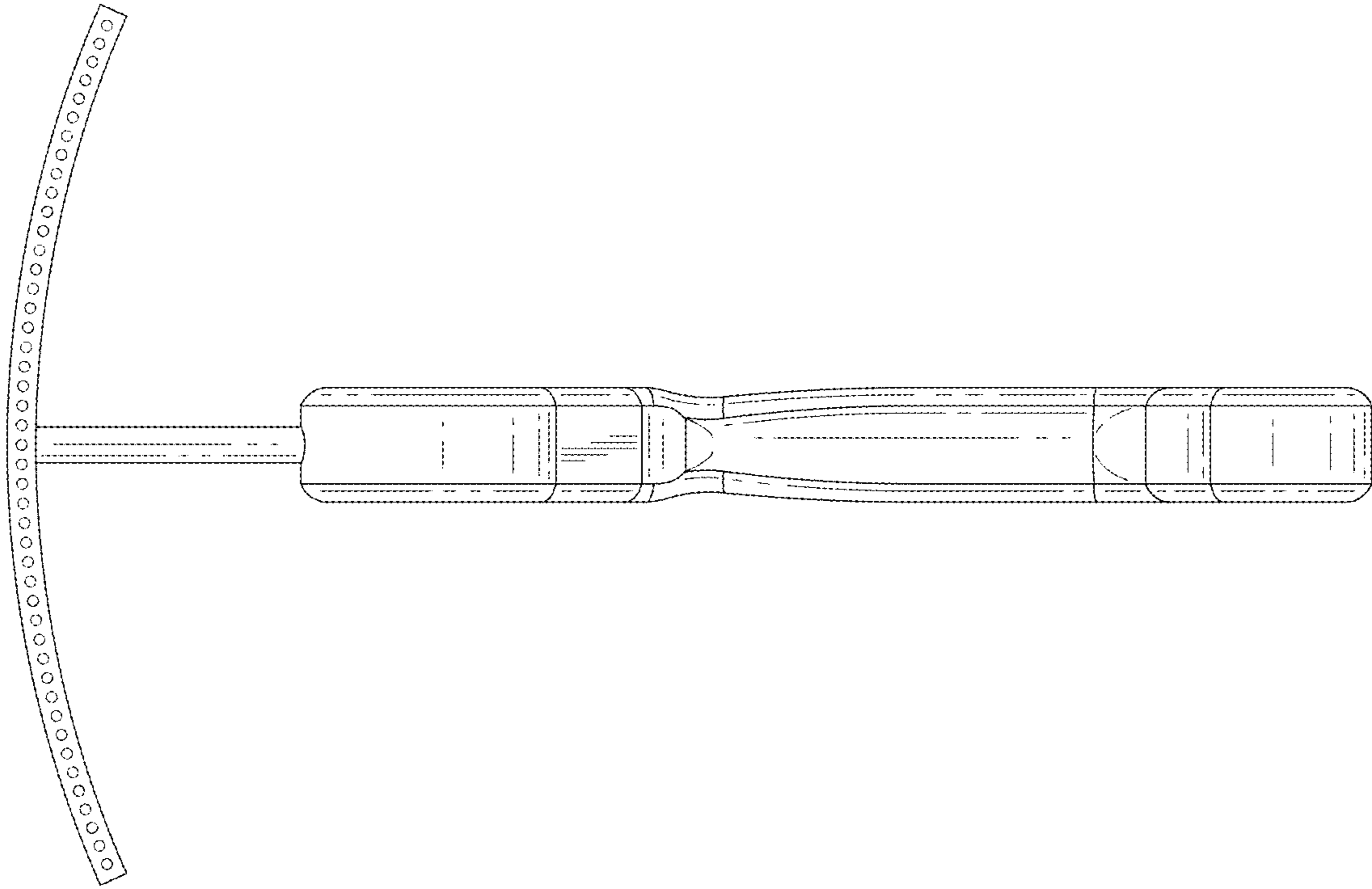


FIG. 7

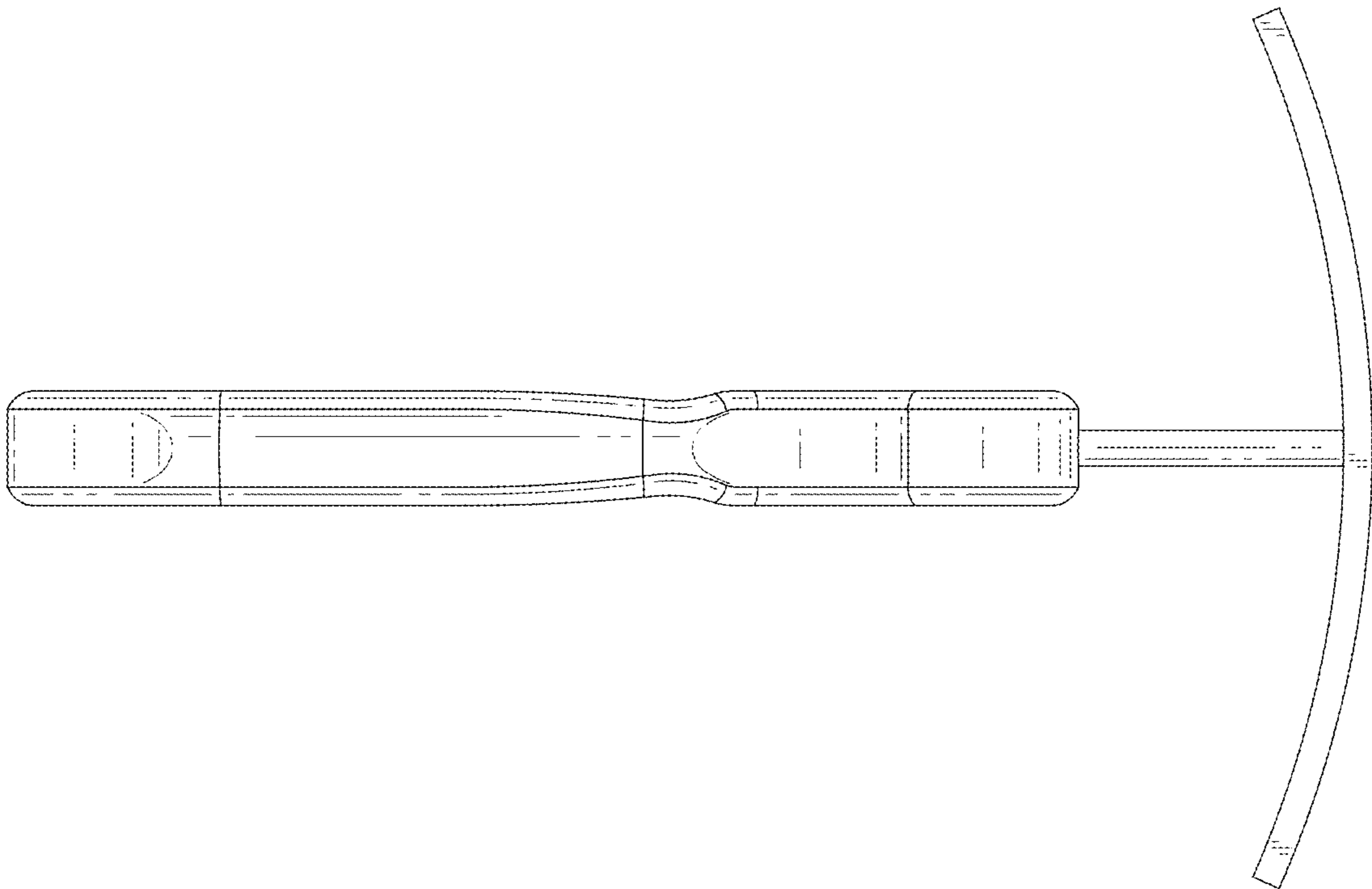


FIG. 6