



US00D925133S

(12) **United States Design Patent** (10) **Patent No.:** **US D925,133 S**
Yoo (45) **Date of Patent:** **** Jul. 13, 2021**

(54) **PET FOOD BOWL**
(71) Applicant: **PURPLE NEST CO., LTD.**, Seoul (KR)
(72) Inventor: **Ji Soo Yoo**, Seoul (KR)
(73) Assignee: **PURPLE NEST CO., LTD.**, Seoul (KR)
(**) Term: **15 Years**
(21) Appl. No.: **29/715,555**
(22) Filed: **Dec. 3, 2019**

(30) **Foreign Application Priority Data**
Jul. 4, 2019 (KR) 30-2019-0031992
(51) **LOC (13) Cl.** **30-03**
(52) **U.S. Cl.**
USPC **D30/129**
(58) **Field of Classification Search**
USPC D30/121, 122, 130-133, 199; 119/51.01, 119/51.5, 61.5, 61.52, 61.53, 61.54, 119/61.55, 72, 73
CPC . A01K 5/00; A01K 7/00; A01K 39/02; A01K 39/04; A01K 39/0213
See application file for complete search history.

(56) **References Cited**
U.S. PATENT DOCUMENTS
D505,523 S * 5/2005 Rahman D30/133
D647,667 S * 10/2011 Siklosi D30/133
D682,485 S * 5/2013 Wygle D30/133

D710,550 S * 8/2014 Elliott D30/133
9,226,478 B1 * 1/2016 Uhl A01K 7/00
D813,469 S * 3/2018 Conley D30/133
10,321,662 B2 * 6/2019 Conley A01K 5/0135
D854,759 S * 7/2019 Elliott D30/133
2017/0105386 A1 * 4/2017 Wu A01K 5/0114

OTHER PUBLICATIONS

“Nest Bowl Ceramic Cat Food Bowl” available Mar. 31, 2020, [online], [site visited Oct. 20, 2020]. Retrieved from Internet, URL:https://www.amazon.com/Ceramic-Raised-Elevated-Tilted-Stress/dp/B084PBSSPM?th=1 (Year: 2020).*

* cited by examiner

Primary Examiner — Michael C Stout
Assistant Examiner — Katrina N Gonzalez
(74) *Attorney, Agent, or Firm* — Dinsmore & Shohl LLP; Yongsok Choi, Esq.

(57) **CLAIM**
The ornamental design for a pet food bowl, as shown and described.

DESCRIPTION

FIG. 1 is a perspective view of a pet food bowl illustrating my new design;
FIG. 2 is a front view thereof;
FIG. 3 is a rear view thereof;
FIG. 4 is a left side view thereof;
FIG. 5 is a right side view thereof;
FIG. 6 is a top plan view thereof; and,
FIG. 7 is a bottom view thereof.

1 Claim, 4 Drawing Sheets

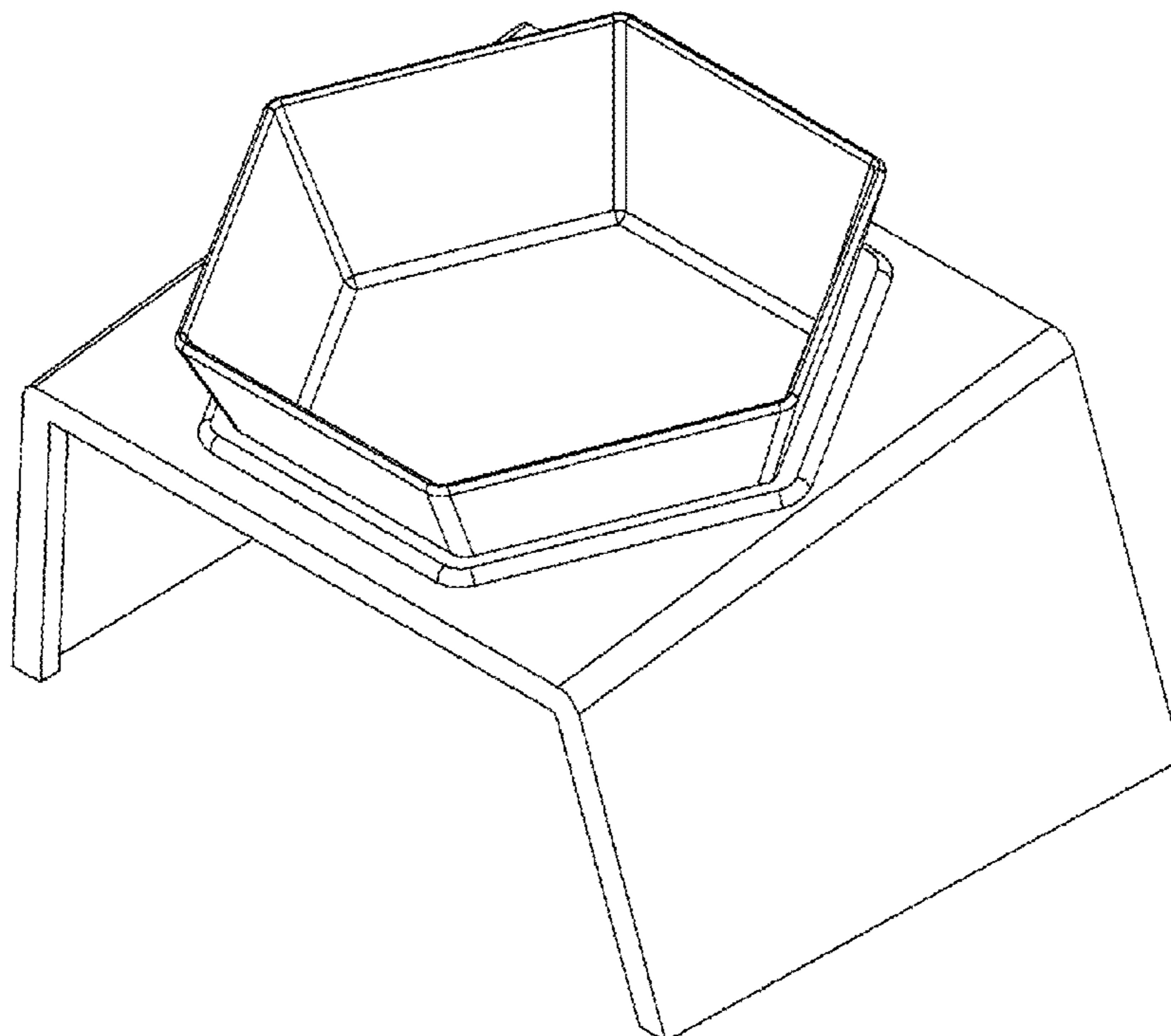


FIG. 1

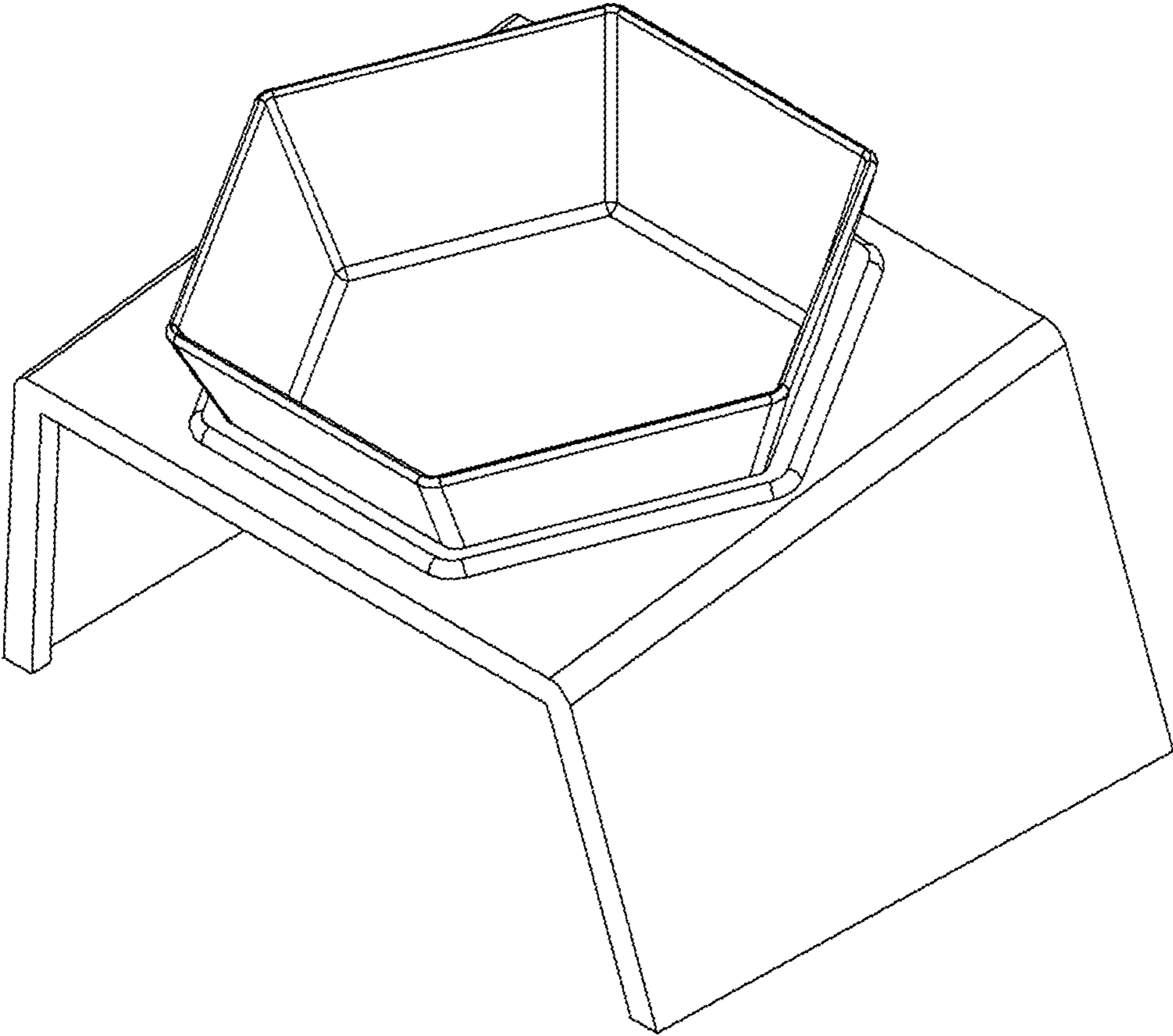


FIG. 2

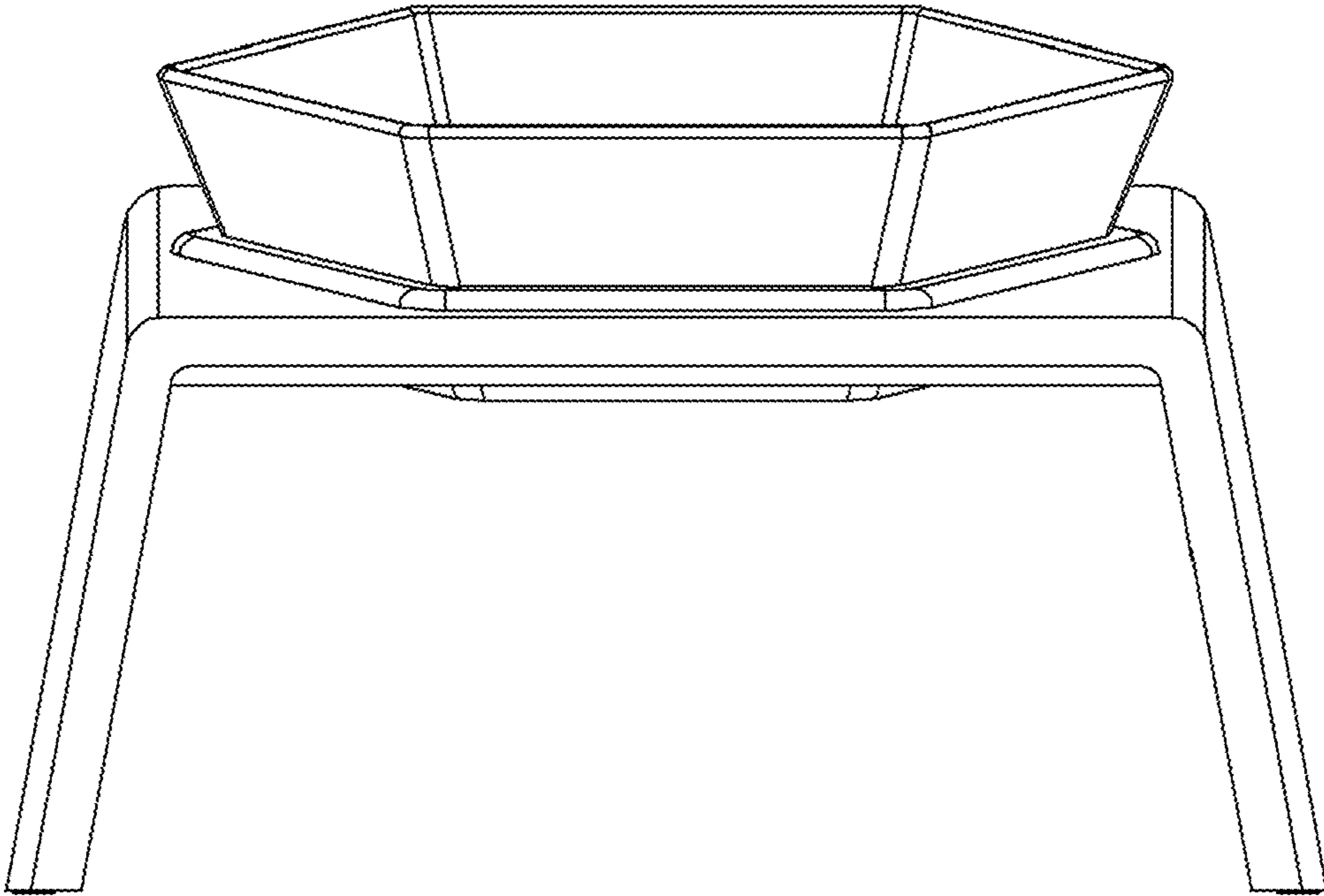


FIG. 3

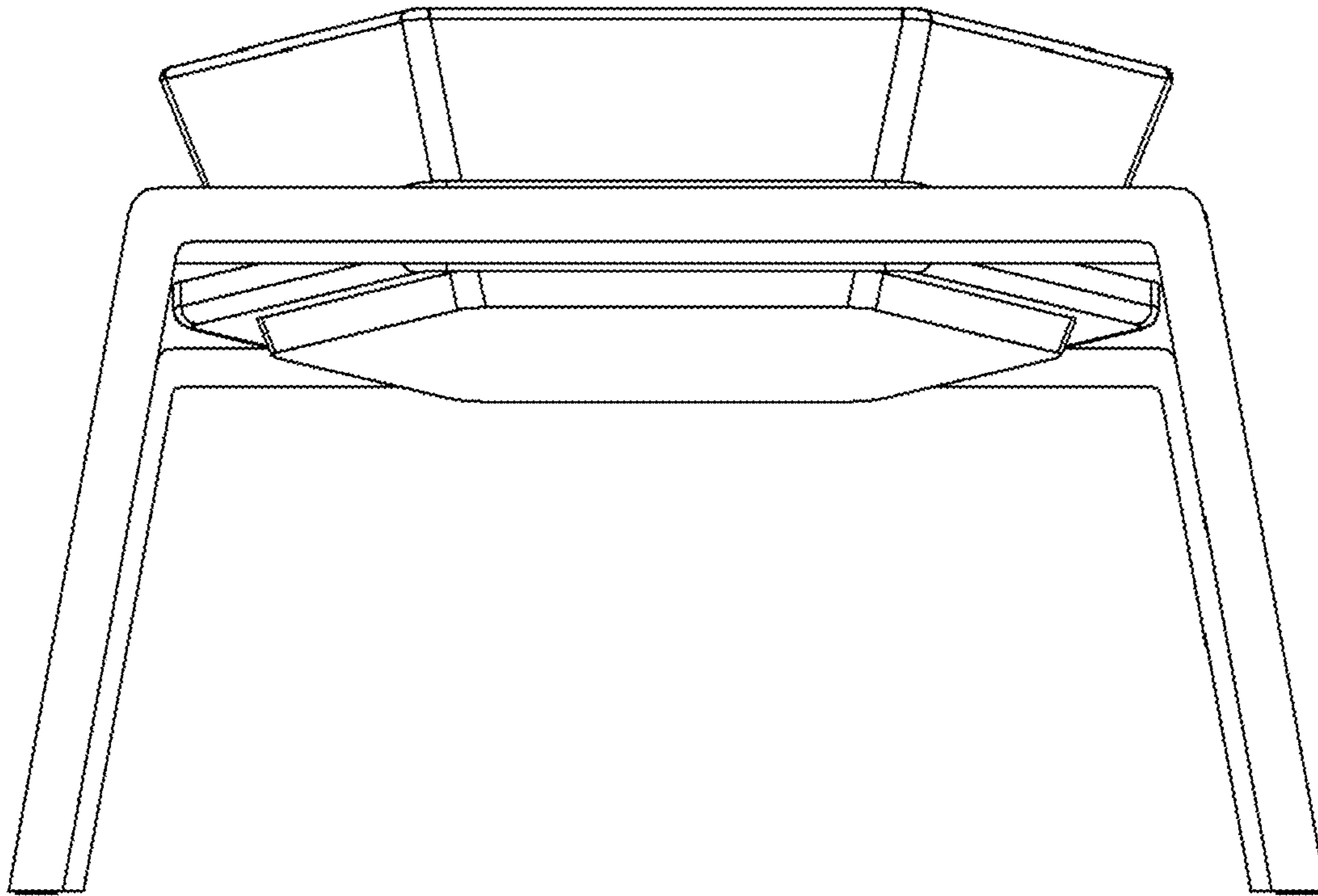


FIG. 4

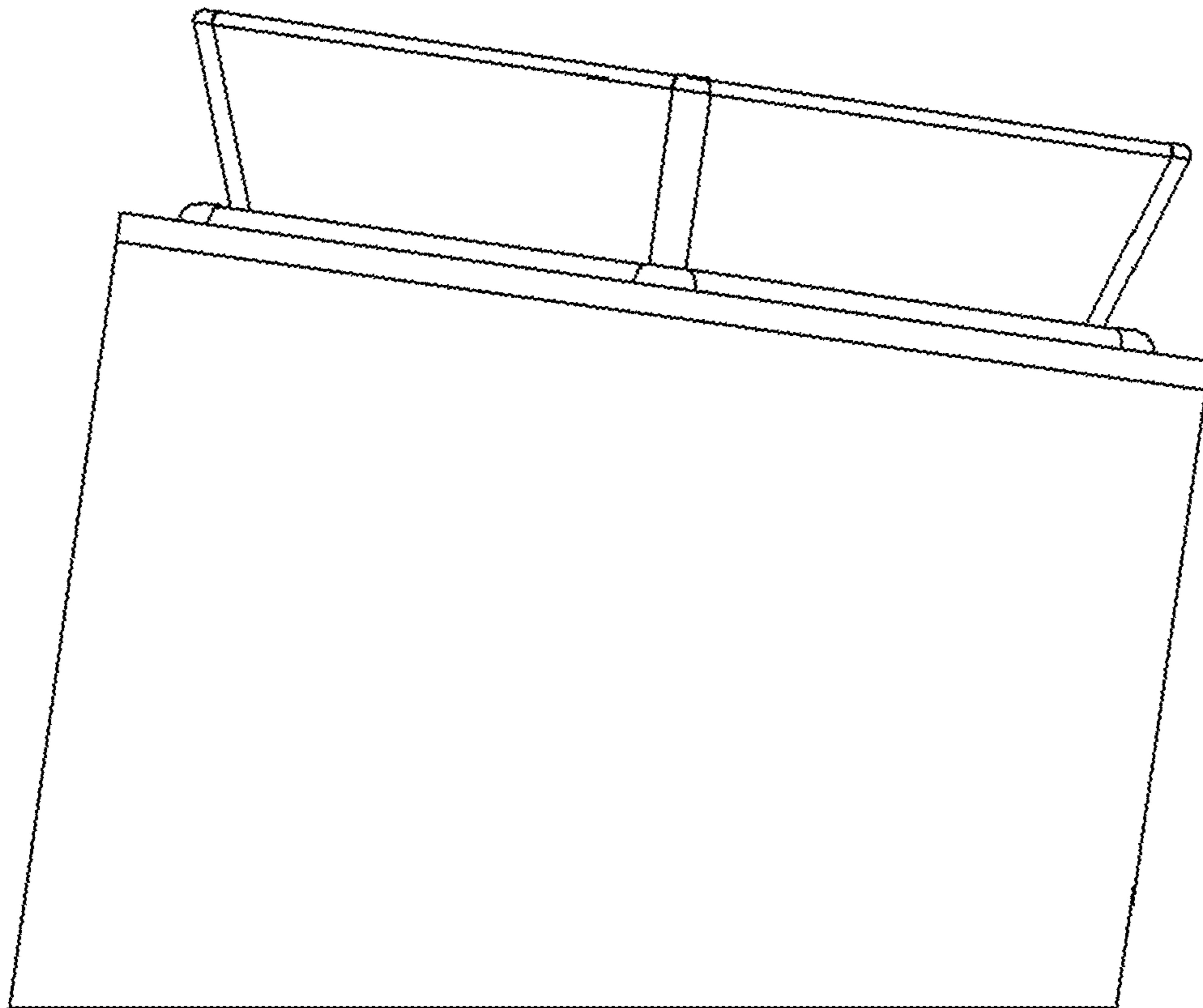


FIG. 5

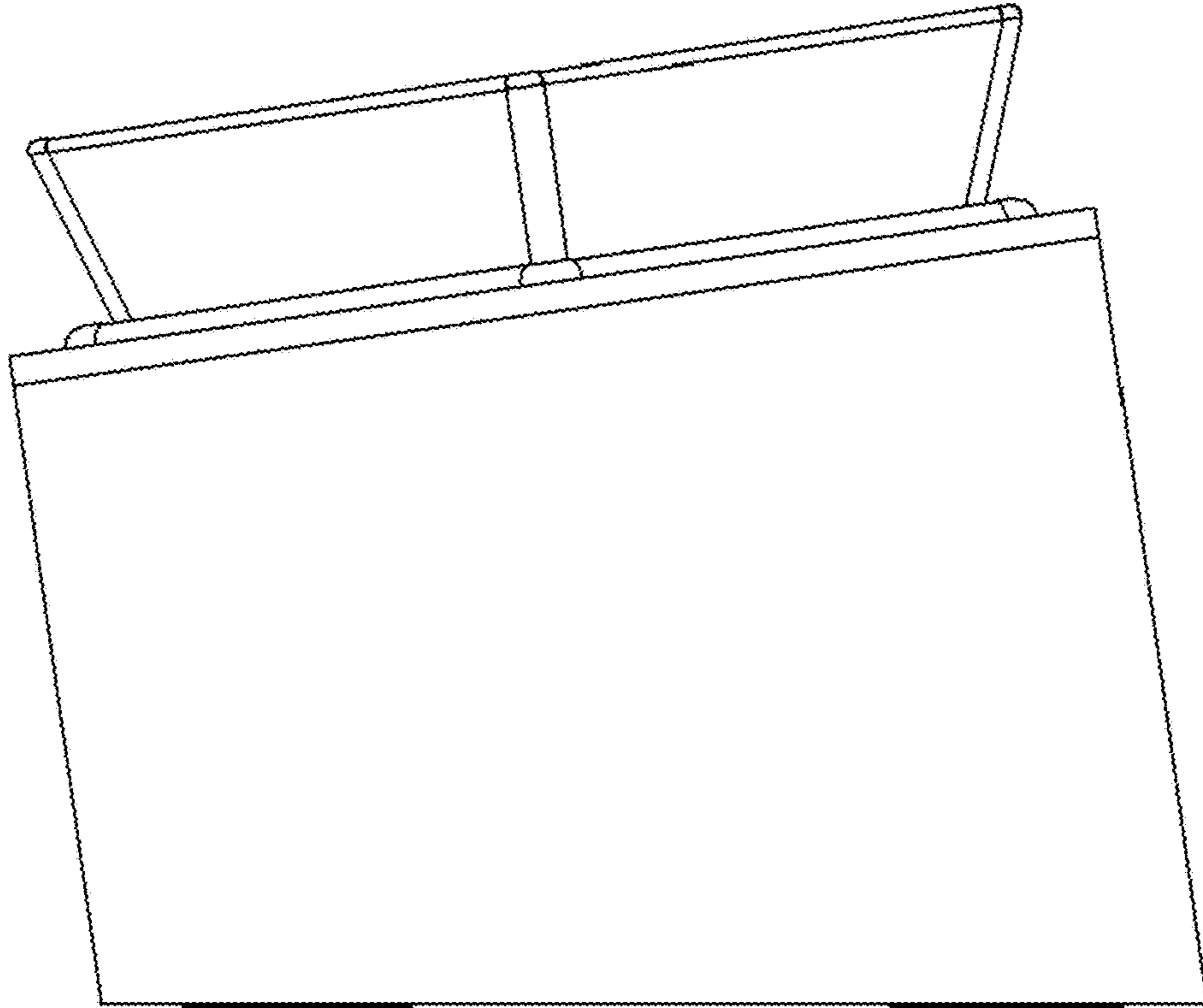


FIG. 6

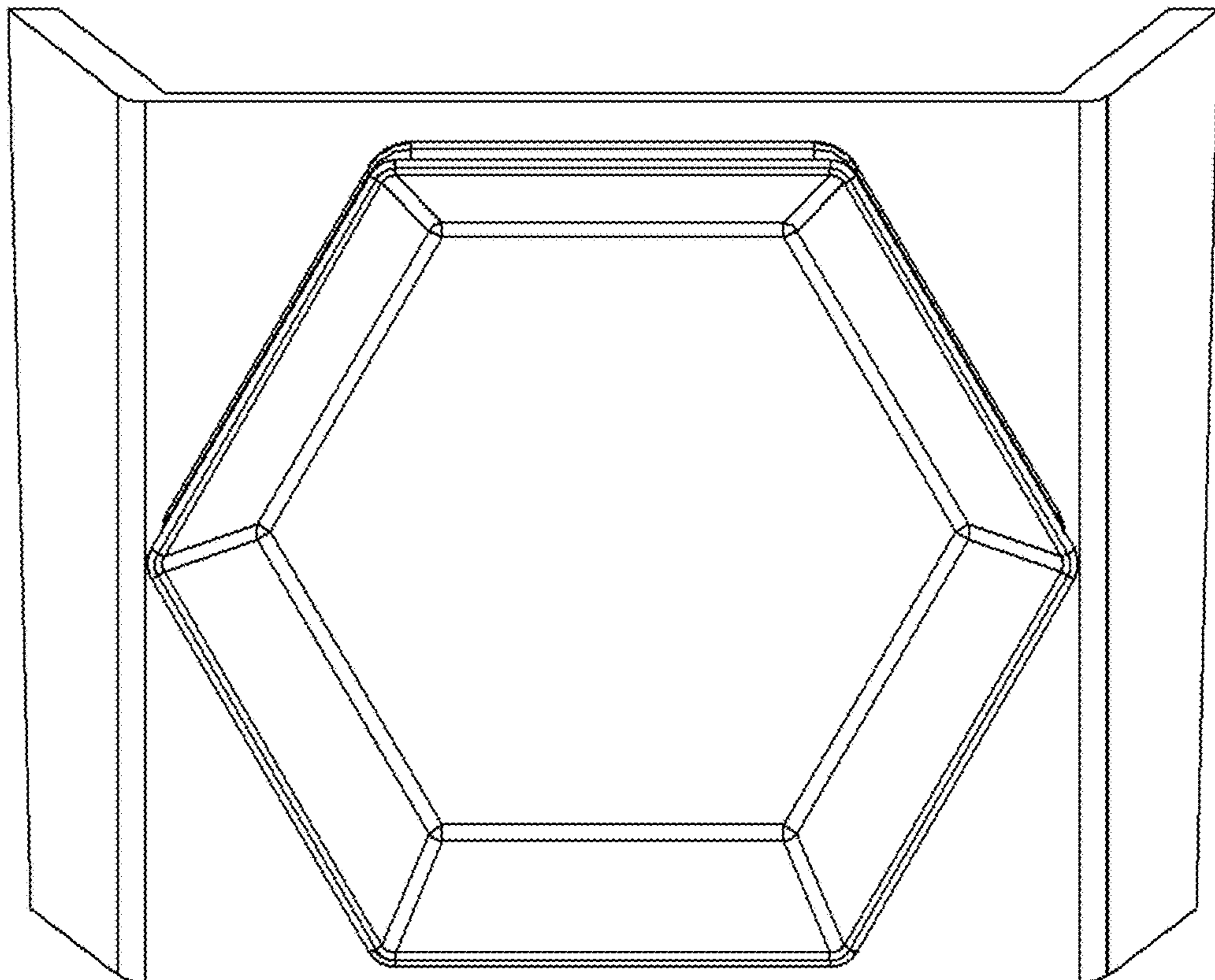


FIG. 7

