



US00D925132S

(12) **United States Design Patent** (10) **Patent No.:** **US D925,132 S**
Soviero (45) **Date of Patent:** **** Jul. 13, 2021**

(54) **GLOVE**
(71) Applicant: **Signature Lacrosse, LLC**, Jupiter, FL (US)
(72) Inventor: **Daniel Soviero**, Jupiter, FL (US)
(73) Assignee: **Signature Lacrosse, LLC**, Jupiter, FL (US)

2008/0313786 A1* 12/2008 Saturnio A41D 19/01588
2/16
2009/0044306 A1* 2/2009 Lamson A41D 19/01523
2/16
2012/0054937 A1* 3/2012 Robaire A63B 71/148
2/16
2012/0131715 A1* 5/2012 Copeland A41D 19/01523
2/16

(Continued)

(**) Term: **15 Years**

(21) Appl. No.: **29/725,947**

(22) Filed: **Feb. 28, 2020**

(51) **LOC (13) Cl.** **02-06**

(52) **U.S. Cl.**
USPC **D29/117.1**

(58) **Field of Classification Search**
USPC D29/113, 116.1, 116.2, 116.3, 117.1,
D29/117.2, 118, 119, 120.1, 123
CPC A41D 19/015; A41D 2600/20; A41D
2600/10; A41D 19/0044; A41D 19/00;
A41D 19/0055; A41D 19/0003; A41D
13/087; A41D 31/04; A41D 31/10; A63B
71/143; A63B 71/146; A63B 21/4019;
A63B 2102/14

See application file for complete search history.

(56) **References Cited**

U.S. PATENT DOCUMENTS

D446,888 S * 8/2001 Morrow D29/113
D462,146 S * 8/2002 Aoki D29/113
D630,384 S * 1/2011 Fream D29/116.3
D728,166 S * 4/2015 Binge D29/123
D750,844 S * 3/2016 Kohler D29/116.3
D751,769 S * 3/2016 McPhail D29/116.3
D779,742 S * 2/2017 Gait D29/122
D877,987 S * 3/2020 Gait D29/113
2005/0114984 A1* 6/2005 Morrow A63B 71/143
2/161.1

OTHER PUBLICATIONS

Epoch Integra Lacrosse Gloves, posted at rocketsports.us, posting date not given, [online], [site visited May 11, 2021]. Available from Internet, URL: <https://rocketsports.us/integra-lacrosse-gloves/> (Year: 2021).*

(Continued)

Primary Examiner — George D. Kirschbaum
Assistant Examiner — Maria J. Edwards
(74) *Attorney, Agent, or Firm* — Larson & Larson, P.A.;
Justin P. Miller; Frank Liebenow

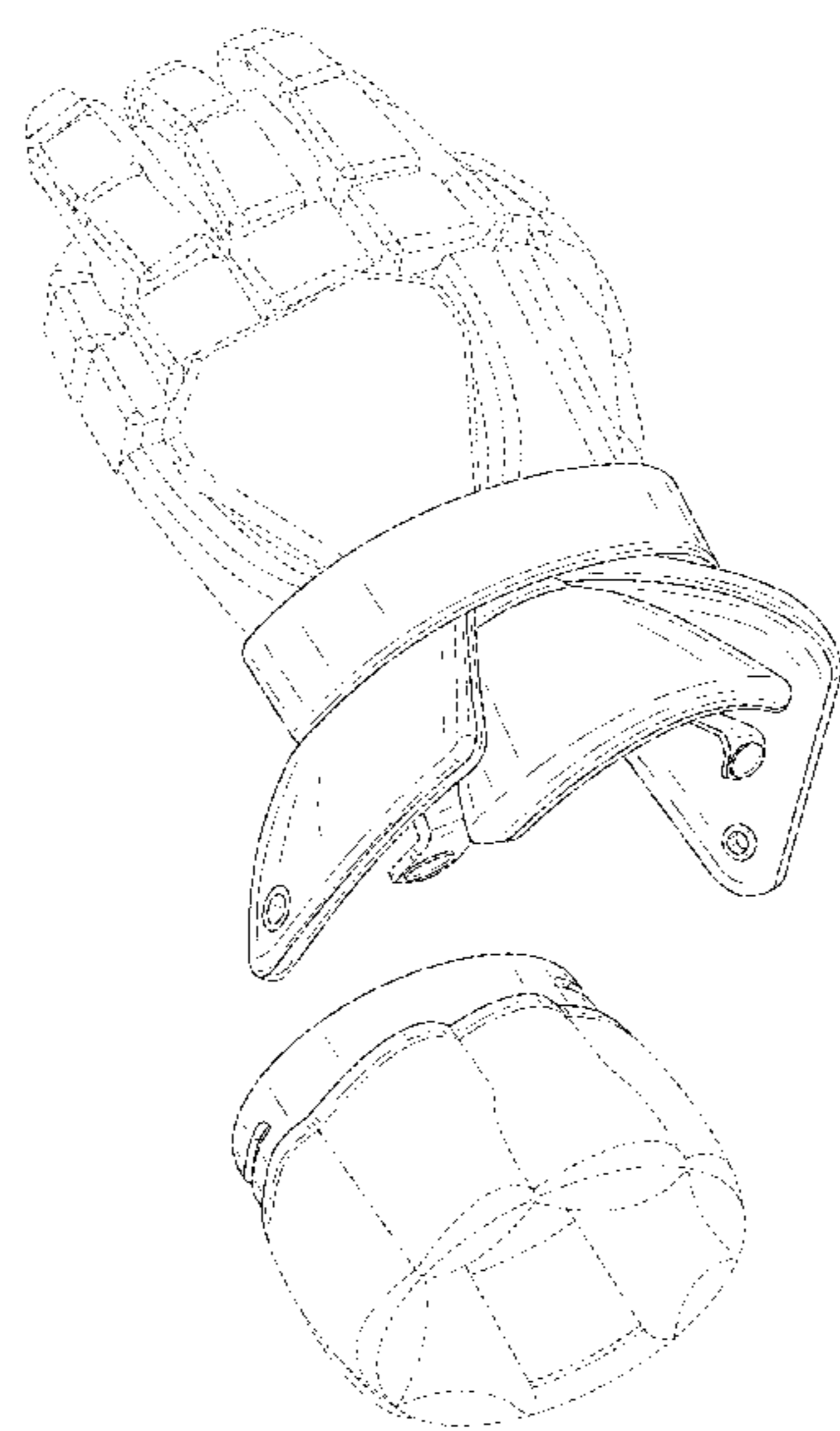
(57) **CLAIM**

I claim the ornamental design for a glove, as shown and described.

DESCRIPTION

FIG. 1 is a perspective view of a glove showing my new design;
FIG. 2 is a front elevation view thereof;
FIG. 3 is a back elevation thereof;
FIG. 4 is a right-side elevation view thereof;
FIG. 5 is a left-side elevation view thereof;
FIG. 6 is a top plan view thereof; and,
FIG. 7 is a bottom plan view thereof.
The dash-dash broken lines show portions of the glove and form no part of the claimed design. The dash-dot broken lines show boundaries of the claim and form no part of the claimed design.

1 Claim, 7 Drawing Sheets



(56)

References Cited

U.S. PATENT DOCUMENTS

2015/0047087 A1* 2/2015 Contant A63B 71/143
2/16
2015/0047088 A1* 2/2015 Contant A63B 71/143
2/16
2015/0106990 A1* 4/2015 Gait A63B 71/143
2/20
2017/0072287 A1* 3/2017 Gait A63B 71/143
2018/0255849 A1* 9/2018 Paquette A63B 71/143
2018/0296900 A1* 10/2018 Morrow A63B 71/143

OTHER PUBLICATIONS

Epoch Integra LE Lacrosse Gloves, posted at sportstop.com, posting date not given, [online], [site visited May 11, 2021]. Available from Internet, URL: https://www.sportstop.com/products/epoch-integra-le-lacrosse-gloves?variant=34340371103882&gclid=EAlalQobChMI0ZHd8onC8AIVeazCh2NJA1cEAQYAiABEgJ9nPD_BwE (Year: 2021).*

Maverik M4 Glove, posted at insidelacrosse.com, posting date Jul. 13, 2017, [online], [site visited May 11, 2021]. Available from Internet, URL: <https://www.insidelacrosse.com/article/maverik-launches-the-new-m4-glove/50079> (Year: 2017).*

National Lacrosse League Under Armour Charge Gloves, posted at insidelacrosse.com, posting date Nov. 26, 2013, [online], [site visited May 11, 2021]. Available from Internet, URL: <https://www.insidelacrosse.com/article/national-lacrosse-league-custom-under-armour-charge-gloves/21994> (Year: 2013).*

* cited by examiner

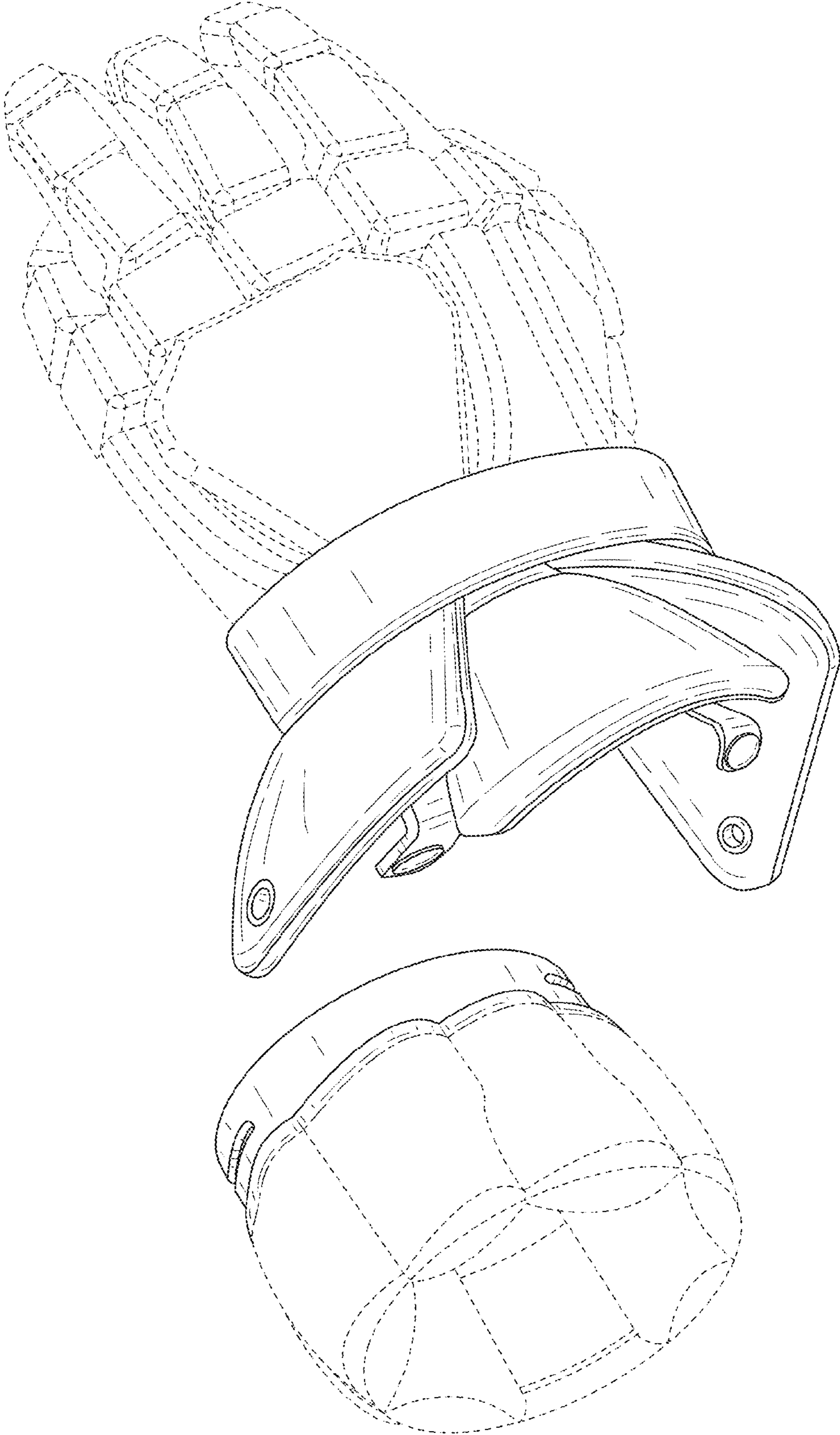


FIG. 1

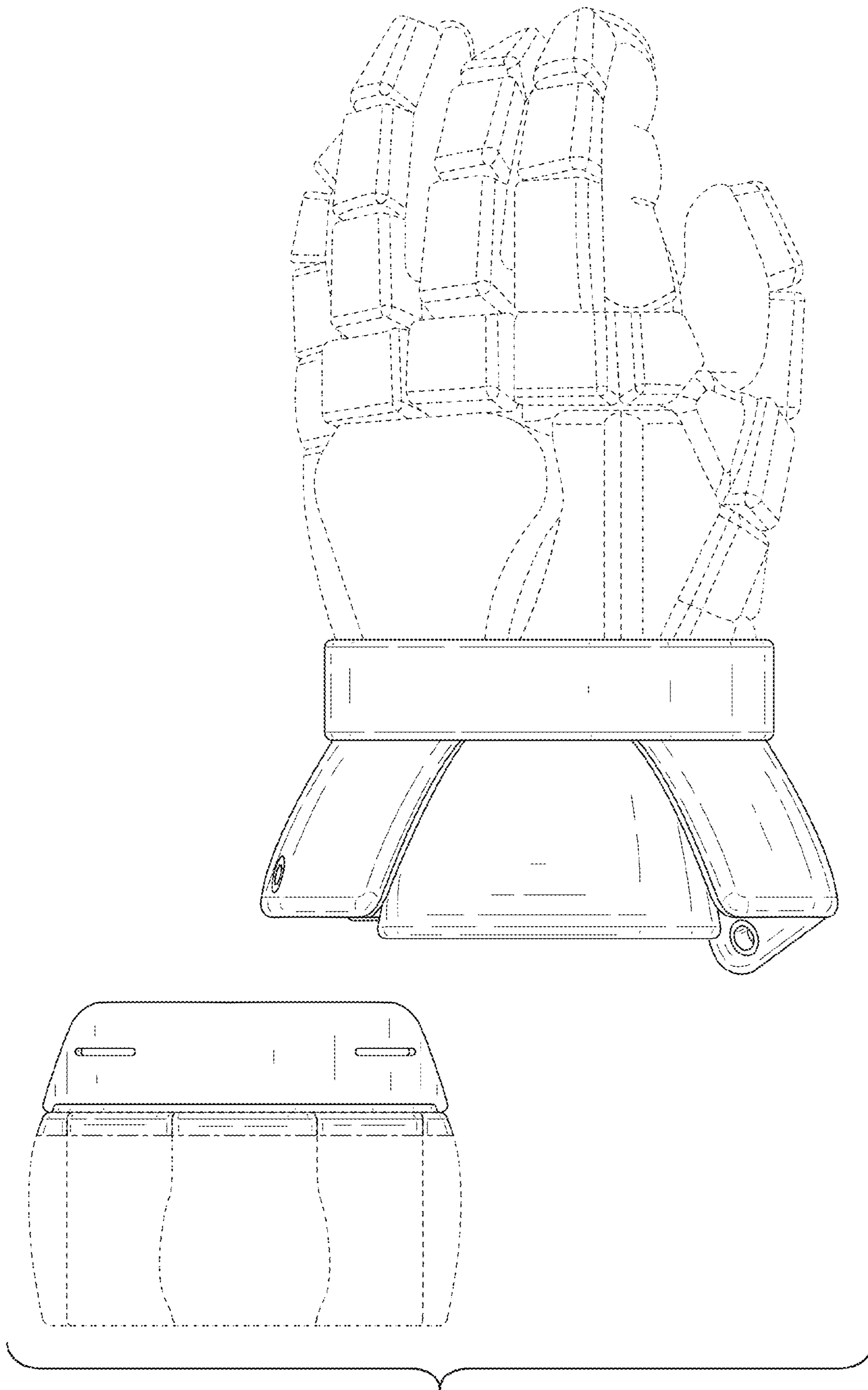


FIG. 2

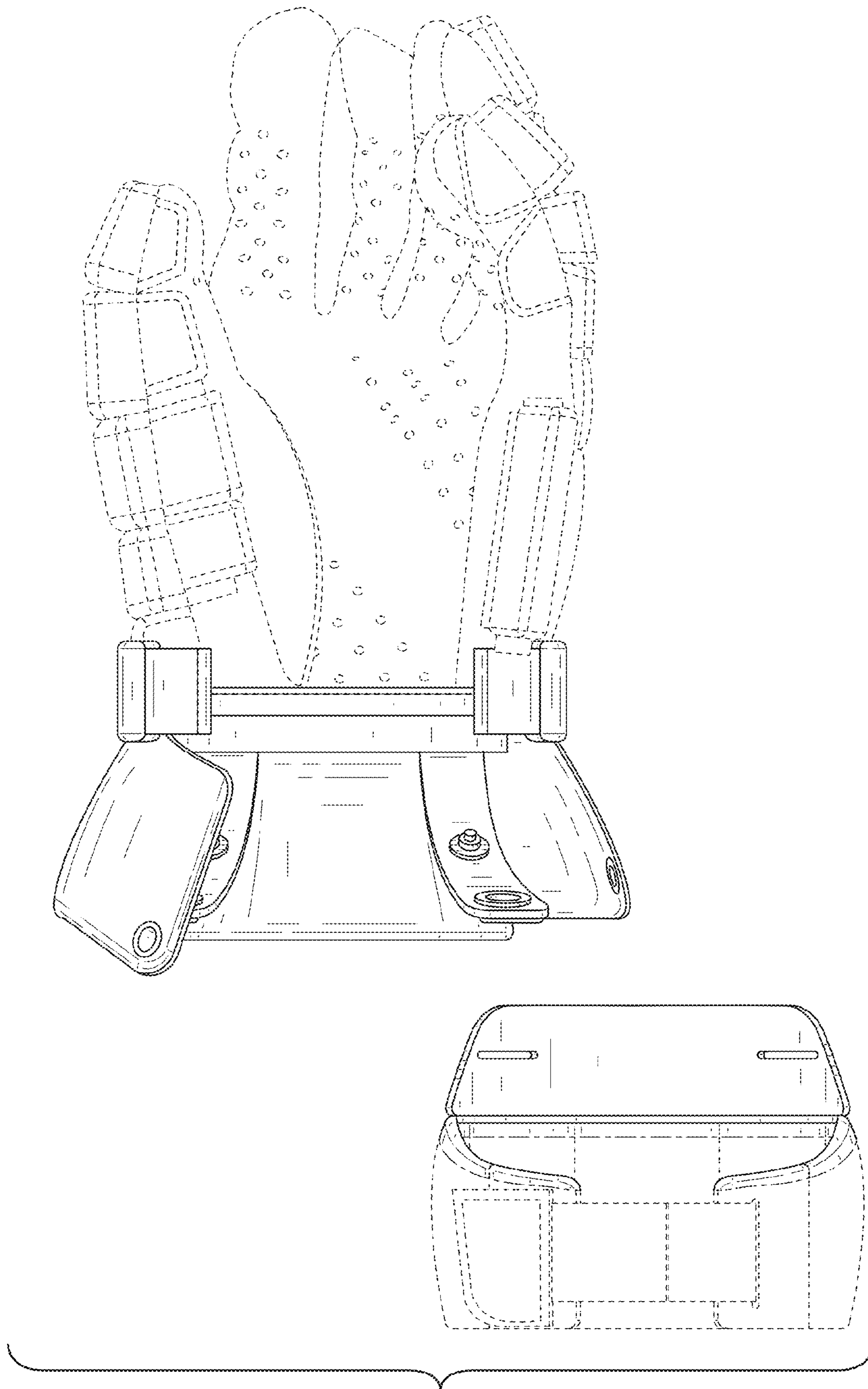


FIG. 3

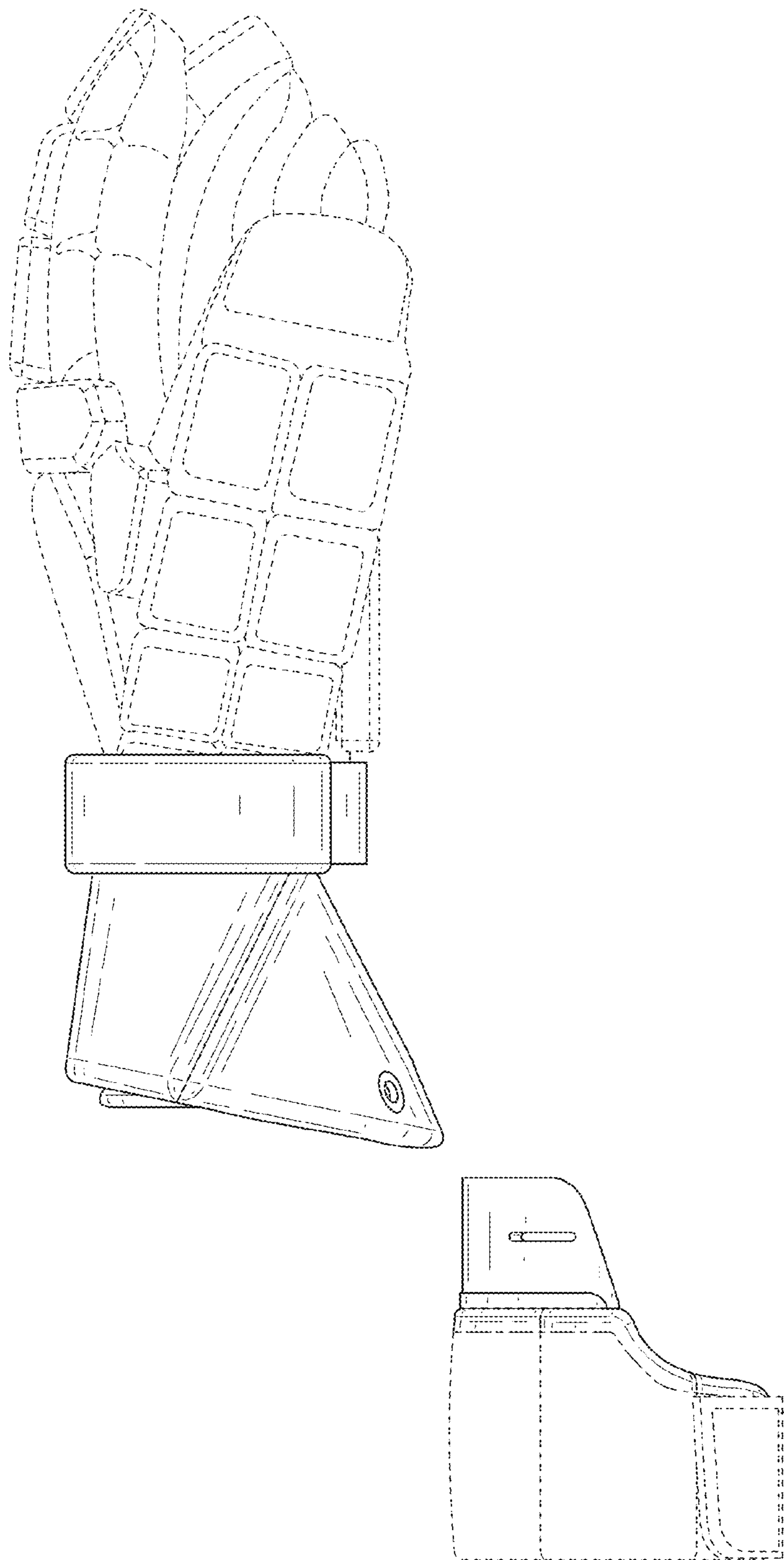


FIG. 4

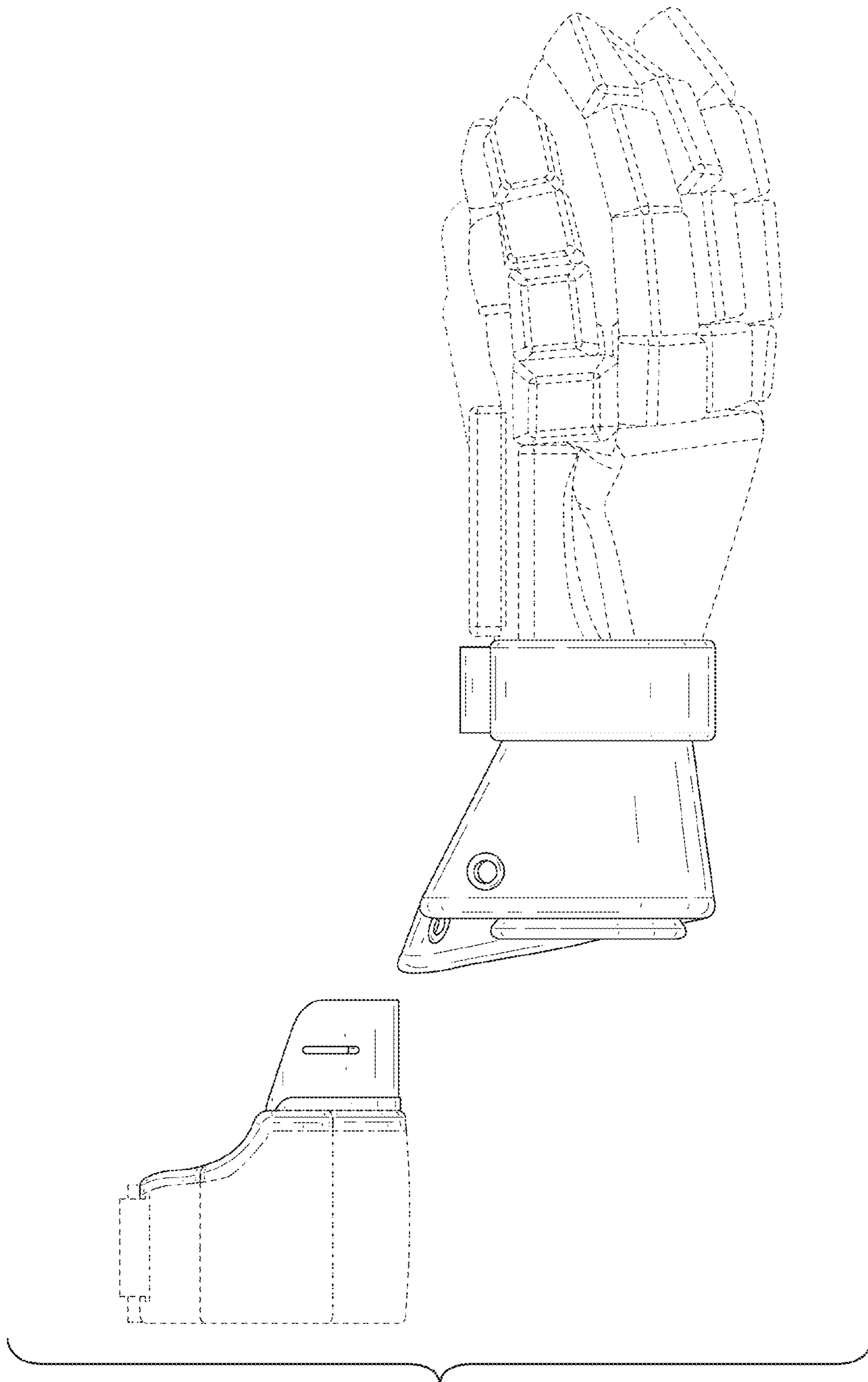


FIG. 5

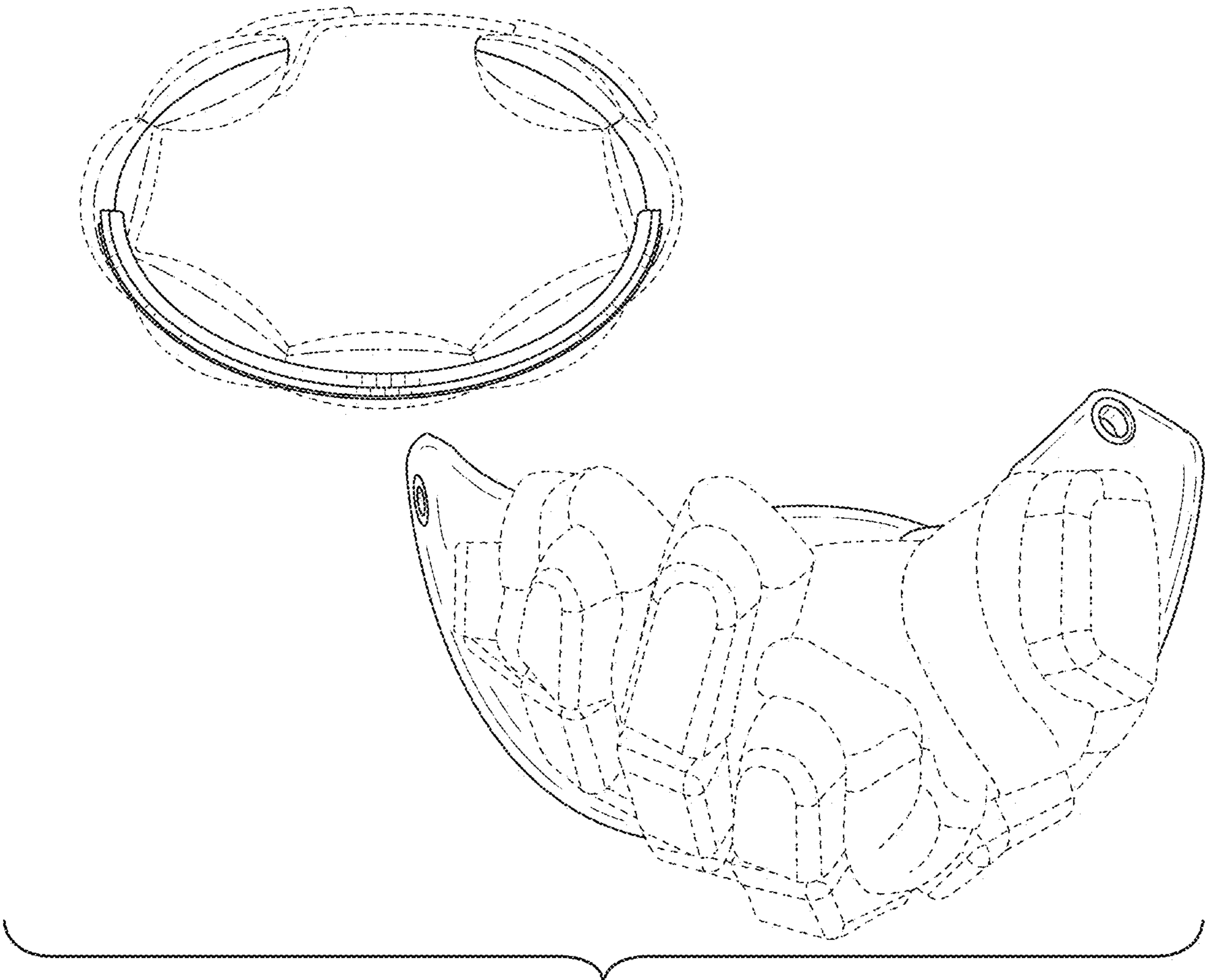


FIG. 6

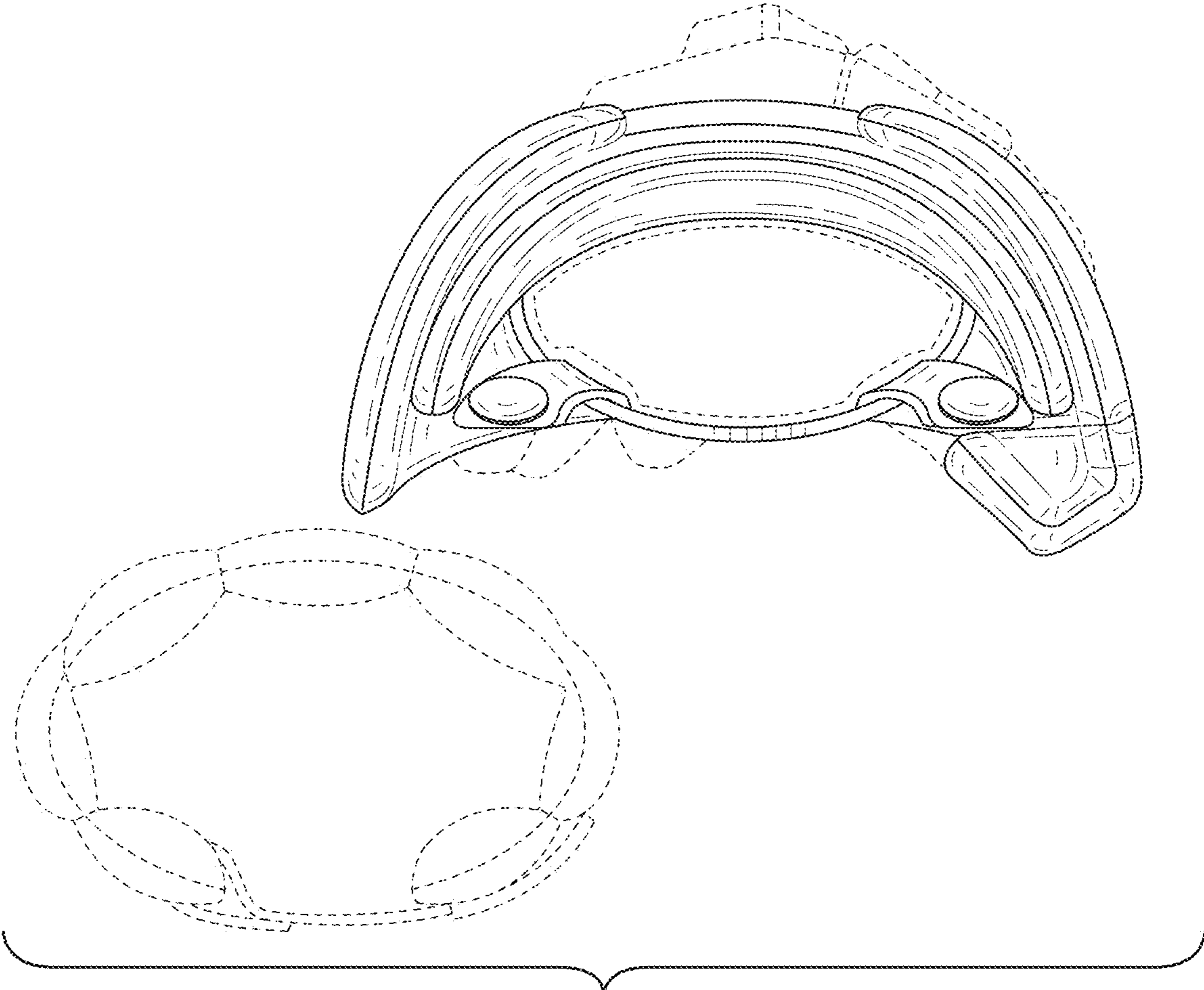


FIG. 7