



US00D925131S

(12) **United States Design Patent** (10) **Patent No.:** **US D925,131 S**  
**Brown, II et al.** (45) **Date of Patent:** **\*\* Jul. 13, 2021**

(54) **BRIM MOUNTED FACE SHIELD**  
(71) Applicants: **Daniel Patrick Brown, II**, Evanston, IL (US); **Daniel Patrick Brown, III**, Kildeer, IL (US)

6,584,614 B2 7/2003 Hogg  
7,103,920 B1 9/2006 Otterson  
D541,991 S 5/2007 Lawrence  
(Continued)

(72) Inventors: **Daniel Patrick Brown, II**, Evanston, IL (US); **Daniel Patrick Brown, III**, Kildeer, IL (US)

FOREIGN PATENT DOCUMENTS

CN 2756188 Y 2/2006  
CN 203538464 U 4/2014  
(Continued)

(\*\*) Term: **15 Years**

*Primary Examiner* — Robert A Delehanty  
(74) *Attorney, Agent, or Firm* — Vedder Price P.C.

(21) Appl. No.: **29/764,655**

(22) Filed: **Dec. 31, 2020**

(57) **CLAIM**

The ornamental design for the brim mounted face shield, as shown and described.

**Related U.S. Application Data**

(63) Continuation of application No. 16/935,160, filed on Jul. 21, 2020, and a continuation-in-part of application No. 29/734,591, filed on May 13, 2020, now Pat. No. Des. 907,300, and a continuation-in-part of application No. 29/730,714, filed on Apr. 7, 2020, now Pat. No. Des. 907,299.

**DESCRIPTION**

FIG. 1 is a perspective view of the brim mounted face shield; FIG. 2 is a front view of the brim mounted face shield of FIG. 1; FIG. 3 is a back view of the brim mounted face shield of FIG. 1; FIG. 4 is a left side view of the brim mounted face shield of FIG. 1; FIG. 5 is a right side view of the brim mounted face shield of FIG. 1; FIG. 6 is a top view of the brim mounted face shield of FIG. 1; FIG. 7 is a bottom view of the brim mounted face shield of FIG. 1; FIG. 8 is a perspective view of the brim mounted face shield of FIG. 1 attached to the brim of a hat; and, FIG. 9 is front view of the brim mounted face shield of FIG. 1 in a flat, unfolded configuration. Broken lines in the drawings illustrate environment that forms no part of the claimed design.

(51) **LOC (13) Cl.** ..... **29-02**

(52) **U.S. Cl.**  
USPC ..... **D29/110**

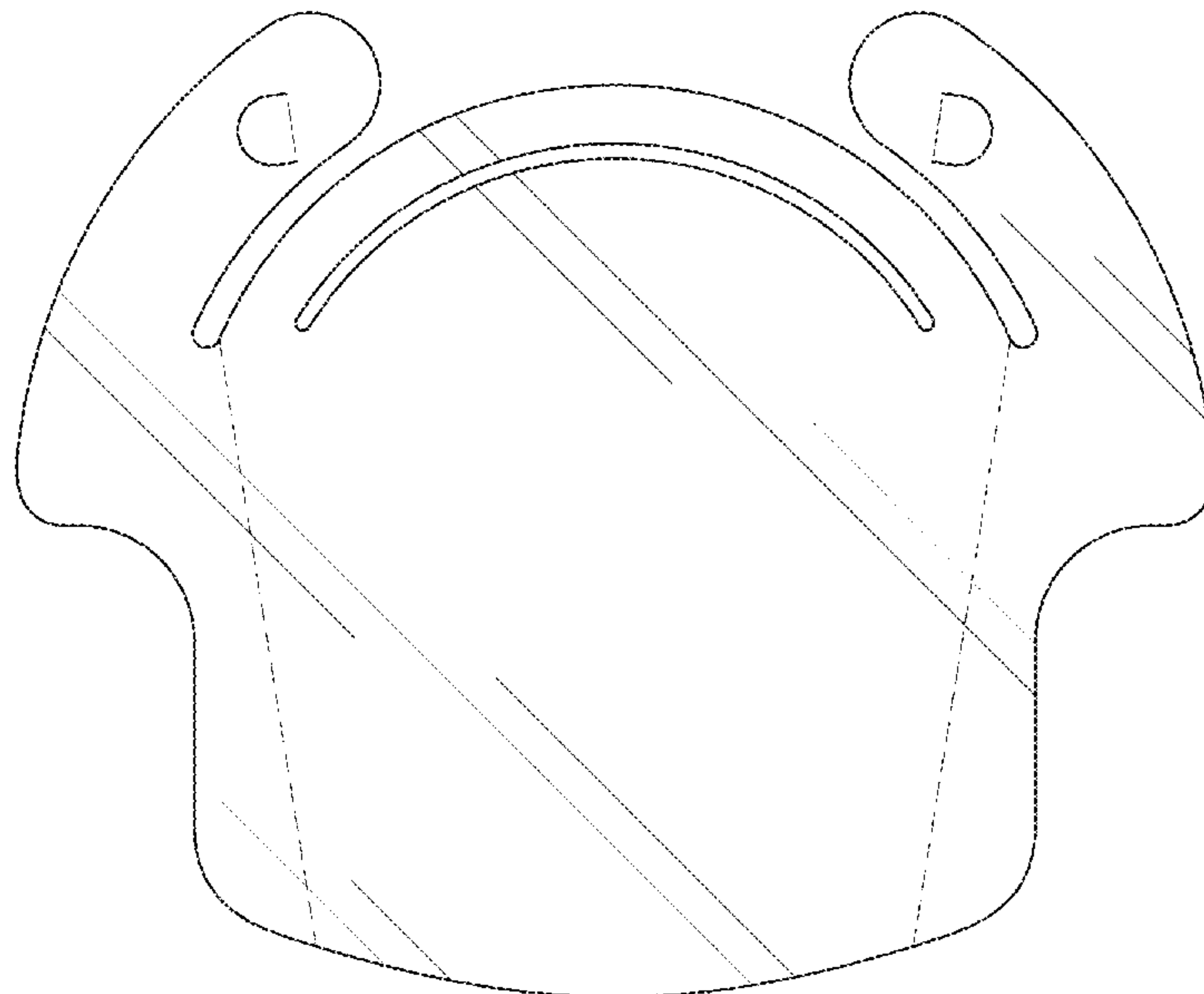
(58) **Field of Classification Search**  
USPC ..... D29/105–110, 123; D24/110.1–110.2; D28/10; D16/310–312  
See application file for complete search history.

(56) **References Cited**

U.S. PATENT DOCUMENTS

2,883,669 A 4/1959 Rafowitz et al.  
3,035,270 A 5/1962 Boemer  
4,965,887 A 10/1990 Paoluccio et al.  
5,544,361 A 8/1996 Fine et al.  
5,933,871 A 8/1999 Kraft  
5,950,241 A 9/1999 Gomez  
6,041,435 A 3/2000 Paulson et al.

**1 Claim, 8 Drawing Sheets**



(56)

**References Cited**

U.S. PATENT DOCUMENTS

D638,205	S	5/2011	Castillo	
9,078,483	B1	7/2015	Snyder	
9,894,952	B2	2/2018	Hayes	
D835,890	S	12/2018	Swank	
D908,973	S *	1/2021	Rybak .....	D29/110
D910,241	S *	2/2021	Koefeldt .....	D29/110
2008/0066214	A1	3/2008	O'Hare	
2009/0151049	A1	6/2009	Conrardy et al.	
2010/0146679	A1	6/2010	Heil	
2010/0257659	A1	10/2010	Hitch	
2013/0145525	A1	6/2013	Arenson et al.	
2020/0281301	A1 *	9/2020	Wynalda, Jr. ....	A42B 1/0181

FOREIGN PATENT DOCUMENTS

CN	104783344	A	7/2015
DE	3635019	A1	4/1988
DE	202020101562	U1	5/2020
EP	1344466	B1	3/2007
EP	2323509	B1	9/2012
EP	2713789	B1	2/2019
GB	2515122	A	12/2014
JP	05952752	B2	7/2016
JP	2017025426	A	2/2017
KR	2064687	B1	1/2020
WO	2020044020	A1	3/2020

\* cited by examiner

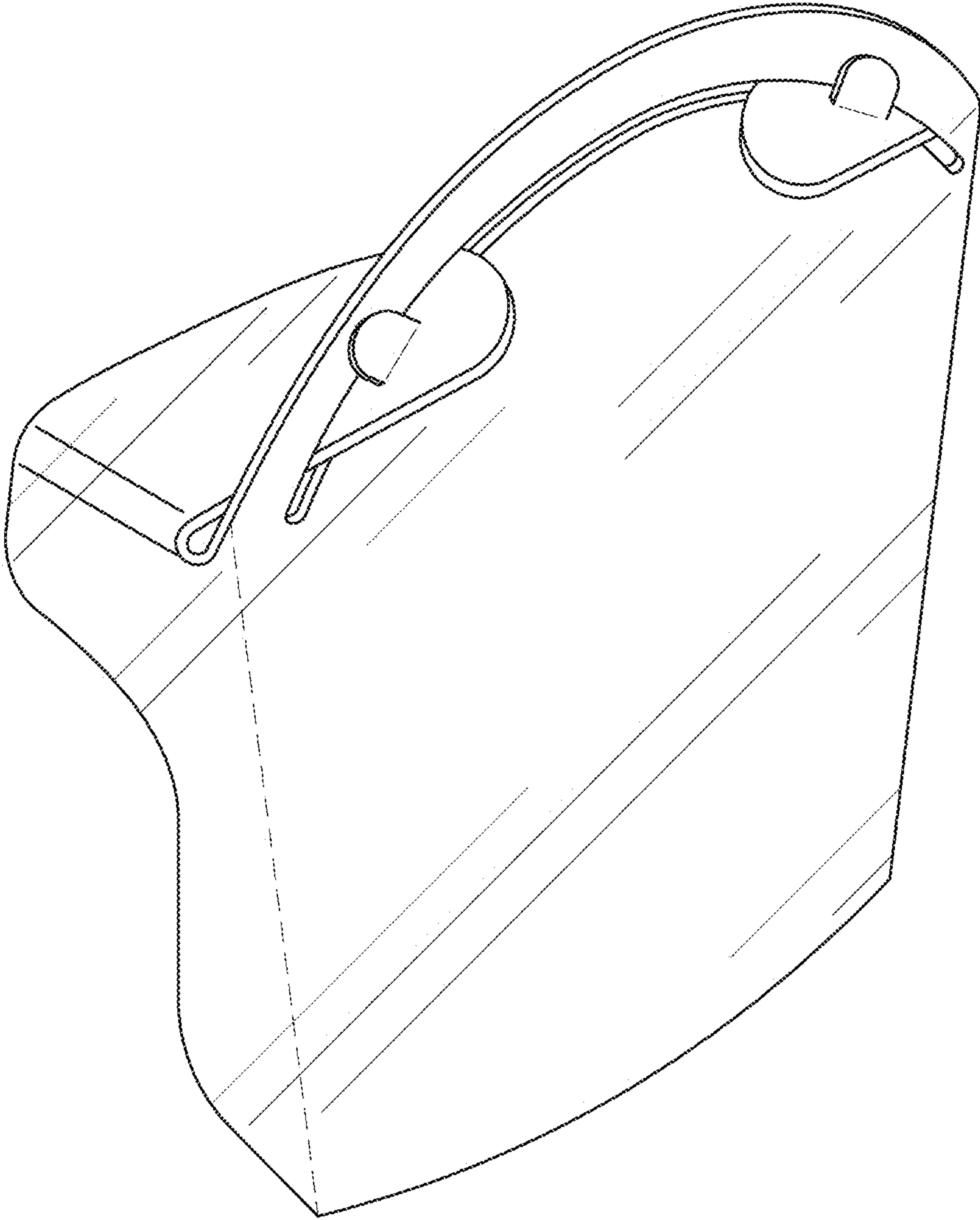


FIG. 1

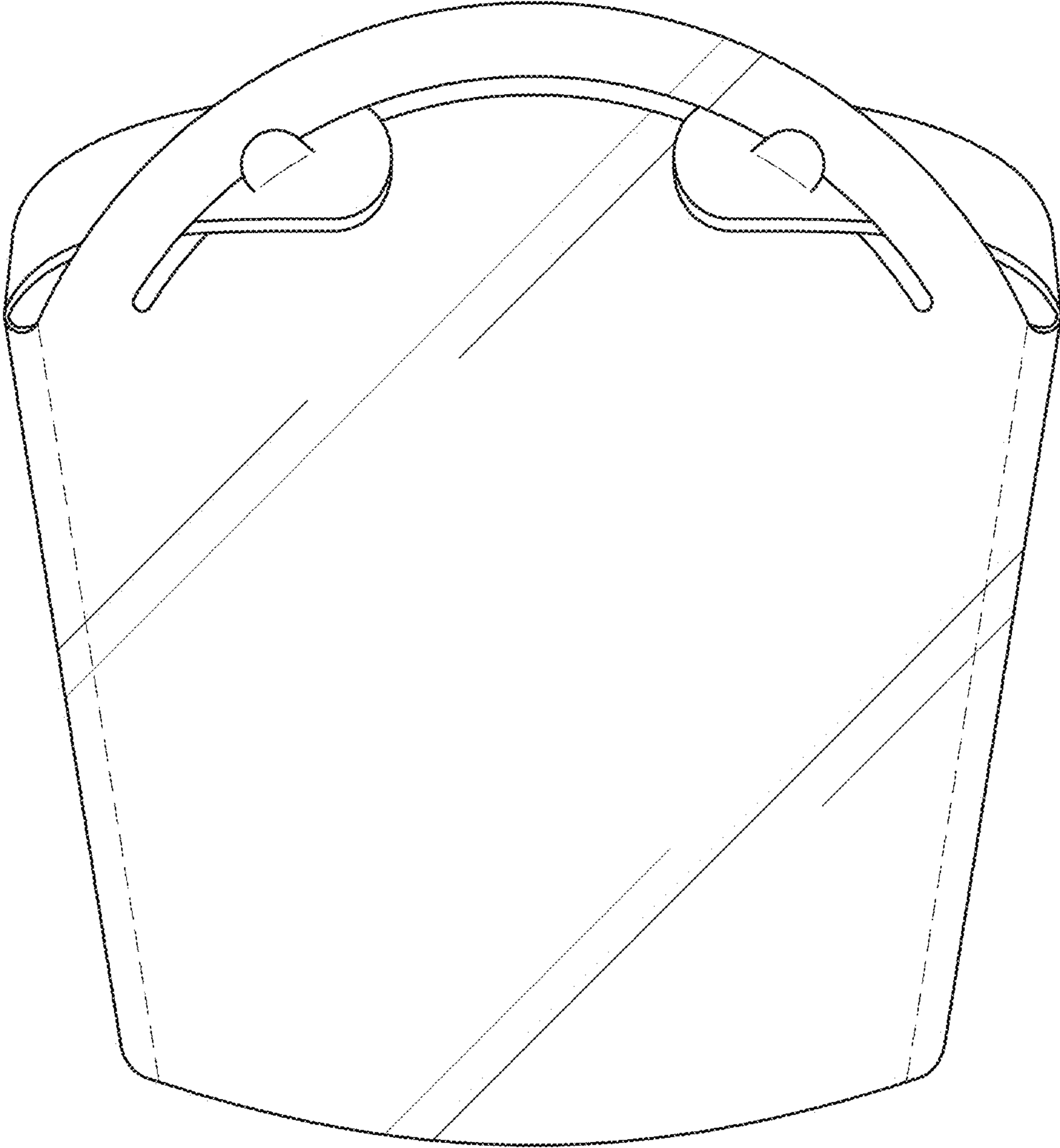


FIG. 2

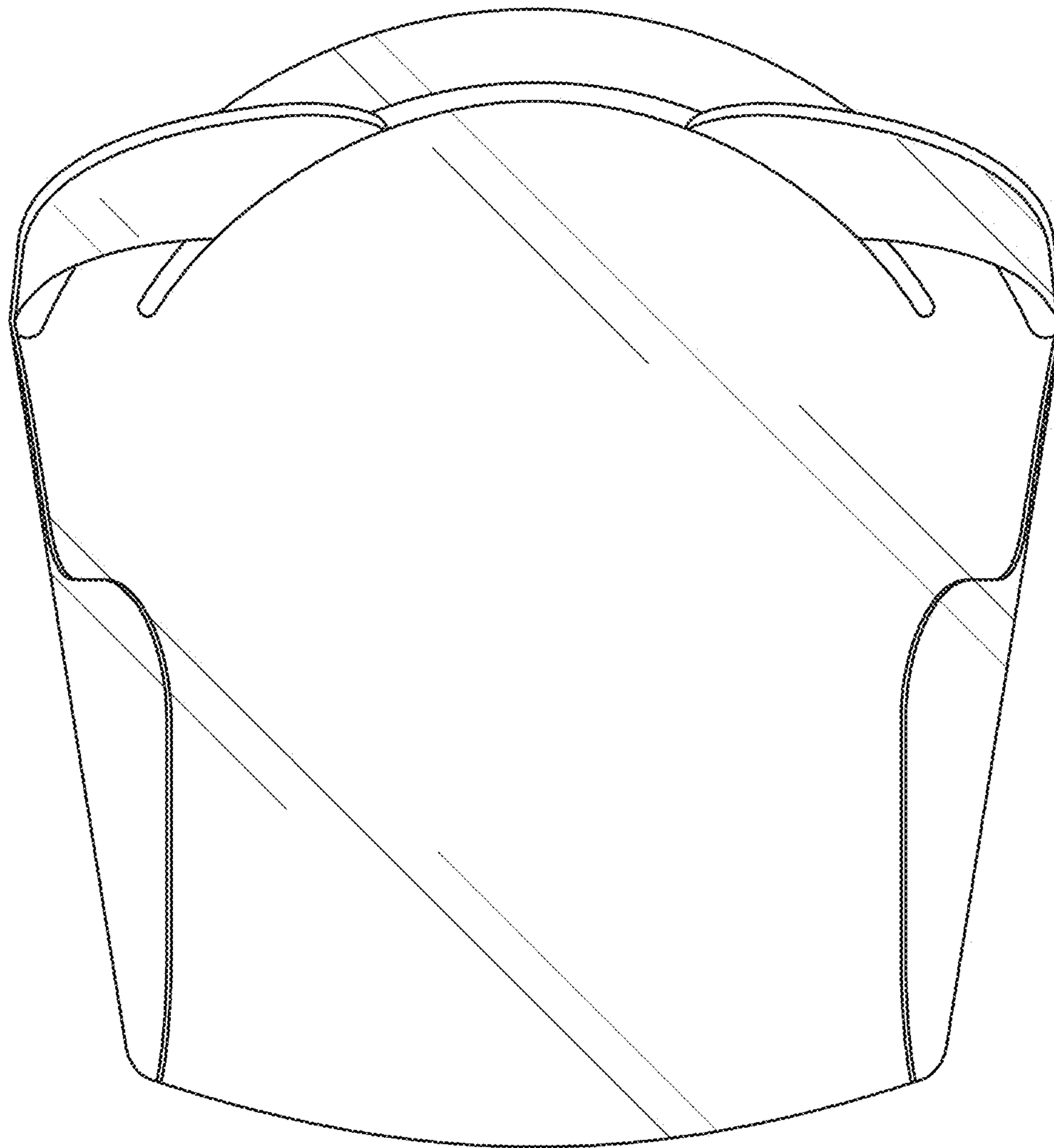


FIG. 3

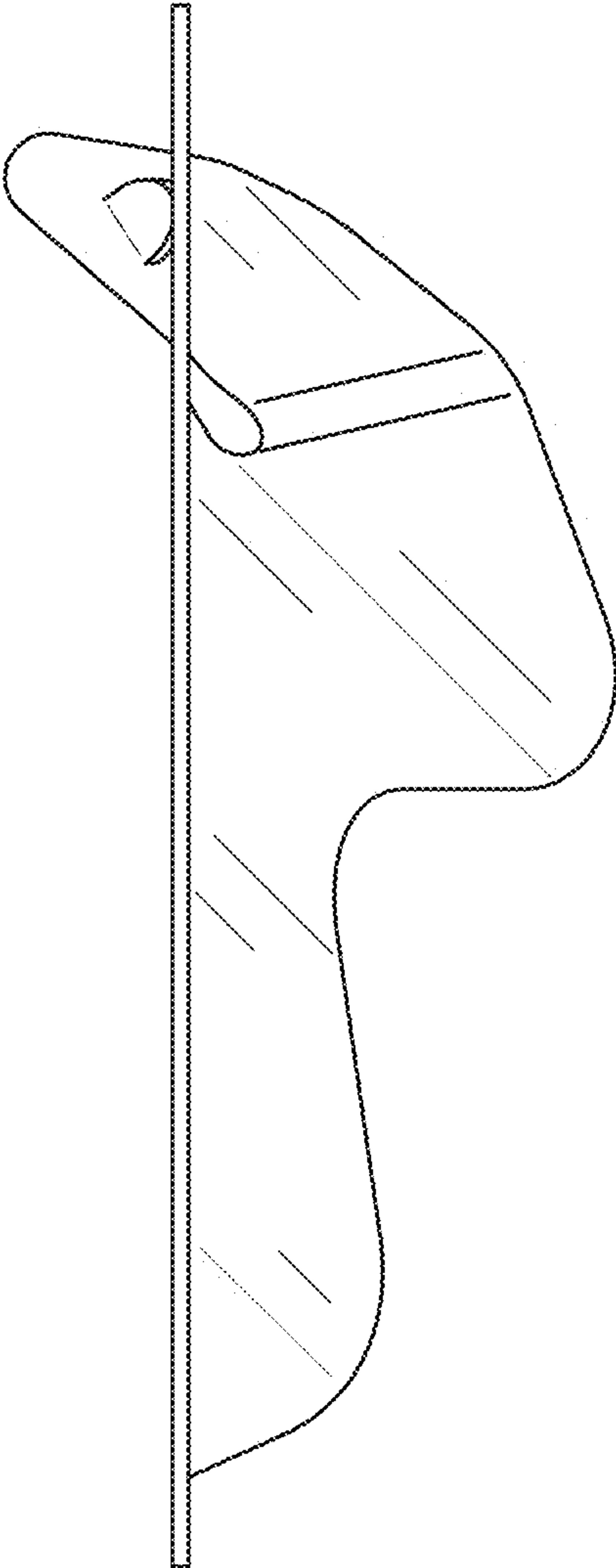


FIG. 4

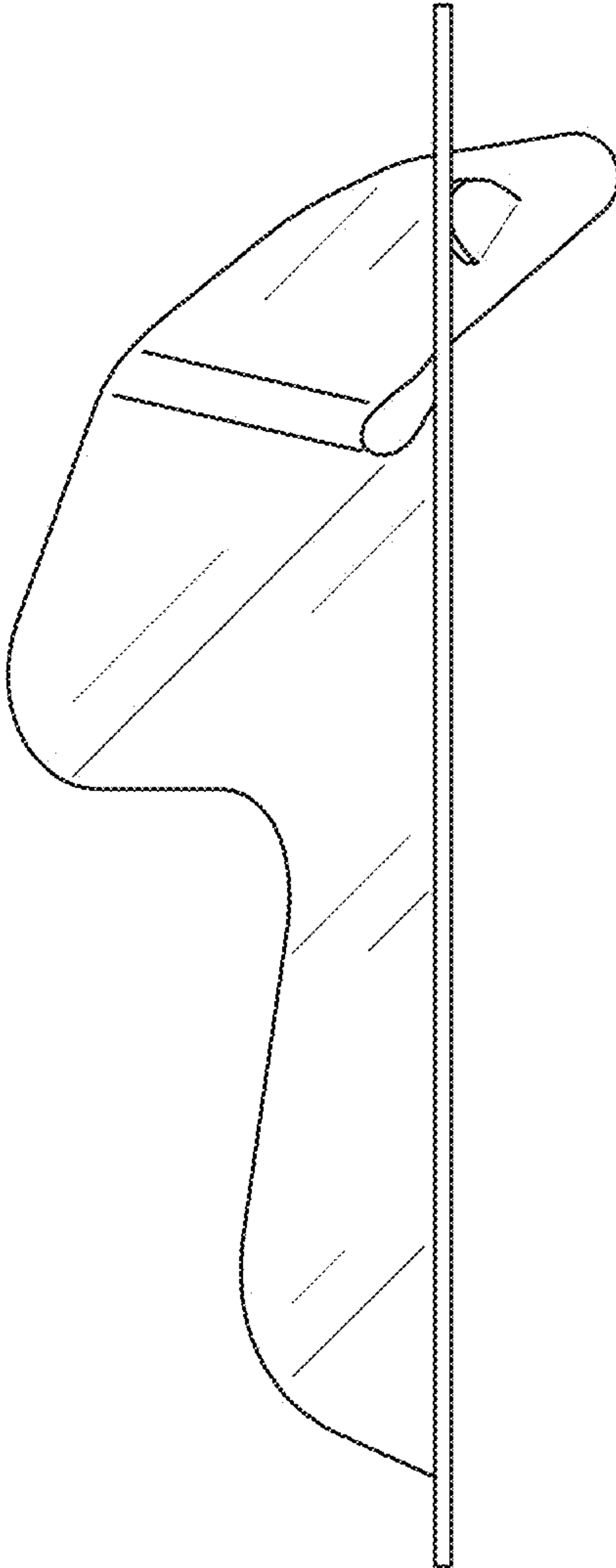


FIG. 5



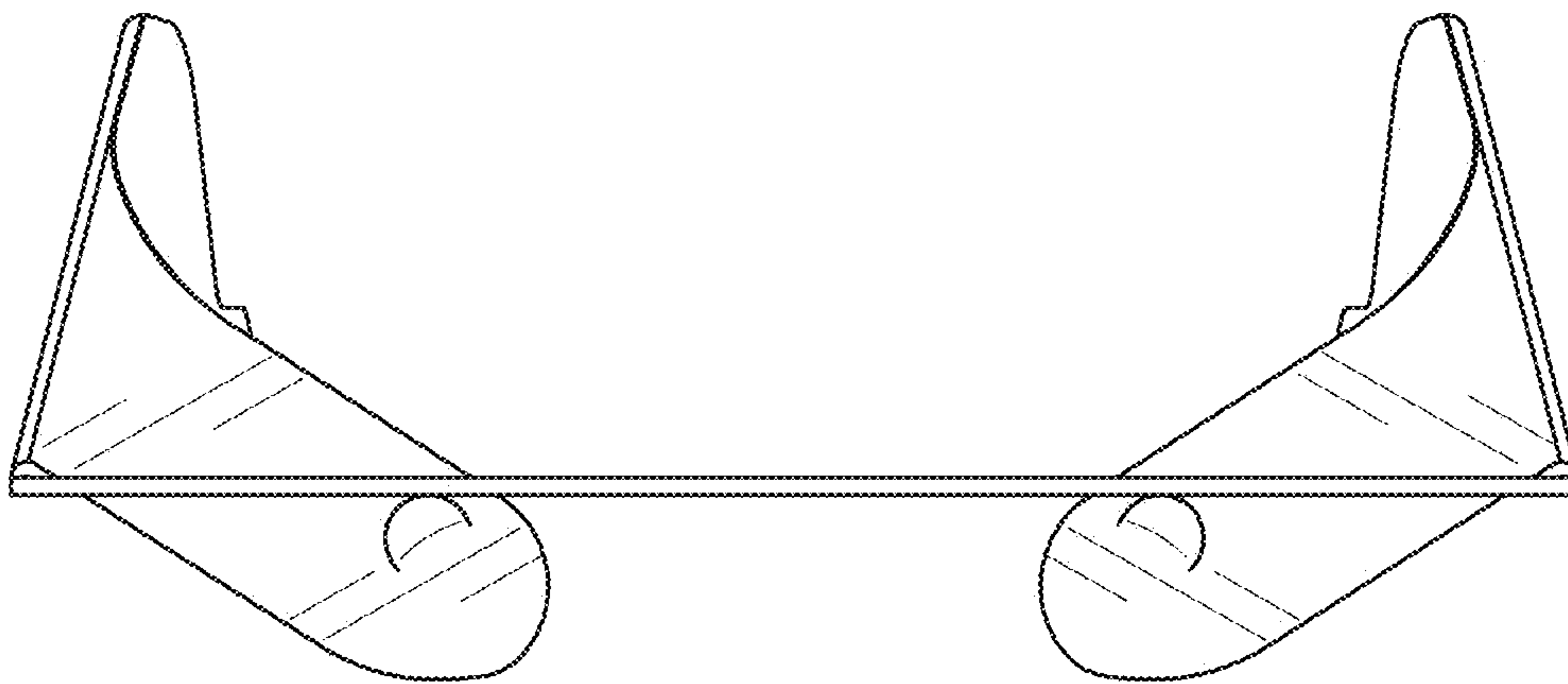


FIG. 6

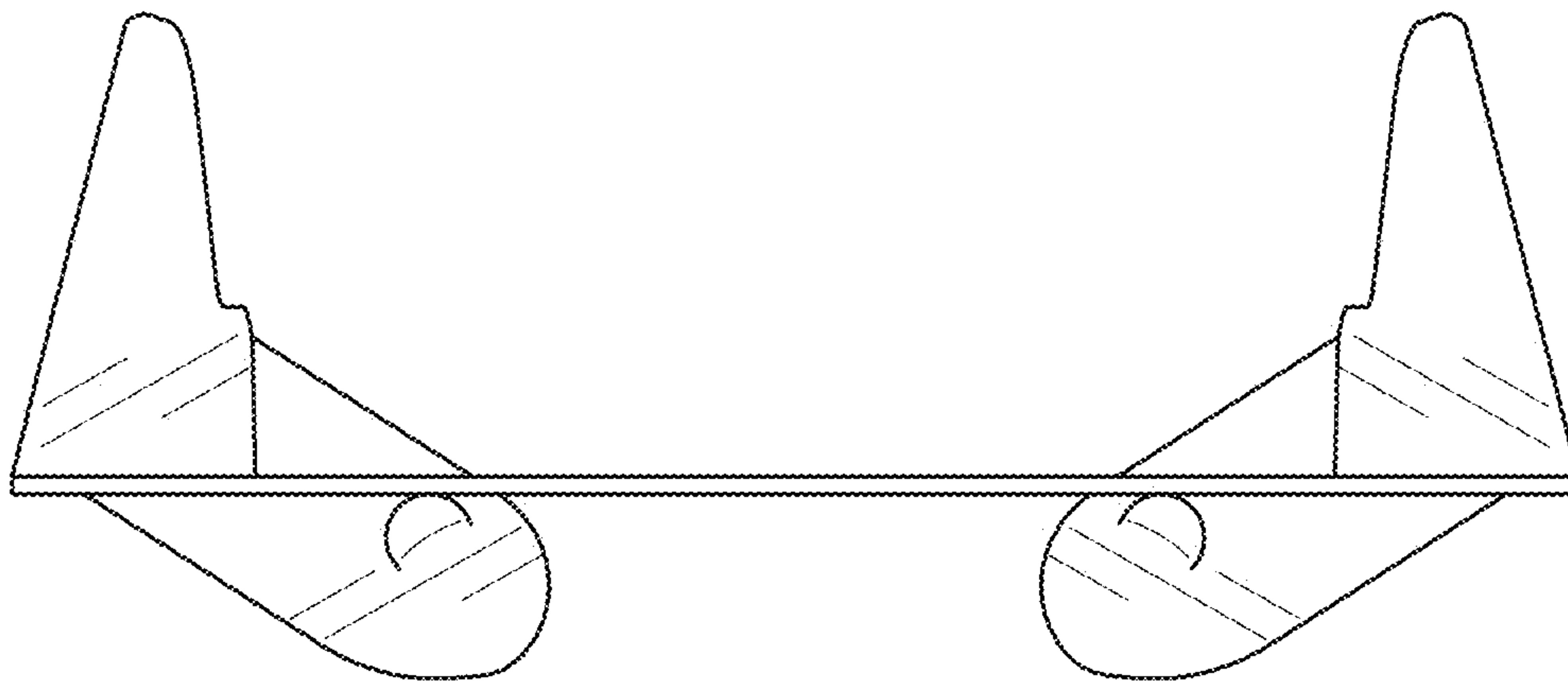


FIG. 7



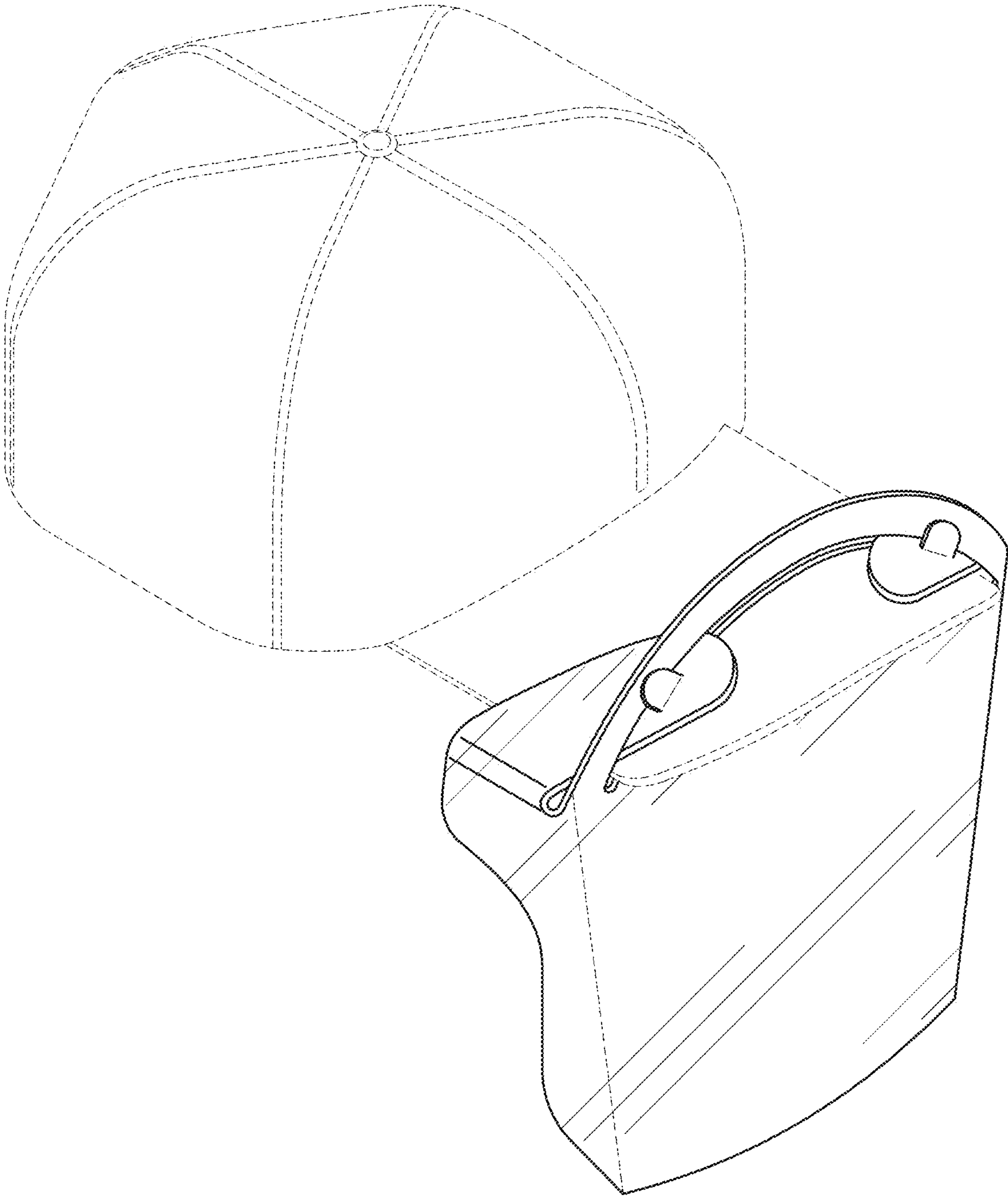


FIG. 8

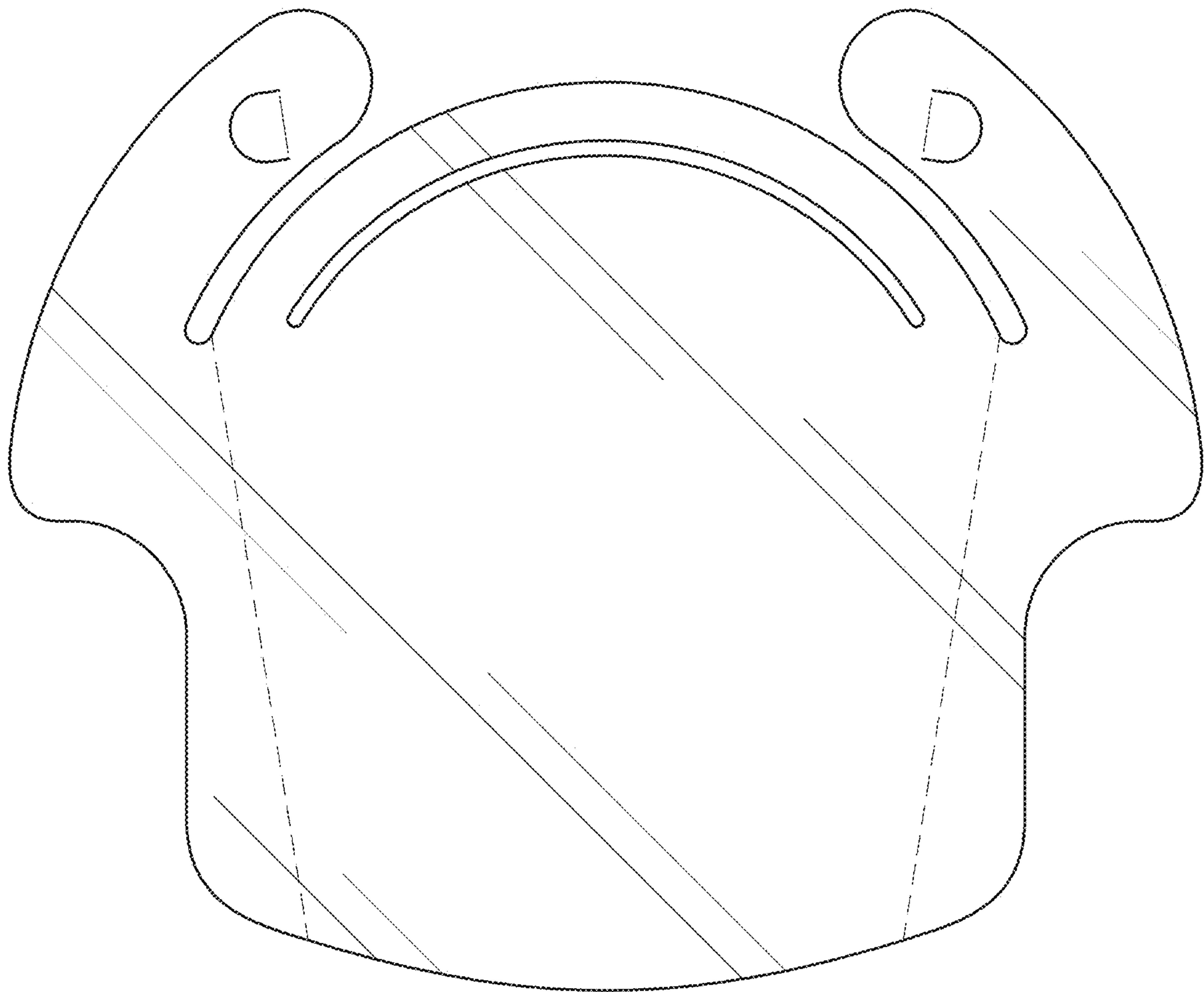


FIG. 9