



US00D925130S

(12) **United States Design Patent** (10) **Patent No.:** **US D925,130 S**
Williams (45) **Date of Patent:** **** Jul. 13, 2021**

(54) **WELDING HOOD**

Primary Examiner — Robert A Delehanty

(71) Applicant: **Richard Nelson Williams**, Washington, PA (US)

(74) *Attorney, Agent, or Firm* — The Webb Law Firm

(72) Inventor: **Richard Nelson Williams**, Washington, PA (US)

(57) **CLAIM**

(**) Term: **15 Years**

The ornamental design for a welding hood, as shown and described.

(21) Appl. No.: **29/738,775**

(22) Filed: **Jun. 19, 2020**

DESCRIPTION

(51) **LOC (13) Cl.** **29-02**

(52) **U.S. Cl.**
USPC **D29/110**

(58) **Field of Classification Search**
USPC D29/122, 109–112
CPC A61F 9/06
See application file for complete search history.

FIG. 1 is an upper left front perspective view of a welding hood showing my new design in accordance with a first embodiment of the present invention;
FIG. 2 is an upper rear right perspective view thereof;
FIG. 3 is a top view thereof;
FIG. 4 is a bottom view thereof;
FIG. 5 is a right side elevation view thereof;
FIG. 6 is a left side elevation view thereof;
FIG. 7 is a front elevation view thereof;
FIG. 8 is a rear elevation view thereof;
FIG. 9 is an upper right front perspective view of a welding hood showing my new design in accordance with a second embodiment of the present invention;
FIG. 10 is an upper right rear perspective view thereof;
FIG. 11 is a top view thereof;
FIG. 12 is a bottom view thereof;
FIG. 13 is a right side elevation view thereof;
FIG. 14 is a left side elevation view thereof;
FIG. 15 is a front elevation view thereof in an optional condition of use; and,
FIG. 16 is a right side elevation view thereof in an optional condition of use.
The portions of the welding hood shown in broken lines form no part of the claimed design.

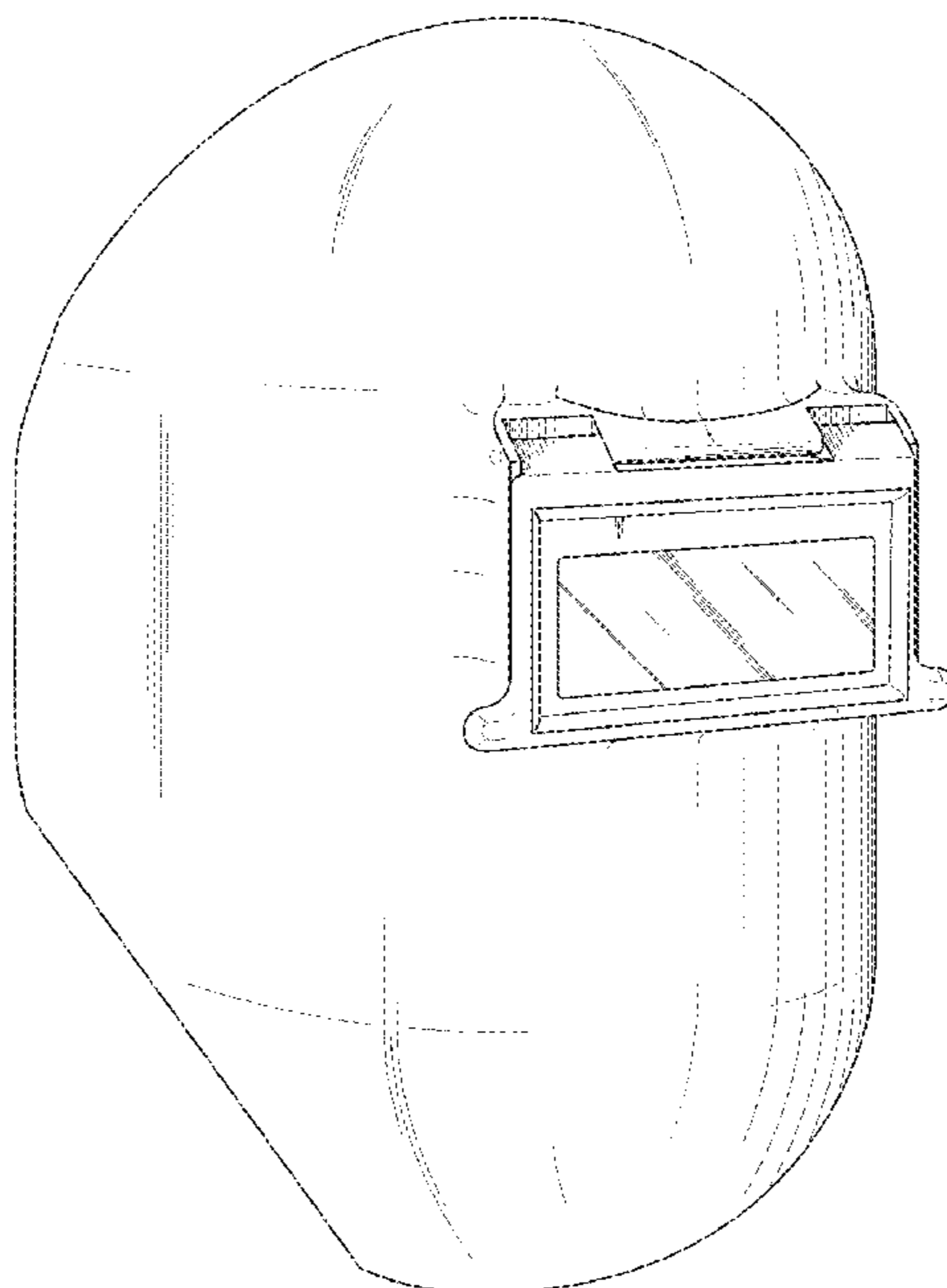
(56) **References Cited**

U.S. PATENT DOCUMENTS

| | | | | | |
|--------------|------|---------|----------|-------|-------------------------|
| 2,410,256 | A * | 10/1946 | Anderson | | A61F 9/061 2/8.3 |
| D249,827 | S * | 10/1978 | Rieppel | | D29/110 |
| D264,891 | S * | 6/1982 | Rosenius | | D29/110 |
| D308,266 | S * | 5/1990 | Van Wyk | | D29/110 |
| D366,540 | S * | 1/1996 | Elias | | D29/110 |
| 6,008,466 | A * | 12/1999 | Hosoda | | A61F 9/06 219/121.62 |
| 6,230,327 | B1 * | 5/2001 | Briand | | A61F 9/06 2/8.1 |
| 6,507,954 | B1 * | 1/2003 | Sanchez | | A61F 9/06 2/15 |
| 7,346,972 | B2 * | 3/2008 | Inget | | A61F 9/06 2/8.2 |
| 2020/0397615 | A1 * | 12/2020 | Williams | | A61F 9/06 |

* cited by examiner

1 Claim, 10 Drawing Sheets



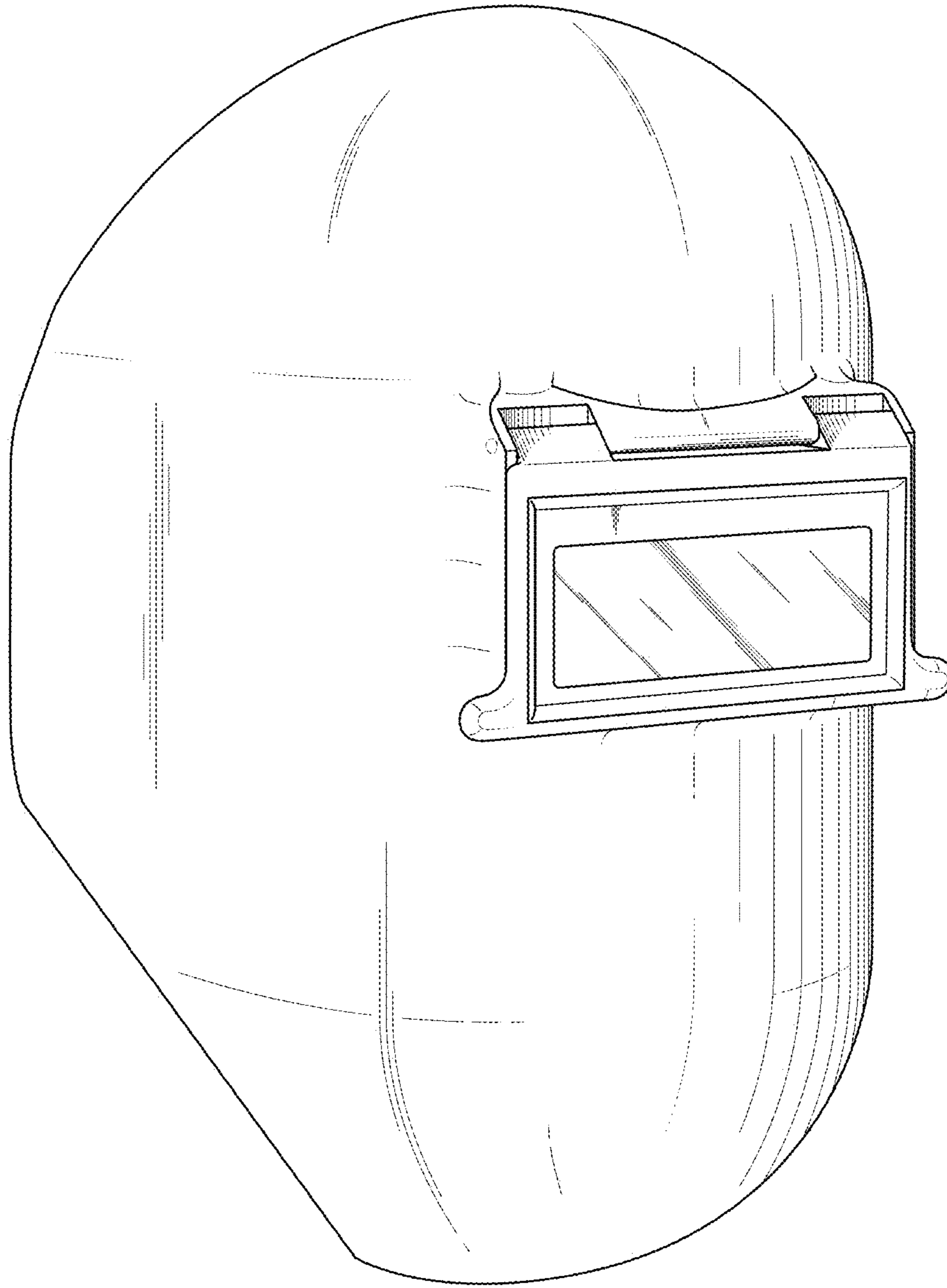


FIG. 1

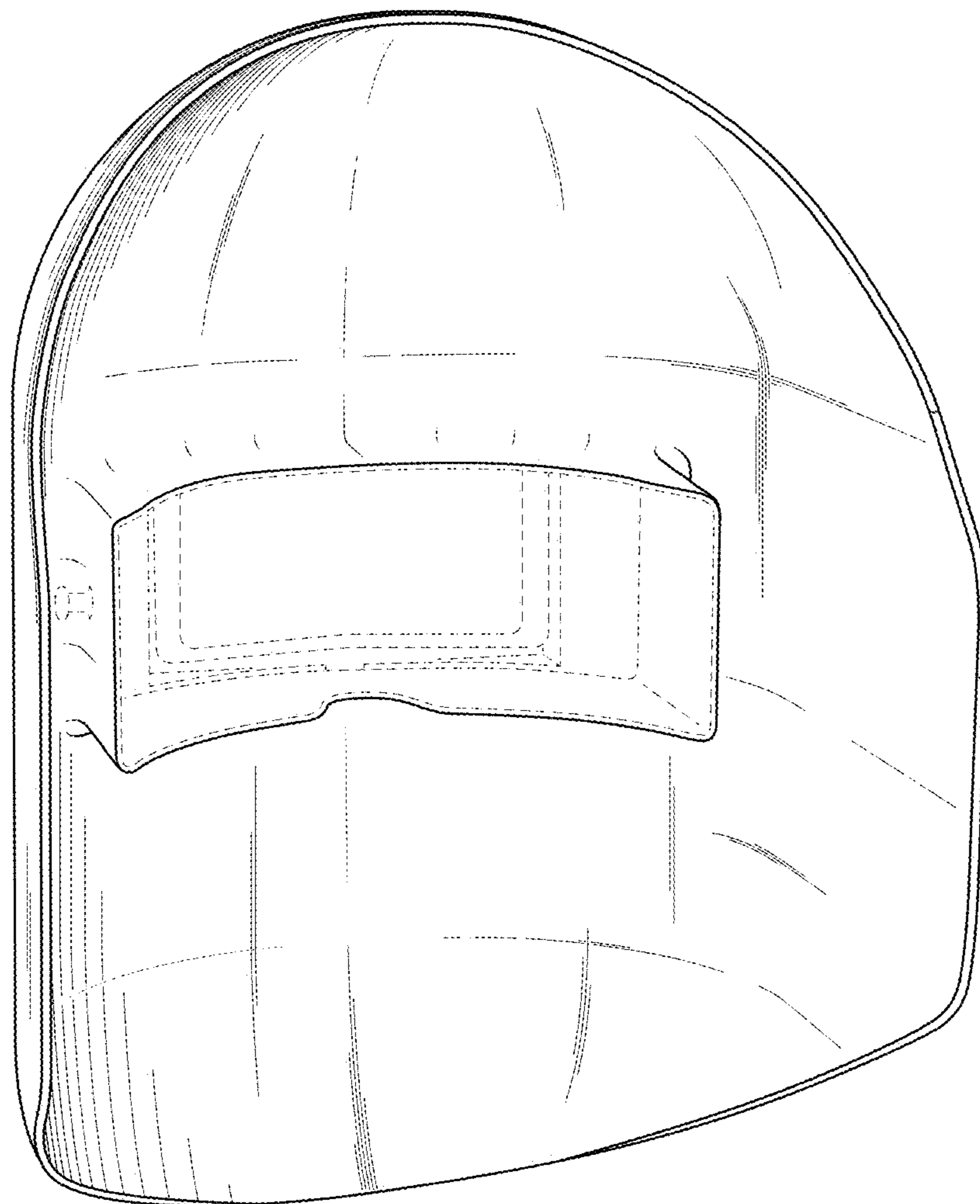


FIG. 2

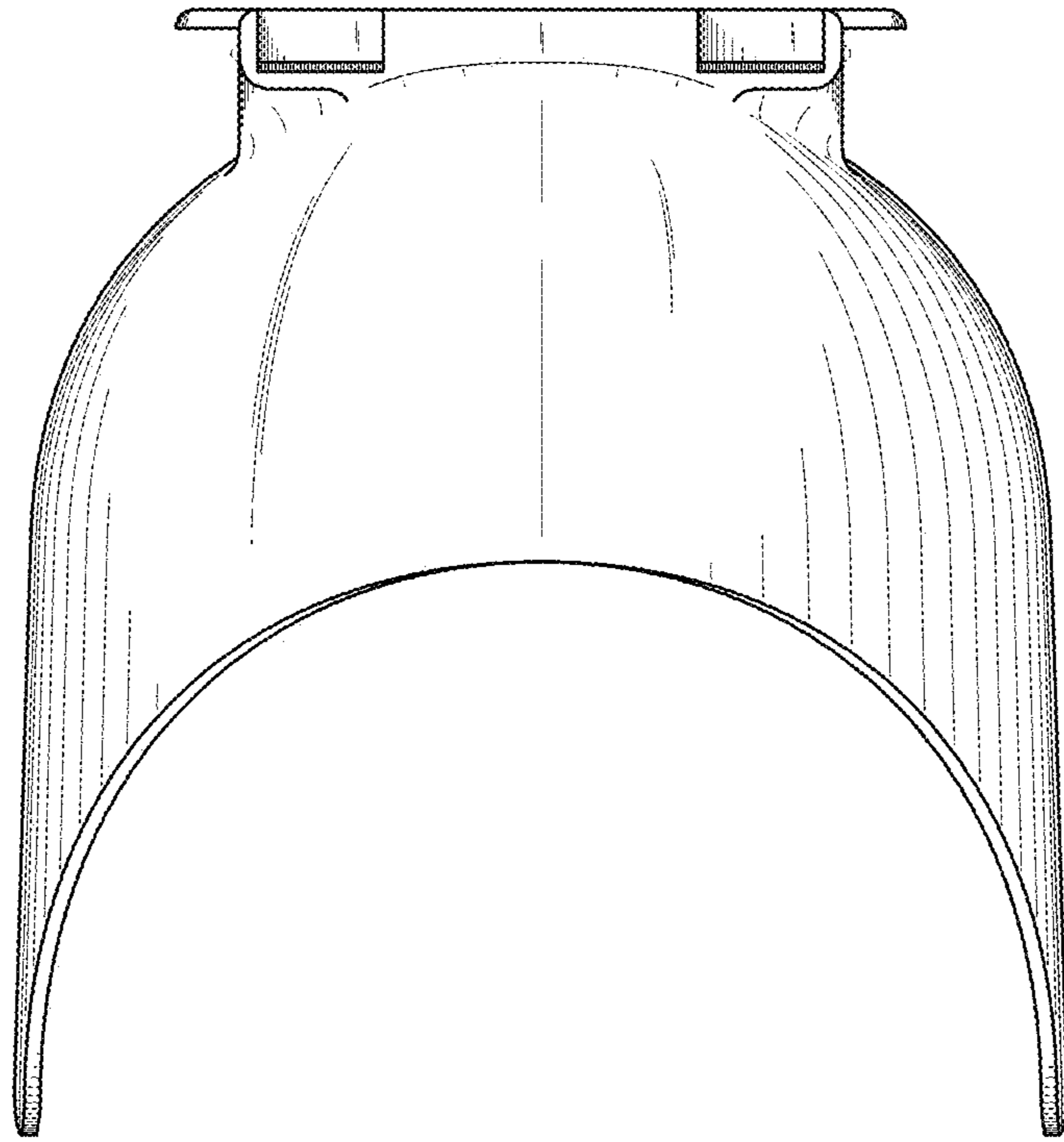


FIG. 3

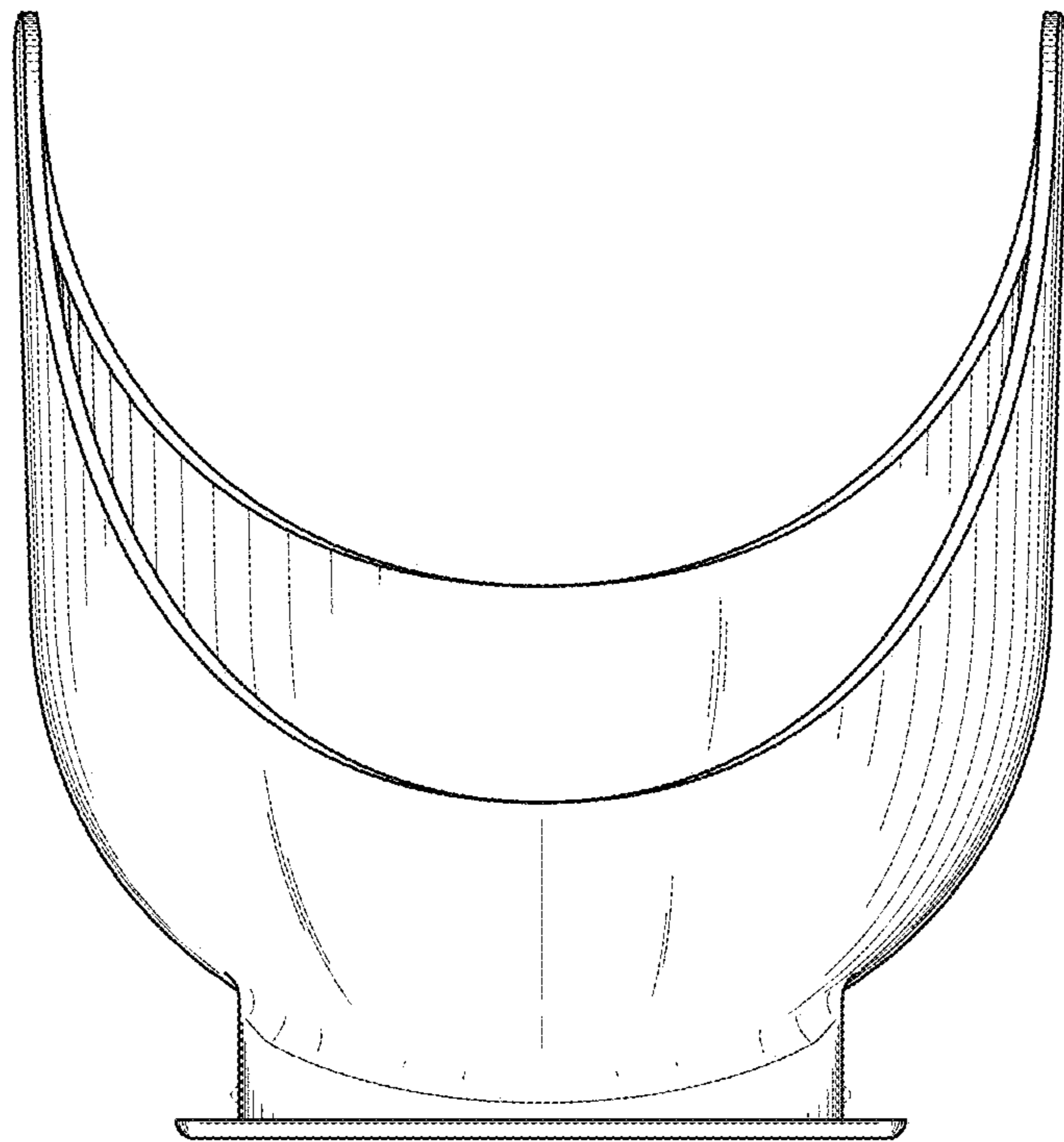


FIG. 4

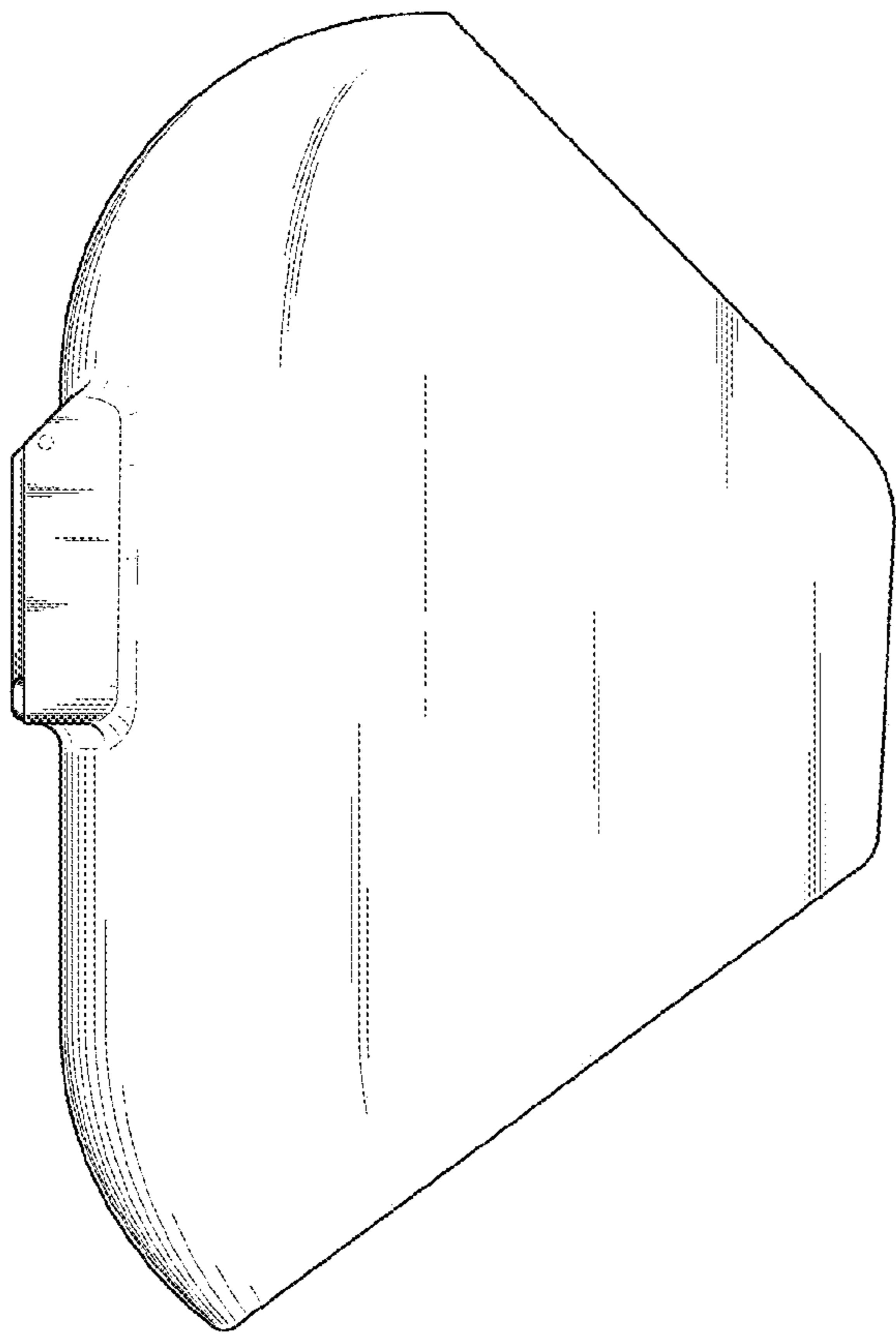


FIG. 5

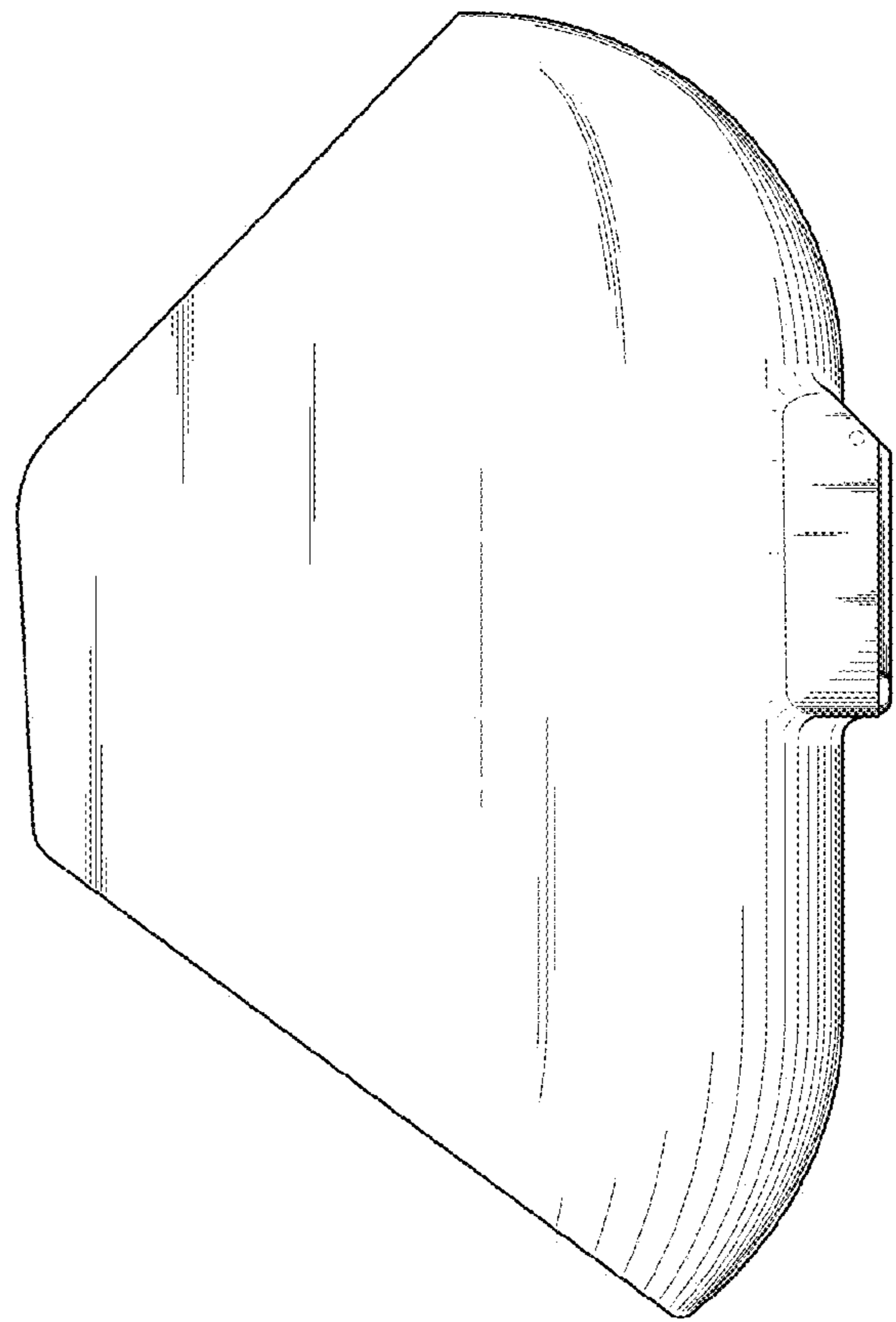


FIG. 6

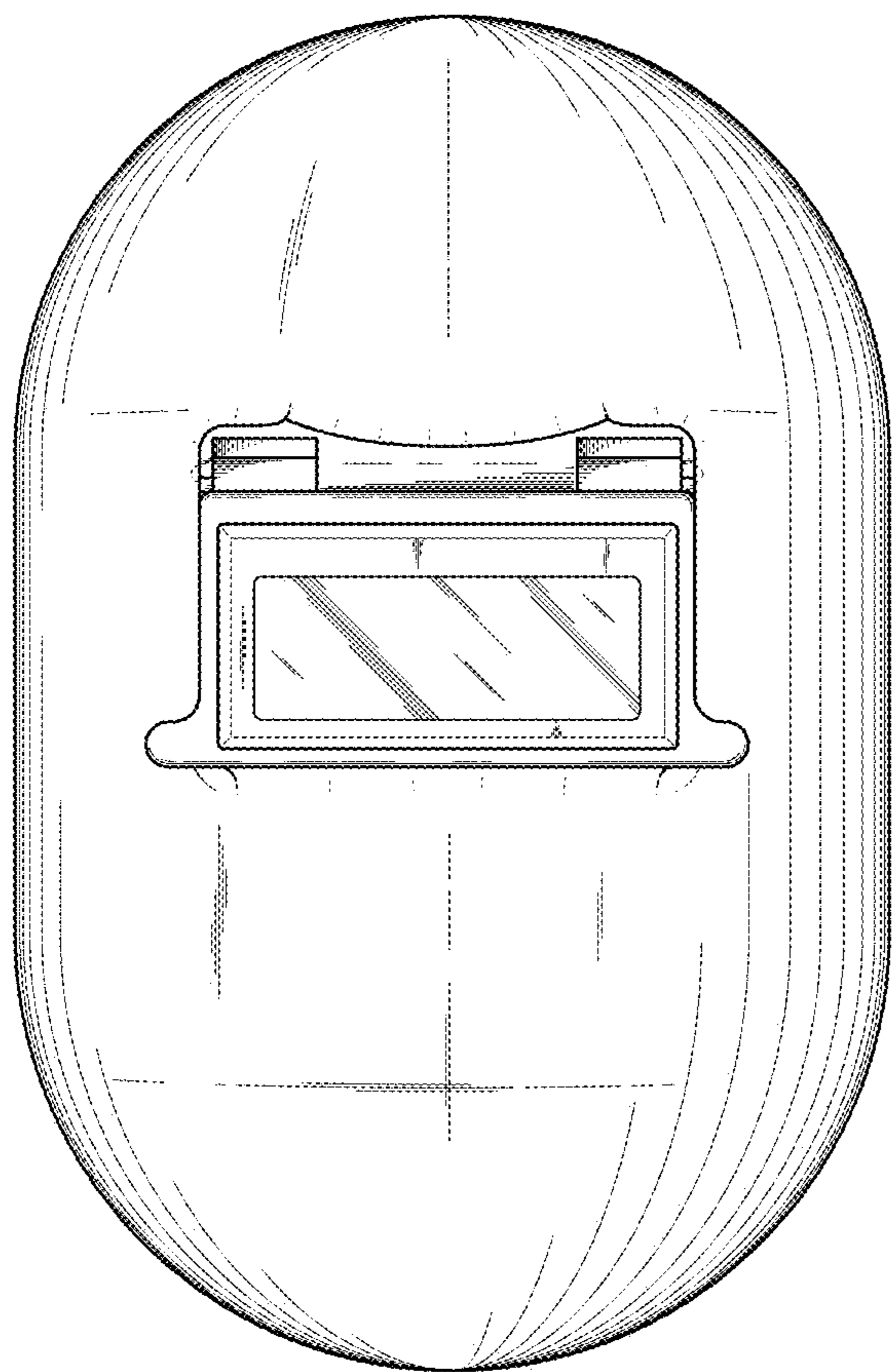


FIG. 7

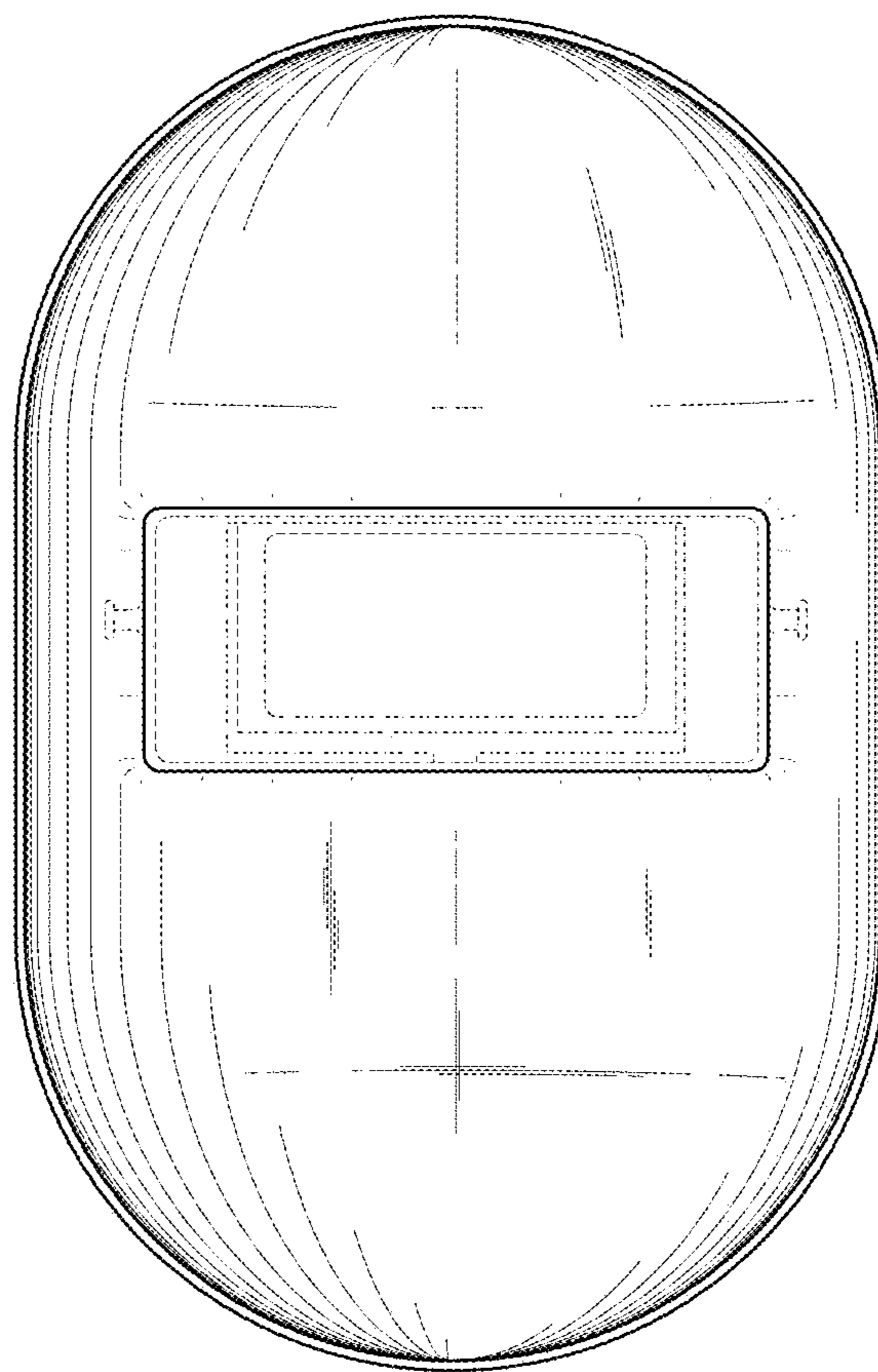


FIG. 8

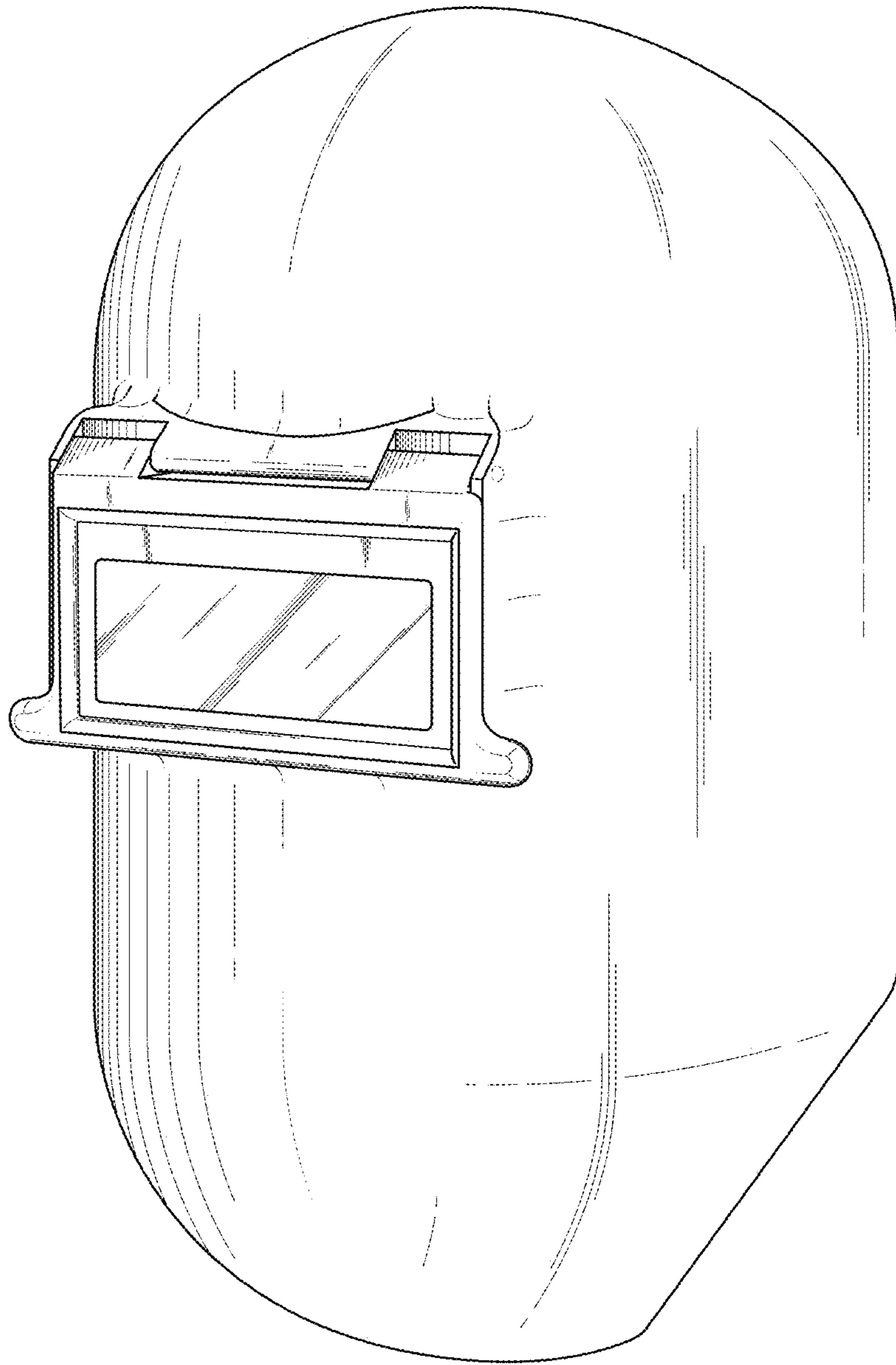


FIG. 9

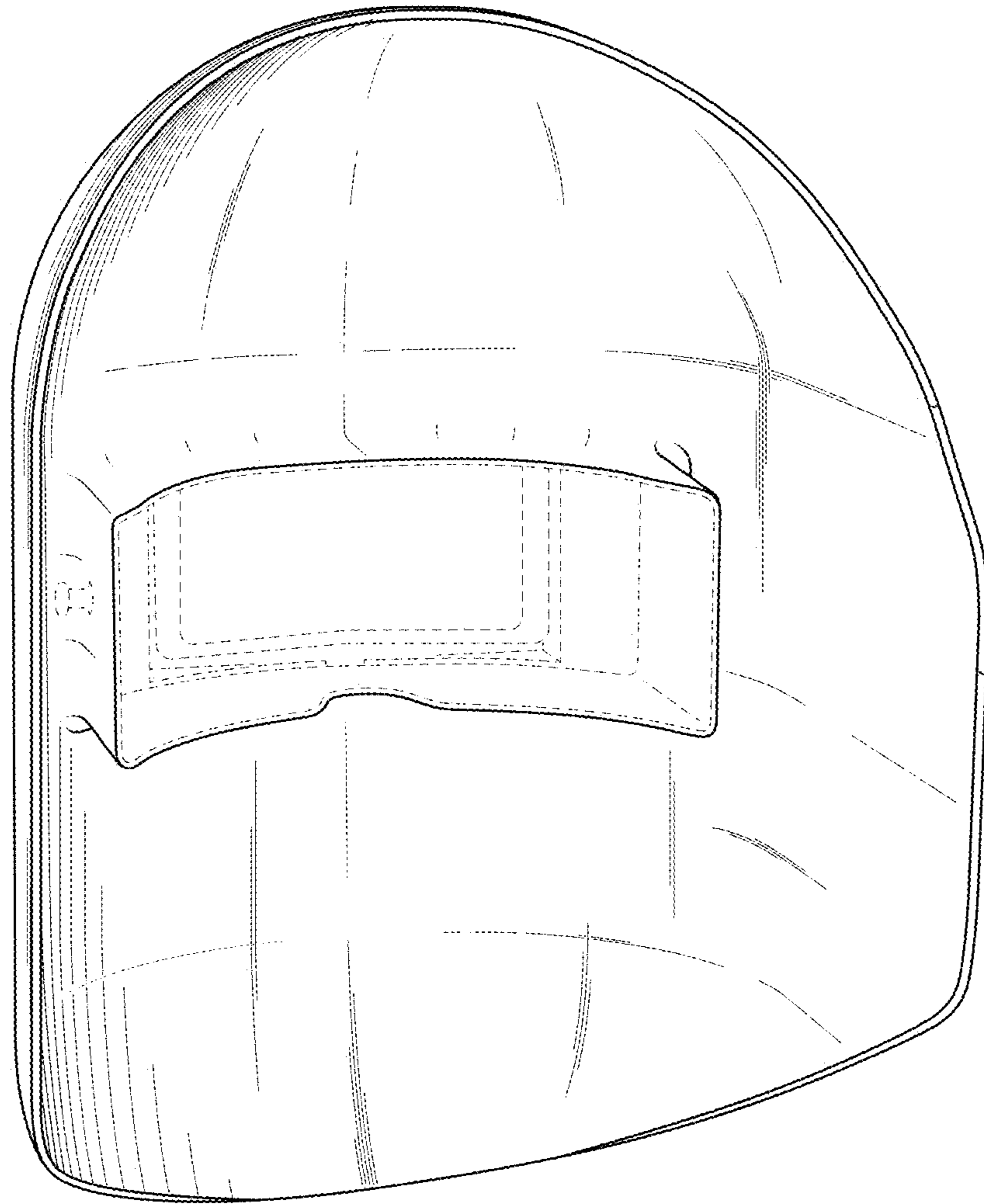


FIG. 10

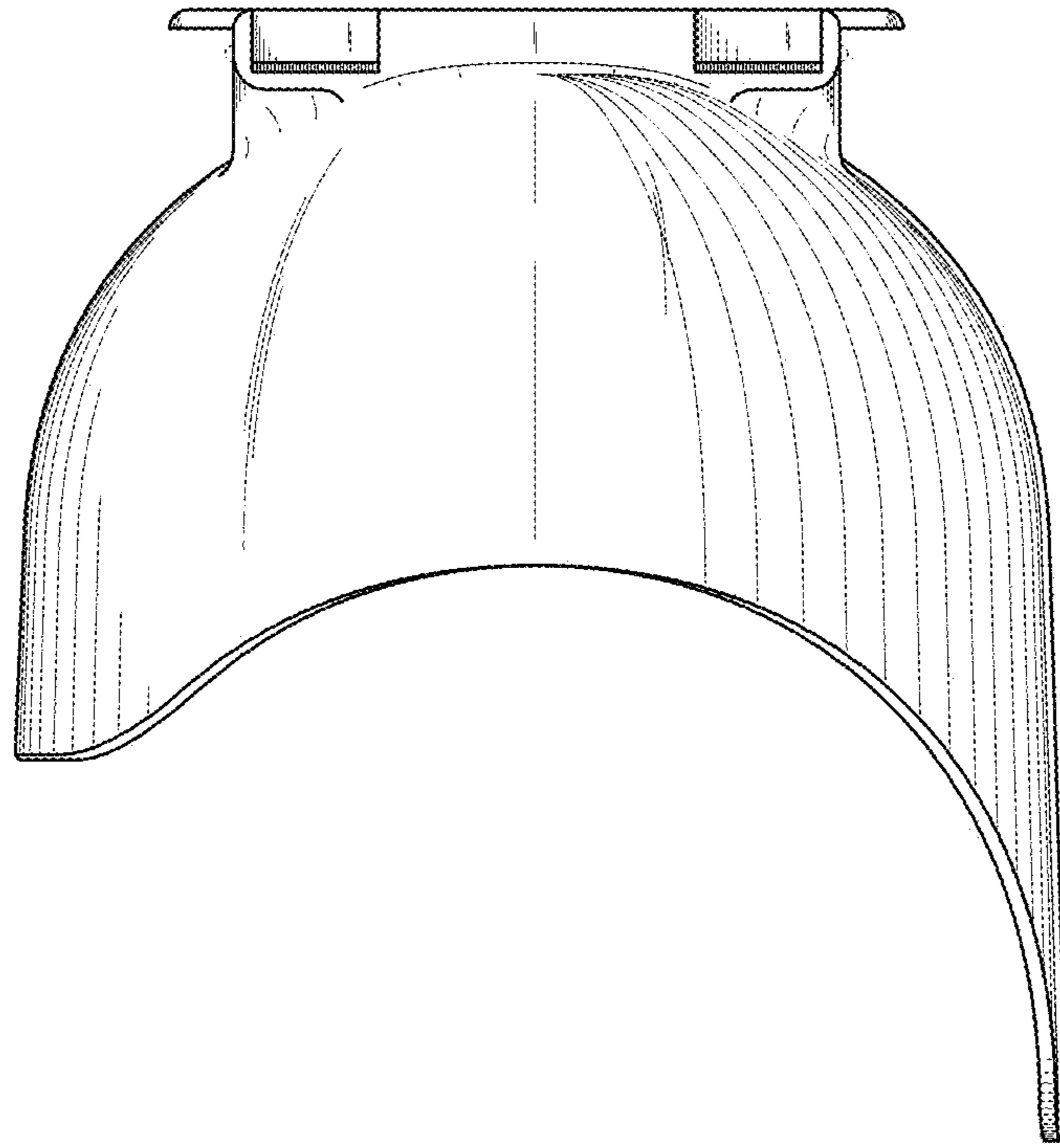


FIG. 11

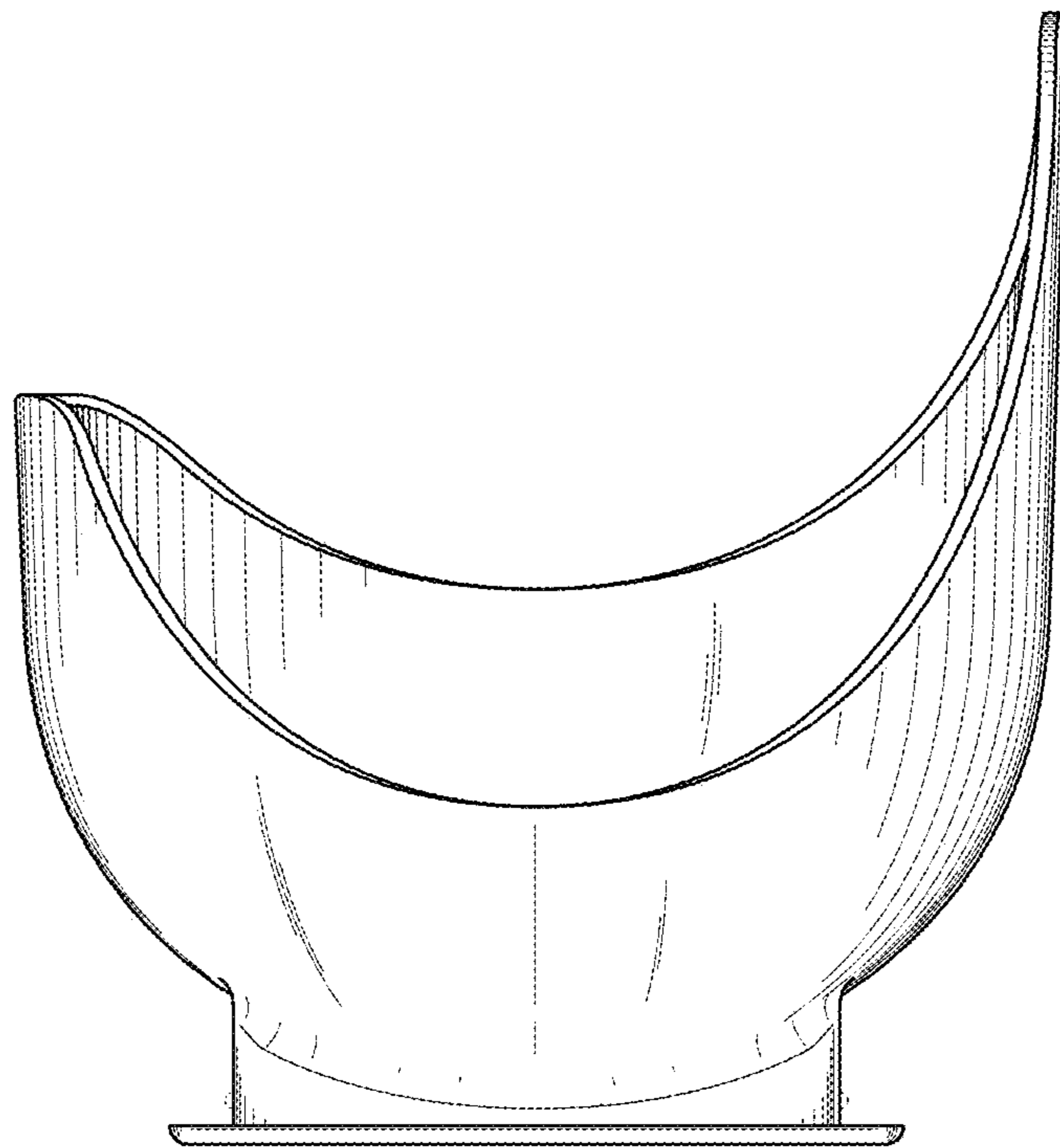


FIG. 12

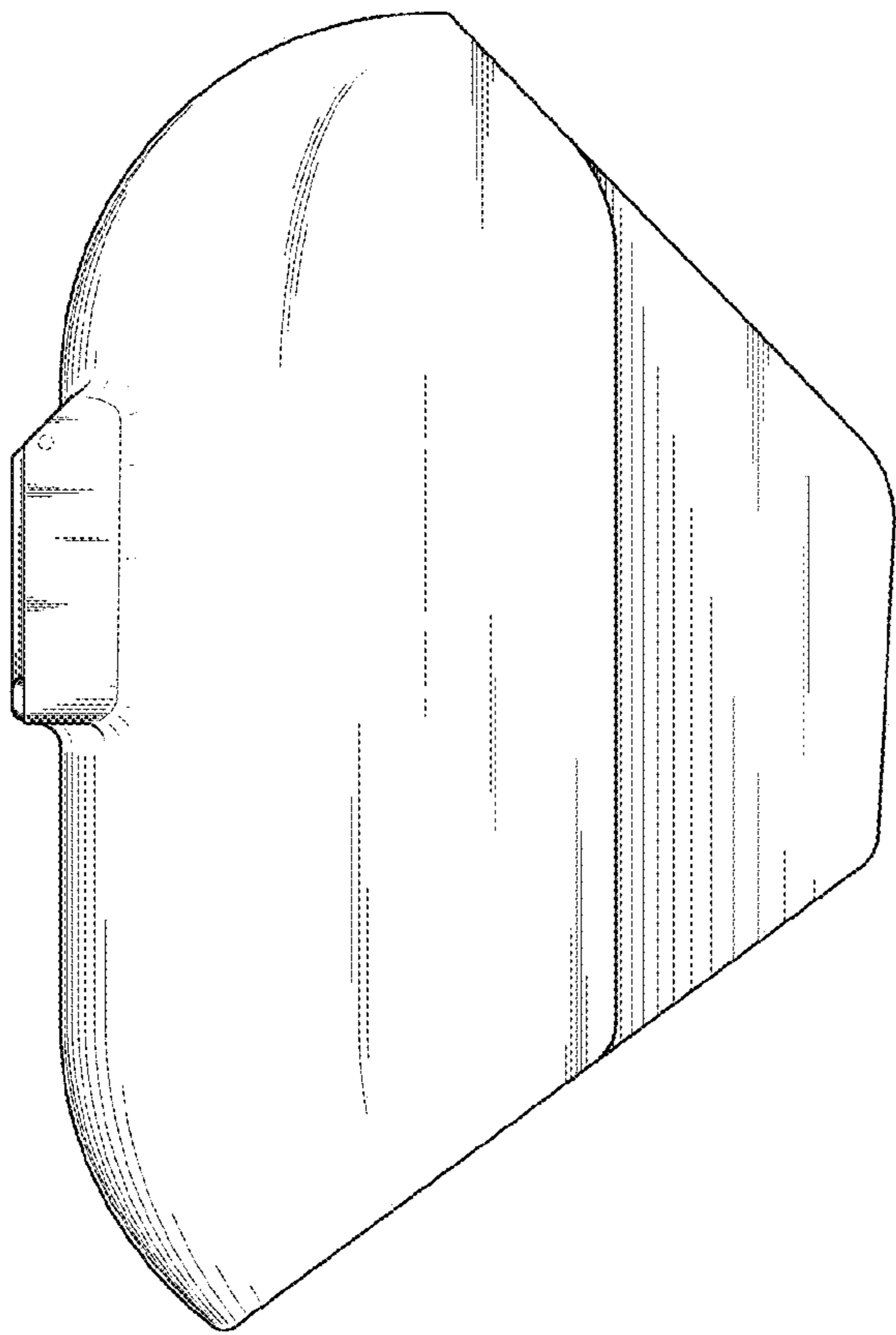


FIG. 13

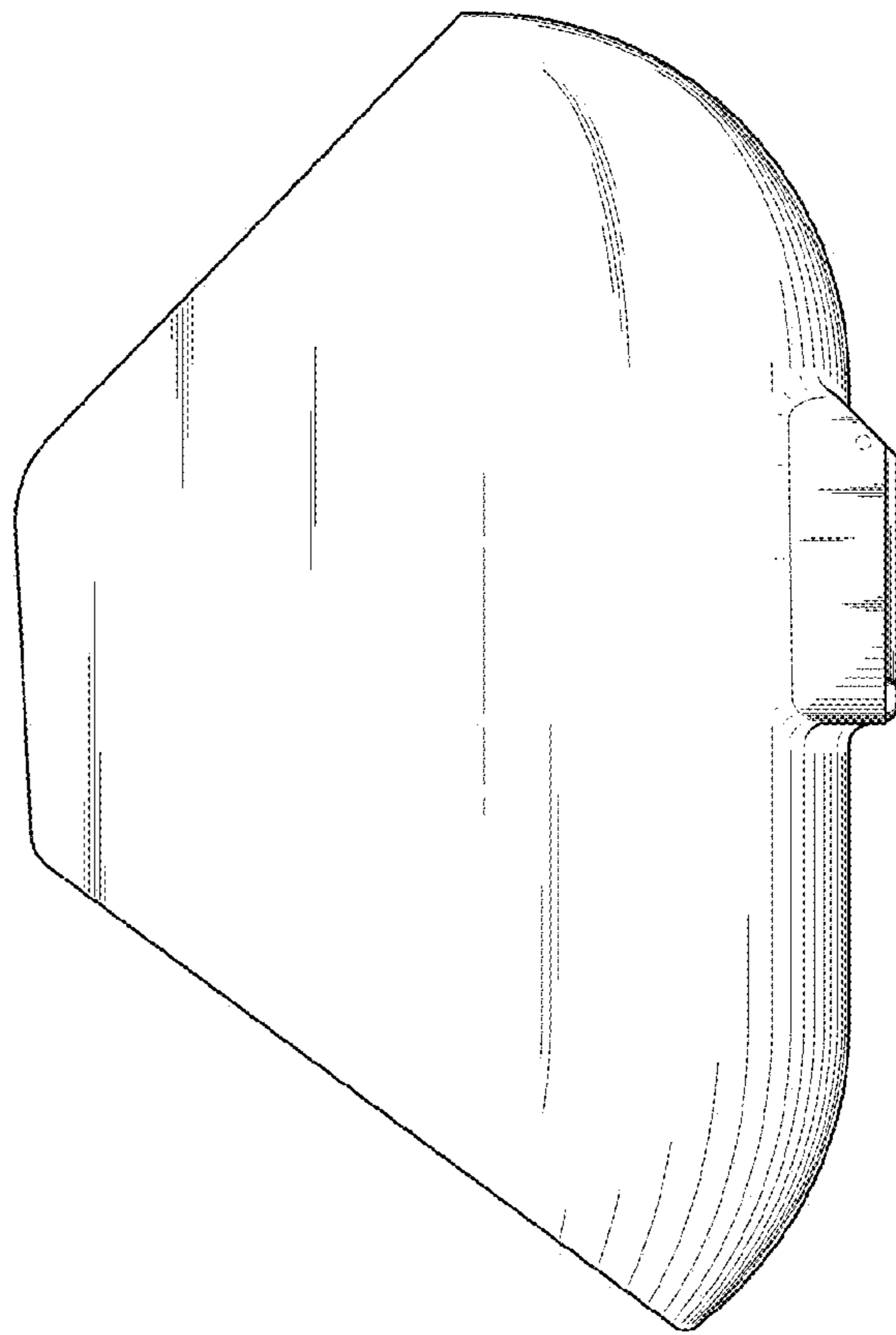


FIG. 14

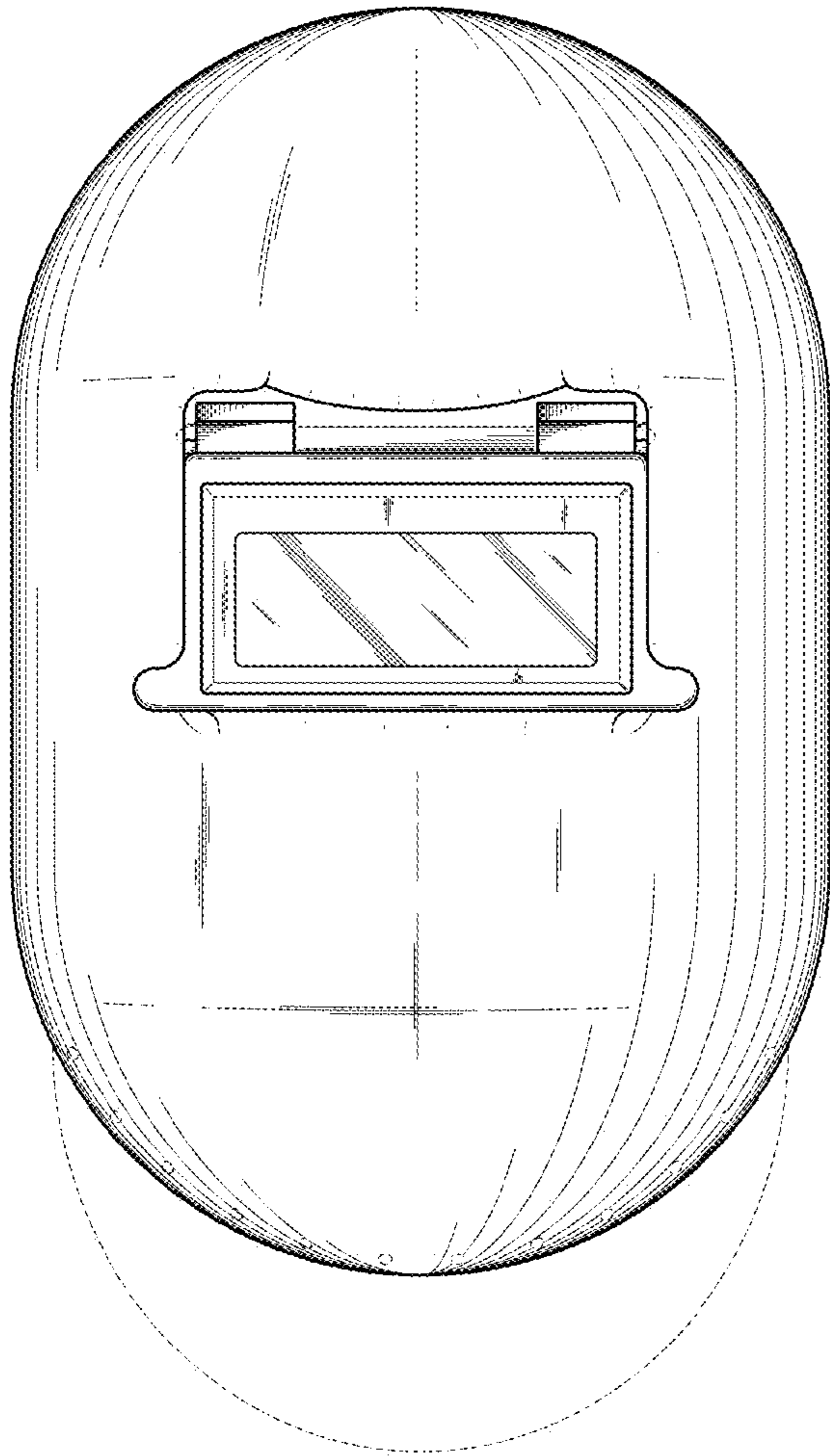


FIG. 15

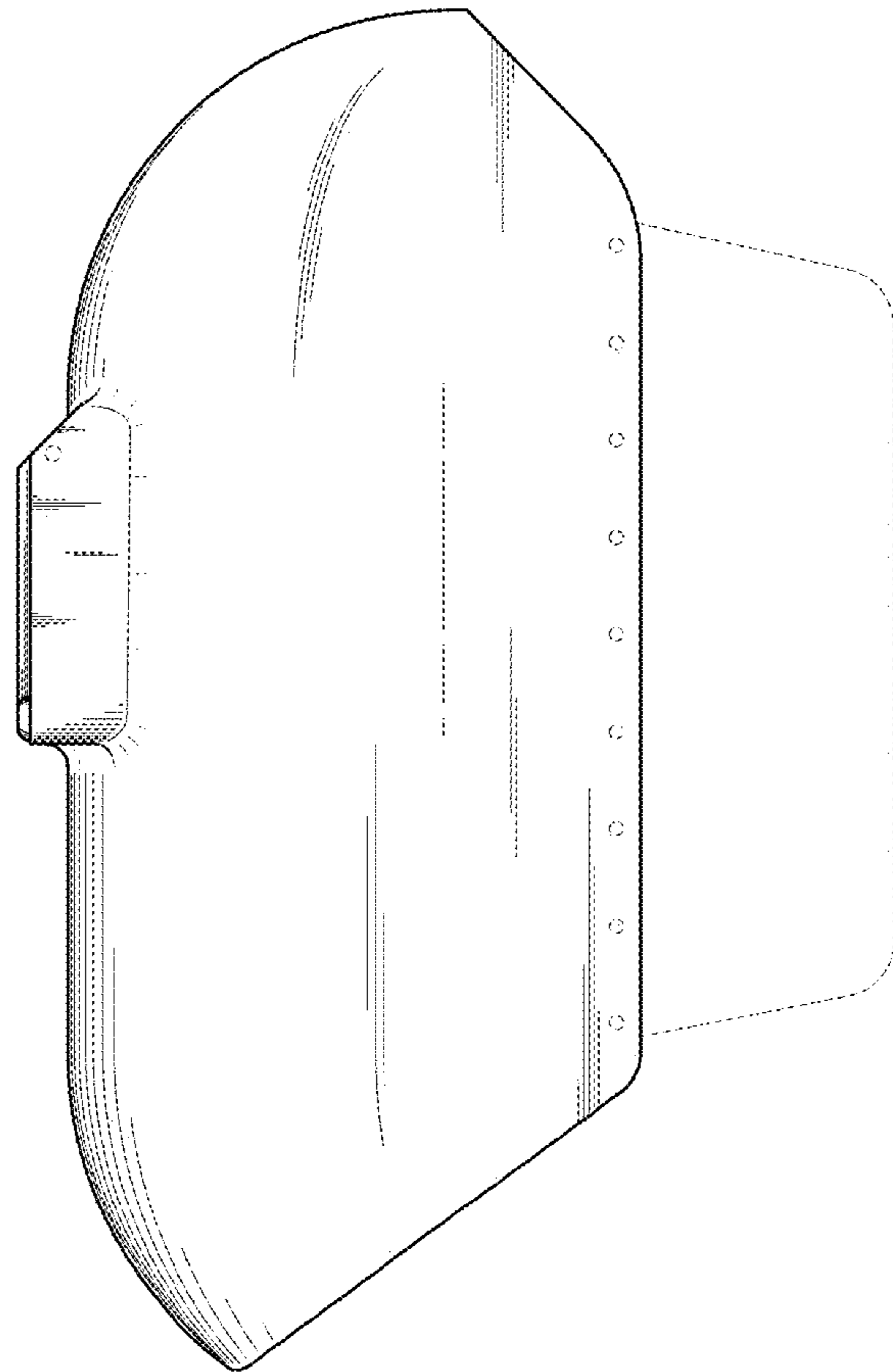


FIG. 16