



US00D925128S

(12) **United States Design Patent** (10) **Patent No.:** **US D925,128 S**
Yang et al. (45) **Date of Patent:** **** Jul. 13, 2021**

(54) **BACK SCRATCHER**

(71) Applicants: **Jinrui Yang**, Shenzhen (CN); **Haimiao Chen**, Jiujiang (CN)

(72) Inventors: **Jinrui Yang**, Shenzhen (CN); **Haimiao Chen**, Jiujiang (CN)

(**) Term: **15 Years**

(21) Appl. No.: **29/749,336**

(22) Filed: **Sep. 4, 2020**

(51) **LOC (13) Cl.** **28-99**

(52) **U.S. Cl.**
USPC **D28/91.2**

(58) **Field of Classification Search**
USPC D28/91.2
CPC A61H 2201/169-1695; A61H 2205/081;
A61H 11/00; A61H 7/00-003
See application file for complete search history.

(56) **References Cited**

U.S. PATENT DOCUMENTS

D890,997 S *	7/2020	Allen	D28/91.2
D908,287 S *	1/2021	Zheng	D28/91.2
2015/0157414 A1 *	6/2015	Van Curen	A61H 7/002 606/131
2016/0242991 A1 *	8/2016	Johnson	A61H 7/003
2017/0042755 A1 *	2/2017	Kelnhofer	A61H 7/003
2019/0110583 A1 *	4/2019	Duvall	A46B 5/0075

OTHER PUBLICATIONS

https://www.amazon.com/Oversized-Extendable-Scratcher-Stainless-Telescoping/dp/B088D85ZZD/ref=sr_1_1?dchild=1&keywords=

back+scratcher&qid=1613669242&s=hpc&sr=1-17 Oversized portable extendable backscratcher, www.amazon.com, 1 page, reviewed Aug. 2020 (Year: 2020).*
<https://www.amazon.com/Backscratchers-Scratcher-Bearclaw-Telescoping-Adjustable/dp/B07Q2RZZL2> Snowyee backscratcher, www.amazon.com, 1 page, reviewed Jul. 2019 (Year: 2019).*
https://www.amazon.com/Portable-Extendable-Scratcher-Stainless-Telescoping/dp/B07Q5ZVRTM/ref=sr_1_24?dchild=1&keywords=back%2Bscratcher&qid=1613670099&s=hpc&sr=1-24&th=1 2 pack backscratcher, www.amazon.com, 1 page, reviewed as early as Aug. 2019 (Year: 2019).*

* cited by examiner

Primary Examiner — Jennifer Rivard

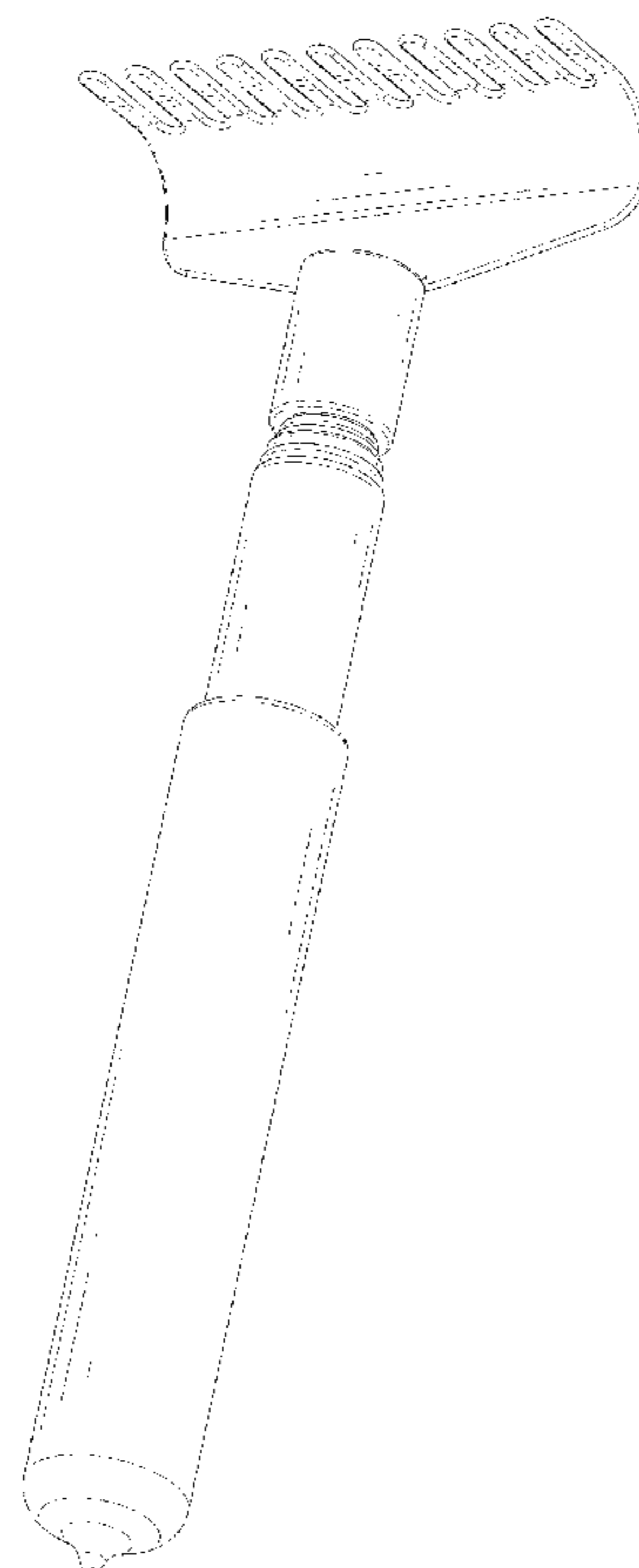
(57) **CLAIM**

The ornamental design for a back scratcher, as shown and described.

DESCRIPTION

FIG. 1 is a perspective view of a back scratcher showing my new design;
FIG. 2 is another perspective view thereof;
FIG. 3 is a front elevational view thereof;
FIG. 4 is a rear elevational view thereof;
FIG. 5 is a left side elevational view thereof;
FIG. 6 is a right side elevational view thereof;
FIG. 7 is a top plan view thereof;
FIG. 8 is a bottom plan view thereof; and,
FIG. 9 is a perspective view of the back scratcher where the back scratcher is in a configuration of use.
The broken lines in the drawings depict portions of the back scratcher that form no part of the claimed design.

1 Claim, 9 Drawing Sheets



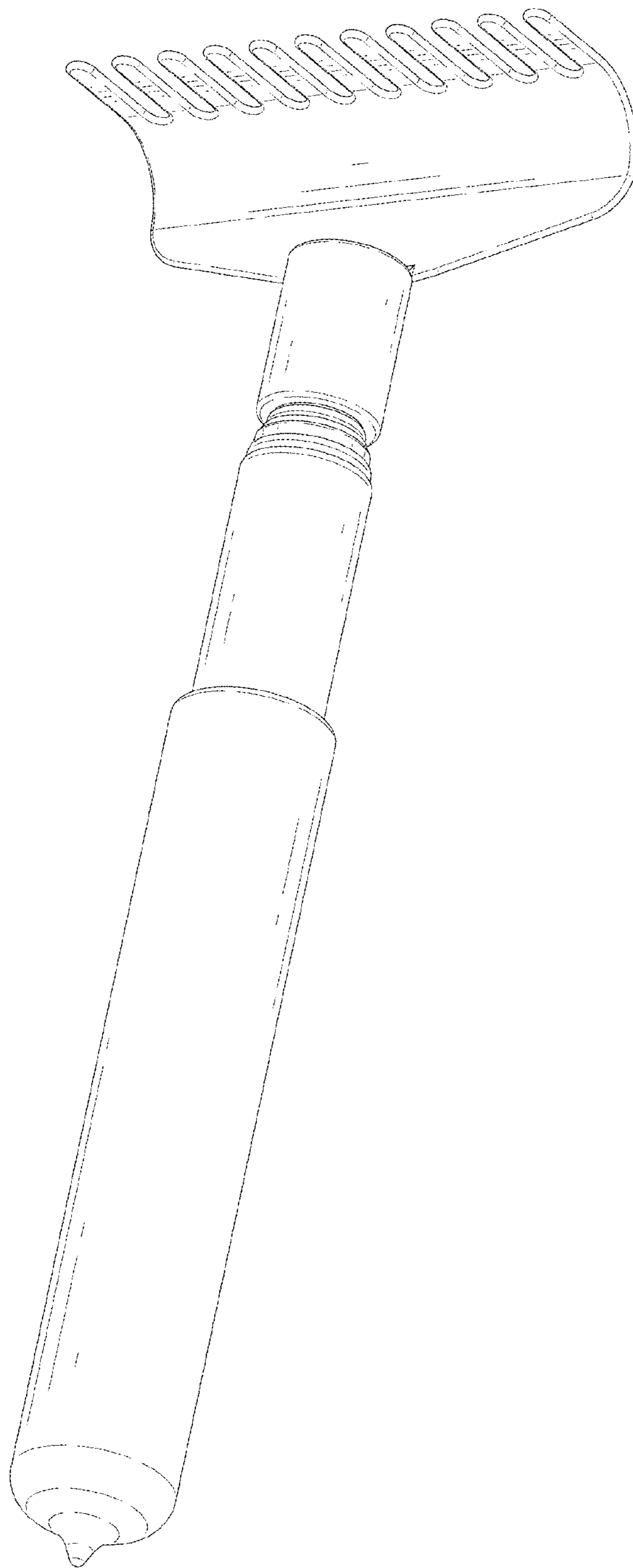


FIG. 1

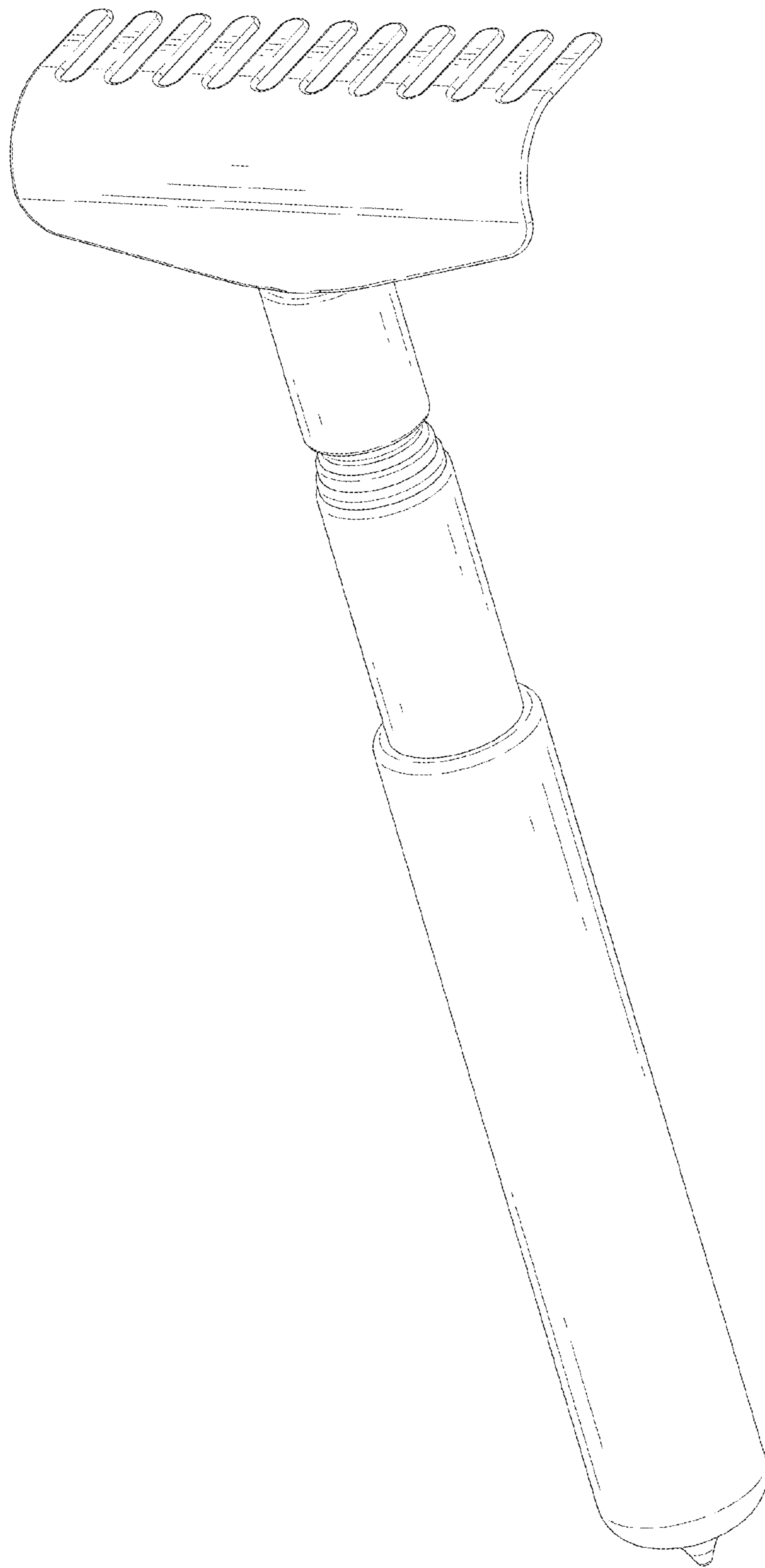


FIG. 2

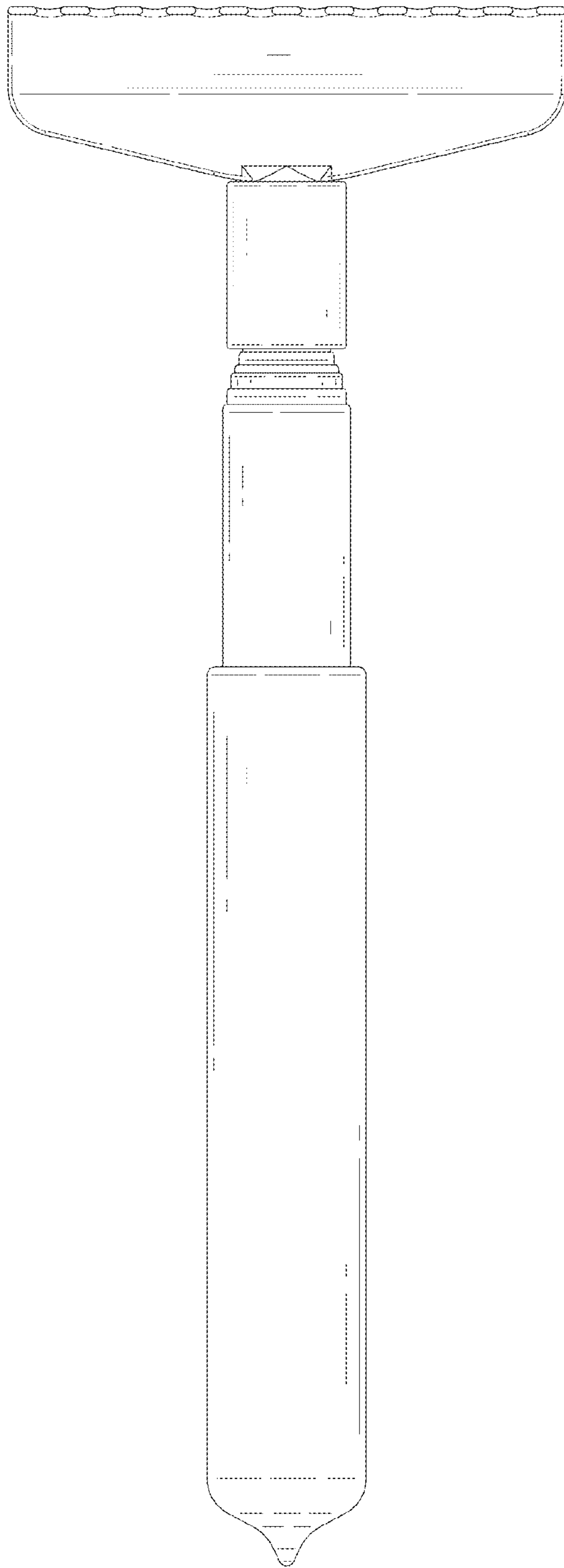


FIG. 3

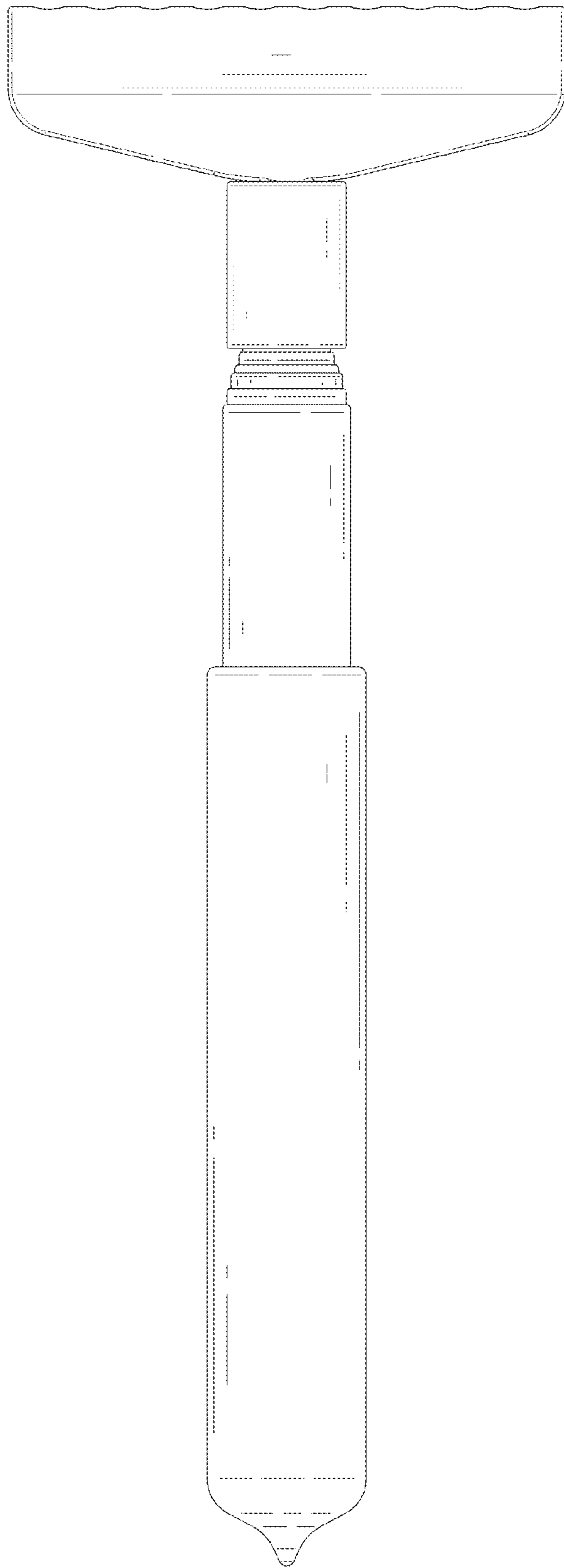


FIG. 4

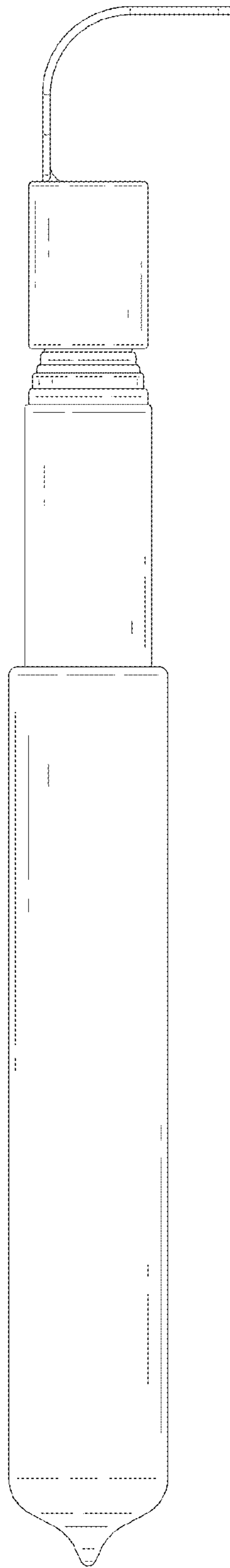


FIG. 5

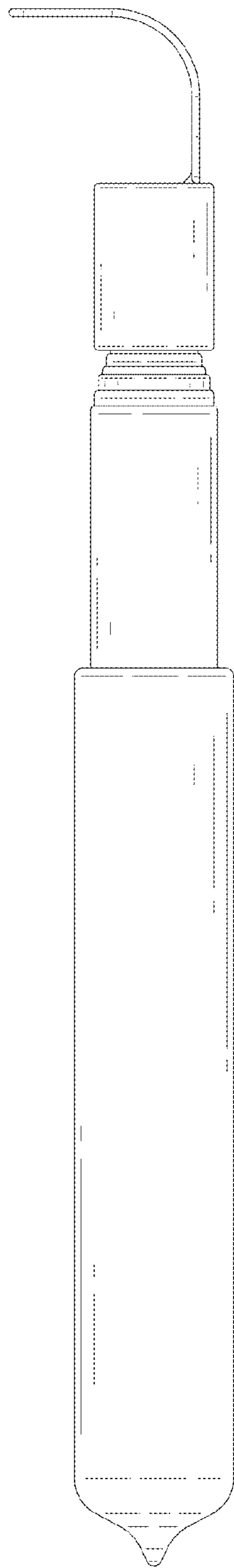


FIG. 6

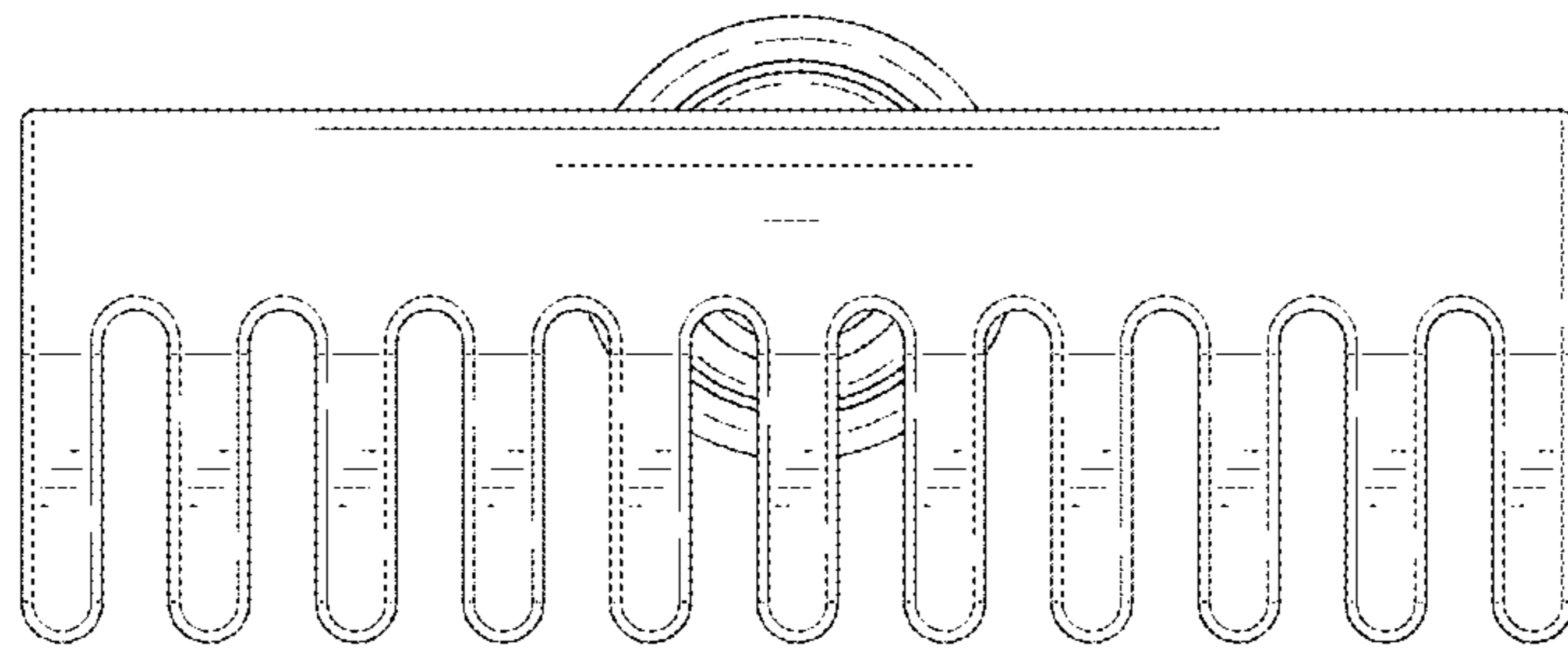


FIG. 7

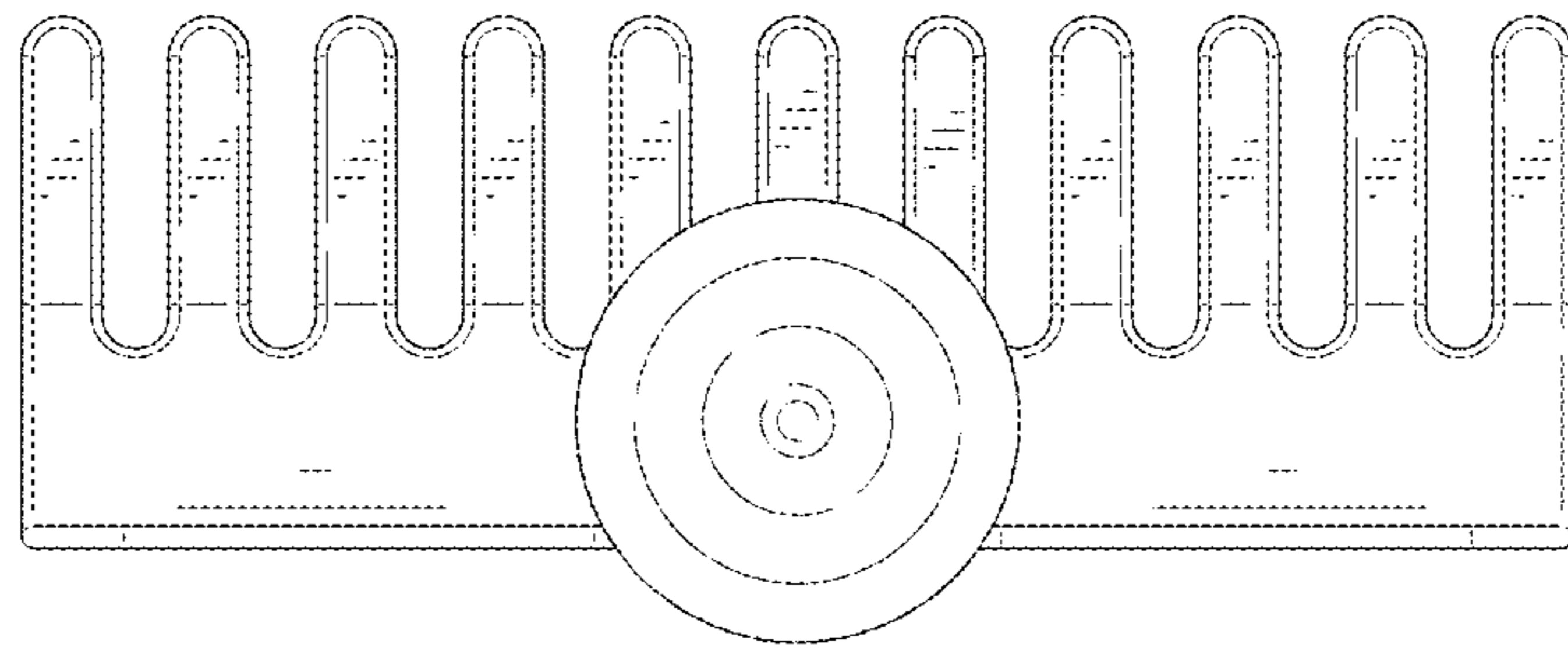


FIG. 8

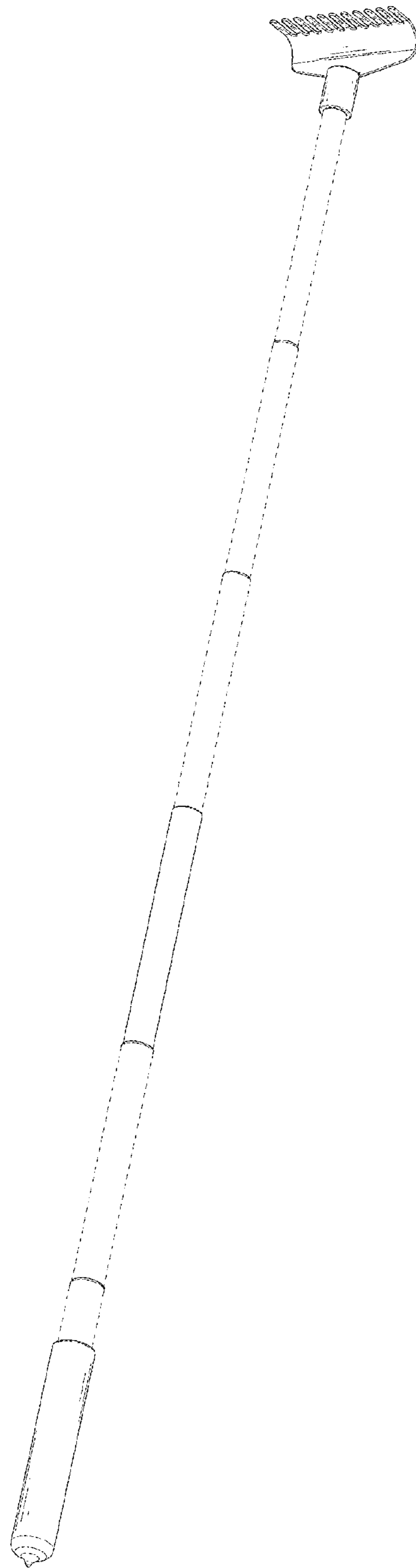


FIG. 9