



US00D925127S

(12) **United States Design Patent** (10) **Patent No.:** **US D925,127 S**  
**McGrath** (45) **Date of Patent:** **\*\* Jul. 13, 2021**

- (54) **COSMETIC CASING**
- (71) Applicant: **Pat McGrath Cosmetics LLC**, New York, NY (US)
- (72) Inventor: **Patricia McGrath**, New York, NY (US)
- (73) Assignee: **Pat McGrath Cosmetics LLC**, New York, NY (US)
- (\*\*) Term: **15 Years**
- (21) Appl. No.: **29/679,359**
- (22) Filed: **Feb. 5, 2019**
- (51) **LOC (13) Cl.** ..... **28-03**
- (52) **U.S. Cl.**  
USPC ..... **D28/89**; D28/76
- (58) **Field of Classification Search**  
USPC ..... D28/76-77, 85-90, 7; D9/529, 572-573, D9/504  
CPC .. A45D 40/262-268; A45D 2200/1072; A45D 34/042-048; A45D 34/06; A45D 40/18; A46B 5/0008; A46B 9/021; A46B 2200/1046; A46B 2200/1053  
See application file for complete search history.

- 2004/0018037 A1\* 1/2004 Gueret ..... A46D 1/0238 401/126
- 2020/0245744 A1\* 8/2020 Park ..... A45D 34/042
- 2020/0268126 A1\* 8/2020 Lin ..... A45D 40/20
- 2020/0323327 A1\* 10/2020 Bose ..... A45D 34/043

**OTHER PUBLICATIONS**

Pat McGrath Labs Lip Gloss, www.sephora.com, 1 page, reviewed as early as May 2018 (Year: 2018).\*

\* cited by examiner

*Primary Examiner* — Jennifer Rivard

(74) *Attorney, Agent, or Firm* — Ziegler IP Law Group, LLC

(57) **CLAIM**

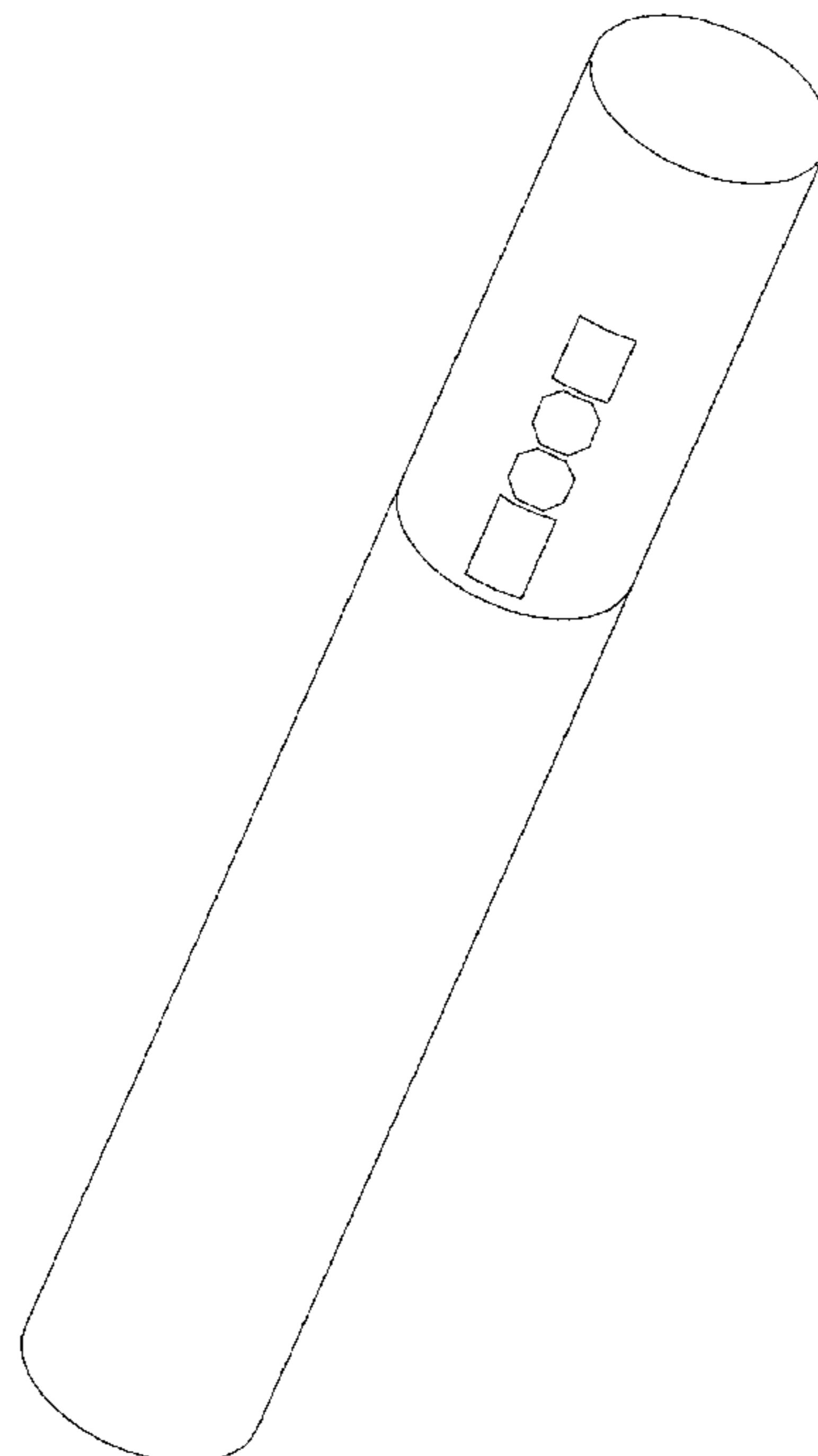
The ornamental design for a cosmetic casing, as shown and described.

**DESCRIPTION**

FIG. 1 is a perspective view of a cosmetic casing in a closed state showing the new design;  
 FIG. 2 is a front view of the cosmetic casing of FIG. 1;  
 FIG. 3 is a back view of the cosmetic casing of FIG. 1;  
 FIG. 4 is a side view of the cosmetic casing of FIG. 1;  
 FIG. 5 is an other side view of the cosmetic casing of FIG. 1;  
 FIG. 6 is a top view of the cosmetic casing of FIG. 1;  
 FIG. 7 is a bottom view of the cosmetic casing of FIG. 1;  
 and,  
 FIG. 8 is a perspective view of a cosmetic casing in an open state showing the new design.  
 The broken lines illustrate a portion of the cosmetic casing and form no part of the claimed design.

**1 Claim, 8 Drawing Sheets**

- (56) **References Cited**  
U.S. PATENT DOCUMENTS  
6,523,548 B2\* 2/2003 Bouix ..... A45D 40/265 132/218  
D616,608 S \* 5/2010 Maddy ..... D28/76  
8,245,714 B2\* 8/2012 Malvar ..... A46B 13/02 132/118  
9,439,498 B1\* 9/2016 Eversley ..... A45D 40/18  
9,538,829 B2\* 1/2017 Chung ..... A45D 34/046



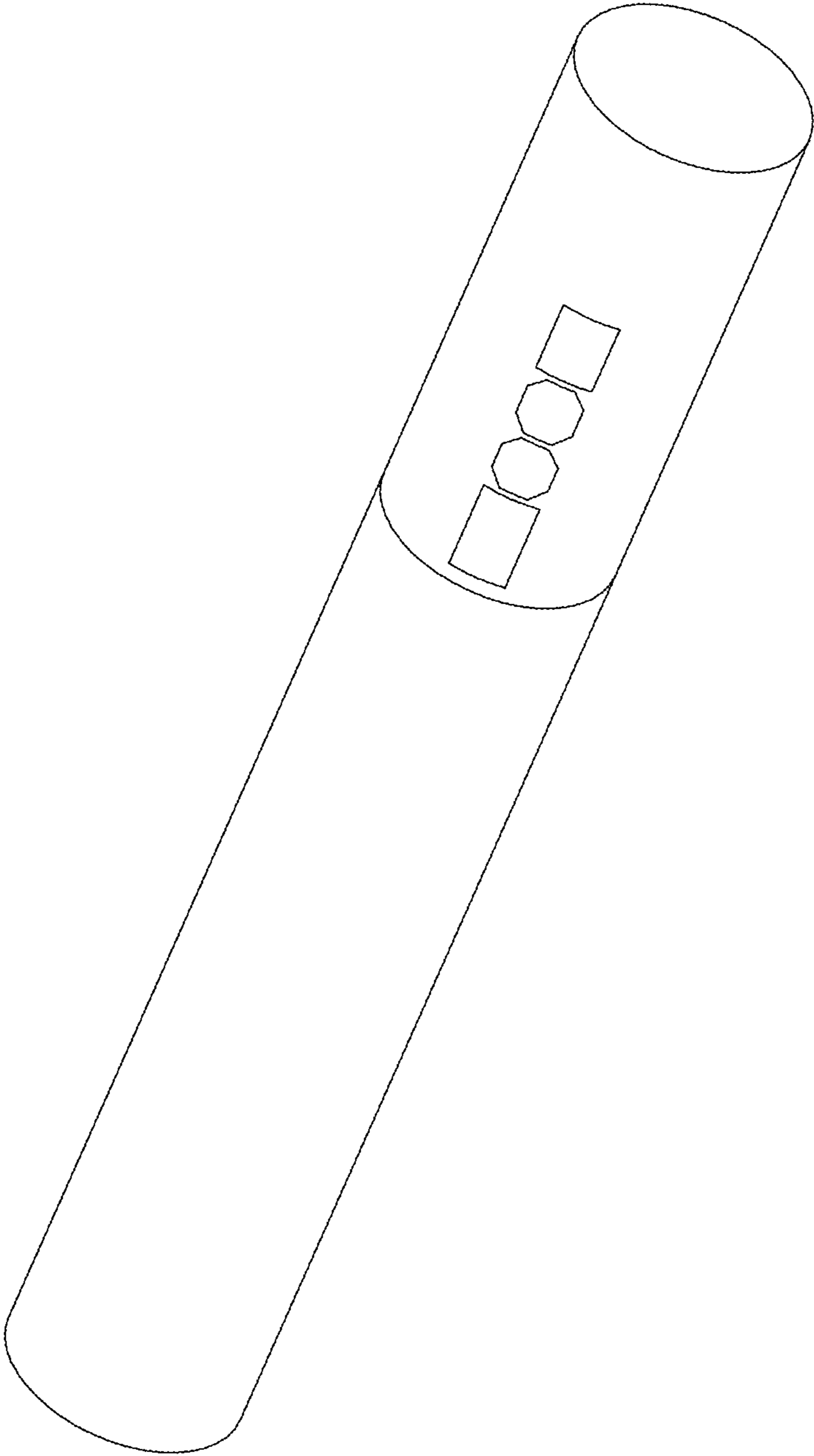


FIG. 1

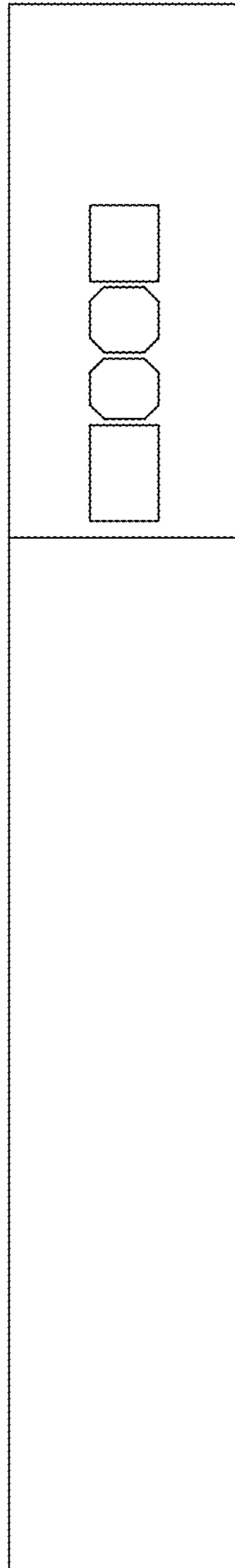


FIG. 2

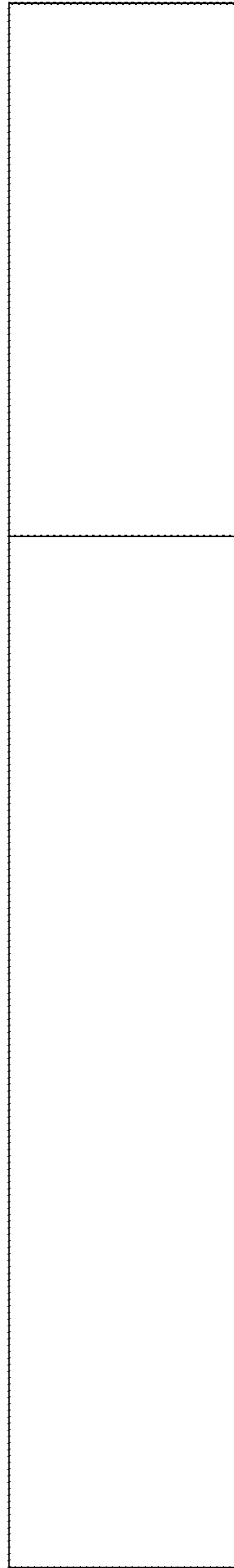


FIG. 3

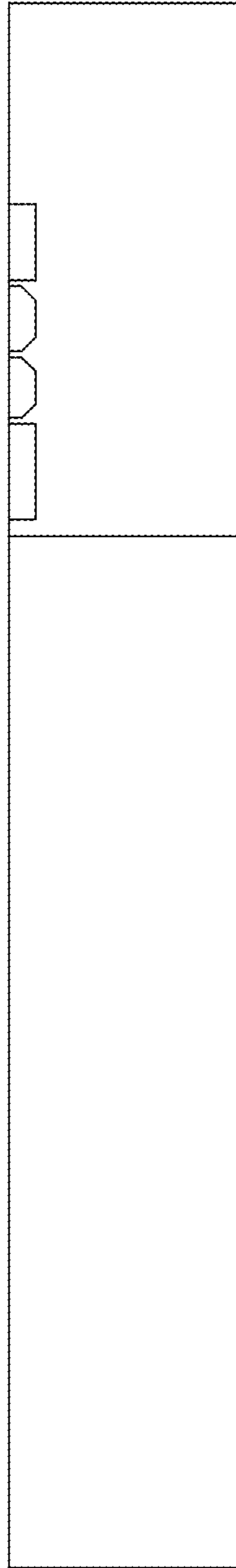


FIG. 4

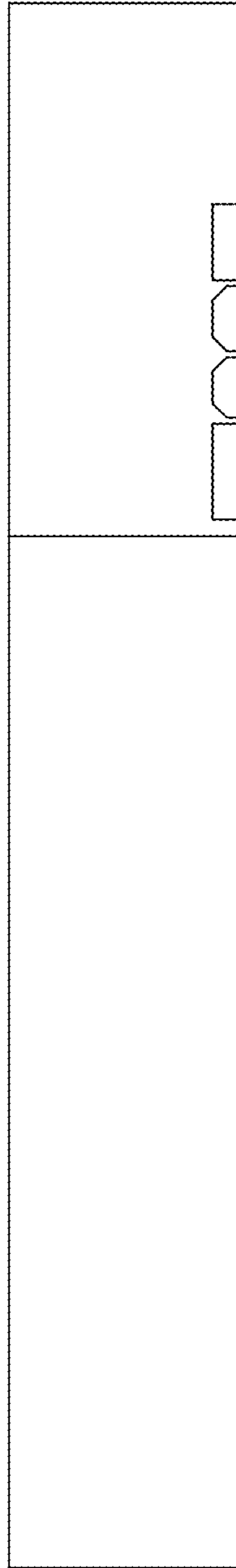


FIG. 5

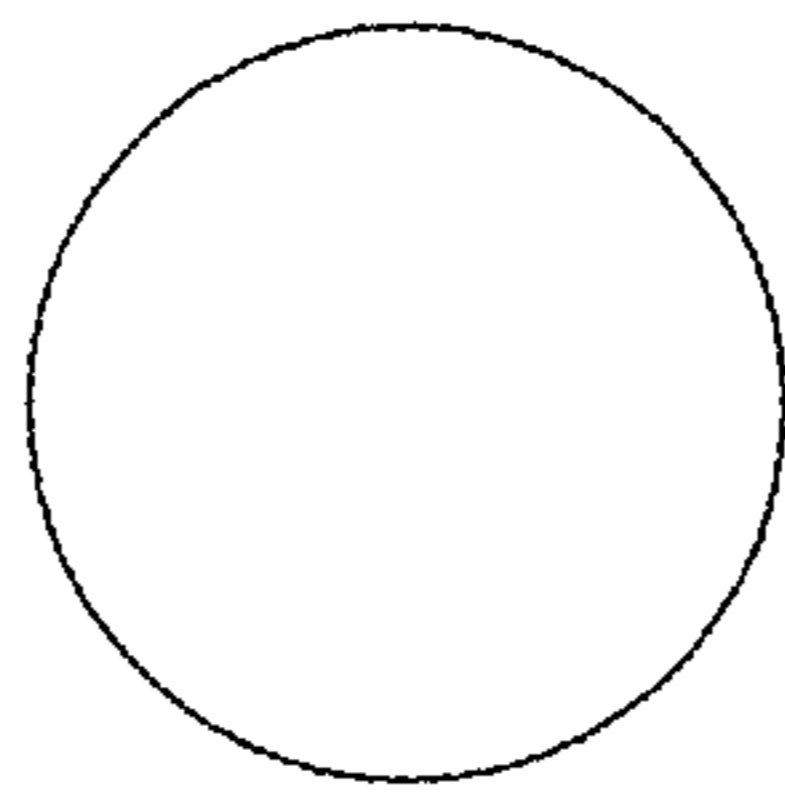


FIG. 6

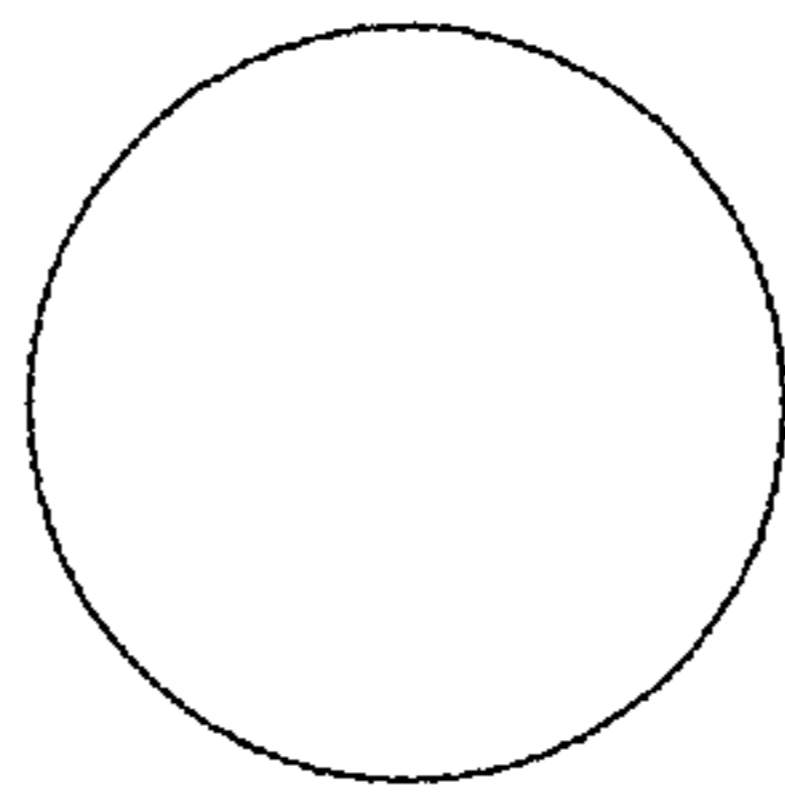


FIG. 7



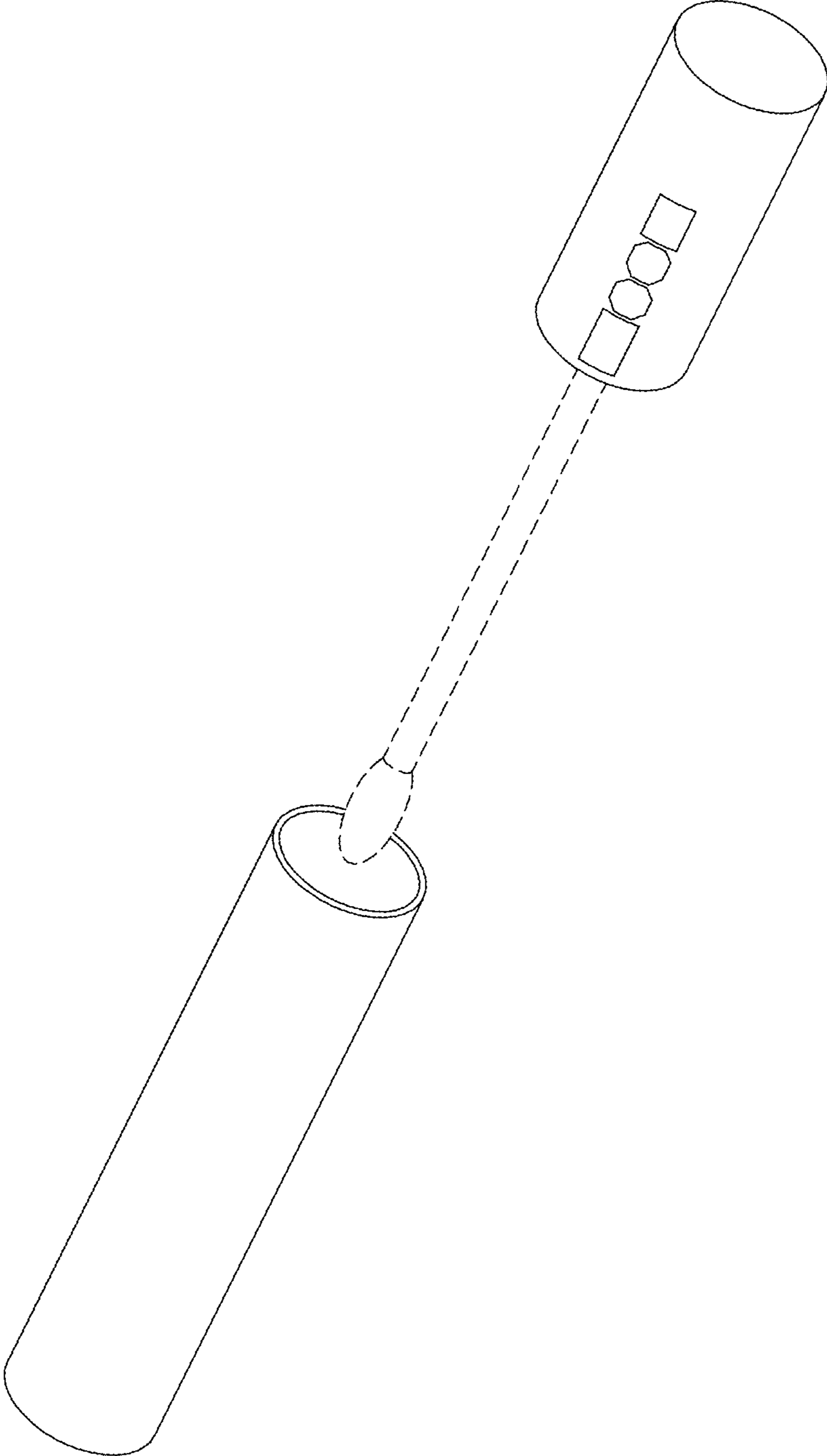


FIG. 8