



US00D925125S

(12) **United States Design Patent** (10) **Patent No.:** **US D925,125 S**  
**French-Artis** (45) **Date of Patent:** **\*\* \*Jul. 13, 2021**

(54) **ARTIFICIAL NAIL TIP PLUG**  
(71) Applicant: **Traska Janel French-Artis**, Oklahoma City, OK (US)  
(72) Inventor: **Traska Janel French-Artis**, Oklahoma City, OK (US)  
(\* ) Notice: This patent is subject to a terminal disclaimer.  
(\*\* ) Term: **15 Years**  
(21) Appl. No.: **29/650,967**  
(22) Filed: **Jun. 11, 2018**  
(51) **LOC (13) Cl.** ..... **28-03**  
(52) **U.S. Cl.**  
USPC ..... **D28/56**  
(58) **Field of Classification Search**  
USPC ..... D28/55-62, 99  
CPC ..... A45D 29/00; A45D 29/18; A45D 29/02;  
A45D 29/001; A45D 29/004; A45D  
29/023; A45D 29/16; A45D 29/03; A45D  
44/00  
See application file for complete search history.

2010/0242979 A1\* 9/2010 Chang ..... A45D 31/00  
132/73  
2011/0303237 A1\* 12/2011 Lieu ..... A45D 29/004  
132/285  
2014/0026914 A1\* 1/2014 Glass ..... A45D 31/00  
132/200  
2016/0338471 A1\* 11/2016 Kawano ..... A45D 44/005  
2018/0116366 A1\* 5/2018 Nakashima ..... A47F 7/00

**OTHER PUBLICATIONS**

Pre-made Tips Make Aquarium Nails Easy, article published Sep. 10, 2018, retrieved on Apr. 30, 2019, retrieved from the Internet URL: <https://www.nailsmag.com/article/123410/pre-made-tips-make-aquarium-nails-easy>.\*

\* cited by examiner

*Primary Examiner* — Jennifer Rivard  
*Assistant Examiner* — Alison M Ofstun  
(74) *Attorney, Agent, or Firm* — Loza & Loza, LLP;  
Heidi Eisenhut

(57) **CLAIM**

The ornamental design for an artificial nail tip plug, as shown and described.

(56) **References Cited**

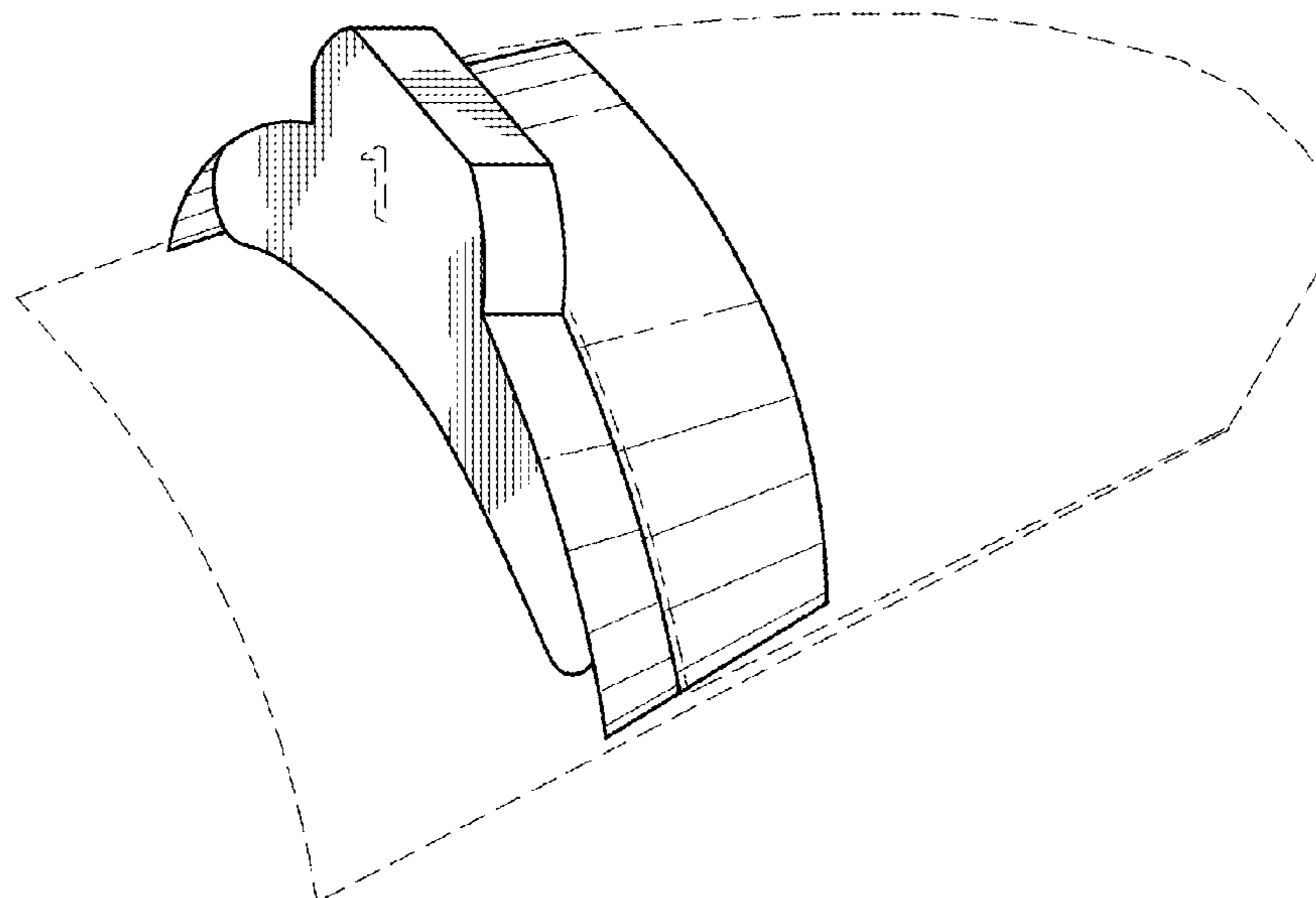
**U.S. PATENT DOCUMENTS**

2,220,363 A \* 11/1940 Austin ..... A45D 29/004  
132/319  
D400,304 S \* 10/1998 Stankovic ..... D28/57  
6,631,723 B1 \* 10/2003 Mullin ..... A45D 31/00  
132/73  
7,856,993 B2 \* 12/2010 French-Artis ..... A45D 31/00  
132/73  
D709,649 S \* 7/2014 Maraffi ..... D28/56  
9,060,585 B1 \* 6/2015 Tran ..... A45D 34/04  
D842,545 S \* 3/2019 Clifford ..... D28/56  
2007/0186949 A1 \* 8/2007 Boothe ..... A45D 29/00  
132/285

**DESCRIPTION**

FIG. 1 is a perspective view of an artificial nail tip plug showing my new design, shown in an environment of use; FIG. 2 shows another perspective view thereof, shown in a second environment of use; and, FIG. 3 is a top plan view thereof. In the drawings, the broken line showing a number “1” represents portions of the article which form no part of the claim. The remaining broken lines represent environmental subject matter. None of the broken lines form part of the claimed design.

**1 Claim, 3 Drawing Sheets**



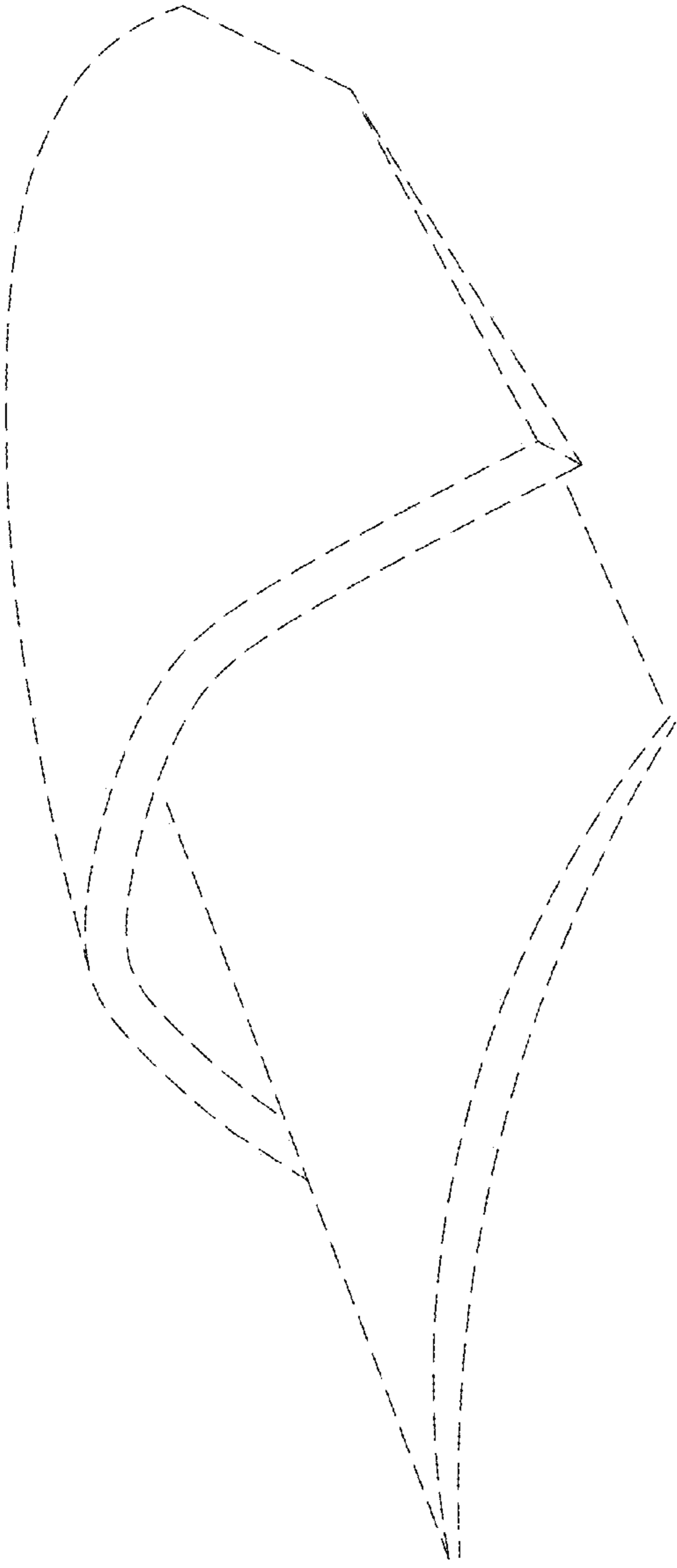
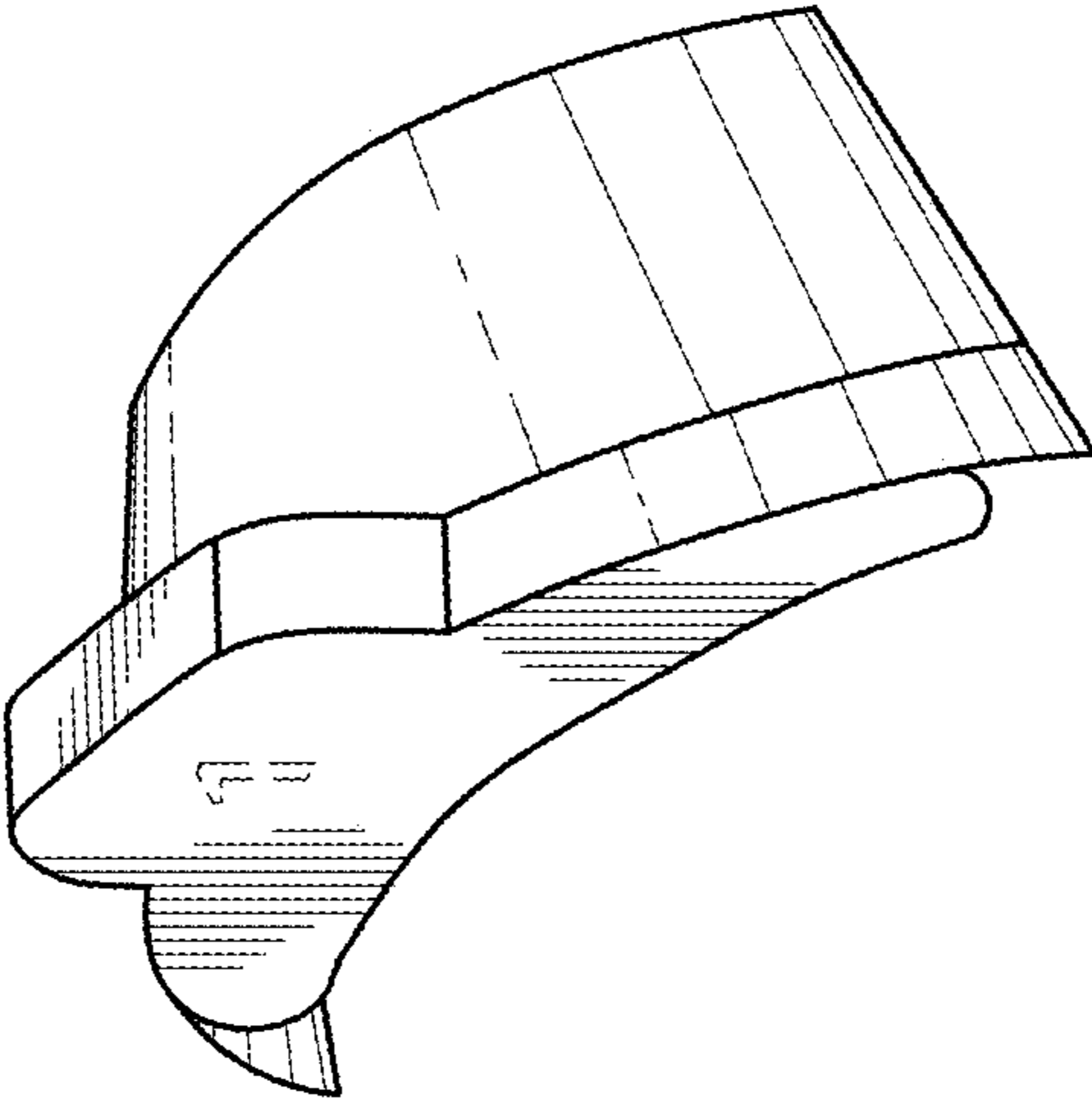


FIG. 1



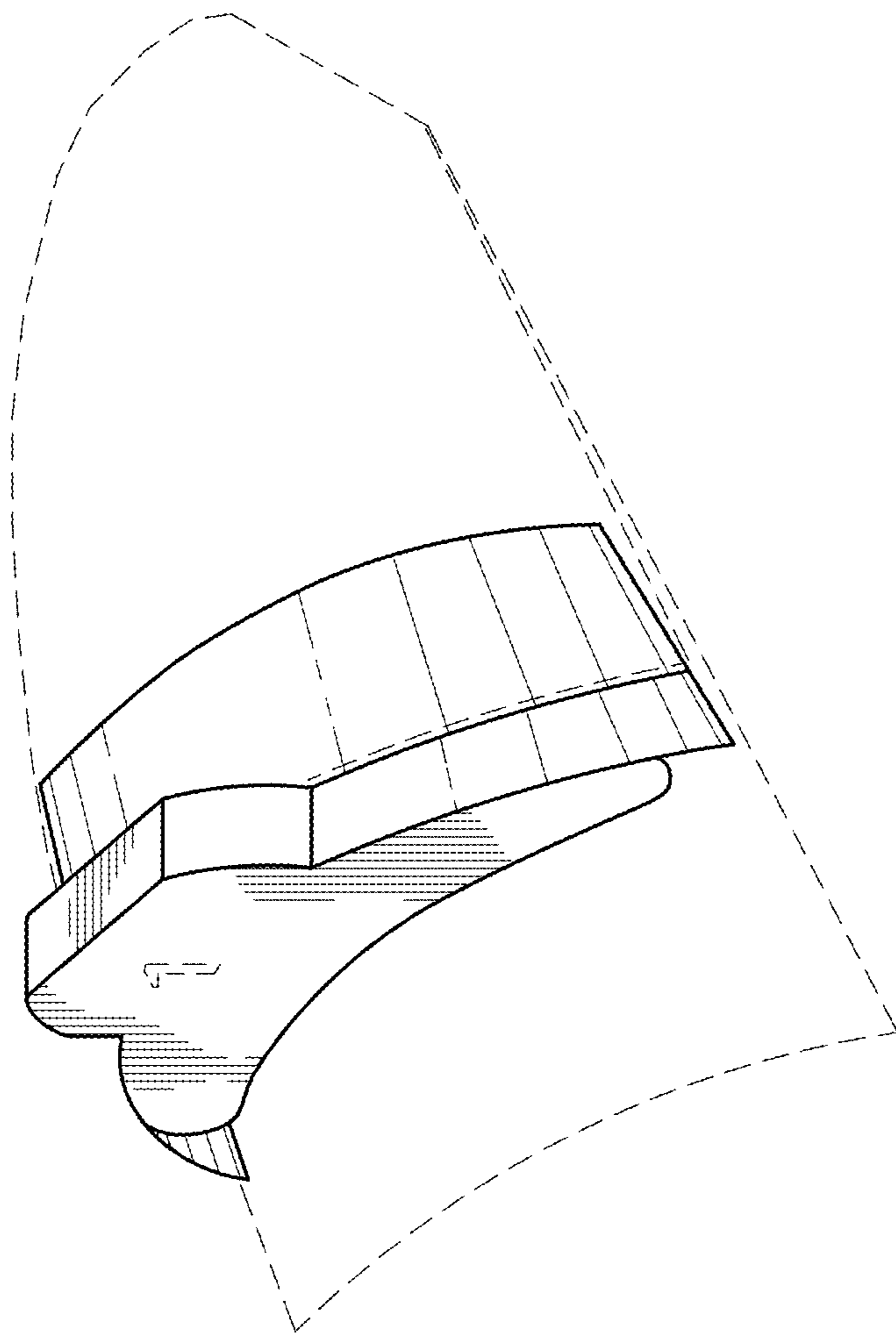
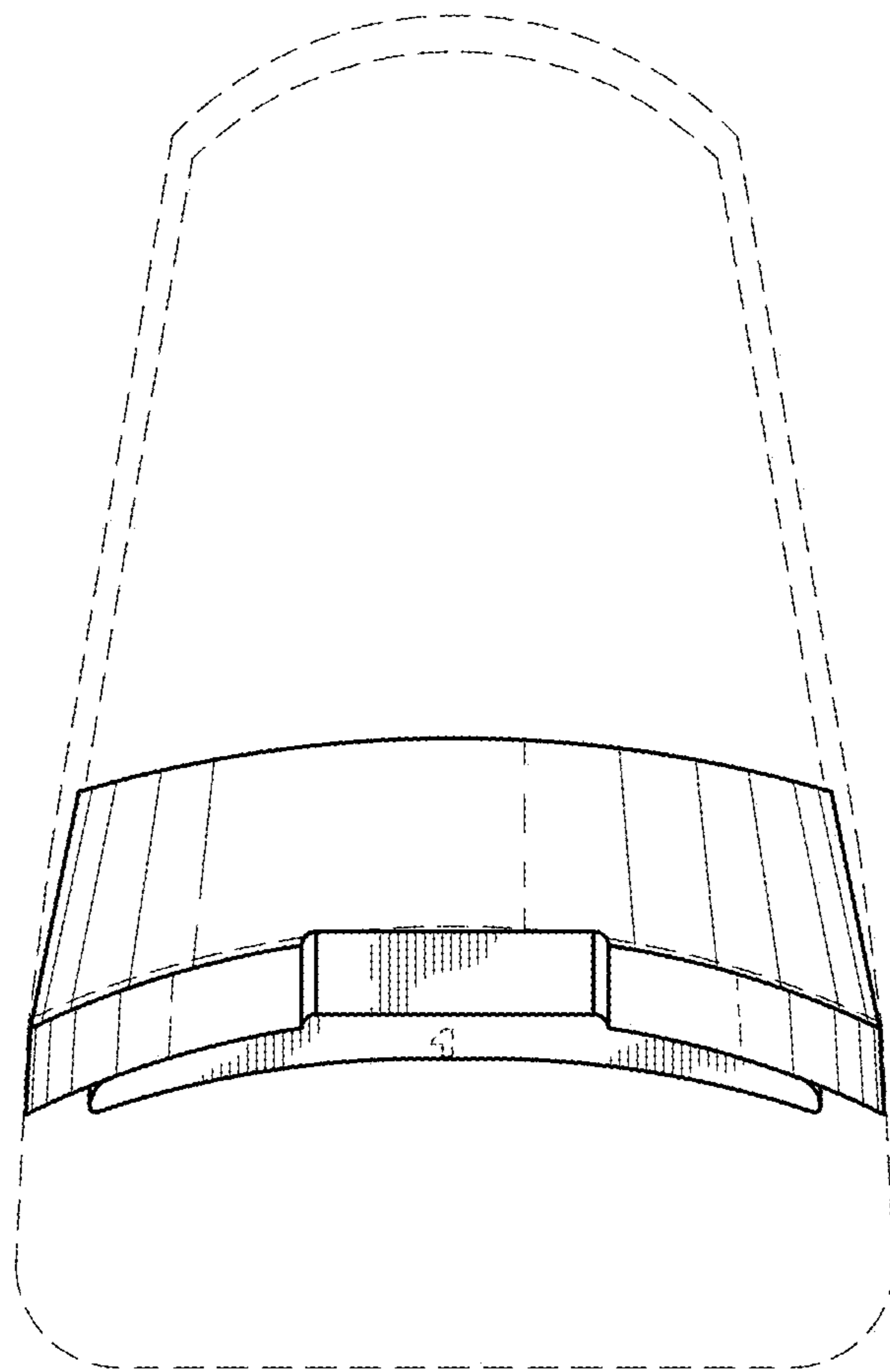


FIG. 2



*FIG. 3*