



US00D925123S

(12) **United States Design Patent** (10) **Patent No.:** **US D925,123 S**  
**Hinds** (45) **Date of Patent:** **\*\* Jul. 13, 2021**

(54) **HAIR CLIP**

FOREIGN PATENT DOCUMENTS

(71) Applicant: **CONAIR CORPORATION**, Stamford, CT (US)

FR 2585222 A1 1/1987  
GB 814008 5/1959

(Continued)

(72) Inventor: **Kristen L. Hinds**, Stamford, CT (US)

(73) Assignee: **Conair LLC**, Stamford, CT (US)

OTHER PUBLICATIONS

(\*\*) Term: **15 Years**

Traceless No Bend Hair Clips Barrettes [online], [site visited Dec. 3, 2020]. Available from internet, URL:<https://www.walmart.ca/en/ip/Traceless-No-Bend-Hair-Clips-Barrettes-Curl-Clip-Makeup-No-Crease-Hair-Clip-Hair-Styling-Bang-Clips-Plating-Silver/1VB2EIZK9CUY> (Year: 2020).\*

(21) Appl. No.: **29/713,102**

(22) Filed: **Nov. 13, 2019**

(Continued)

(51) **LOC (13) Cl.** ..... **28-03**

(52) **U.S. Cl.**  
USPC ..... **D28/40**

(58) **Field of Classification Search**  
USPC ..... D28/10, 21, 25, 27, 32, 33, 34, 35, 39, D28/40, 41, 42, 43  
CPC ..... A45D 2008/002; A45D 2008/004; A45D 2008/006; A45D 2008/008; A45D 8/00; A45D 8/02; A45D 8/06; A45D 8/08; A45D 8/10; A45D 8/12; A45D 8/14; A45D 8/16; A45D 8/18; A45D 8/20; A45D 8/22; A45D 8/24; A45D 8/26; A45D 8/28; A45D 8/30; A45D 8/32

*Primary Examiner* — Cynthia Ramirez  
*Assistant Examiner* — Xavier Marti-Santos  
(74) *Attorney, Agent, or Firm* — Ohlandt, Greeley, Ruggiero & Perle, L.L.P.

See application file for complete search history.

(57) **CLAIM**

The ornamental design for a hair clip, as shown and described.

(56) **References Cited**

**DESCRIPTION**

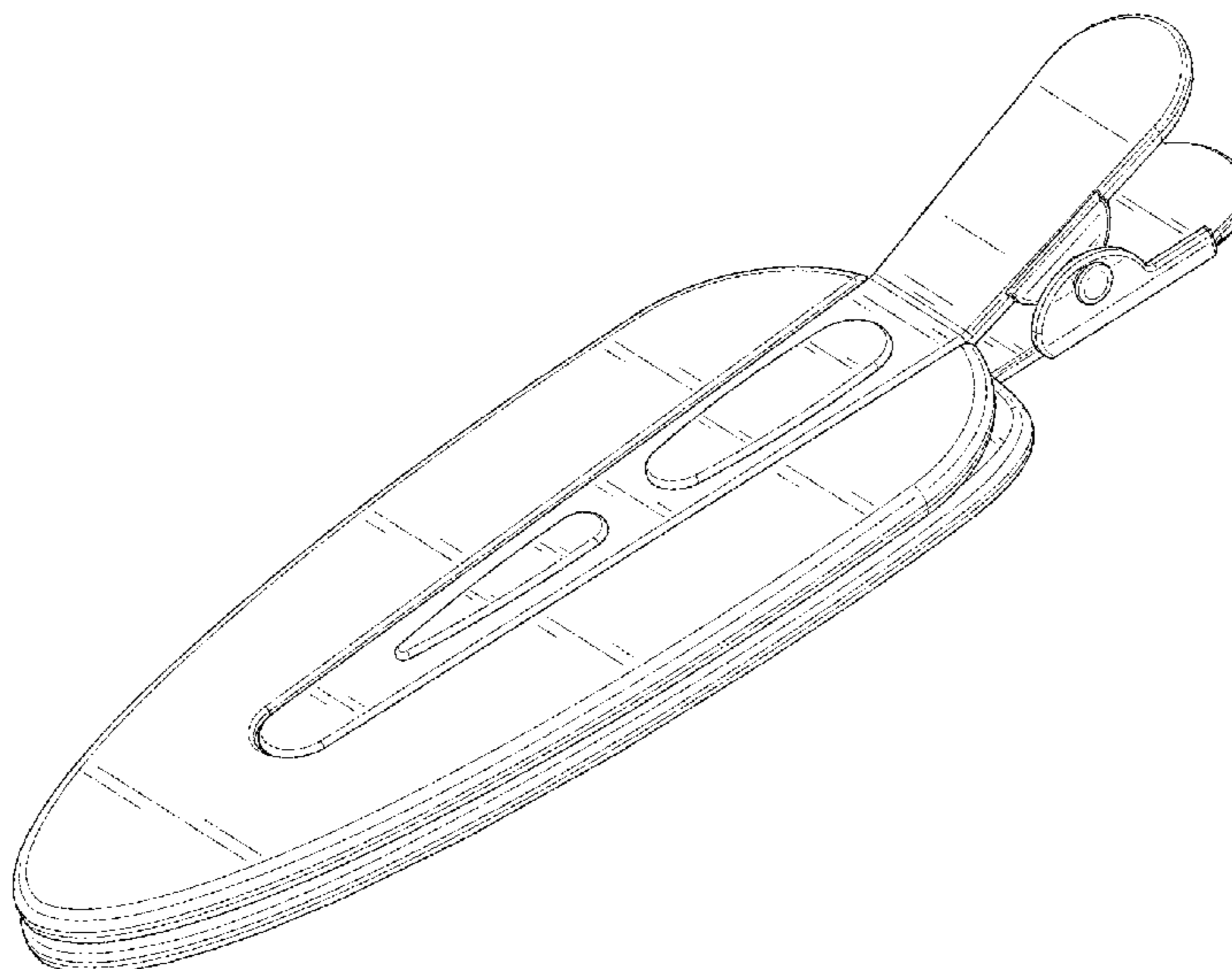
U.S. PATENT DOCUMENTS

919,933 A \* 4/1909 Nowacke et al. .... A45D 8/24 132/279  
1,836,899 A \* 12/1931 Cahn ..... A45D 8/20 132/277  
1,893,281 A \* 1/1933 Goodman ..... A45D 8/20 132/277  
D89,782 S 5/1933 Meshko  
1,936,838 A 11/1933 Hermsdorf  
2,160,346 A 5/1939 Valentine  
2,410,106 A \* 10/1946 Reynolds ..... A45D 2/28 132/237

FIG. 1 is a front right side perspective view of a hair clip according to the present invention;  
FIG. 2 is rear left side perspective view of the hair clip of FIG. 1;  
FIG. 3 is a top plan view of the hair clip of FIG. 1;  
FIG. 4 is a bottom plan view of the hair clip of FIG. 1;  
FIG. 5 is a left side elevational view of the hair clip of FIG. 1;  
FIG. 6 is a right side elevational view of the hair clip of FIG. 1;  
FIG. 7 is a rear elevational view of the hair clip of FIG. 1; and,  
FIG. 8 is a front elevational view of the hair clip of FIG. 1.

(Continued)

**1 Claim, 4 Drawing Sheets**



(56)

References Cited

U.S. PATENT DOCUMENTS

D148,461 S 1/1948 D'Alberto  
 2,549,193 A 4/1951 Grison  
 2,659,379 A \* 11/1953 Caserta ..... A45D 8/14  
 132/276  
 2,689,996 A 9/1954 Glattes  
 2,730,111 A 1/1956 Solomon  
 D203,095 S 11/1965 Schroeder  
 3,545,052 A 12/1970 Goodman  
 3,608,565 A 9/1971 Ensign  
 D292,327 S 10/1987 Kalichman  
 D338,983 S \* 8/1993 Crafts ..... D28/42  
 5,494,060 A 2/1996 Potut  
 5,735,296 A 4/1998 Chen  
 D415,312 S 10/1999 Yasuda  
 6,408,859 B1 6/2002 Shyu  
 D464,465 S \* 10/2002 Yasuda ..... D28/40  
 6,536,446 B2 3/2003 Kimura  
 7,044,141 B2 5/2006 Yasuda  
 D592,803 S \* 5/2009 Tsai ..... D28/39  
 D640,829 S \* 6/2011 Tsai ..... D28/40  
 D656,274 S \* 3/2012 Tsai ..... D28/42  
 8,240,318 B2 8/2012 Choi  
 D884,275 S 5/2020 Park  
 2004/0154633 A1 8/2004 Rogers et al.  
 2006/0225763 A1 10/2006 Lau  
 2010/0319722 A1 \* 12/2010 Hsu ..... A45D 8/14  
 132/276  
 2011/0023905 A1 \* 2/2011 Choi ..... A45D 8/20  
 132/277  
 2014/0202489 A1 7/2014 Yang  
 2017/0172274 A1 \* 6/2017 Tsai ..... A45D 8/20

FOREIGN PATENT DOCUMENTS

JP 3585852 B2 4/2004  
 JP 2002-165629 A 12/2010  
 JP 3166615 U 5/2011  
 JP 2012-400 A 1/2012  
 JP 5723574 B2 5/2015  
 JP 3207291 U 11/2016  
 KR 301000572.0000 \* 8/2018  
 TW 2004-06165 A 5/2004  
 WO 2004/039201 A1 5/2004  
 WO 2013/033045 A1 3/2013

OTHER PUBLICATIONS

12 Pieces No Bend Hair Clips [online], [site visited Dec. 3, 2020]. Available from internet, URL:<[https://www.amazon.com/Pieces-Clips-Crease-Makeup-Hairstyling/dp/B0818TH68Y/ref=sr\\_1\\_9?dchild=1&keywords=no+crease+hair+clips&qid=1606956596&sr=8-9](https://www.amazon.com/Pieces-Clips-Crease-Makeup-Hairstyling/dp/B0818TH68Y/ref=sr_1_9?dchild=1&keywords=no+crease+hair+clips&qid=1606956596&sr=8-9)> (Year: 2020).\*

4pcs Rhinestone No Bend Hair Clips [online], [site visited Dec. 3, 2020]. Available from internet, URL:<[https://www.amazon.com/Rhinestone-Styling-Barrette-Hairstyle-Application/dp/B08L6L3YX3/ref=sr\\_1\\_16?dchild=1&keywords=no+crease+hair+clips&qid=1606956596&sr=8-16](https://www.amazon.com/Rhinestone-Styling-Barrette-Hairstyle-Application/dp/B08L6L3YX3/ref=sr_1_16?dchild=1&keywords=no+crease+hair+clips&qid=1606956596&sr=8-16)> (Year: 2020).\*

International Search Report dated Jan. 14, 2021 from corresponding International Patent Application No. PCT/US2020/053959, 3 pages. Written Opinion dated Jan. 14, 2021 from corresponding International Patent Application No. PCT/US2020/053959, 4 pages.

\* cited by examiner

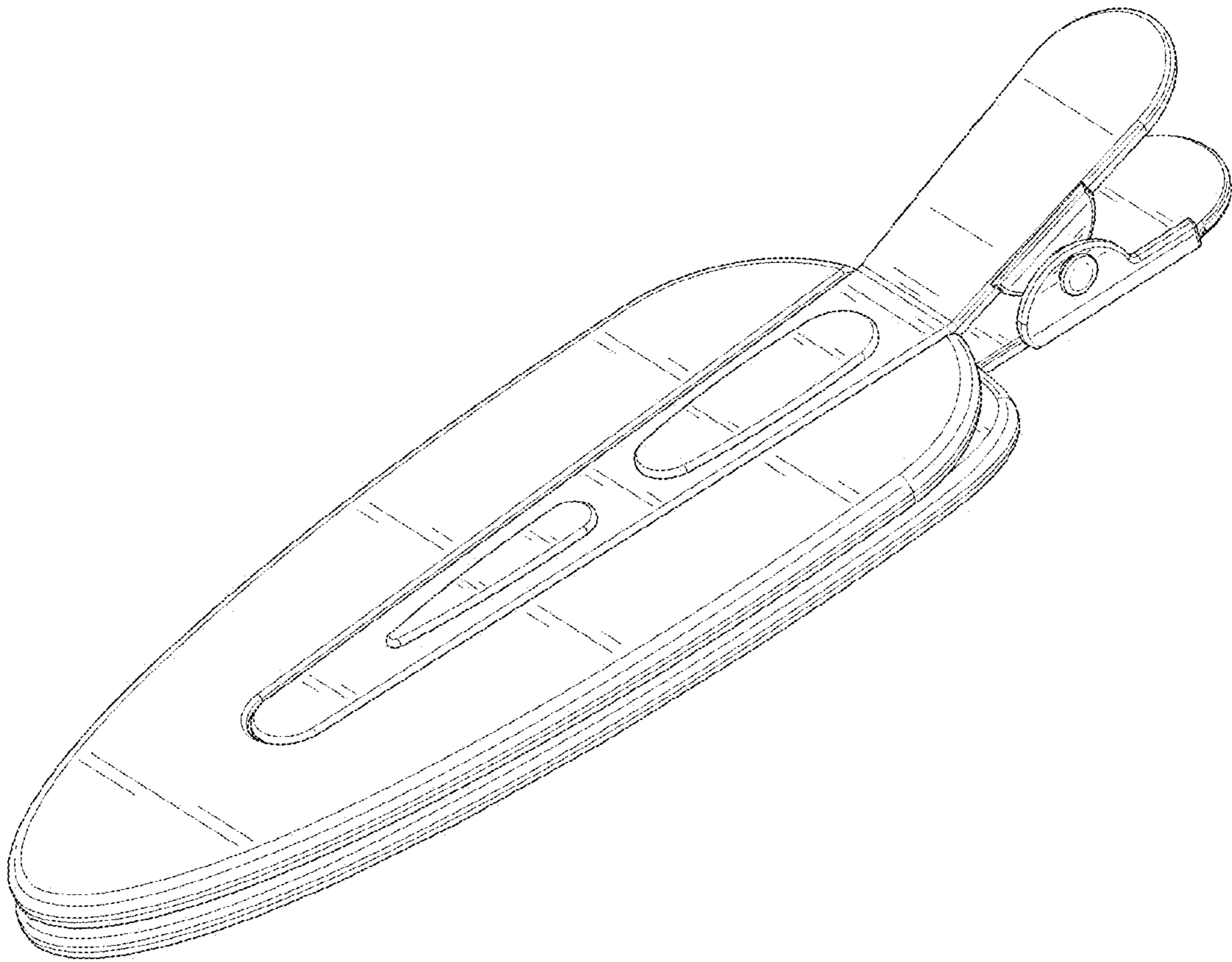


FIG. 1

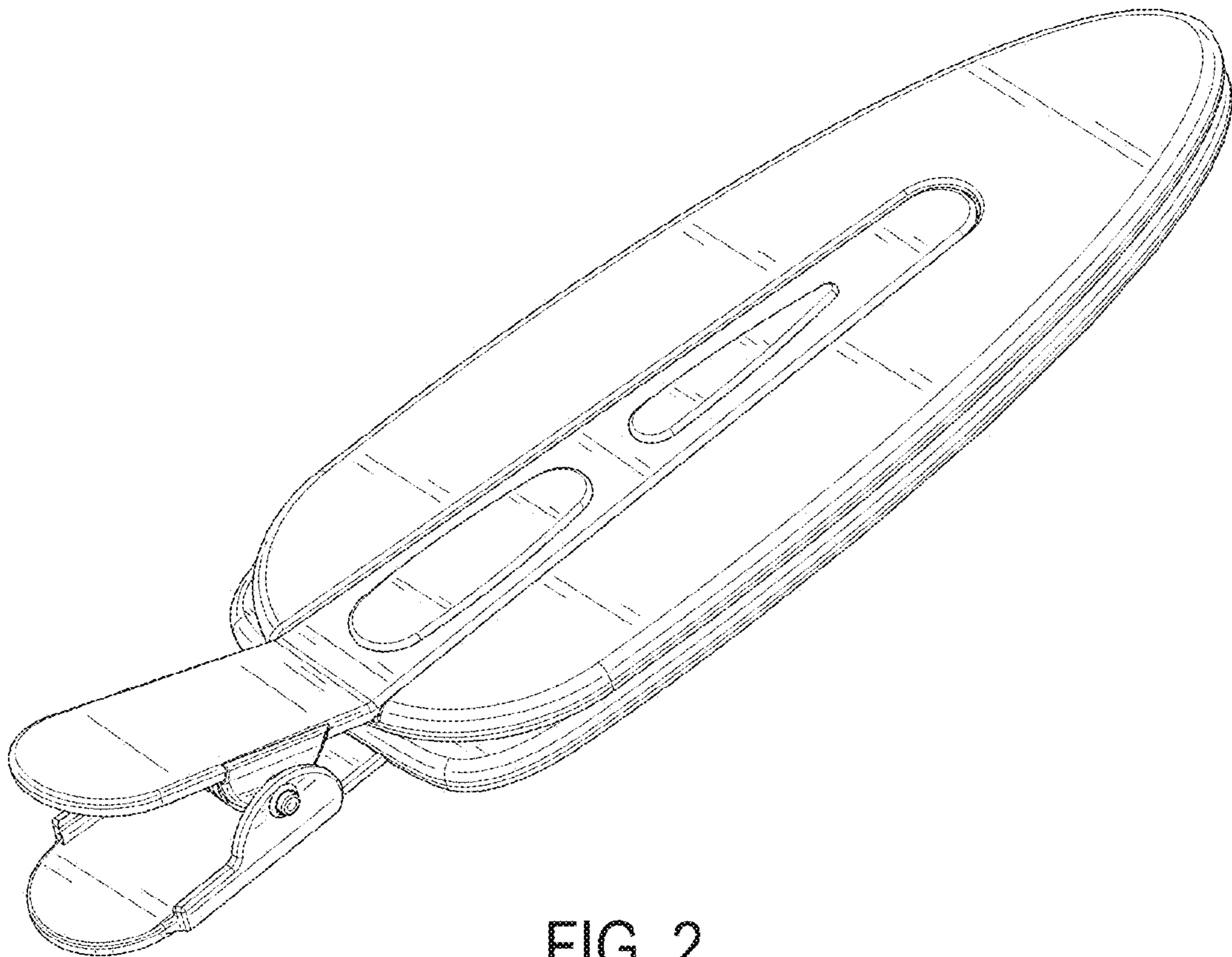


FIG. 2



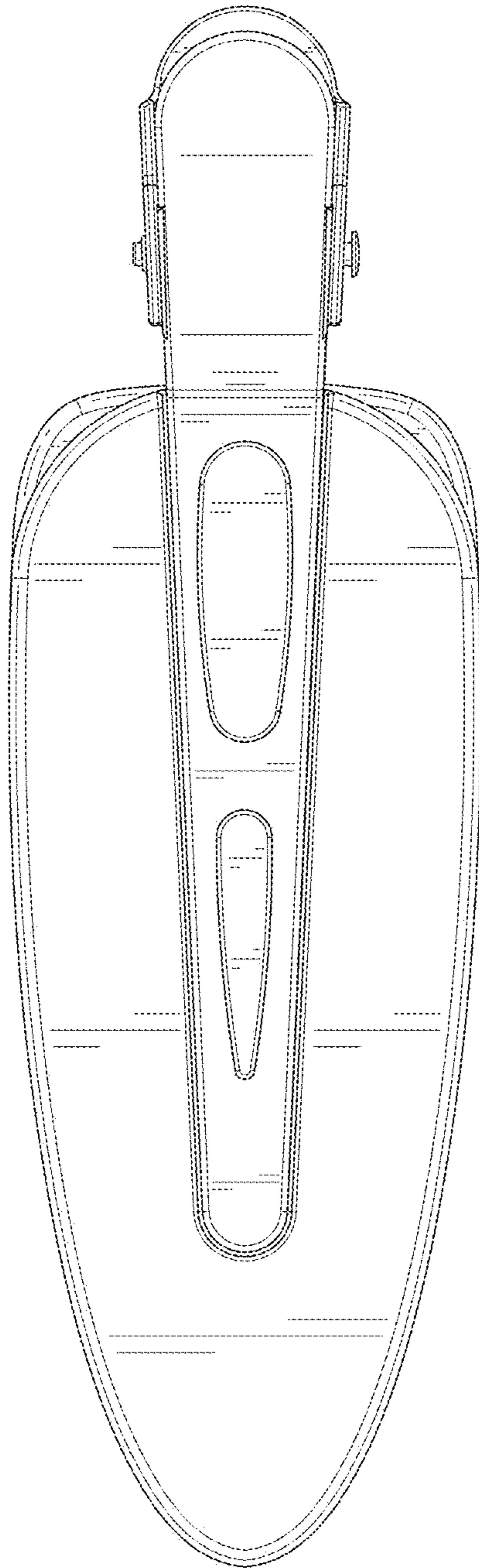


FIG. 3

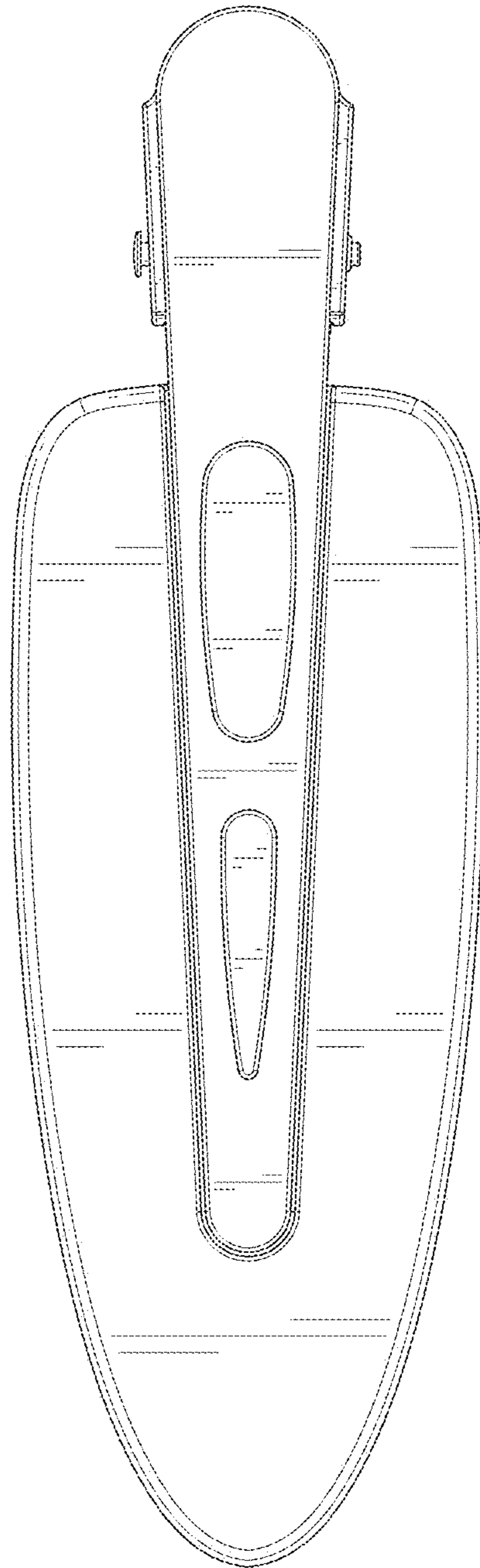


FIG. 4

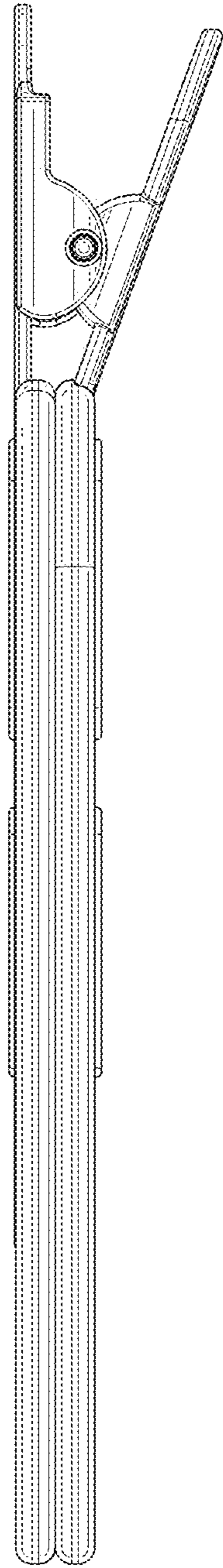


FIG. 5

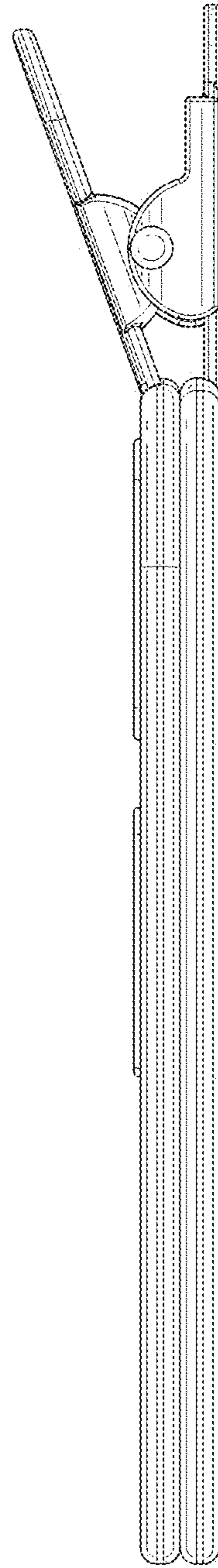


FIG. 6

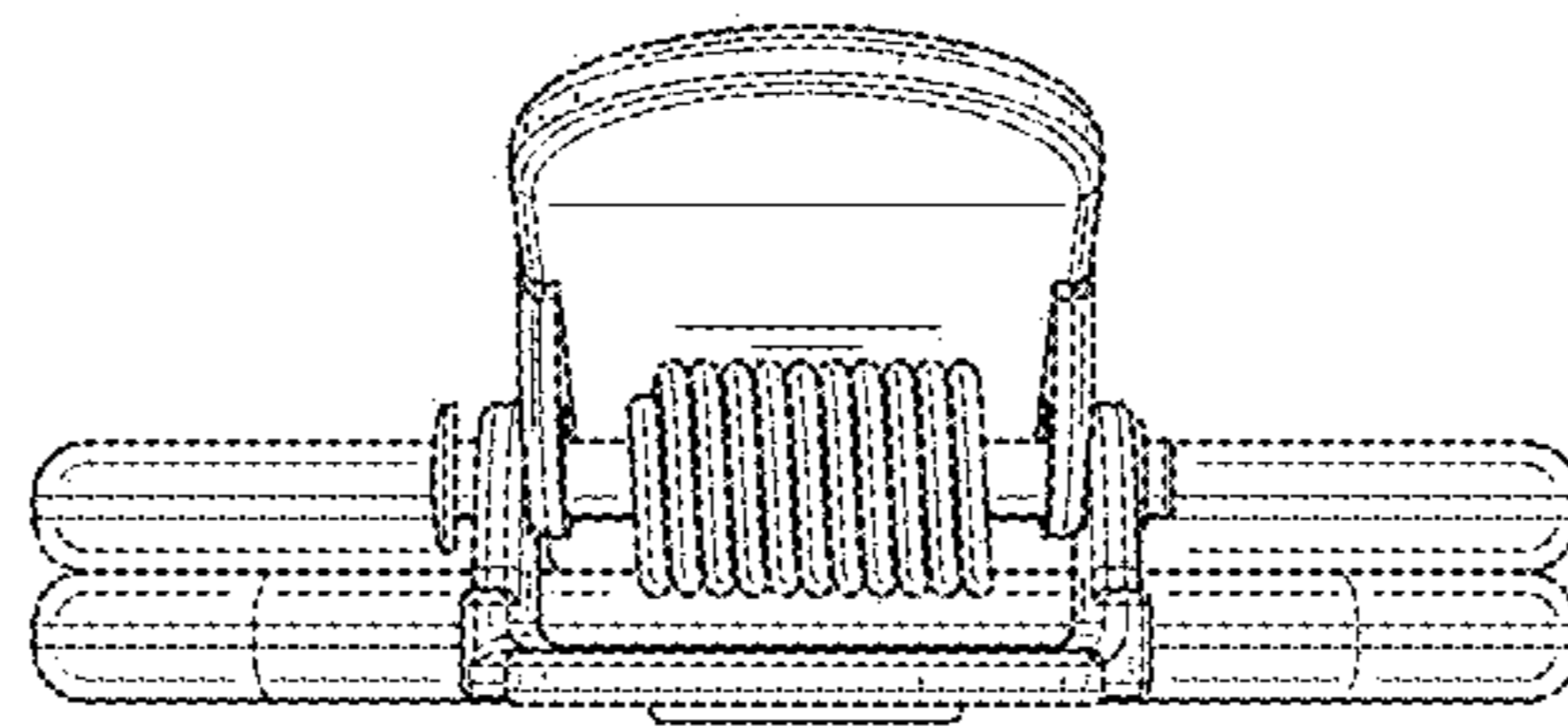


FIG. 7

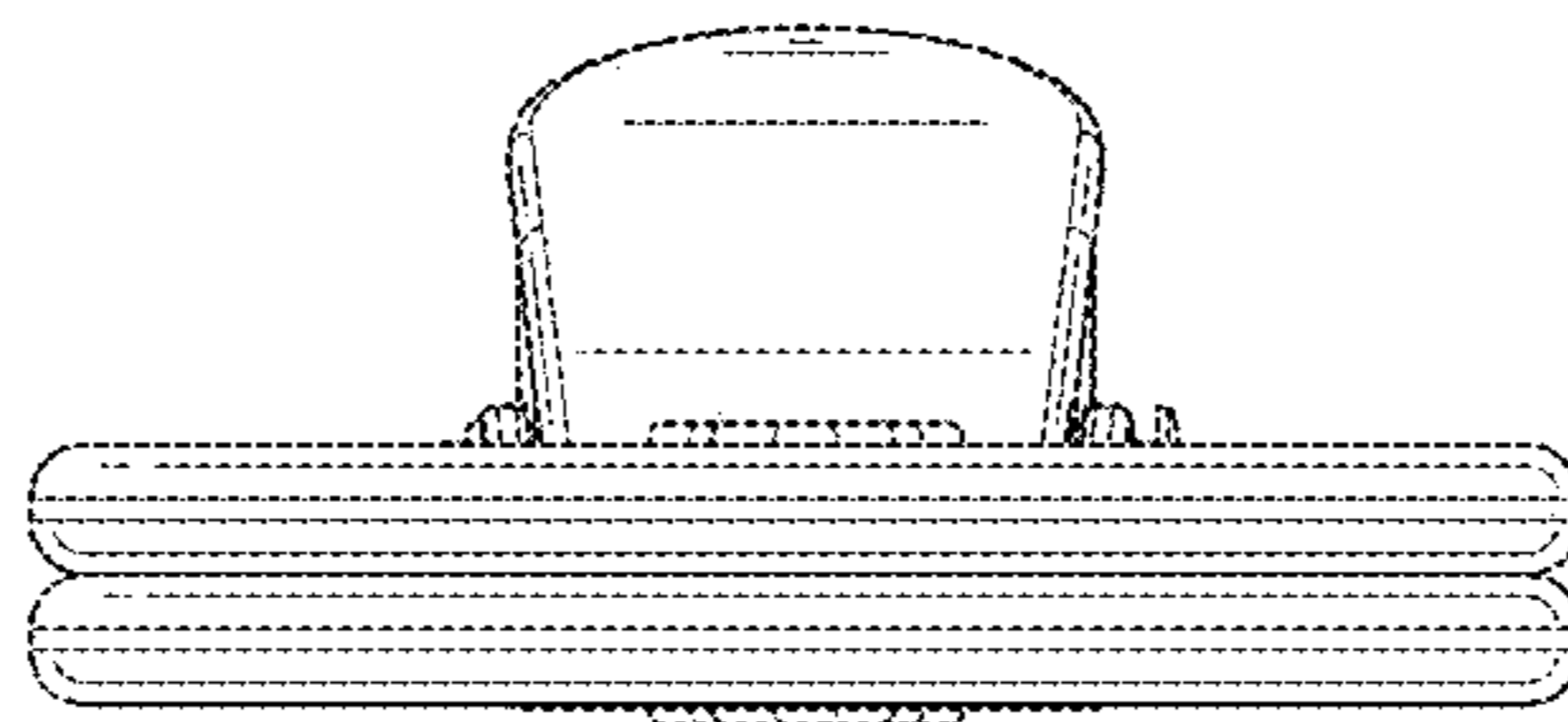


FIG. 8