



US00D925120S

(12) **United States Design Patent**
Lampe et al.

(10) **Patent No.:** **US D925,120 S**

(45) **Date of Patent:** **** Jul. 13, 2021**

- (54) **TIP FOR COSMETIC PENCIL**
- (71) Applicant: **Schwan-STABILO Cosmetics GmbH & Co. KG**, Heroldsberg (DE)
- (72) Inventors: **Christian Lampe**, Eckental (DE);
Britta Lorenz, Nuremberg (DE);
Michael Strauß, Nuremberg (DE);
Michaela Kortan, Egloffstein (DE)
- (73) Assignee: **SCHWAN-STABILO COSMETICS GMBH & CO. KG**, Heroldsberg (DE)

D647,960 S *	11/2011	Chen	D19/185
D669,535 S *	10/2012	Hung	D19/200
D711,471 S *	8/2014	Morimoto	D19/200
D742,454 S *	11/2015	Morimoto	D19/200
D744,592 S *	12/2015	Morimoto	D19/200

* cited by examiner

Primary Examiner — Zenia I Bennett

(74) *Attorney, Agent, or Firm* — Frank M. Caprio; Angela Holt; Bradley Arant Boult Cummings LLP

- (**) Term: **15 Years**
- (21) Appl. No.: **29/649,794**
- (22) Filed: **Jun. 1, 2018**
- (51) **LOC (13) Cl.** **28-03**
- (52) **U.S. Cl.**
USPC **D28/7**
- (58) **Field of Classification Search**
USPC D28/7; D19/200
CPC .. A45D 40/20; A45D 2040/201; B43K 1/006;
B43K 1/12
See application file for complete search history.

(57) **CLAIM**

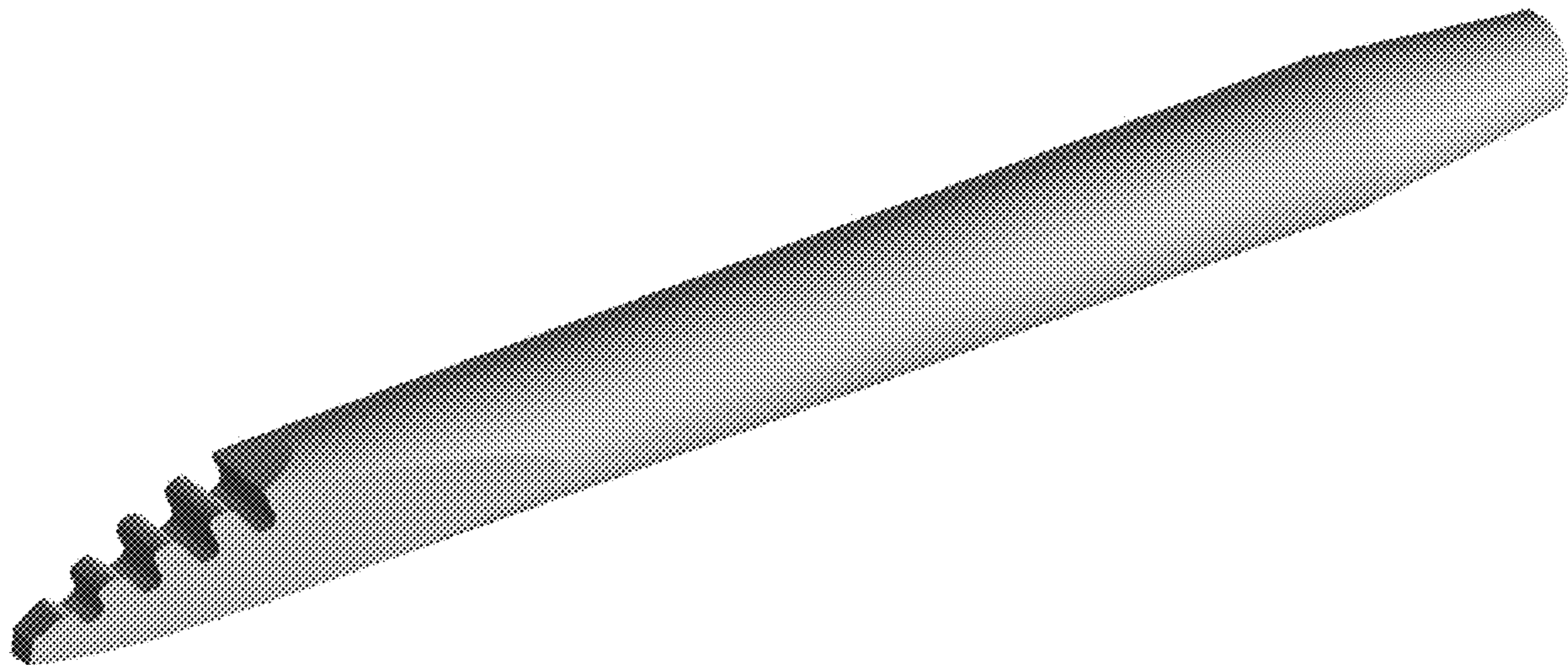
The ornamental design for a tip for cosmetic pencil, as shown and described.

DESCRIPTION

FIG. 1 is a top side perspective view of a tip for cosmetic pencil showing my new design;
 FIG. 2 is a top plan view;
 FIG. 3 is a bottom plan view;
 FIG. 4 is a bottom perspective view;
 FIG. 5 is a side view, the opposite side being a mirror image;
 FIG. 6 is a front view; and,
 FIG. 7 is a rear view.

- (56) **References Cited**
U.S. PATENT DOCUMENTS
D486,861 S * 2/2004 Gokey D19/200
D643,068 S * 8/2011 Teague D19/200

1 Claim, 2 Drawing Sheets



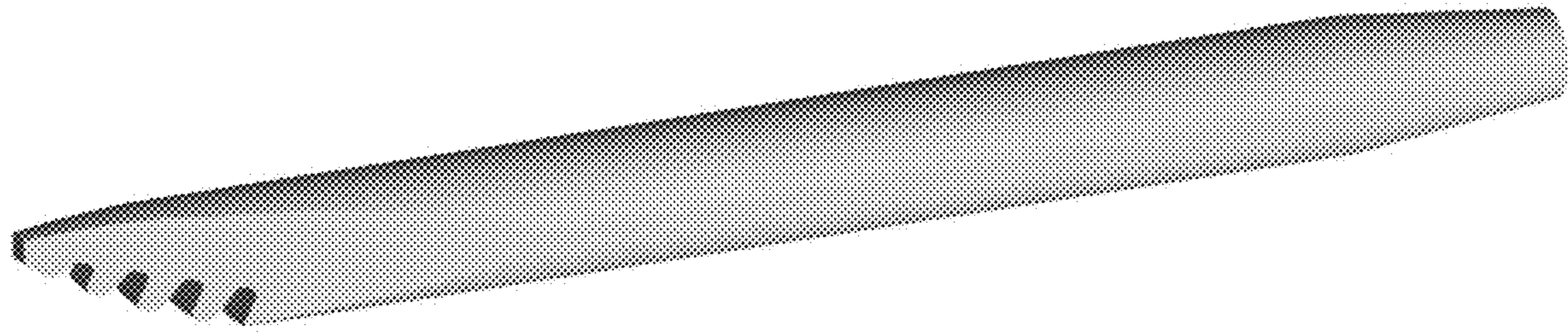


Fig. 1



Fig. 2



Fig. 3

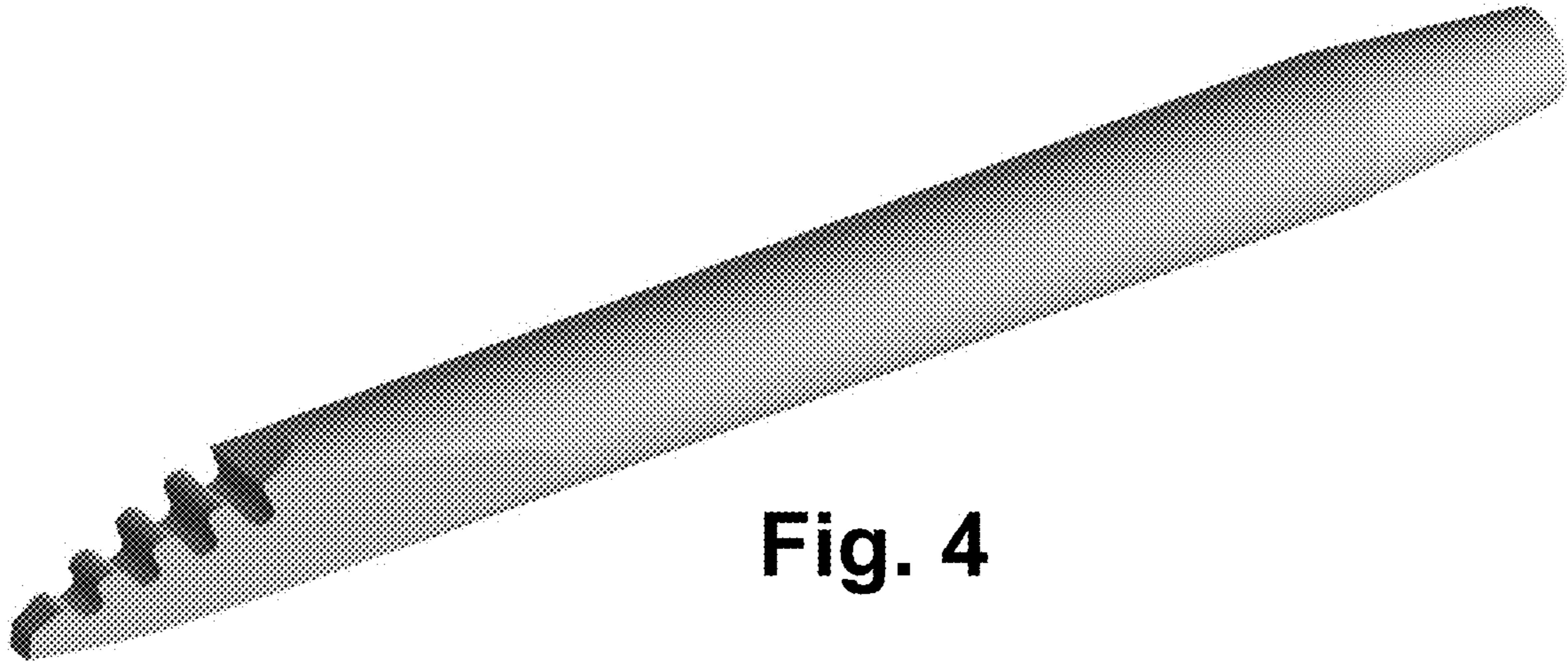


Fig. 4

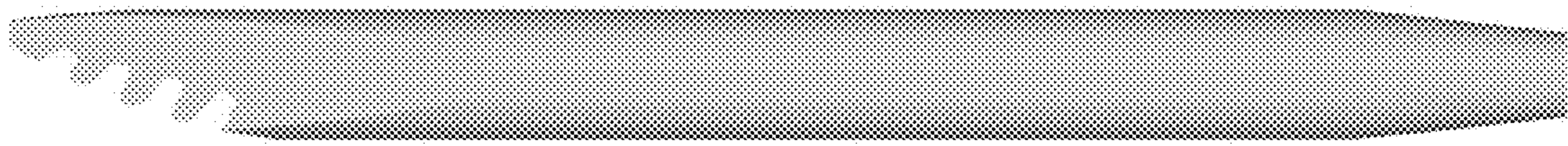


Fig. 5

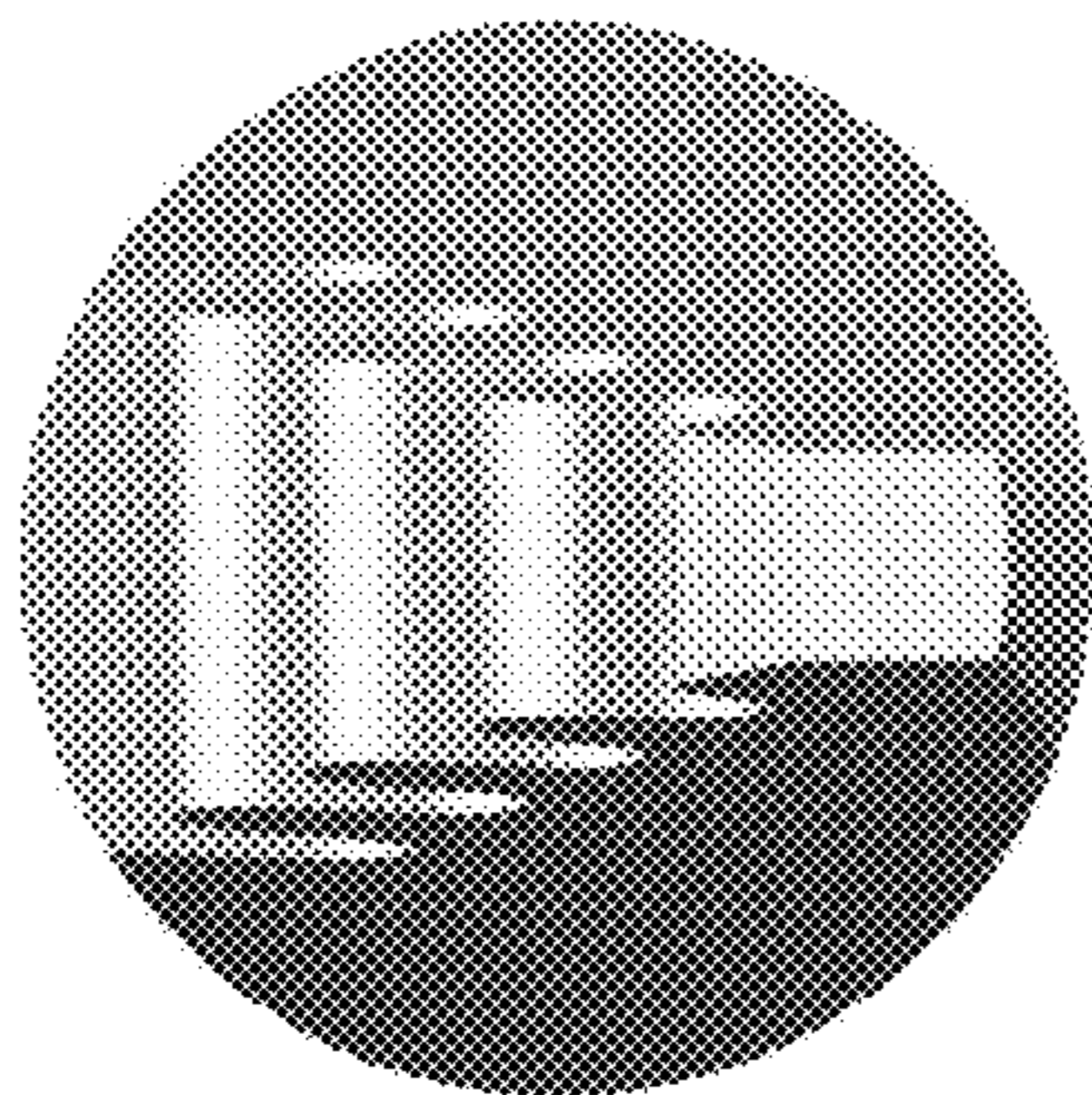


Fig. 6

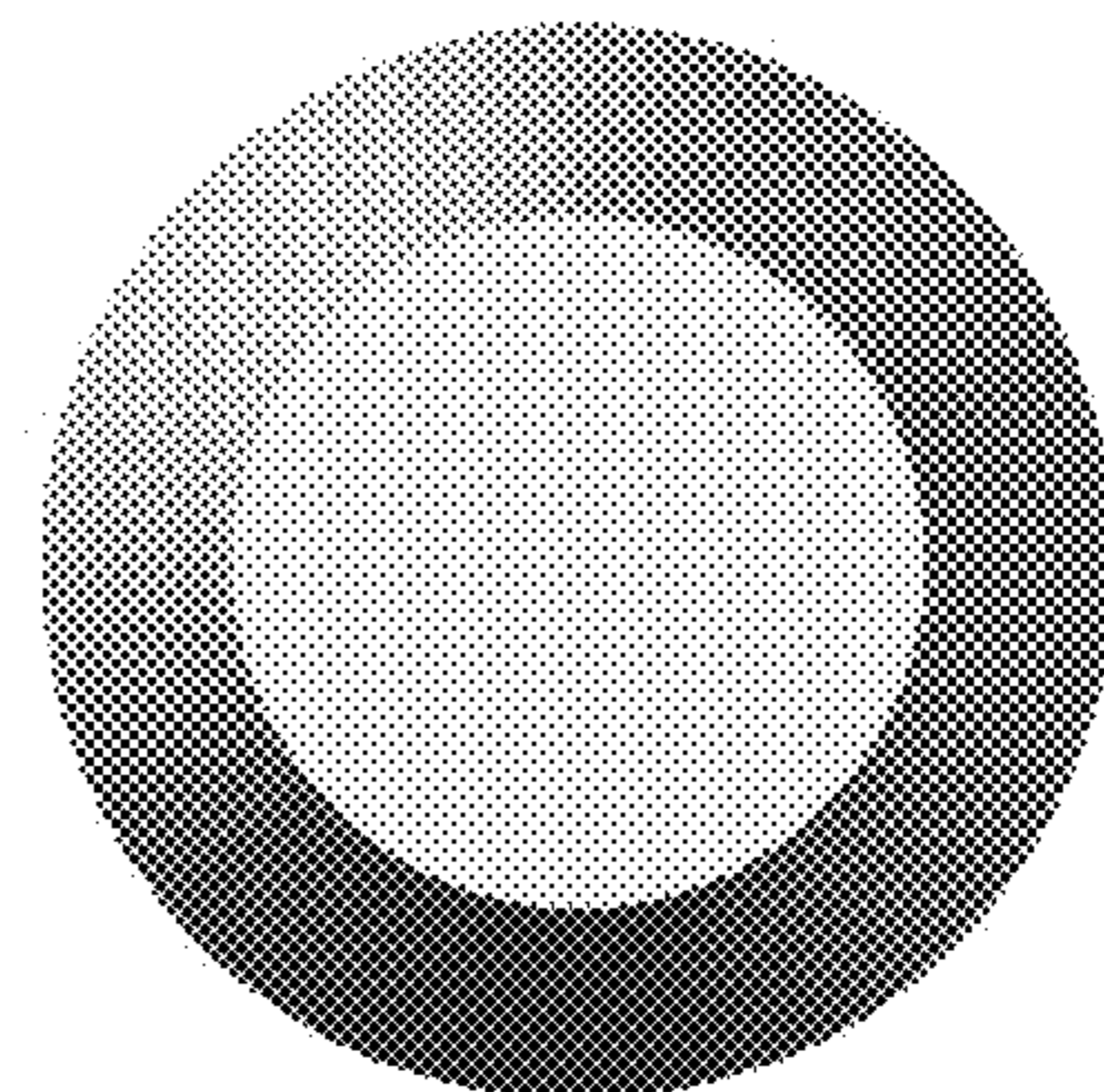


Fig. 7