



US00D925111S

(12) **United States Design Patent**
Mullen

(10) **Patent No.:** **US D925,111 S**

(45) **Date of Patent:** **** Jul. 13, 2021**

(54) **LIGHT FIXTURE HEX SHROUD**

(71) Applicant: **Nate Mullen**, Valley Center, CA (US)

(72) Inventor: **Nate Mullen**, Valley Center, CA (US)

(**) Term: **15 Years**

(21) Appl. No.: **29/710,293**

(22) Filed: **Oct. 22, 2019**

(51) **LOC (13) Cl.** **26-05**

(52) **U.S. Cl.**
USPC **D26/138**

(58) **Field of Classification Search**

USPC D26/76, 78, 79, 80, 81, 82, 83, 85, 86,
D26/88, 90, 113, 118, 119, 120, 121, 122,
D26/138, 139, 140, 141, 142
CPC F21S 2/00; F21S 4/00; F21S 4/003; F21S
4/005; F21S 4/006; F21S 4/007; F21S
4/008; F21S 6/00; F21S 8/00; F21S
8/024; F21S 8/026; F21S 8/031; F21S
8/033; F21S 8/035-037; F21S 8/04; F21S
8/043; F21S 8/063

See application file for complete search history.

(56) **References Cited**

U.S. PATENT DOCUMENTS

D659,892 S * 5/2012 Ding D26/113
D700,577 S * 3/2014 Ding D13/134
D854,734 S * 7/2019 Mullen D26/113
2009/0086474 A1* 4/2009 Chou F21K 9/90
362/230
2012/0281409 A1* 11/2012 Patkus F21V 29/83
362/249.02
2017/0284617 A1* 10/2017 Coakley F21V 21/042

2019/0128494 A1* 5/2019 Liu G02B 19/0028
2020/0260181 A1* 8/2020 Talbi F21V 33/0056
2020/0363025 A1* 11/2020 Jeswani H05B 45/52

* cited by examiner

Primary Examiner — Michael C Stout

Assistant Examiner — Benjamin M Weeks

(74) *Attorney, Agent, or Firm* — Kelly & Kelley, LLP

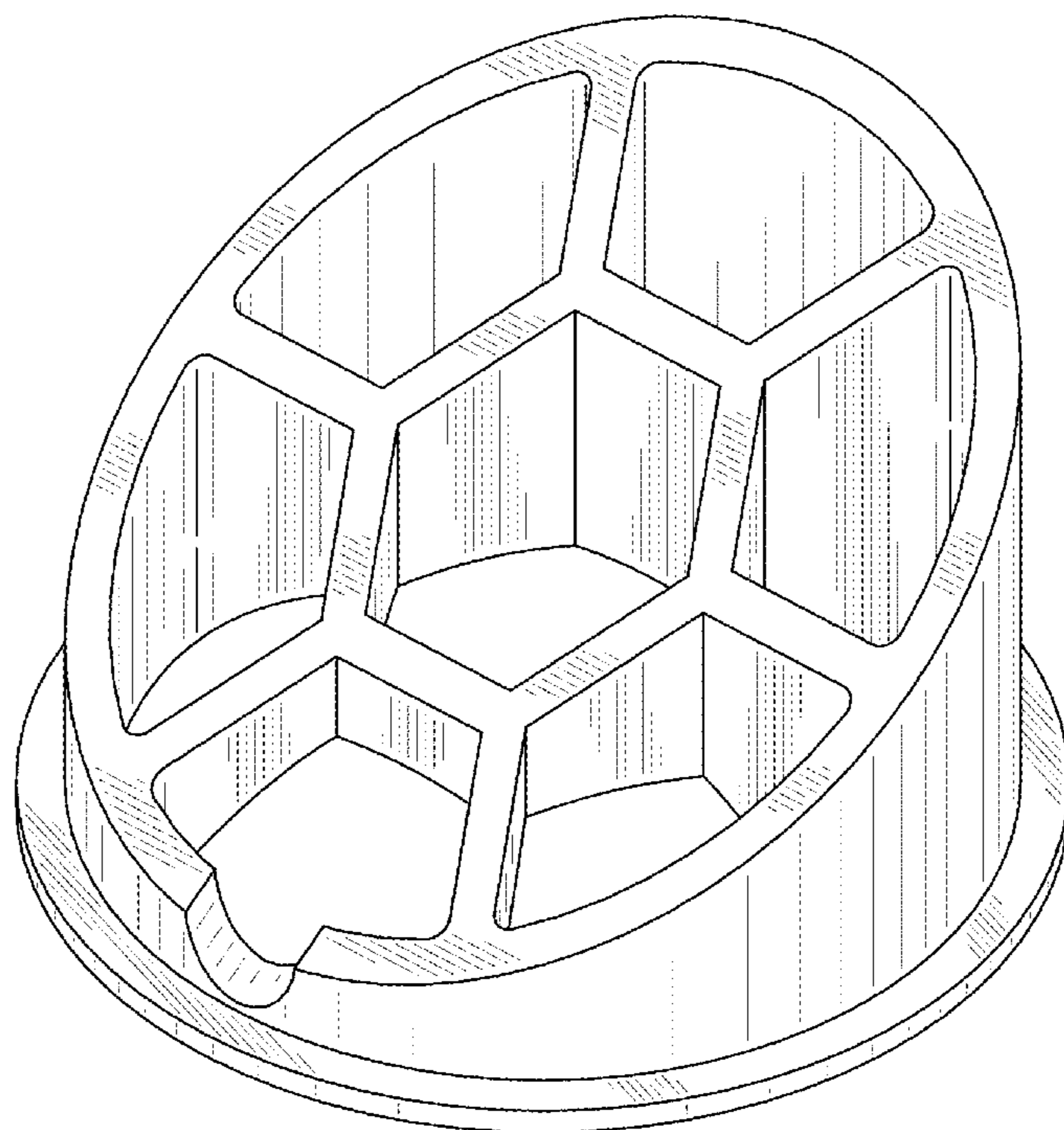
(57) **CLAIM**

The ornamental design for a light fixture hex shroud, as shown.

DESCRIPTION

FIG. 1 is a perspective view of the light fixture hex shroud; FIG. 2 is a reverse angle perspective view of the light fixture hex shroud; FIG. 3 is a front view of the light fixture hex shroud; FIG. 4 is a rear view of the light fixture hex shroud; FIG. 5 is a top view of the light fixture hex shroud; FIG. 6 is a bottom view of the light fixture hex shroud; FIG. 7 is a left side view of the light fixture hex shroud (the right side view being a mirror image); FIG. 8 is a cross-sectional view of the light fixture hex shroud taken along line 8-8 of FIG. 5; FIG. 9 is an environmental view showing the light fixture hex shroud installed in a lighting can; and, FIG. 10 is an environmental view showing the light fixture hex shroud installed in a lighting can. The broken lines form no part of the claimed ornamental design.

1 Claim, 8 Drawing Sheets



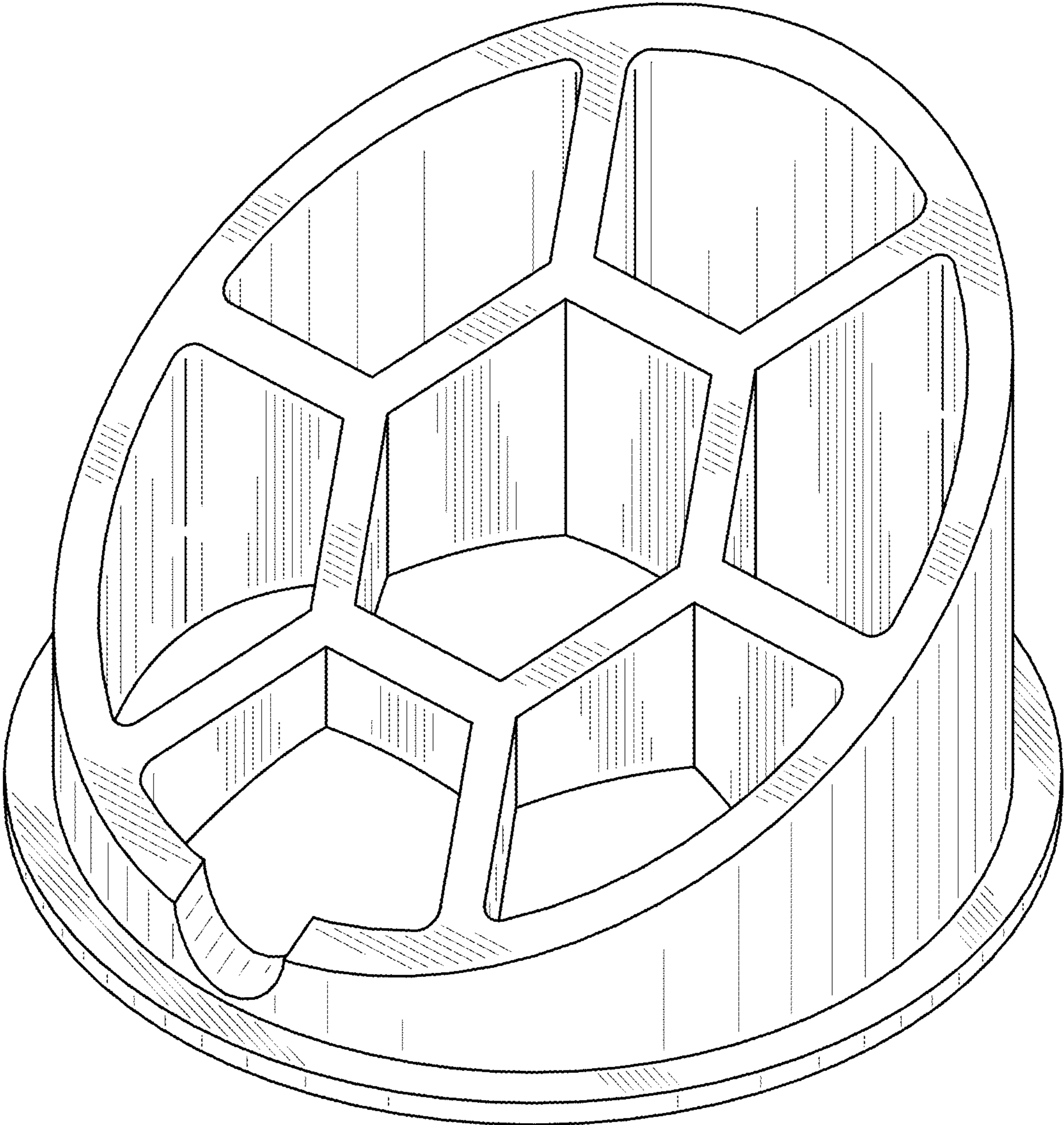


FIG. 1

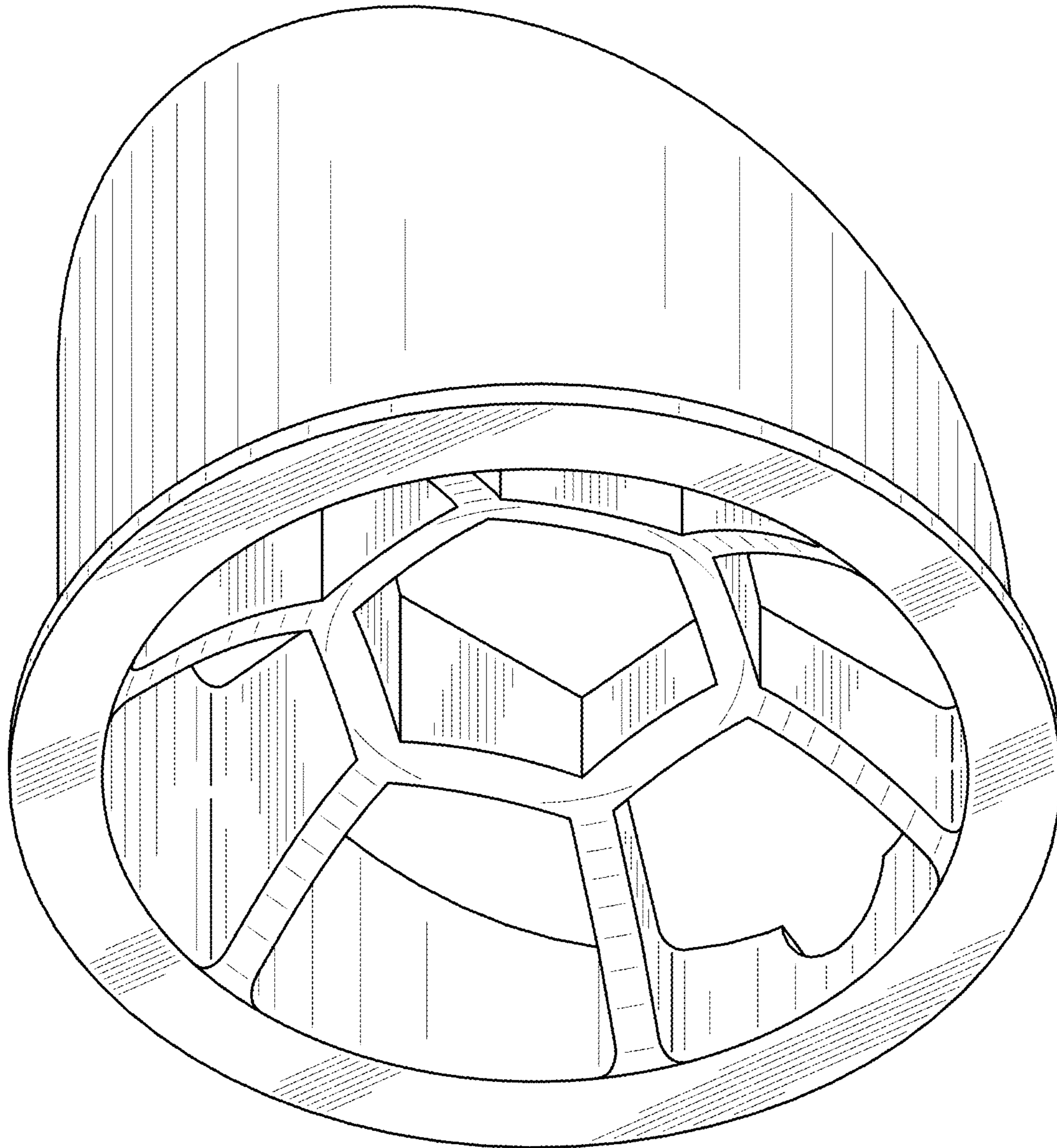


FIG. 2

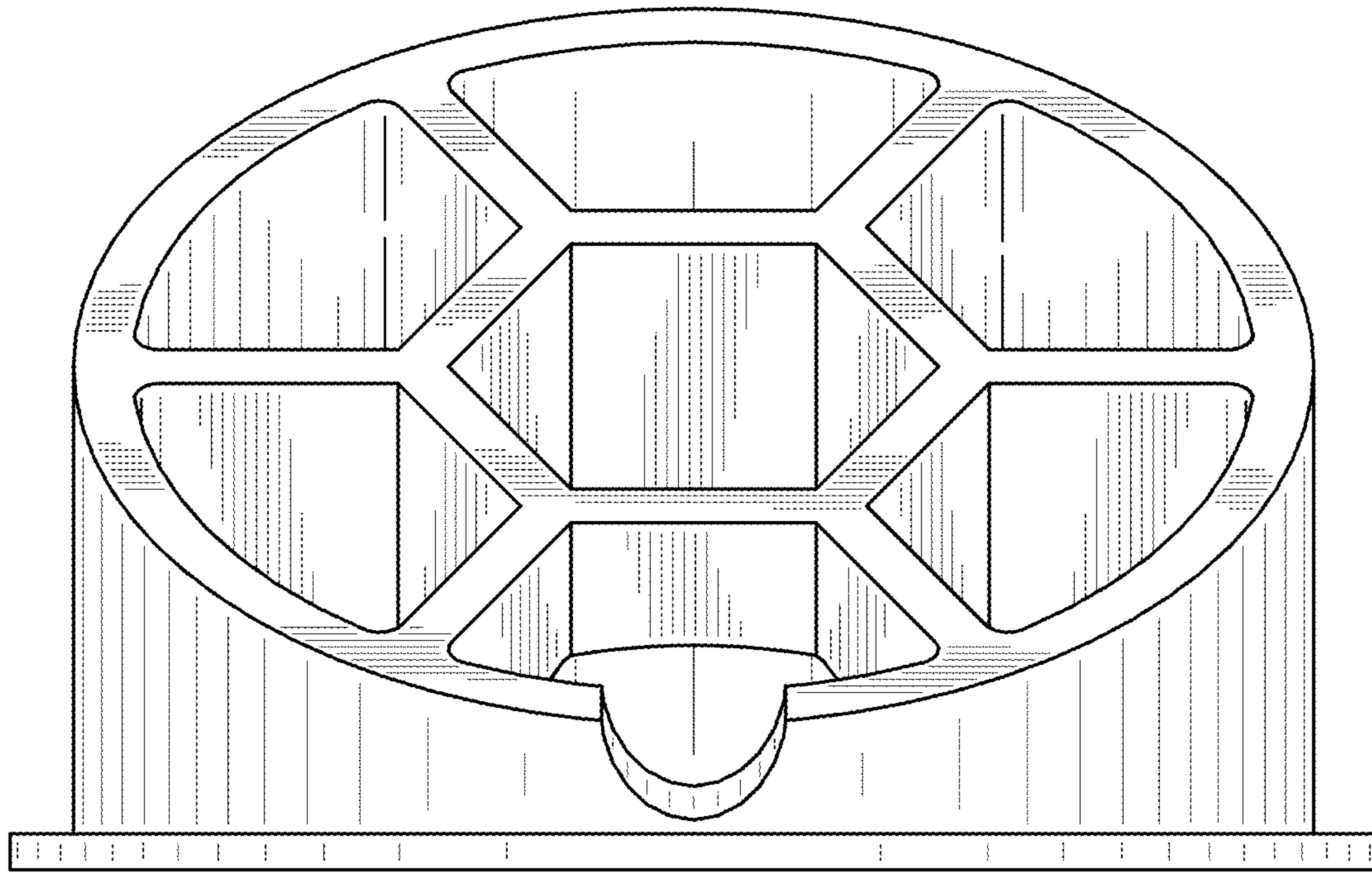


FIG. 3

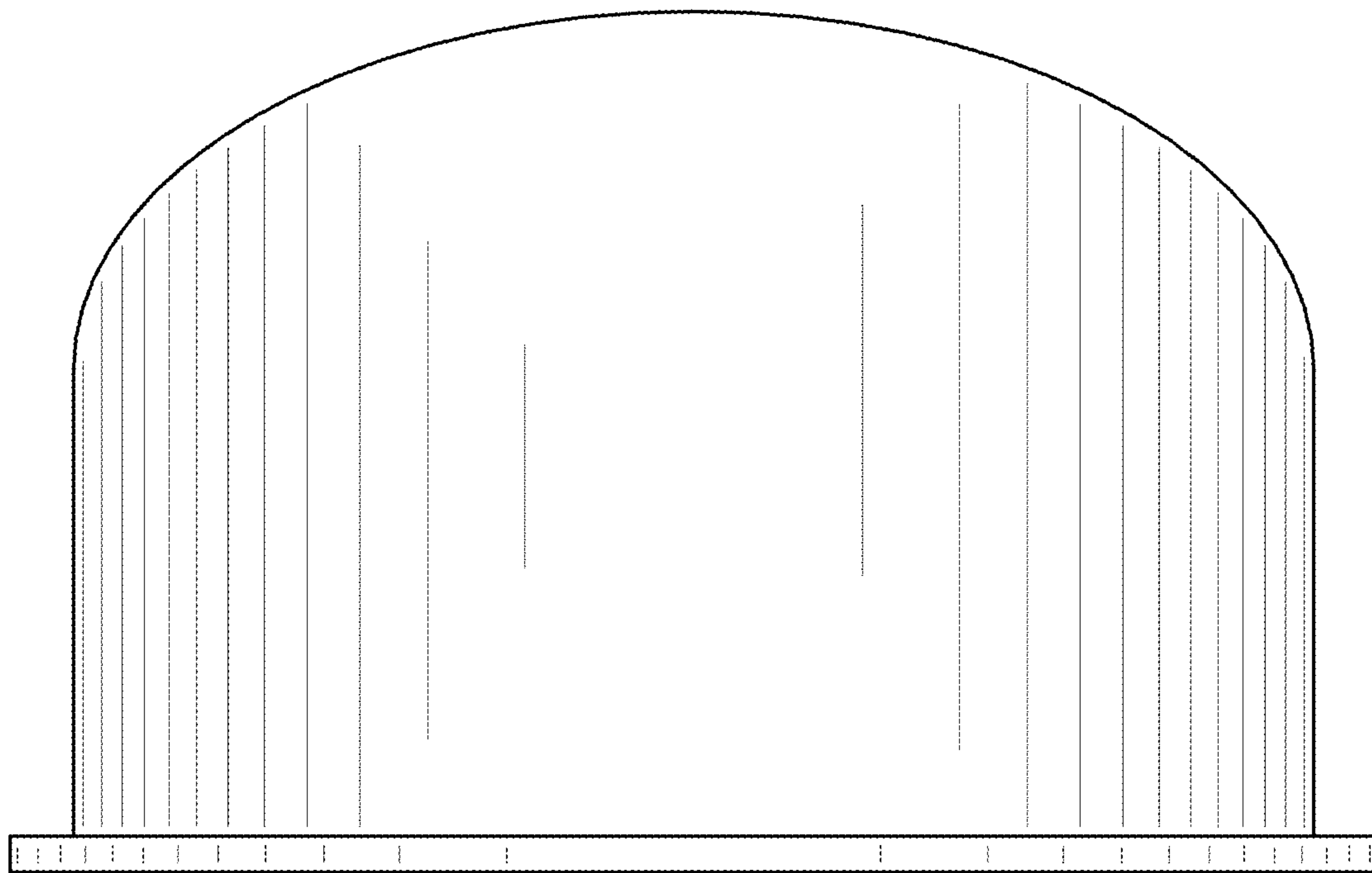


FIG. 4

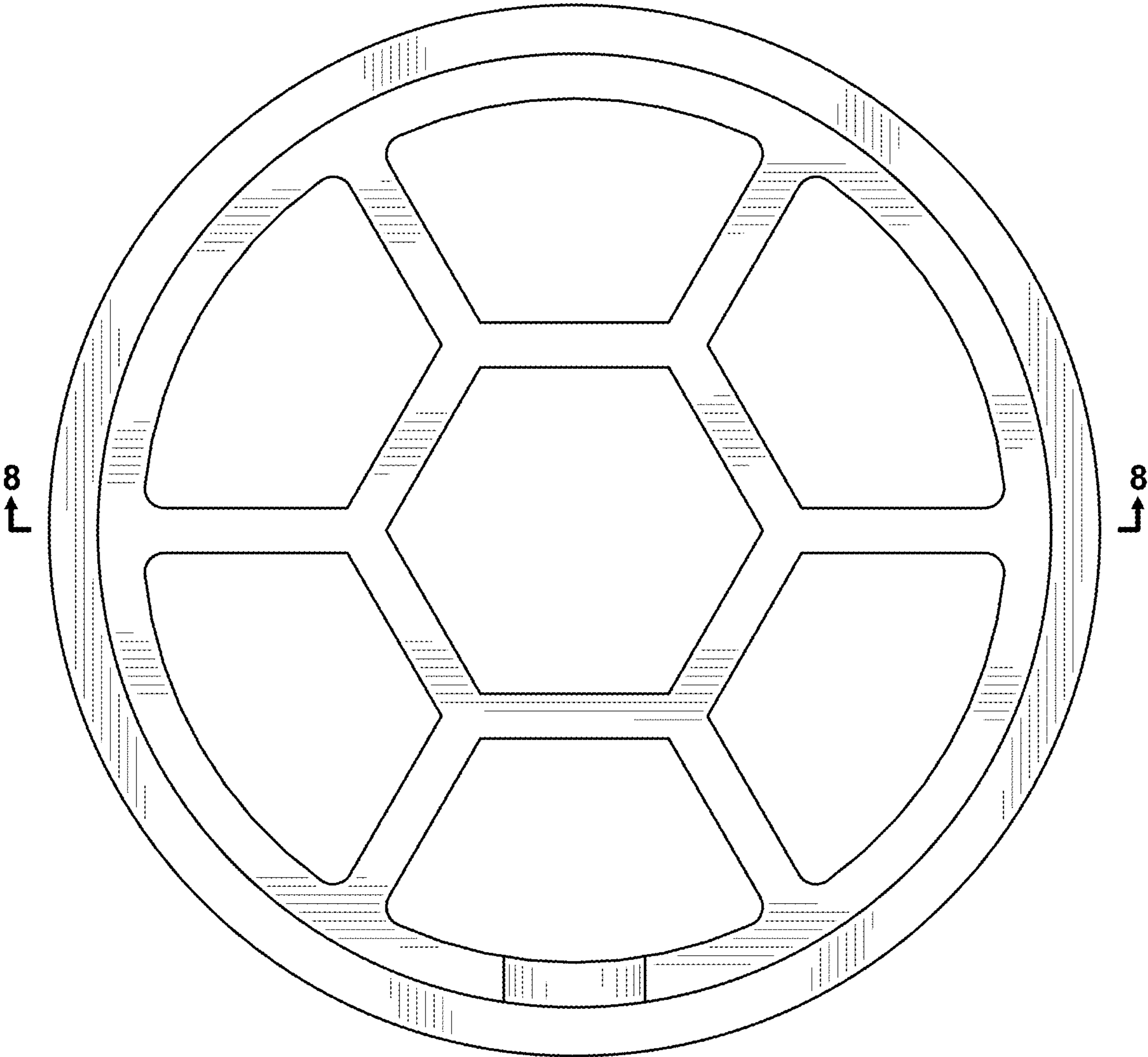


FIG. 5

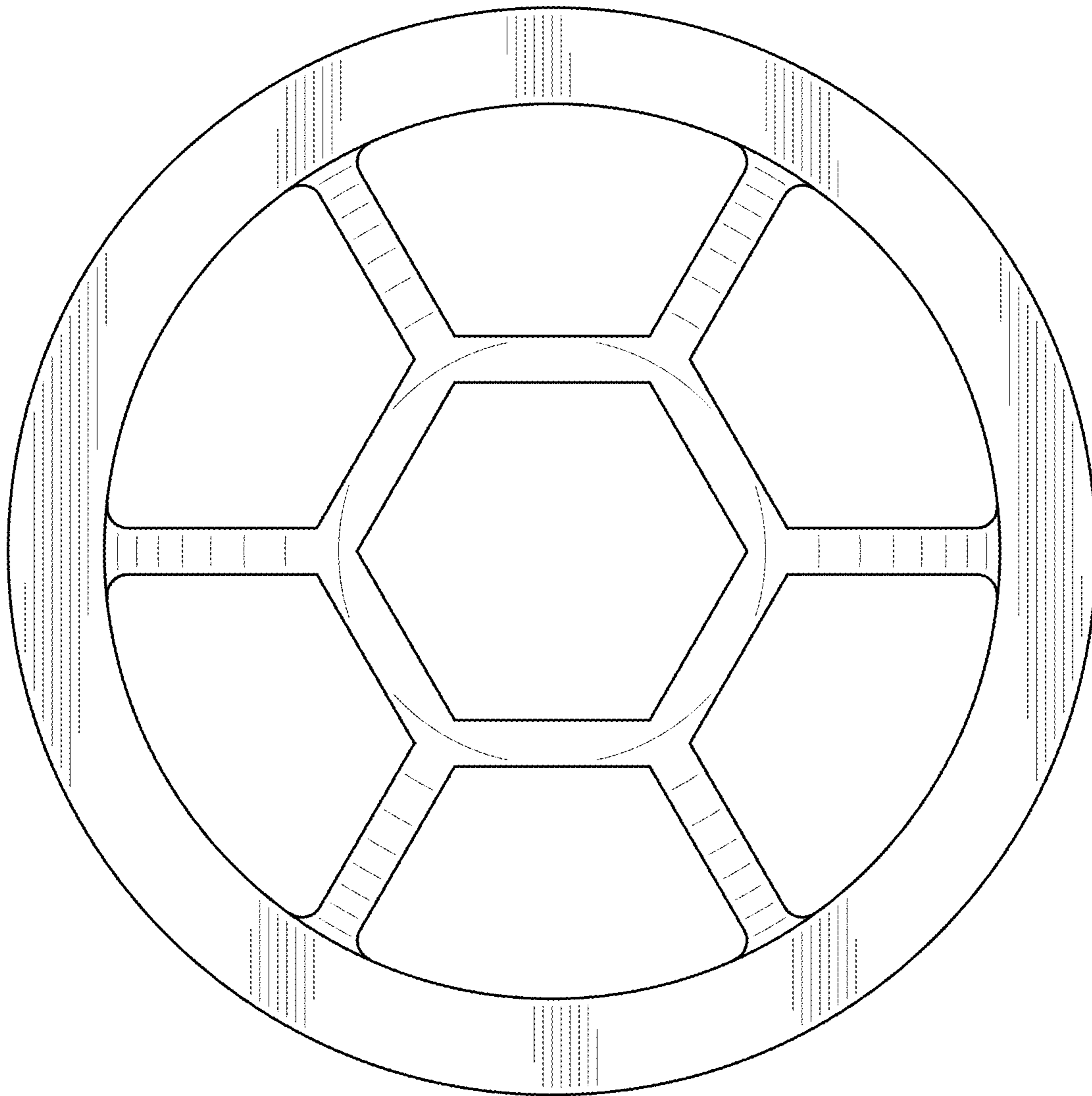


FIG. 6

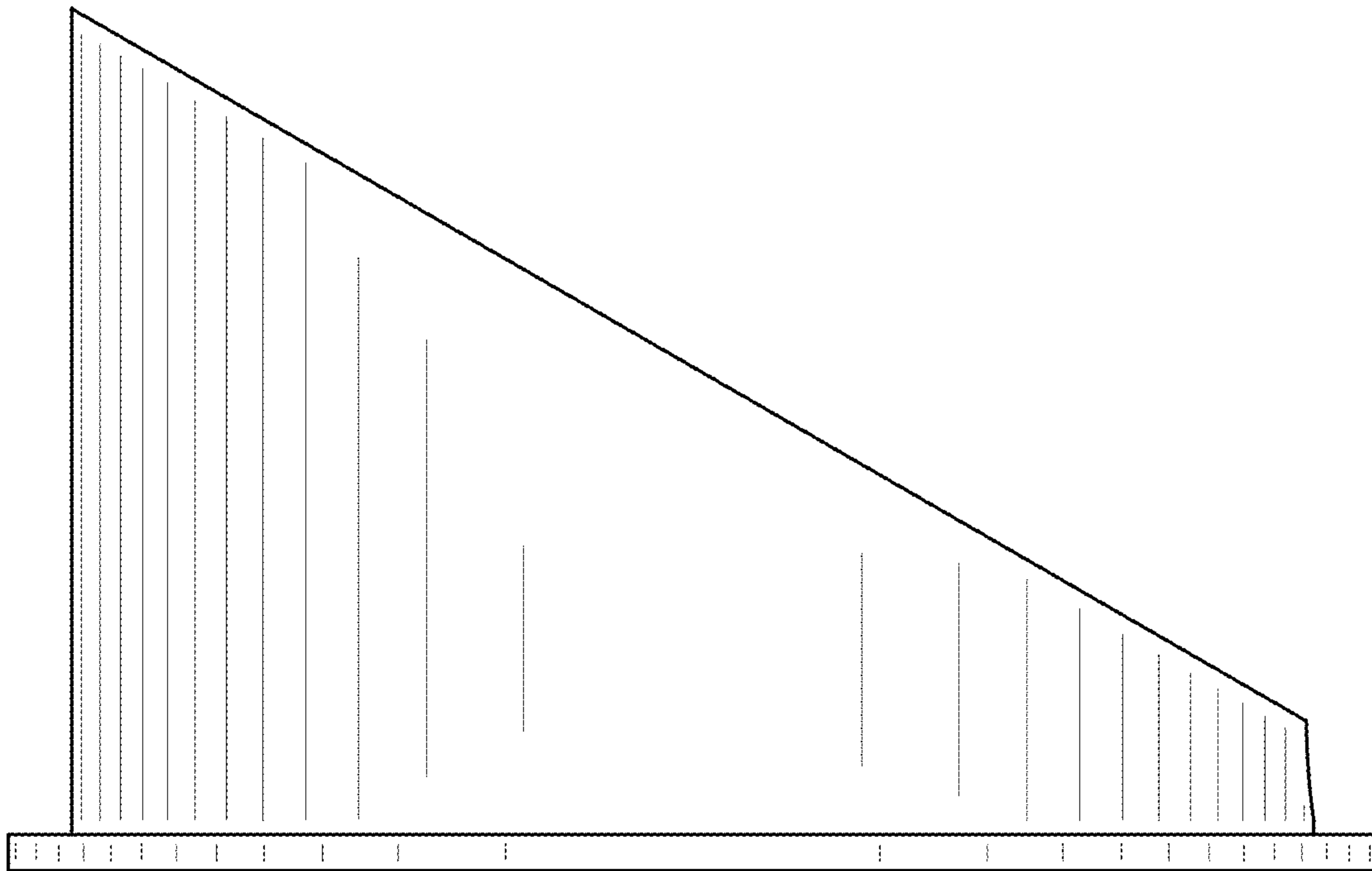


FIG. 7

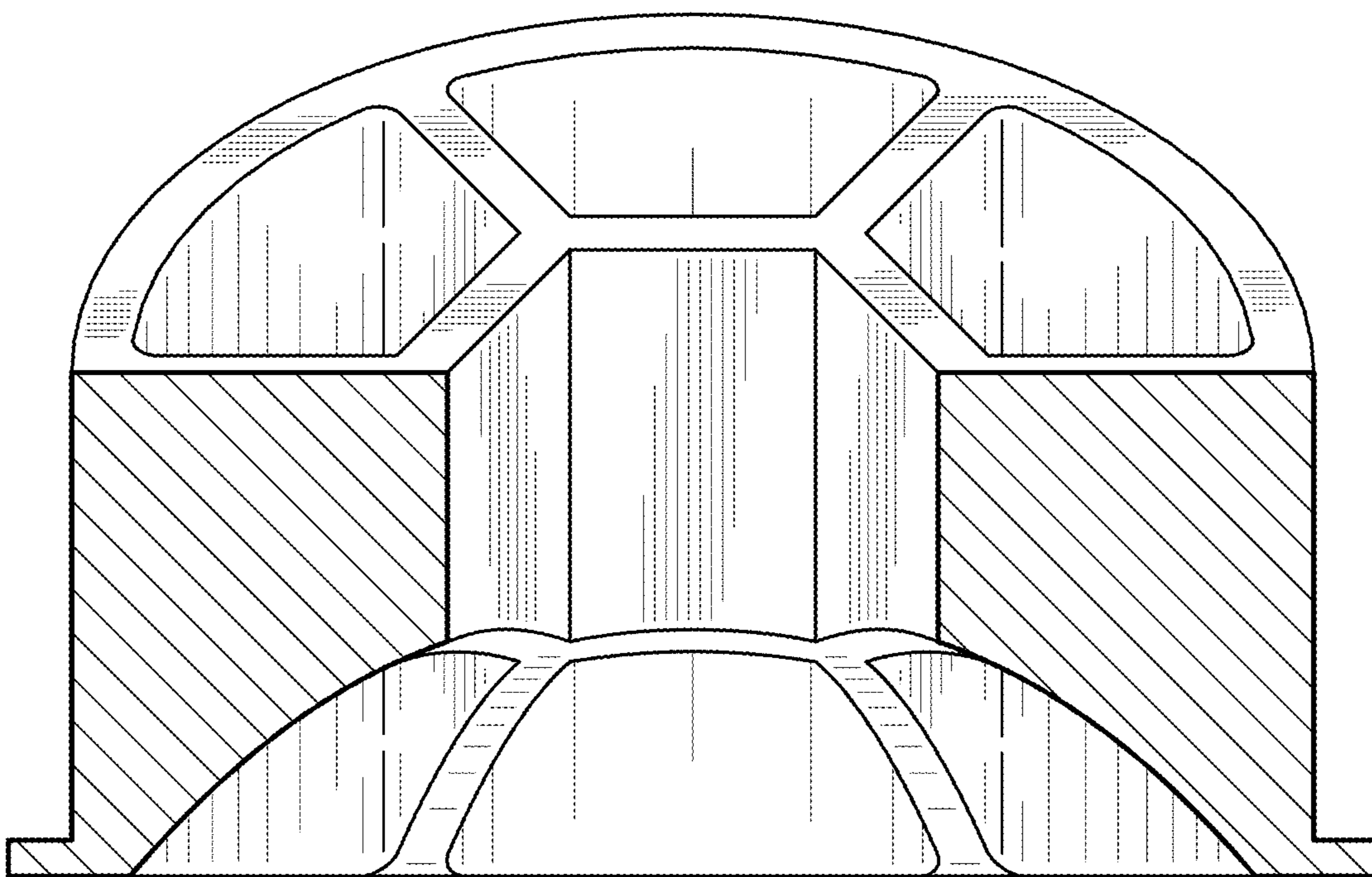


FIG. 8

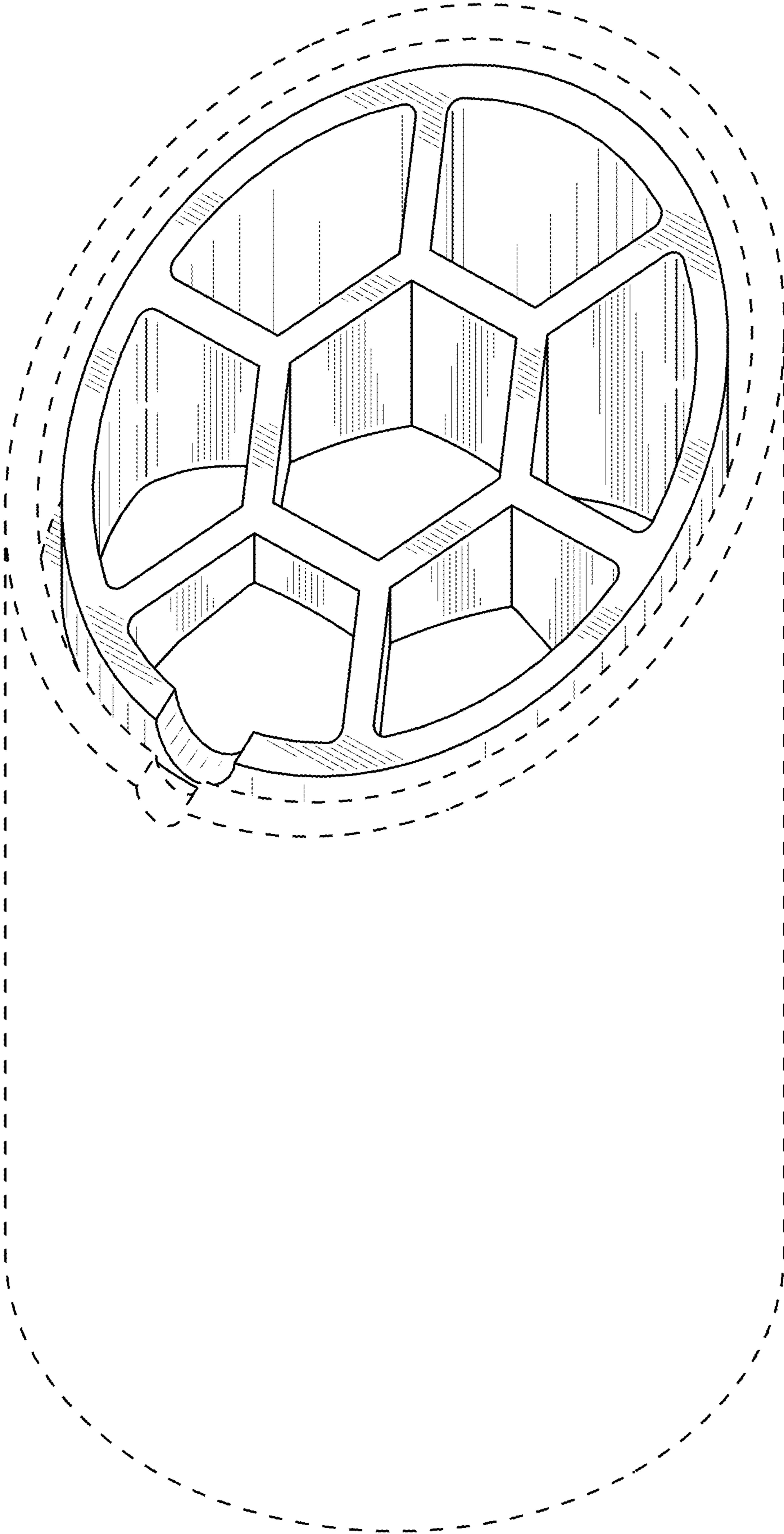


FIG. 9

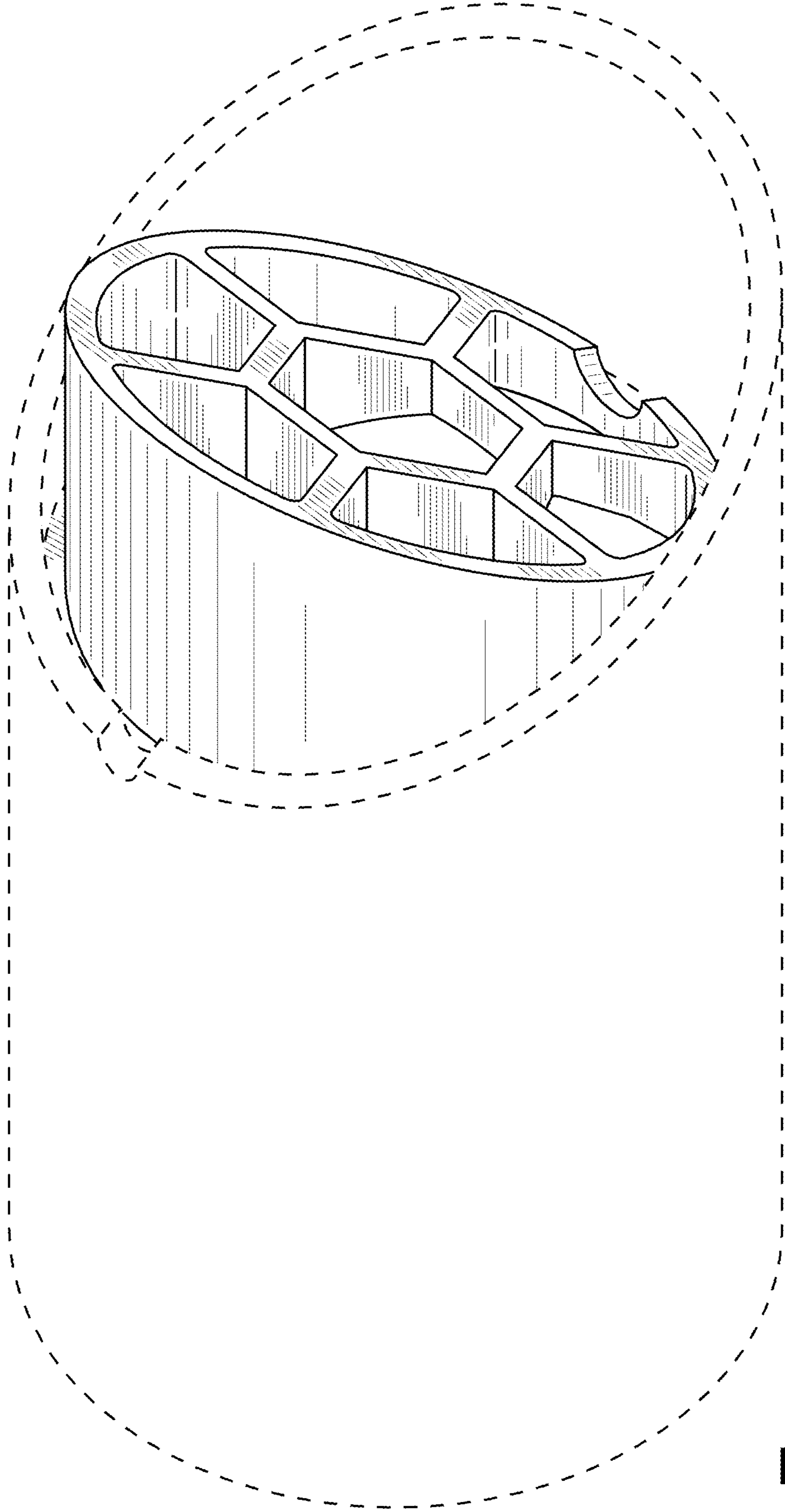


FIG. 10