



US00D925108S

(12) **United States Design Patent**  
**Yuan et al.**

(10) **Patent No.:** **US D925,108 S**  
(45) **Date of Patent:** **\*\* Jul. 13, 2021**

(54) **LAMP**

(71) Applicant: **ZHONGSHAN CITY KINGLONG LIGHTING FACTORY CO., LTD,**  
Guangdong (CN)

(72) Inventors: **Shiqiang Yuan,** Guangdong (CN);  
**Guopei Yuan,** Guangdong (CN);  
**Bujian Yuan,** Guangdong (CN)

(73) Assignee: **ZHONGSHAN CITY KINGLONG LIGHTING FACTORY CO., LTD,**  
Zhongshan (CN)

(\*\*) Term: **15 Years**

(21) Appl. No.: **29/703,496**

(22) Filed: **Aug. 28, 2019**

(51) **LOC (13) Cl.** ..... **26-05**

(52) **U.S. Cl.**  
USPC ..... **D26/118**

(58) **Field of Classification Search**  
USPC ..... D26/1, 2, 3, 15, 21, 24, 27, 31, 42, 43,  
D26/46, 65, 72, 75, 76, 78, 84, 88, 90;  
D20/10, 12; 362/263, 362, 551  
CPC ..... F21S 8/06; F21S 8/063; F21S 4/20; F21S  
4/22; F21S 4/26; F21S 4/28; F21Y  
2103/00; F21Y 2103/16; F21Y 2103/20;  
F21V 3/02

See application file for complete search history.

(56) **References Cited**

**U.S. PATENT DOCUMENTS**

D240,549 S *	7/1976	Eftekhar	.....	D26/78
D438,651 S *	3/2001	Madanat	.....	D10/115
D458,406 S *	6/2002	Nicoulaud	.....	D26/118
D492,427 S *	6/2004	Egawa	.....	D26/3
D492,428 S *	6/2004	Egawa	.....	D26/3
D565,228 S *	3/2008	Lovegrove	.....	D26/2

D573,299 S *	7/2008	Fanning	.....	D26/153
D617,936 S *	6/2010	Fanning	.....	D26/118
D653,796 S *	2/2012	Friedman	.....	D26/118
D691,750 S *	10/2013	Mackiewicz	.....	D26/3
D720,491 S *	12/2014	Anastasiades	.....	D26/88
D826,461 S *	8/2018	Sonneman	.....	D26/90
D829,960 S *	10/2018	Sonneman	.....	D26/90
D858,853 S *	9/2019	Anastasiades	.....	D26/76
D860,510 S *	9/2019	Greenberg	.....	D26/91
D866,047 S *	11/2019	Anastasiades	.....	D26/88
D866,844 S *	11/2019	Anastasiades	.....	D26/88
D879,363 S *	3/2020	Young	.....	D26/118
D890,394 S *	7/2020	Cameron	.....	D26/35
D905,896 S *	12/2020	Anastasiades	.....	D26/90
D906,584 S *	12/2020	Moses	.....	D26/138
2017/0167664 A1 *	6/2017	Li	.....	F21V 23/009
2019/0069677 A1 *	3/2019	Scharer	.....	F21V 33/0012
2020/0263859 A1 *	8/2020	Kinsley	.....	F21V 21/005
2020/0363022 A1 *	11/2020	Jiang	.....	F21V 31/005

\* cited by examiner

*Primary Examiner* — Wan Laymon  
*Assistant Examiner* — Clint A Samuel

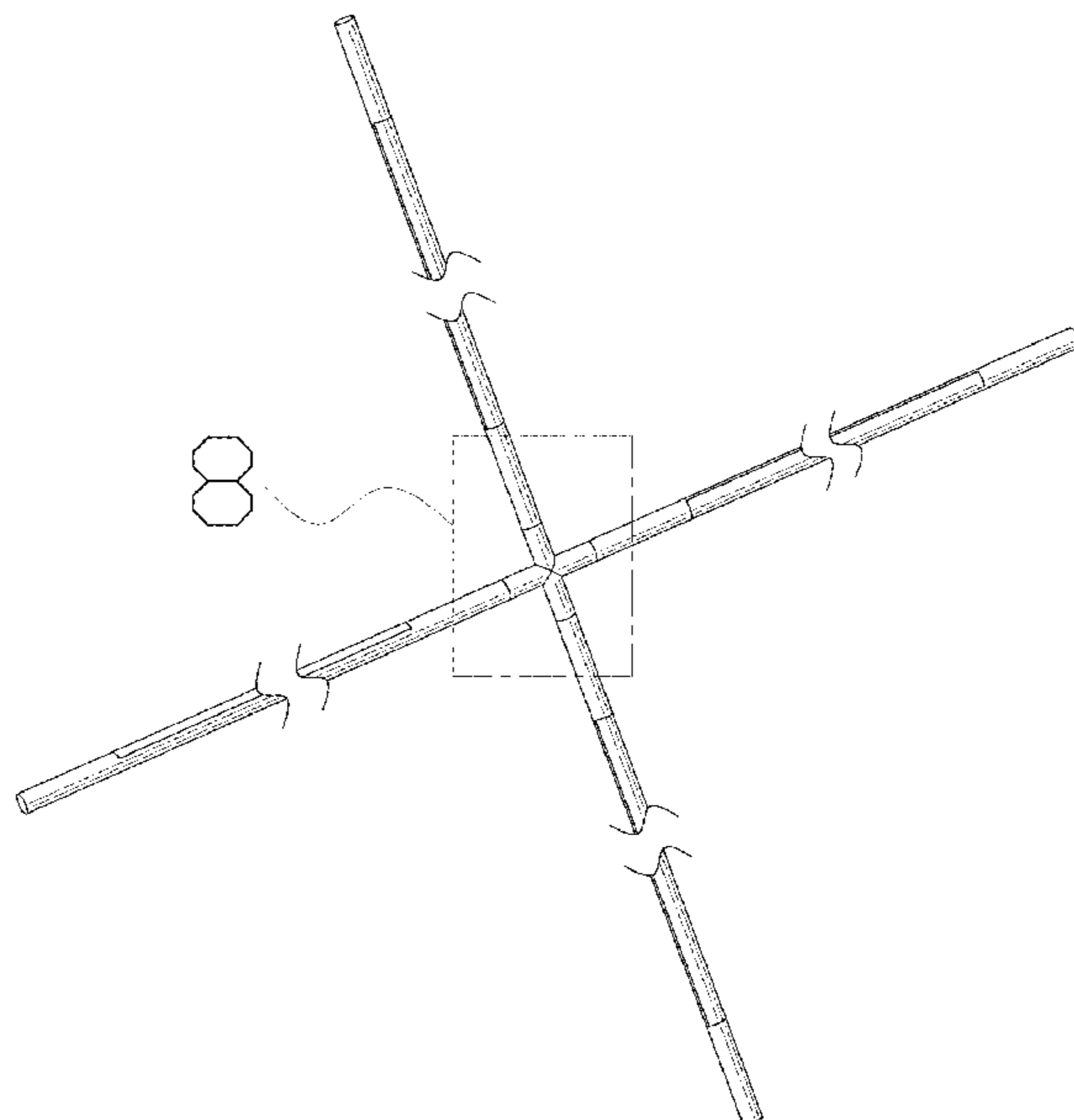
(57) **CLAIM**

The ornamental design for a lamp, as shown and described.

**DESCRIPTION**

FIG. 1 is a top, front and left side perspective view of a lamp showing our new design;  
FIG. 2 is a rear elevational view thereof;  
FIG. 3 is a front elevational view thereof;  
FIG. 4 is a top plan view thereof;  
FIG. 5 is a bottom plan view thereof;  
FIG. 6 is a left side view thereof;  
FIG. 7 is a right side view thereof; and,  
FIG. 8 is an enlarged view of portion 8 in FIG. 1.  
The lamp is shown with symbolic breaks. The appearance of any portion of the article between the break lines forms no parts of the claimed design.

**1 Claim, 8 Drawing Sheets**



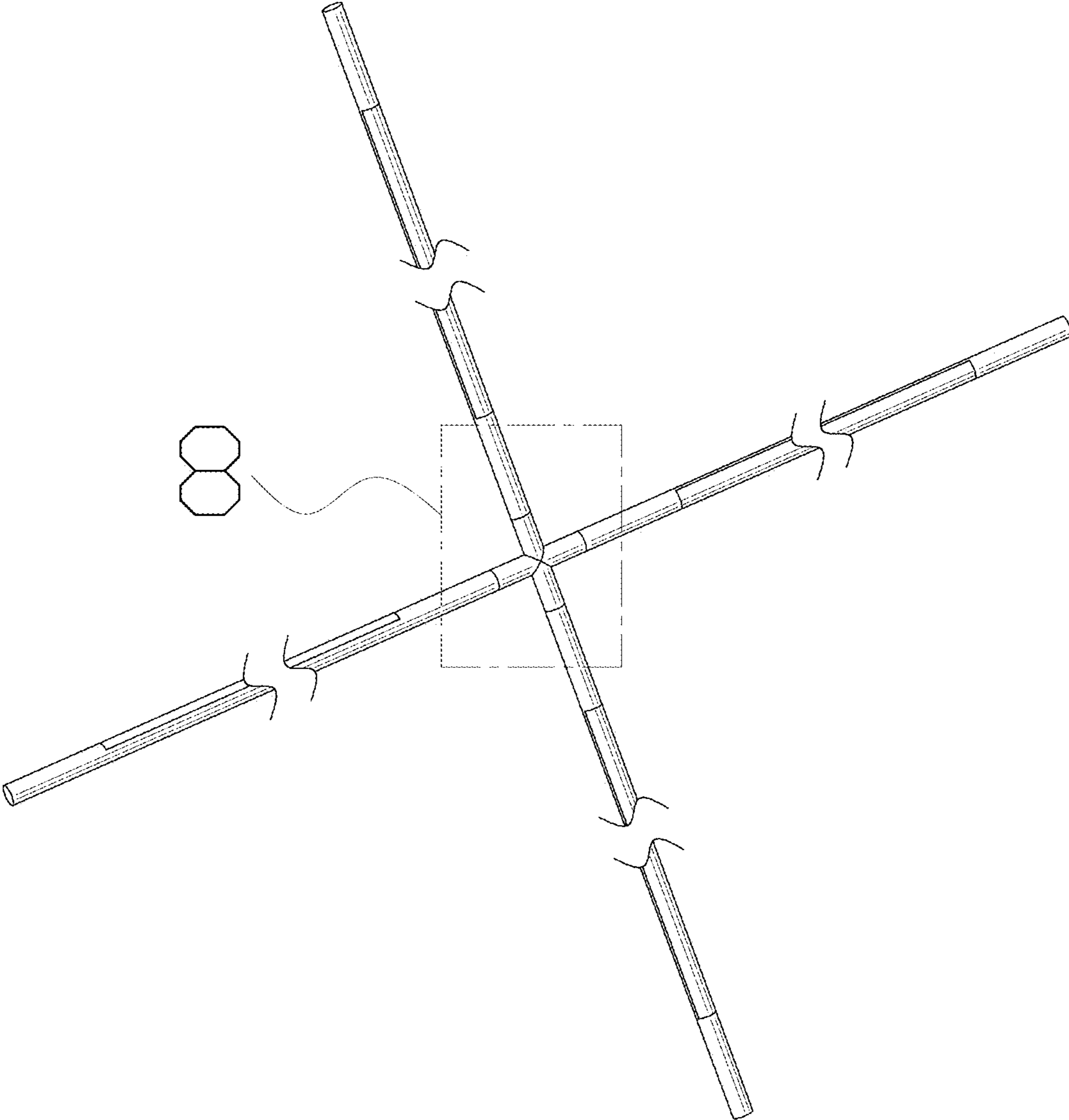


FIG. 1

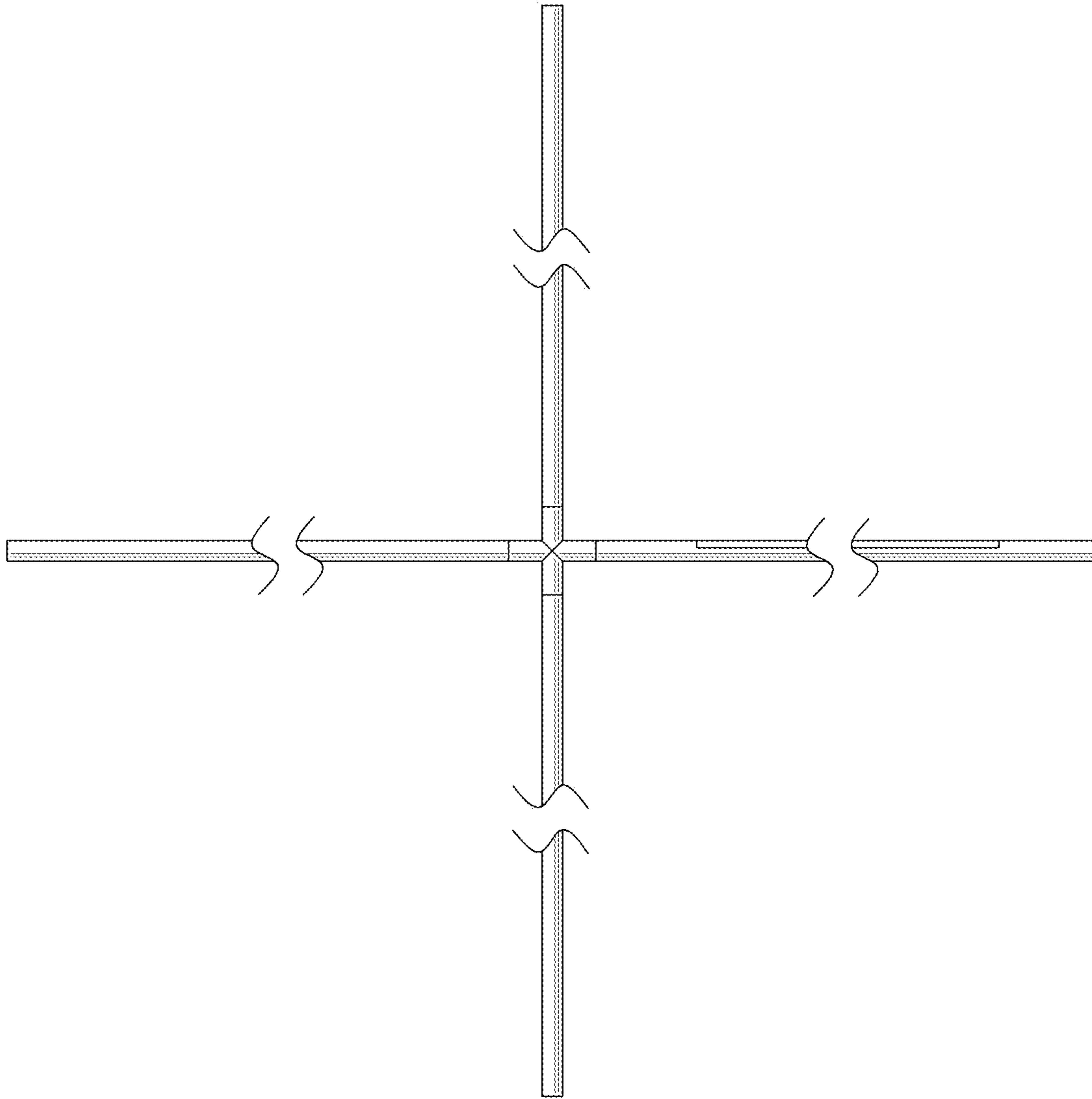


FIG. 2

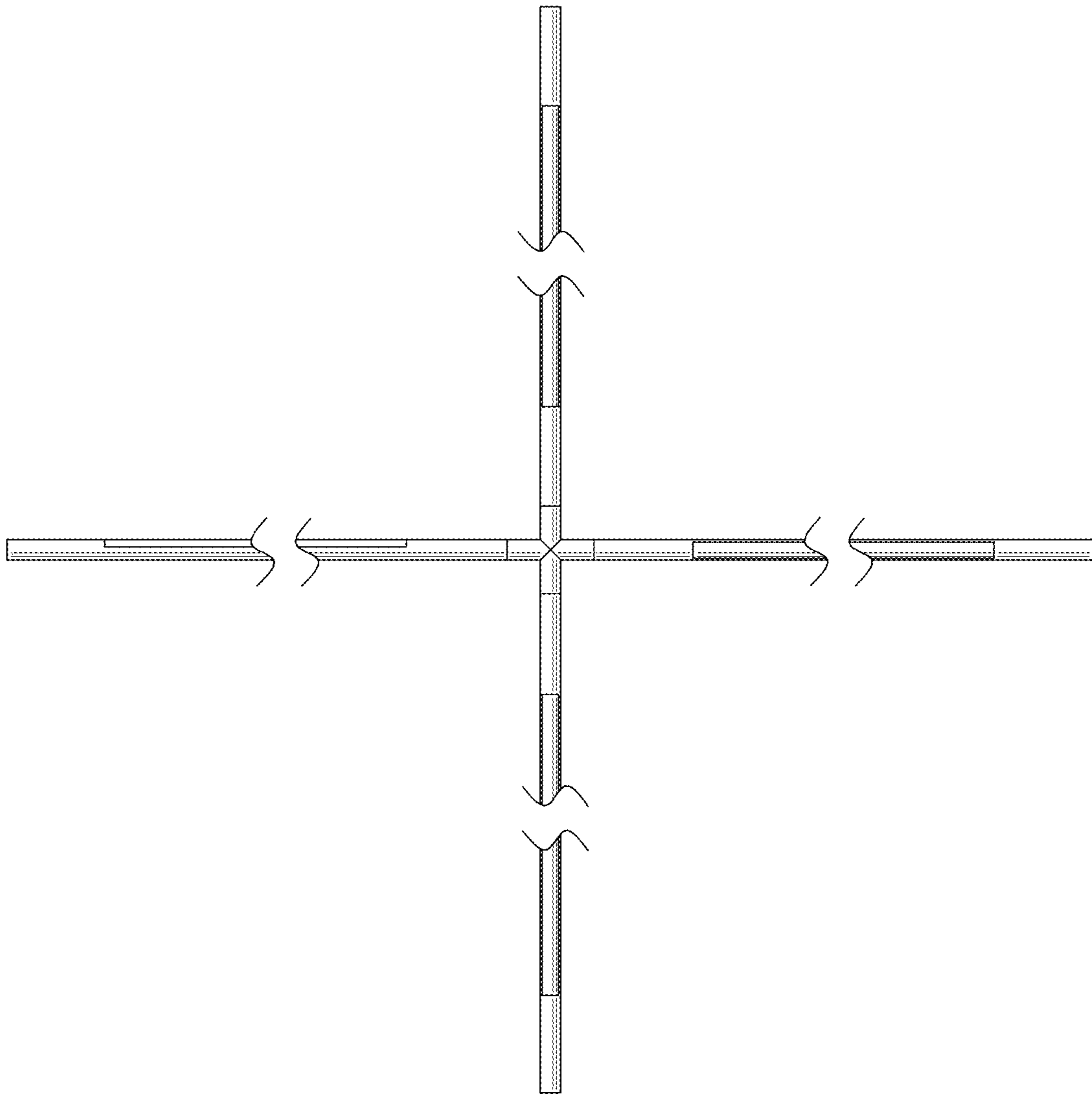


FIG. 3

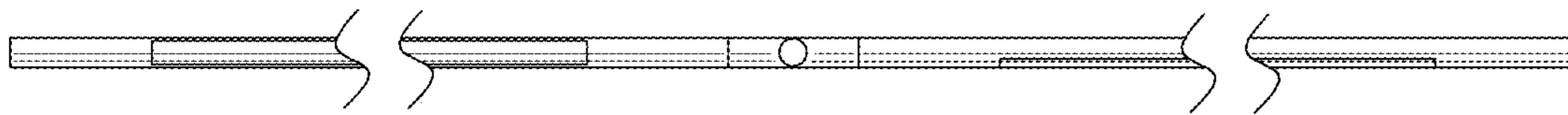


FIG. 4

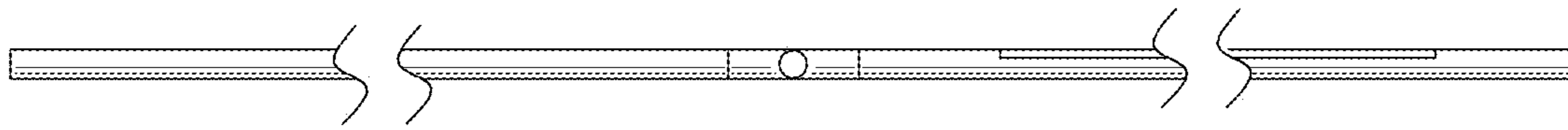


FIG. 5

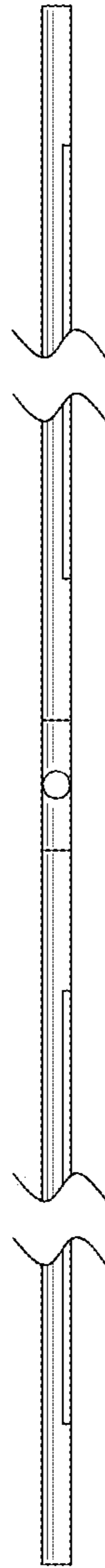


FIG. 6

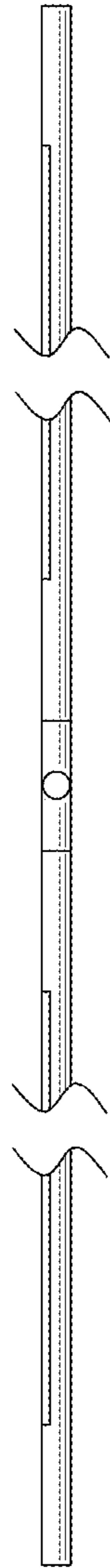


FIG. 7



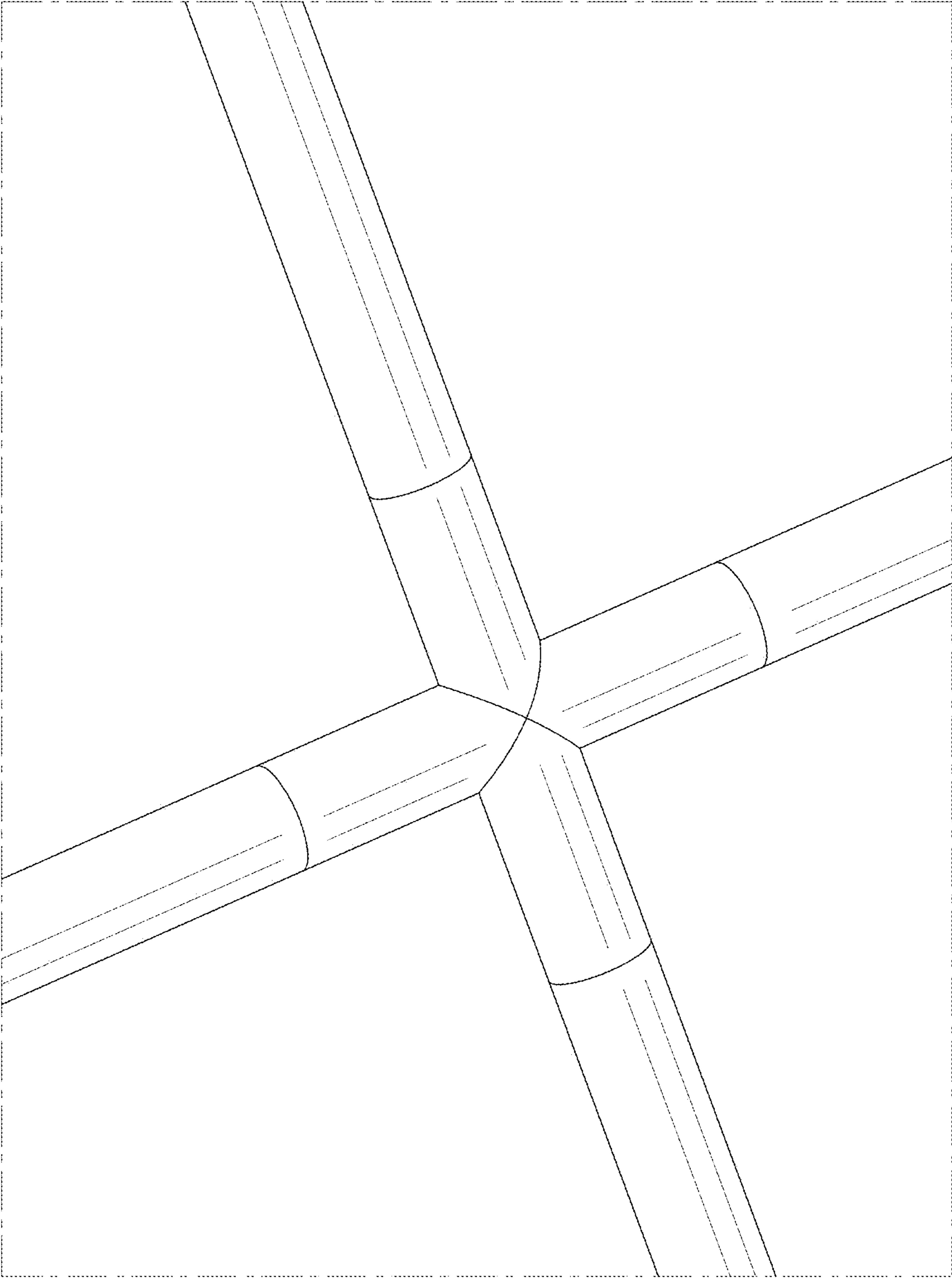


FIG. 8