



US00D925107S

(12) **United States Design Patent** (10) **Patent No.:** **US D925,107 S**
Yuan et al. (45) **Date of Patent:** **** Jul. 13, 2021**

(54) **LAMP**
(71) Applicant: **ZHONGSHAN CITY KINGLONG LIGHTING FACTORY CO., LTD,**
Guangdong (CN)
(72) Inventors: **Shiqiang Yuan,** Guangdong (CN);
Guopei Yuan, Guangdong (CN);
Bujian Yuan, Guangdong (CN)
(73) Assignee: **ZHONGSHAN CITY KINGLONG LIGHTING FACTORY CO., LTD,**
Zhongshan (CN)
(**) Term: **15 Years**
(21) Appl. No.: **29/703,495**
(22) Filed: **Aug. 28, 2019**
(51) **LOC (13) Cl.** **26-05**
(52) **U.S. Cl.**
USPC **D26/118**
(58) **Field of Classification Search**
USPC D26/1, 2, 3, 15, 21, 24, 27, 31, 42, 43,
D26/46, 65, 72, 75, 76, 78, 84, 88, 90;
D20/10, 12; 362/263, 362, 551
CPC F21S 8/06; F21S 8/063; F21S 4/20; F21S
4/22; F21S 4/26; F21S 4/28; F21Y
2103/00; F21Y 2103/16; F21Y 2103/20;
F21V 3/02
See application file for complete search history.

(56) **References Cited**
U.S. PATENT DOCUMENTS
D240,549 S * 7/1976 Eftekhari D26/78
D438,651 S * 3/2001 Madanat D10/115
D458,406 S * 6/2002 Nicoulaud D26/118
D492,427 S * 6/2004 Egawa D26/3
D492,428 S * 6/2004 Egawa D26/3
D565,228 S * 3/2008 Lovegrove D26/2

D573,299 S * 7/2008 Fanning D26/153
D617,936 S * 6/2010 Fanning D26/118
D653,796 S * 2/2012 Friedman D26/118
D691,750 S * 10/2013 Mackiewicz D26/3
D720,491 S * 12/2014 Anastassiades D26/88
D826,461 S * 8/2018 Sonneman D26/90
D829,960 S * 10/2018 Sonneman D26/90
D858,853 S * 9/2019 Anastassiades D26/76
D860,510 S * 9/2019 Greenberg D26/91
D866,047 S * 11/2019 Anastassiades D26/88
D866,844 S * 11/2019 Anastassiades D26/88
D879,363 S * 3/2020 Young D26/118
D890,394 S * 7/2020 Cameron D26/35
D905,896 S * 12/2020 Anastassiades D26/90
D906,584 S * 12/2020 Moses D26/138
2017/0167664 A1 * 6/2017 Li F21V 23/009
2019/0069677 A1 * 3/2019 Scharer F21V 33/0012

(Continued)

Primary Examiner — Wan Laymon
Assistant Examiner — Clint A Samuel

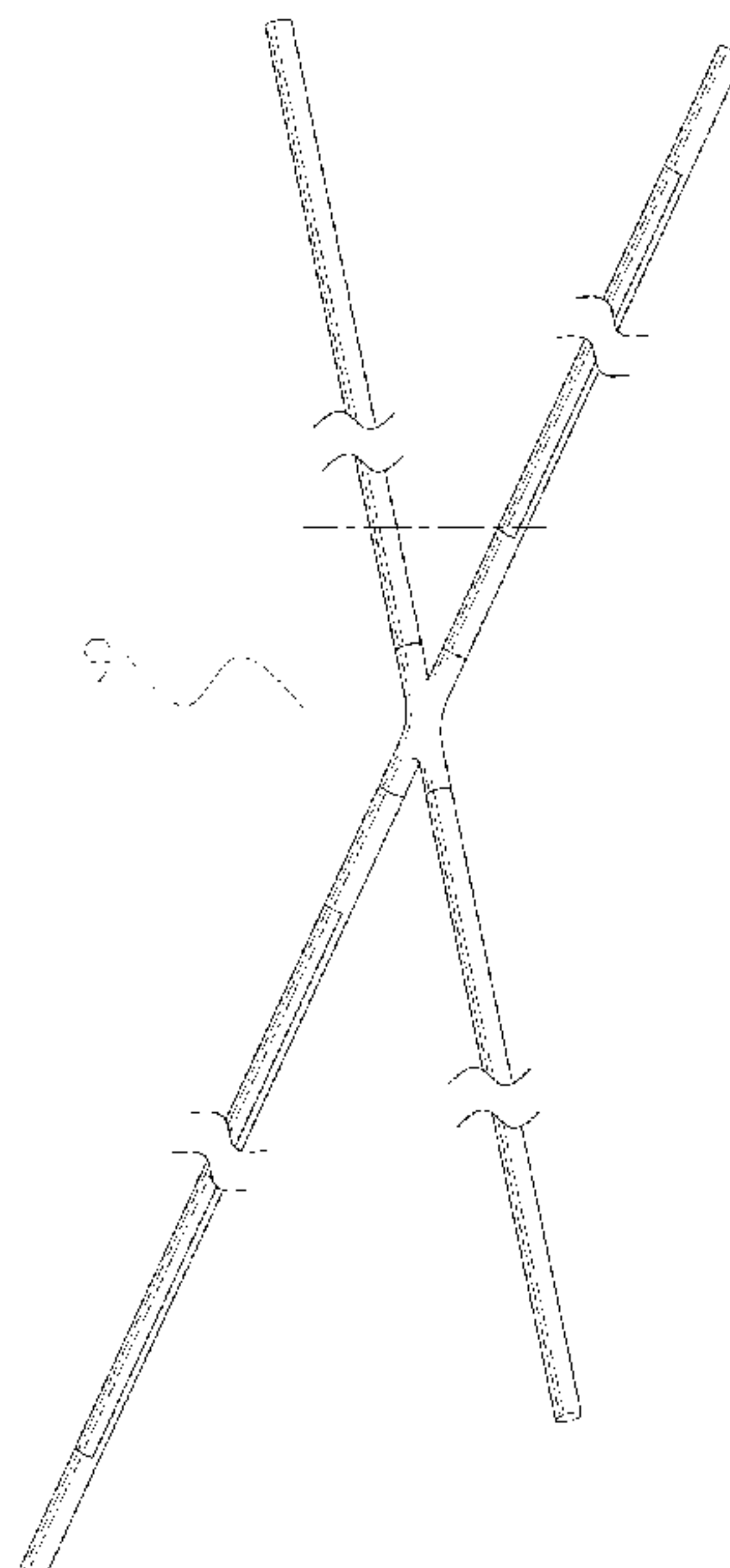
(57) **CLAIM**

The ornamental design for a lamp, as shown and described.

DESCRIPTION

FIG. 1 is a bottom, front and right side perspective view of a lamp showing our new design;
FIG. 2 is a front elevational view thereof;
FIG. 3 is a rear elevational view thereof;
FIG. 4 is a right side view thereof;
FIG. 5 is a left side view thereof;
FIG. 6 is a bottom plan view thereof;
FIG. 7 is a top plan view thereof;
FIG. 8 is a top, rear and left side perspective view thereof;
and,
FIG. 9 is an enlarged view of portion 9 in FIG. 1.
The lamp is shown with symbolic breaks. The appearance of any portion of the article between the break lines forms no parts of the claimed design.

1 Claim, 9 Drawing Sheets



(56)

References Cited

U.S. PATENT DOCUMENTS

2020/0263859 A1* 8/2020 Kinsley F21V 21/005
2020/0363022 A1* 11/2020 Jiang F21V 31/005

* cited by examiner

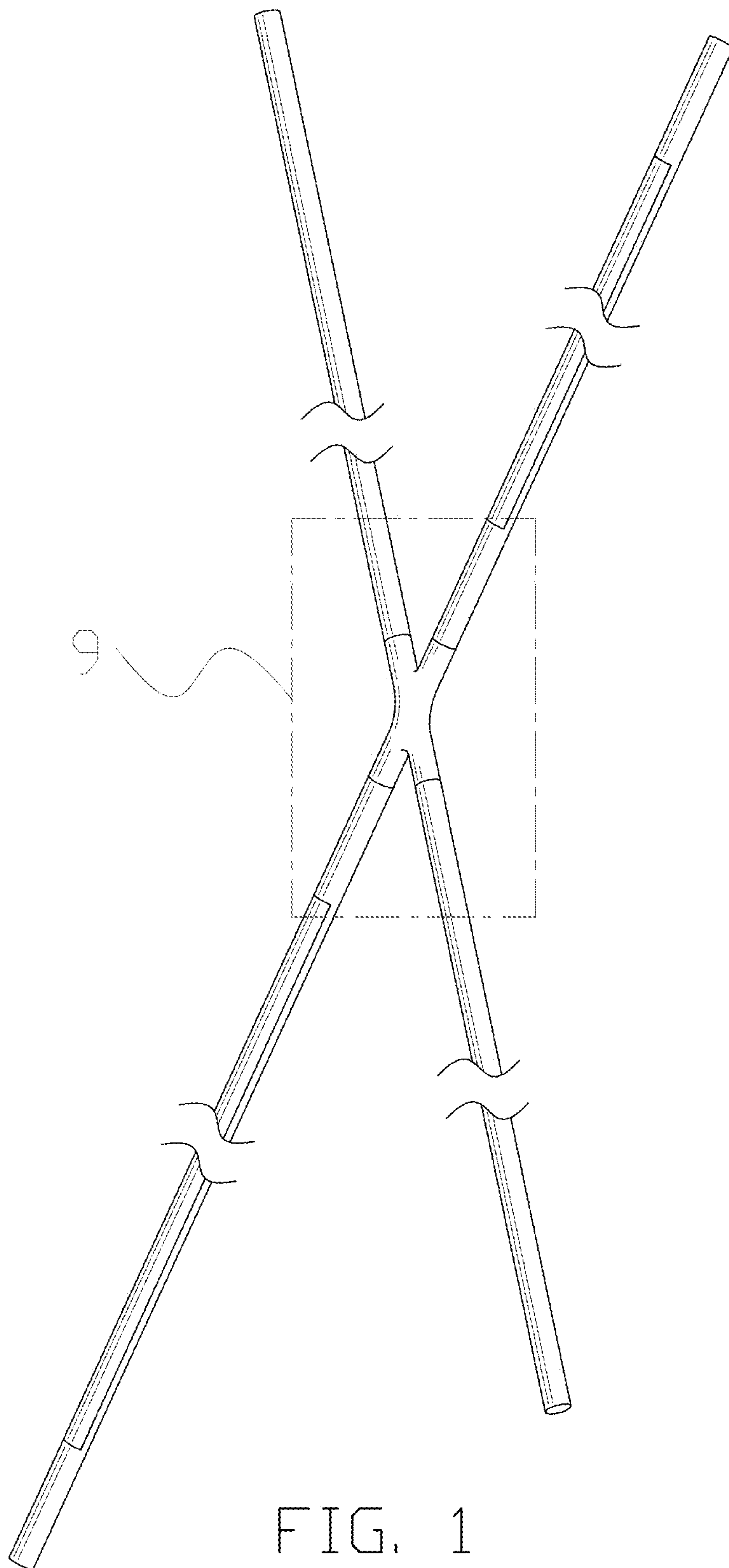


FIG. 1

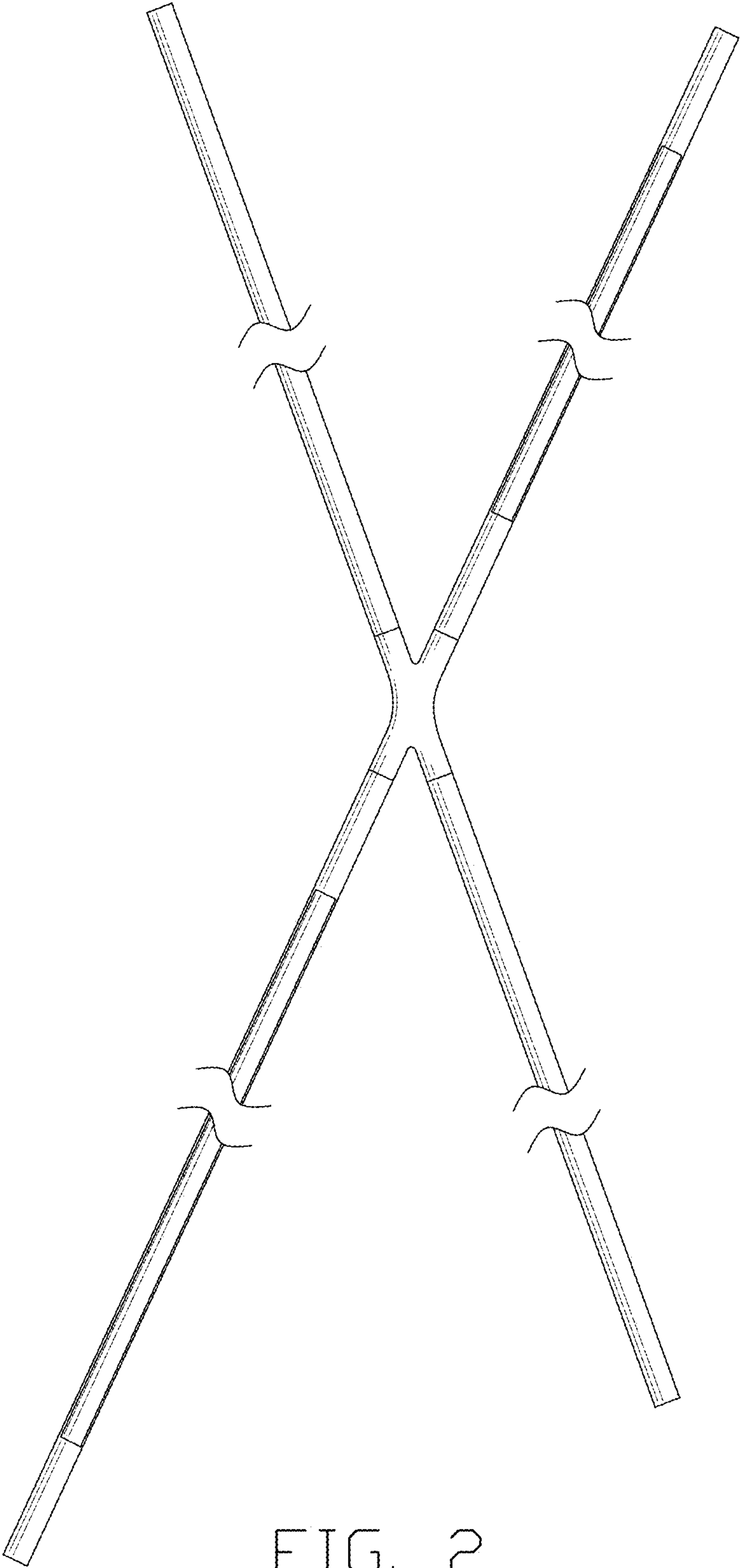


FIG. 2

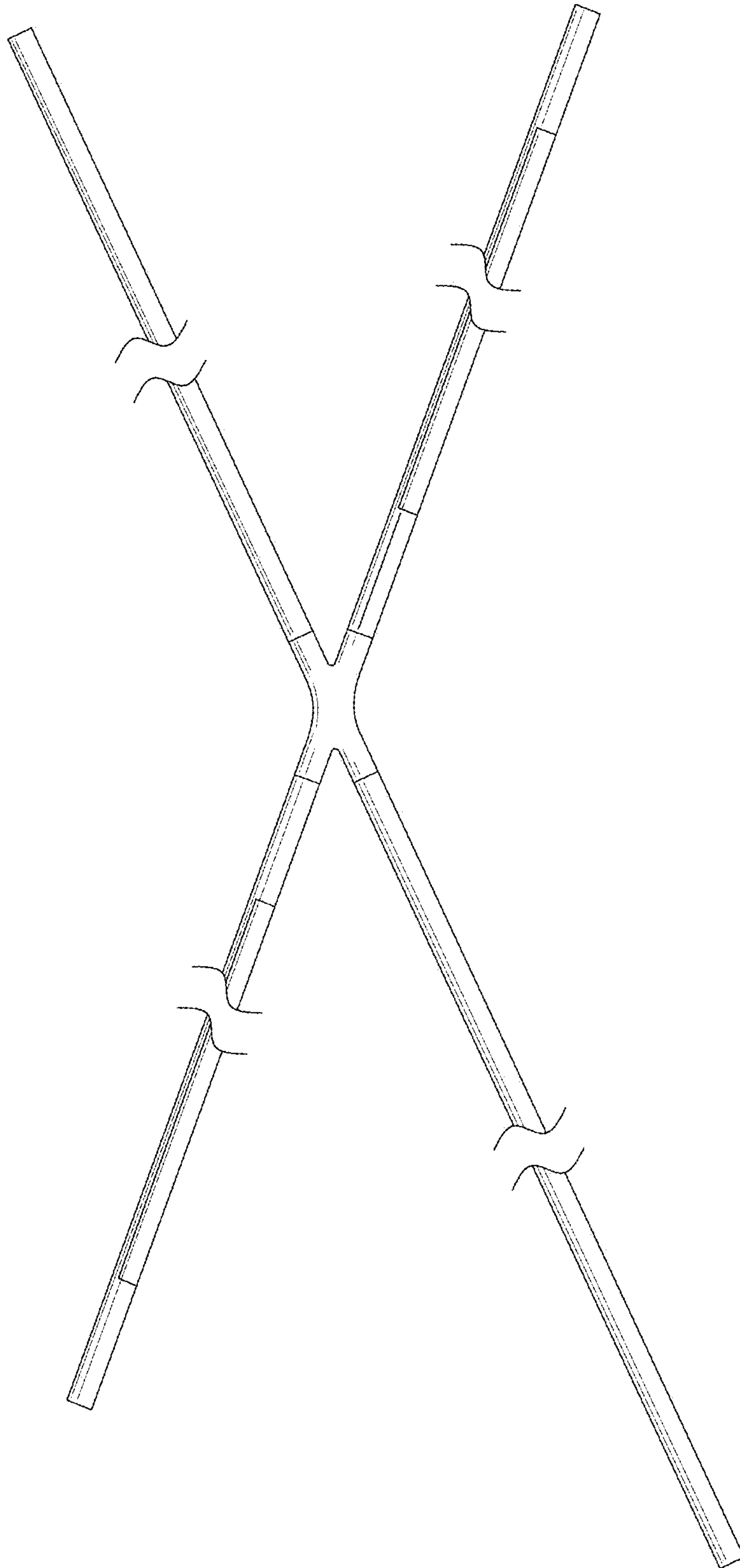


FIG. 3

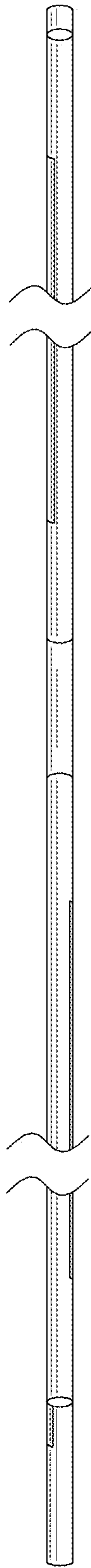


FIG. 4

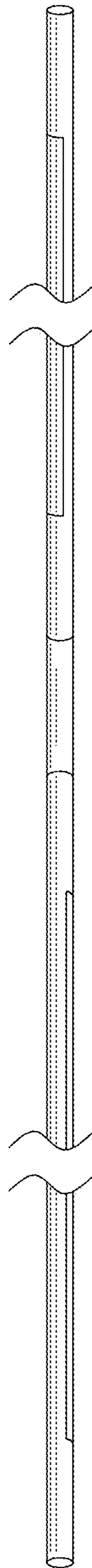


FIG. 5

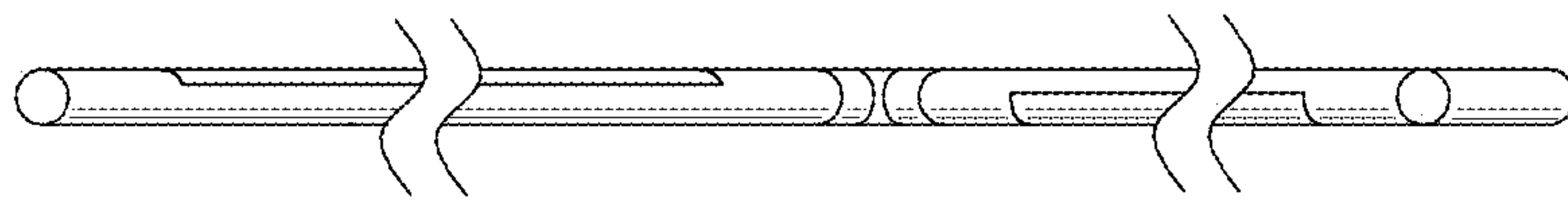


FIG. 6

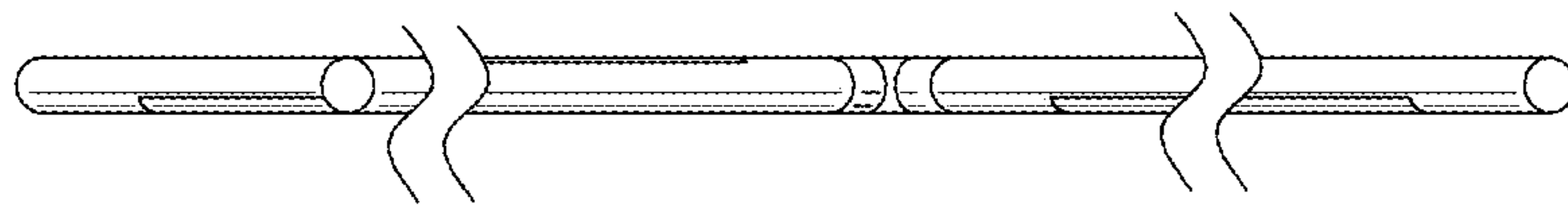


FIG. 7

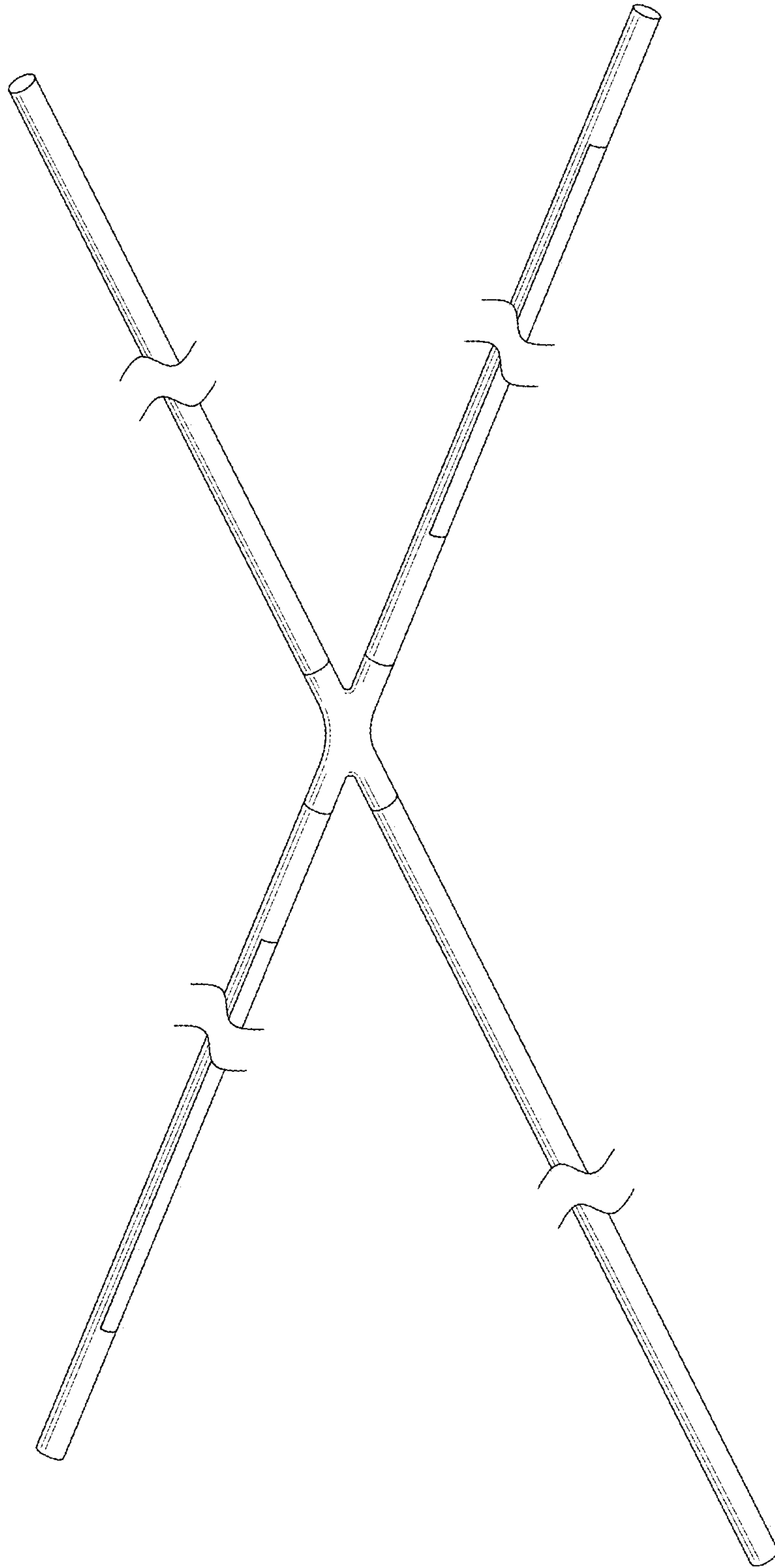


FIG. 8

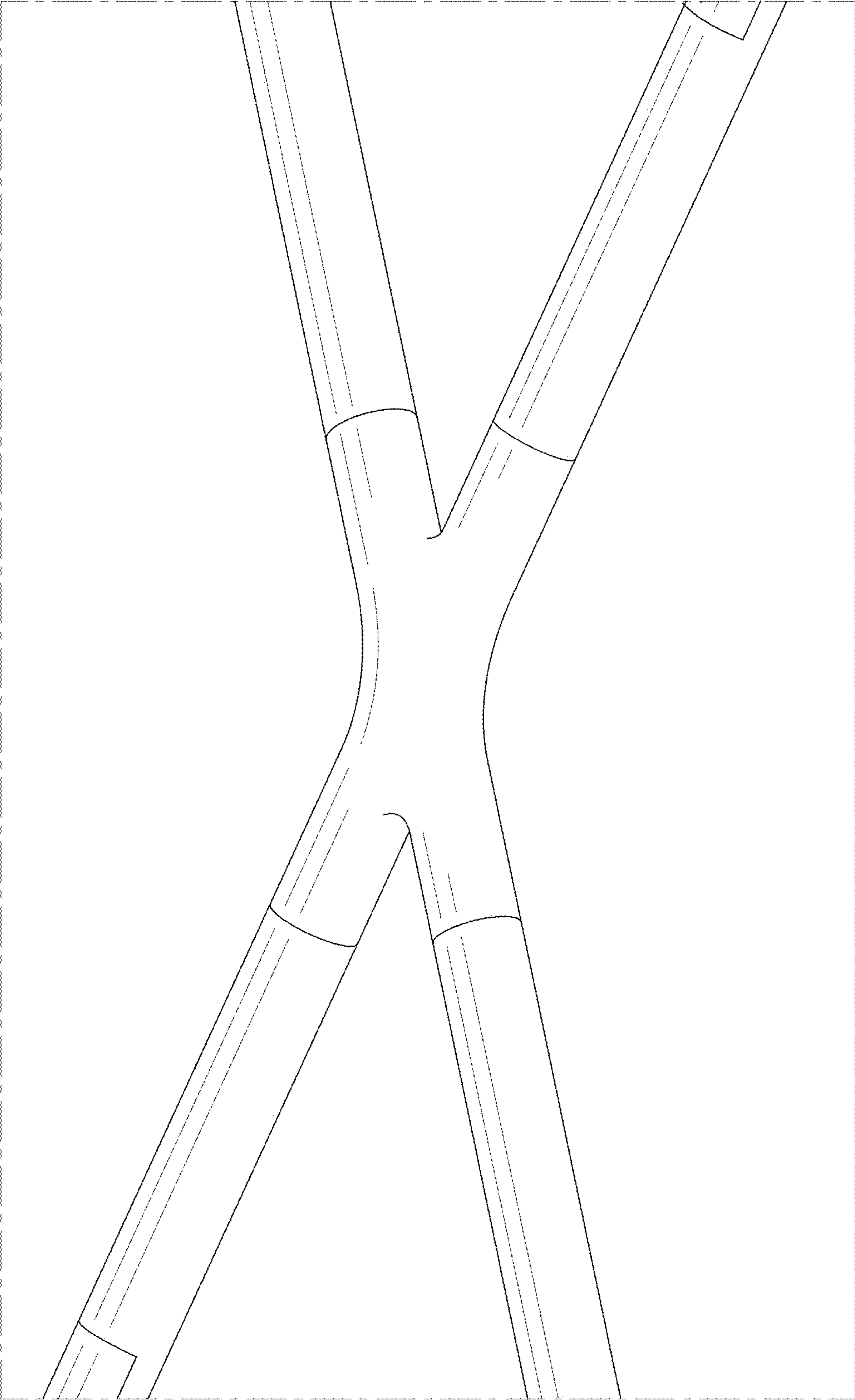


FIG. 9