

US00D925105S

(12) **United States Design Patent**  
**Johnson et al.**

(10) **Patent No.:** **US D925,105 S**

(45) **Date of Patent:** **\*\* Jul. 13, 2021**

(54) **FLAT PANEL GROW LIGHT**  
(71) Applicant: **HORTICULTURE LIGHTING GROUP CORP.**, Westerville, OH (US)  
(72) Inventors: **Stephen Johnson**, Westerville, OH (US); **Amit Chandna**, Westerville, OH (US)  
(73) Assignee: **Horticulture Lighting Group Corp.**, Westerville, OH (US)

D693,397 S \* 11/2013 Zhan ..... D16/239  
D711,030 S \* 8/2014 Zhan ..... D26/65  
D711,576 S \* 8/2014 Zhan ..... D26/63  
D711,577 S \* 8/2014 Zhan ..... D26/65  
D742,581 S \* 11/2015 Akiyama ..... D26/113  
D806,281 S \* 12/2017 Shirilla ..... D26/1  
D814,678 S \* 4/2018 Zhan ..... D26/63  
D819,875 S \* 6/2018 Yorio ..... D26/118  
D827,179 S \* 8/2018 Mou ..... D26/72  
D846,785 S \* 4/2019 Luo ..... D26/74  
D849,992 S \* 5/2019 Deng ..... D26/120  
D869,544 S \* 12/2019 Zhan ..... D16/237

(Continued)

(\*\*) Term: **15 Years**

*Primary Examiner* — Wan Laymon  
*Assistant Examiner* — Clint A Samuel

(21) Appl. No.: **29/693,628**

(74) *Attorney, Agent, or Firm* — Thomas A. Kulaga;  
Knox Patents

(22) Filed: **Jun. 4, 2019**

(51) **LOC (13) Cl.** ..... **26-05**

(57) **CLAIM**

(52) **U.S. Cl.**  
USPC ..... **D26/118; D26/72; D26/76**

The ornamental design for a flat panel grow light, as shown and described.

(58) **Field of Classification Search**  
USPC ..... D26/24, 55, 59, 72, 74, 76, 78, 80, 89, D26/118, 120, 121; D16/237, 250; D14/126, 127, 255, 257

**DESCRIPTION**

CPC ..... F21S 8/00; F21S 8/04; F21S 8/08; F21S 8/003; F21S 8/031; F21S 8/043; F21S 4/00; F21S 4/28; F21S 2/00; F21V 7/00; F21V 7/008; F21V 5/007; F21V 5/008; F21V 21/00; F21V 21/02; F21W 2131/00; F21W 2131/40; F21W 2131/109  
See application file for complete search history.

FIG. 1 is a bottom view of one embodiment of the flat panel grow light.  
FIG. 2 is a top view thereof.  
FIG. 3 is a front view thereof.  
FIG. 4 is a rear side view thereof.  
FIG. 5 is a left side view thereof.  
FIG. 6 is a right side view thereof.  
FIG. 7 is a bottom view of another embodiment of the flat panel grow light.  
FIG. 8 is a top view thereof.  
FIG. 9 is a front view thereof.  
FIG. 10 is a rear side view thereof.  
FIG. 11 is a left side view thereof; and,  
FIG. 12 is a right side view thereof.

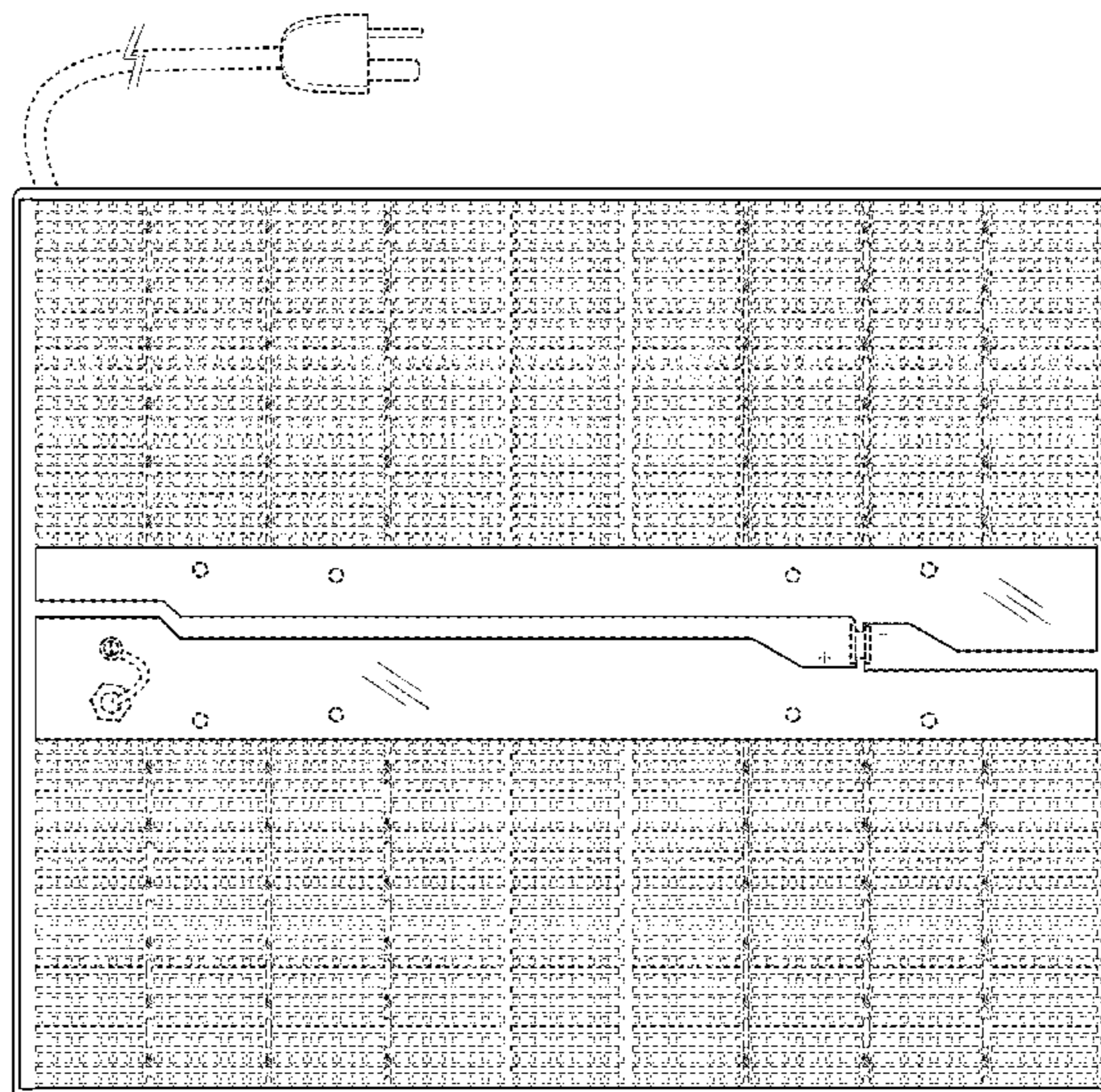
The broken lines in the figures are for the purpose of illustrating portions of the flat panel grow light that form no part of the claimed design.

(56) **References Cited**

U.S. PATENT DOCUMENTS

D315,694 S \* 3/1991 Thorp ..... D10/114.2  
6,578,976 B2 \* 6/2003 Bothe ..... F21S 8/00  
362/11  
8,292,449 B2 \* 10/2012 Poissonnet ..... F21V 25/12  
362/101  
D671,246 S \* 11/2012 Inoue ..... D26/24  
D679,036 S \* 3/2013 Inoue ..... D26/24

**1 Claim, 8 Drawing Sheets**



(56)

**References Cited**

## U.S. PATENT DOCUMENTS

D870,358 S \* 12/2019 Hu ..... D26/120  
D887,605 S \* 6/2020 Zhan ..... D26/61  
D893,076 S \* 8/2020 Liu ..... D26/76  
D893,077 S \* 8/2020 Liu ..... D26/76  
D893,078 S \* 8/2020 Liu ..... D26/76  
D898,977 S \* 10/2020 Camillo ..... D26/76  
D901,059 S \* 11/2020 Su ..... D26/72  
D901,743 S \* 11/2020 Wang ..... D26/72  
D907,833 S \* 1/2021 Xie ..... D26/74  
D908,271 S \* 1/2021 Hawthorne ..... D26/120  
D910,222 S \* 2/2021 Zhang ..... D26/72  
2002/0024804 A1 \* 2/2002 Bothe ..... F21V 3/00  
362/604  
2011/0019416 A1 \* 1/2011 Poissonnet ..... F21S 8/00  
362/249.02  
2016/0215932 A1 \* 7/2016 Myers ..... F21V 23/023  
2017/0097147 A1 \* 4/2017 Myers ..... G02F 1/133603  
2017/0299144 A1 \* 10/2017 Rosen ..... F21S 8/003  
2018/0038578 A1 \* 2/2018 Son ..... F21V 19/0015  
2018/0066829 A1 \* 3/2018 Zhan ..... F21V 13/02  
2018/0087755 A1 \* 3/2018 Yorio ..... A01G 9/26  
2018/0266668 A1 \* 9/2018 Myers ..... F21K 9/64  
2019/0178479 A1 \* 6/2019 Liu ..... G03B 15/02

\* cited by examiner

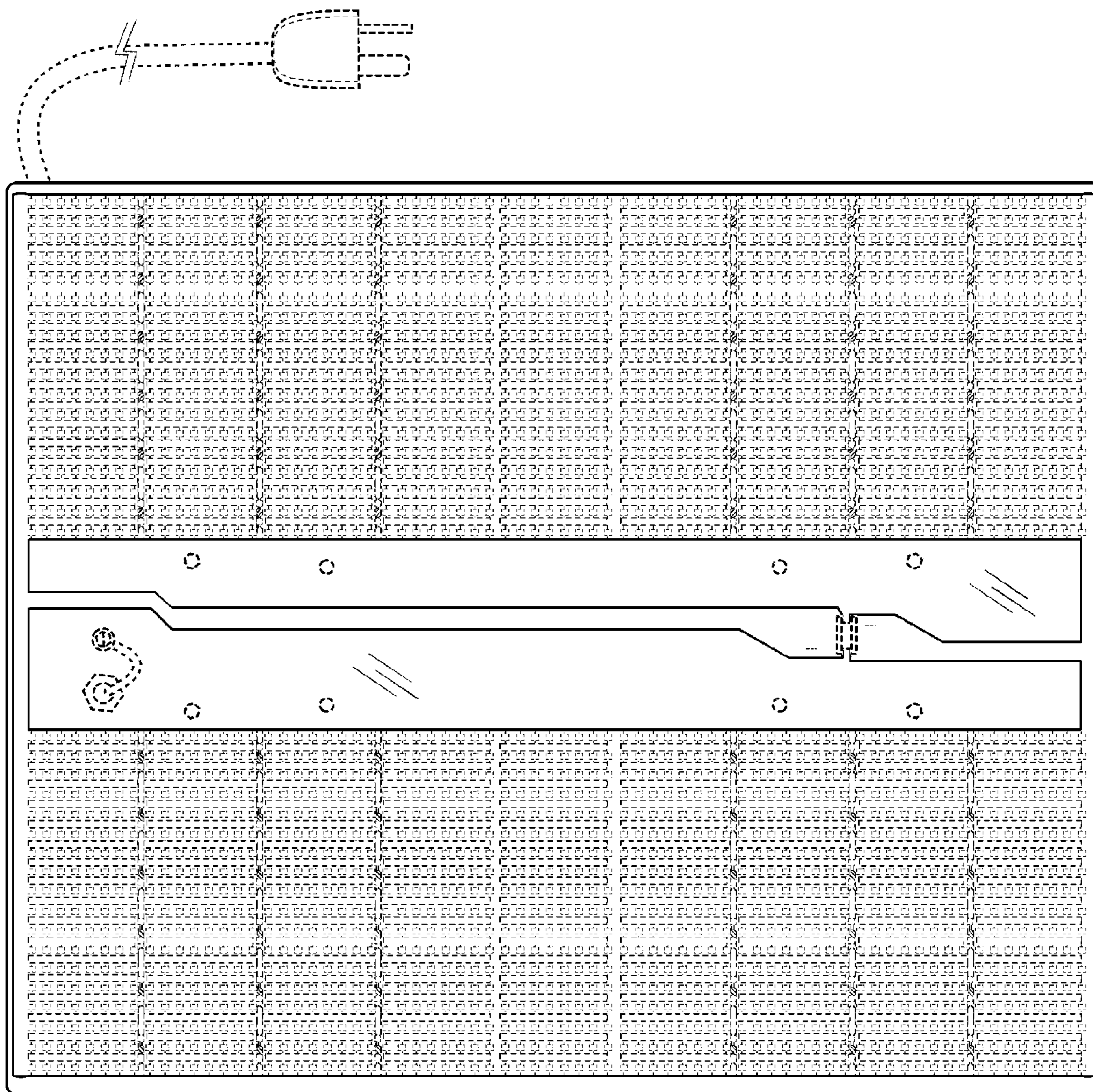


Fig. 1

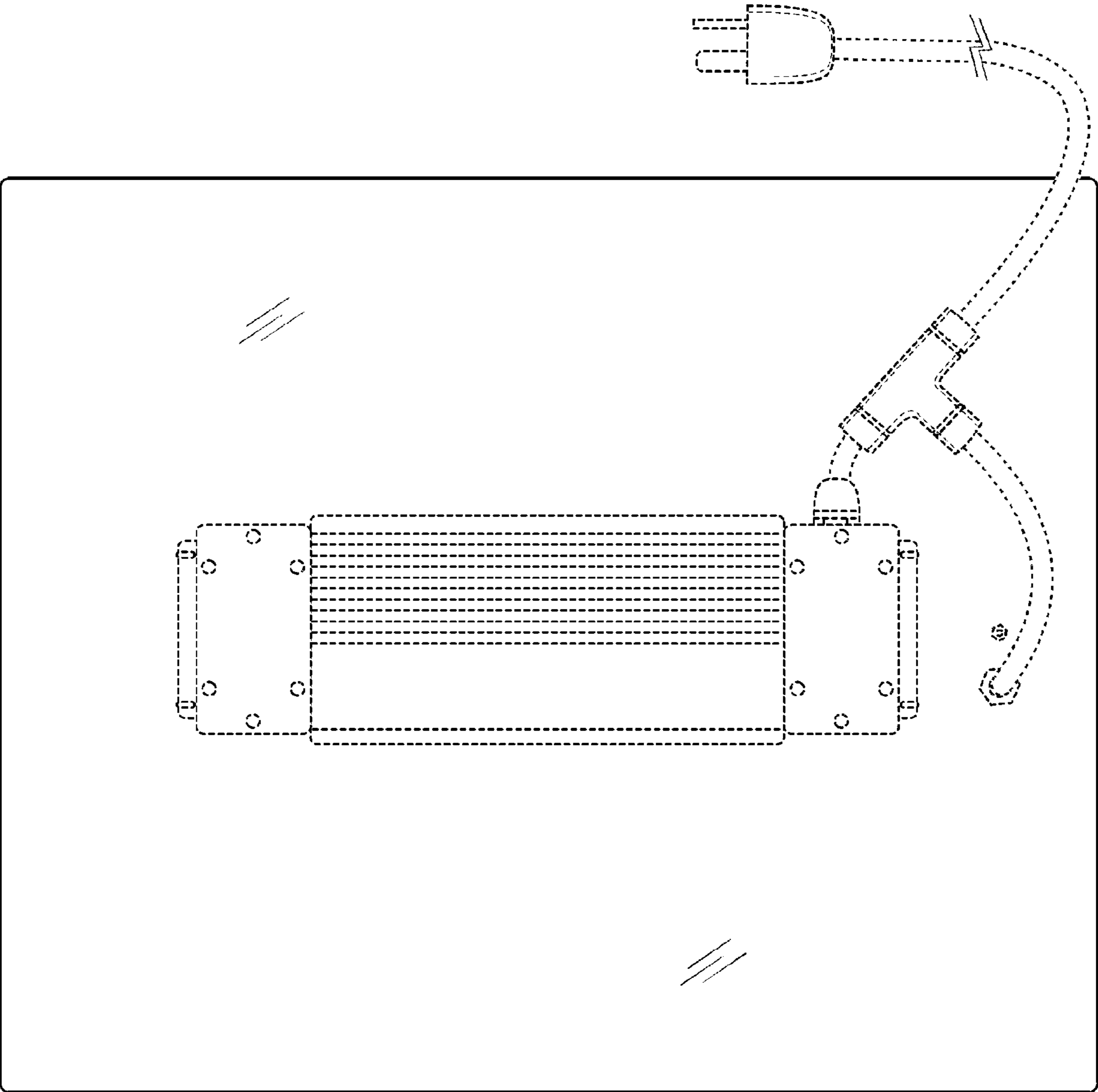


Fig. 2

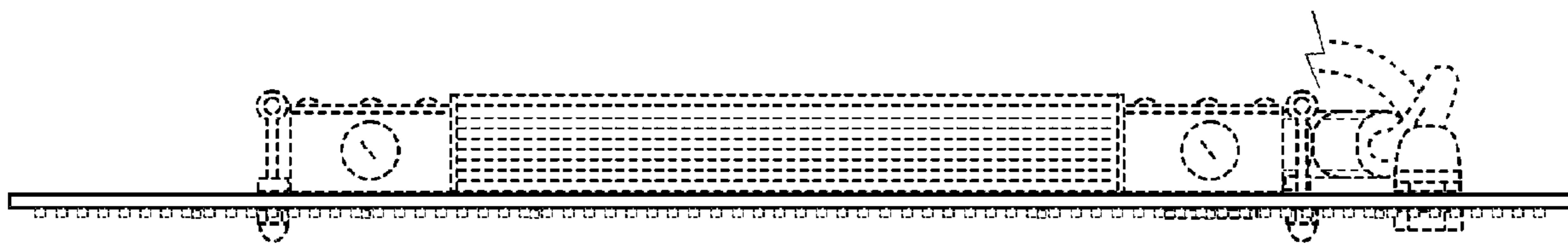


Fig. 3

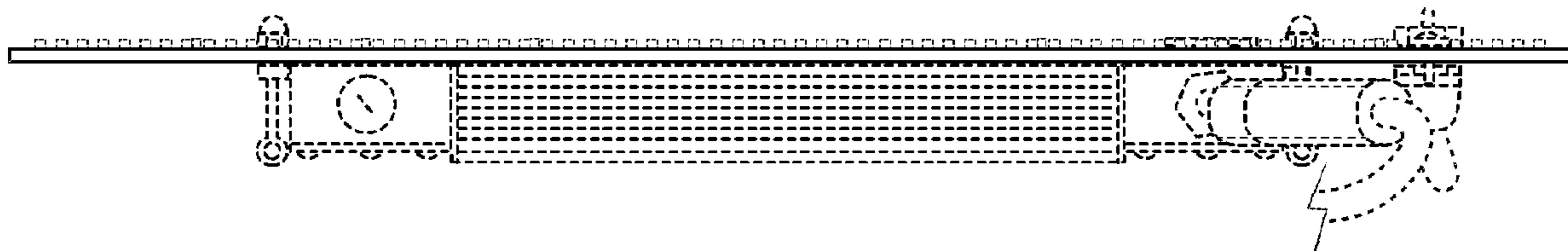


Fig. 4

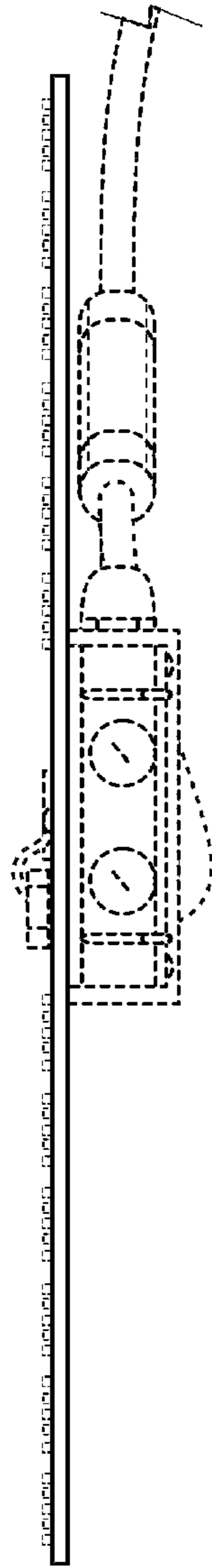


Fig. 5

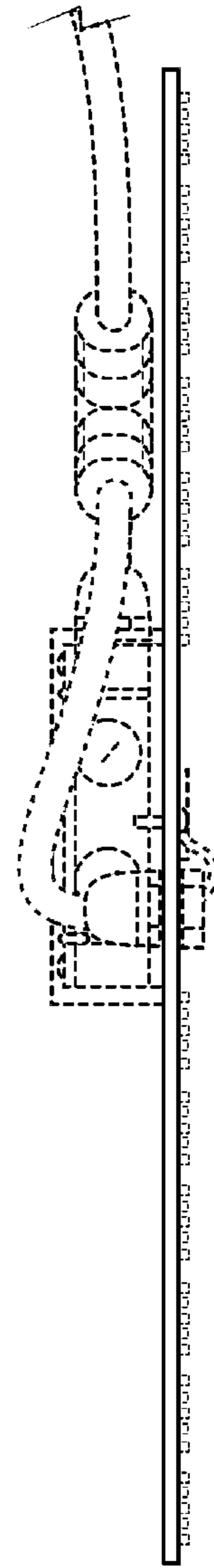


Fig. 6

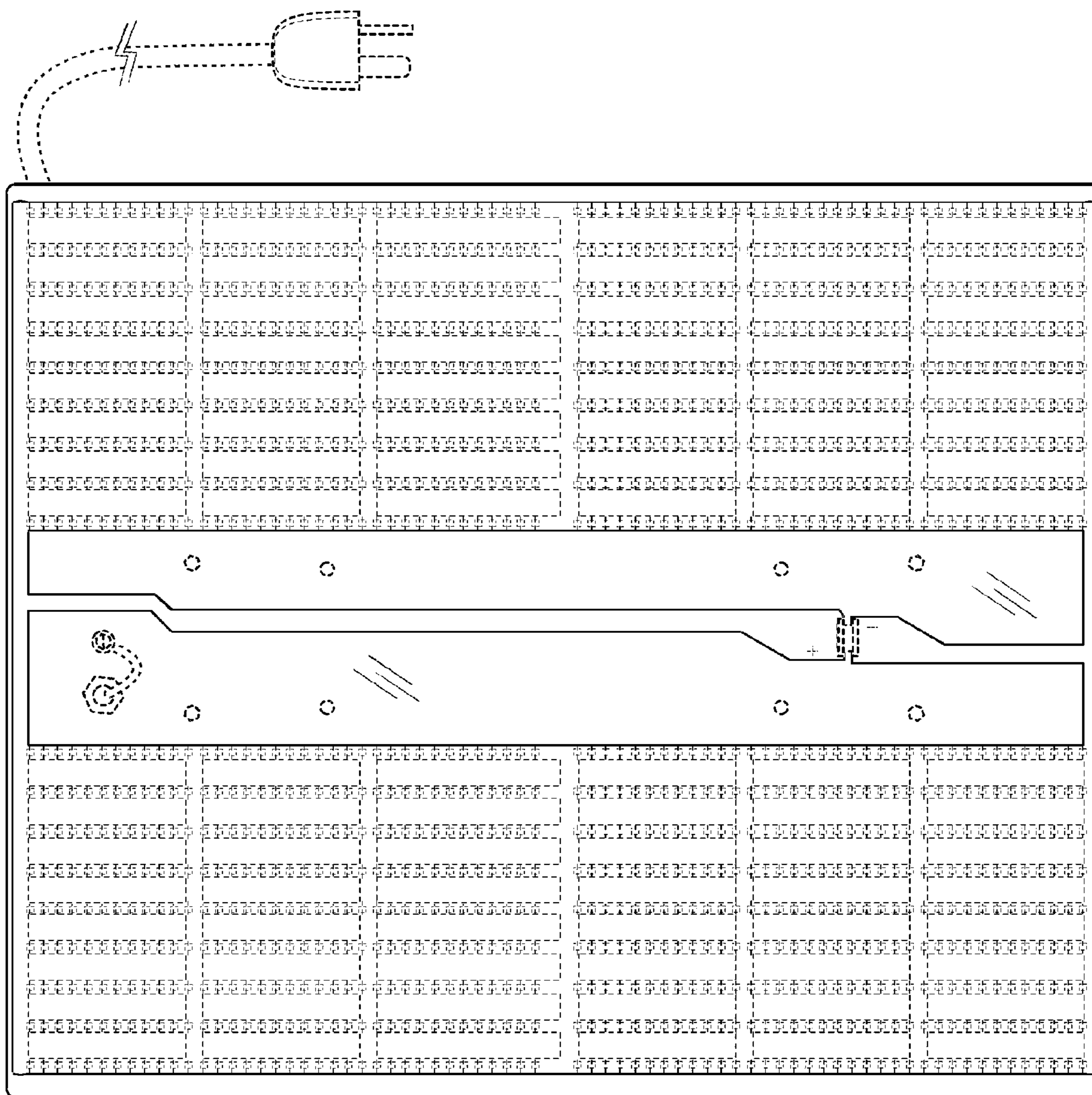


Fig. 7

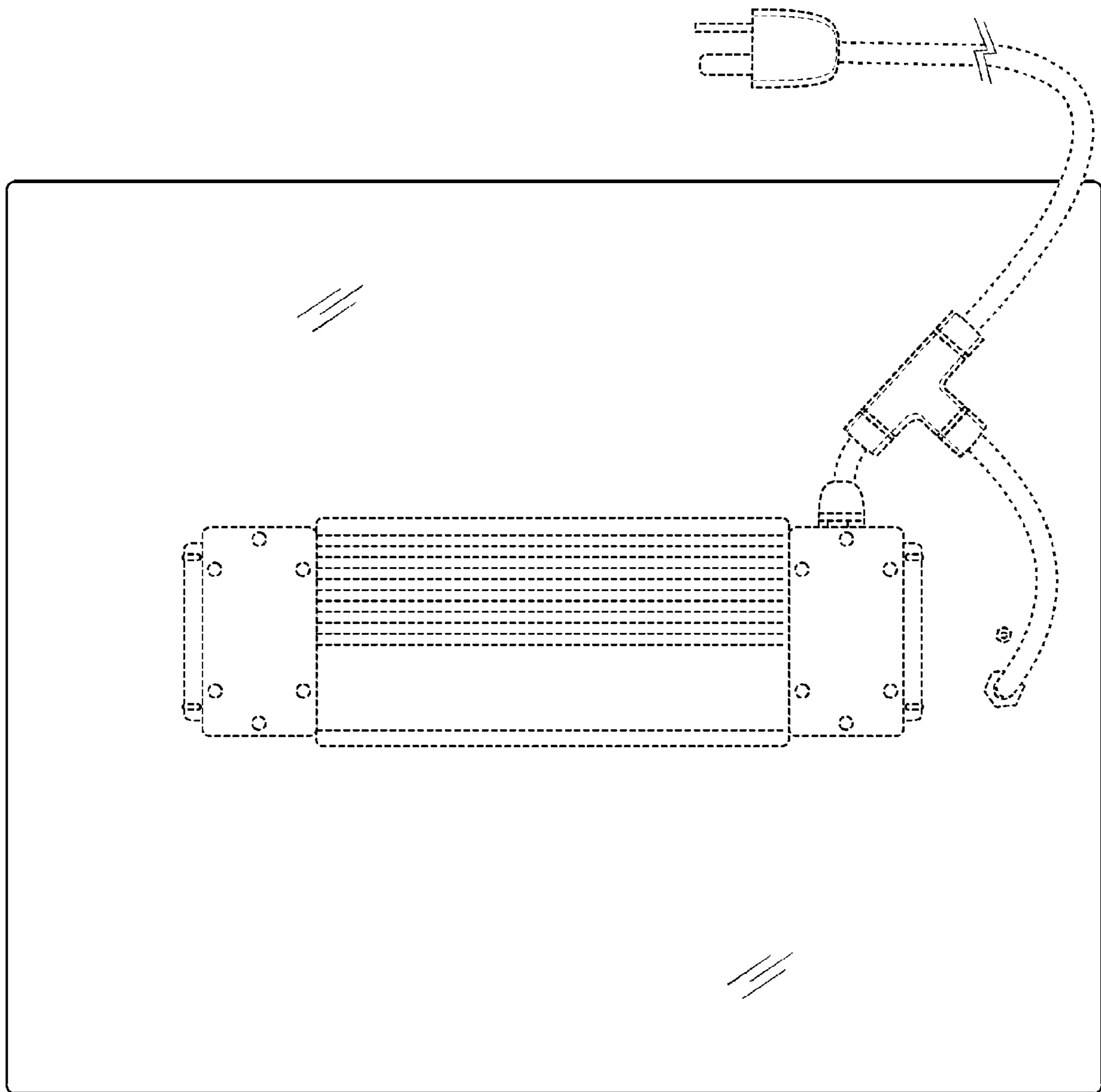


Fig. 8



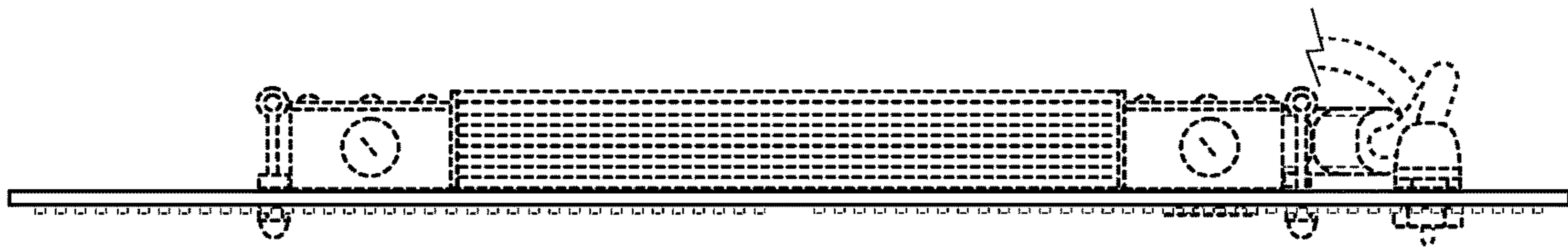


Fig. 9

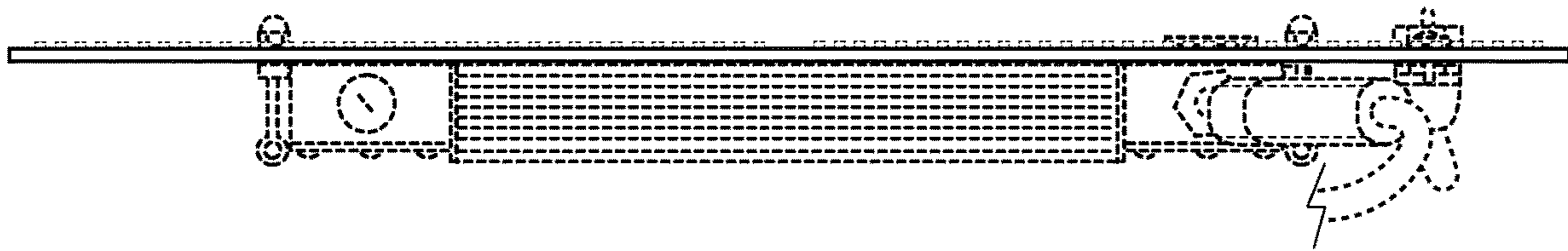


Fig. 10

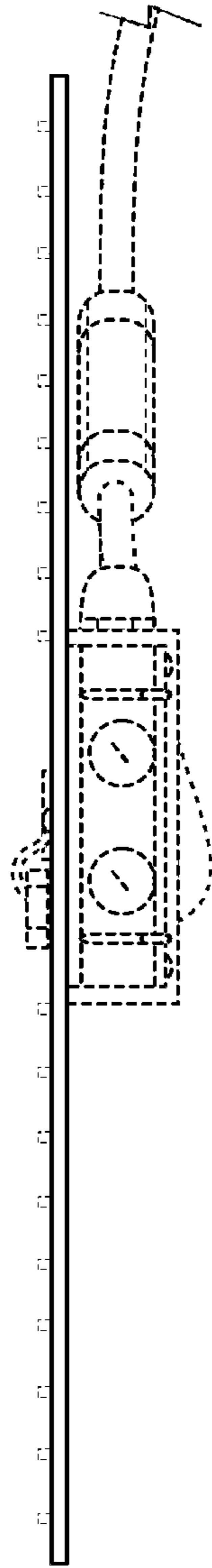


Fig. 11

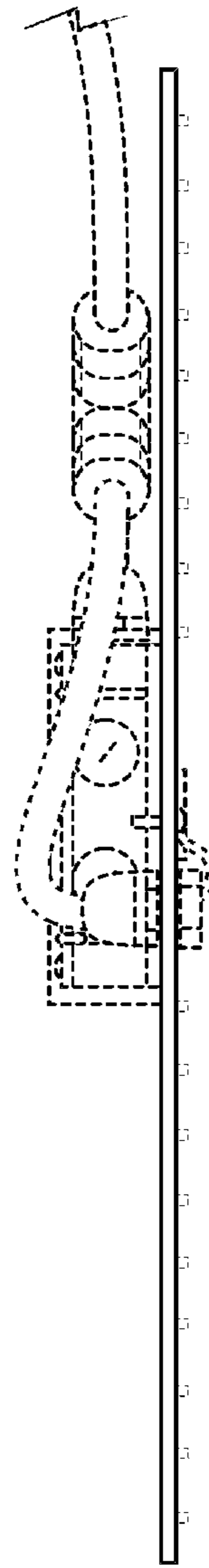


Fig. 12